



US00D922499S

(12) **United States Design Patent**  
**Chen**

(10) **Patent No.:** **US D922,499 S**

(45) **Date of Patent:** **\*\* Jun. 15, 2021**

(54) **3D PUZZLE TOY**

(71) Applicant: **SHENZHEN HONGYUHAO TRADING CO., LTD.**, Shenzhen (CN)

(72) Inventor: **Yi Chen**, Nanyang (CN)

(73) Assignee: **SHENZHEN HONGYUHAO TRADING CO., LTD.**, Shenzhen (CN)

(\*\*) Term: **15 Years**

(21) Appl. No.: **29/768,375**

(22) Filed: **Jan. 29, 2021**

(51) **LOC (13) Cl.** ..... **21-01**

(52) **U.S. Cl.**  
USPC ..... **D21/479**

(58) **Field of Classification Search**  
USPC ..... D21/478-479, 650, 592, 620, 615-616;  
D11/83, 159  
CPC ..... A63H 3/16; A63H 13/02  
See application file for complete search history.

(56) **References Cited**

**U.S. PATENT DOCUMENTS**

D135,879 S \* 6/1943 Rebolz ..... D21/608  
D257,369 S \* 10/1980 Kodaka ..... D21/615

D272,427 S \* 1/1984 Moyet ..... D11/162  
D362,496 S \* 9/1995 Clayton ..... D20/30  
D599,416 S 9/2009 Turco-Rivas  
D885,496 S 5/2020 Xianxin

\* cited by examiner

*Primary Examiner* — George D. Kirschbaum

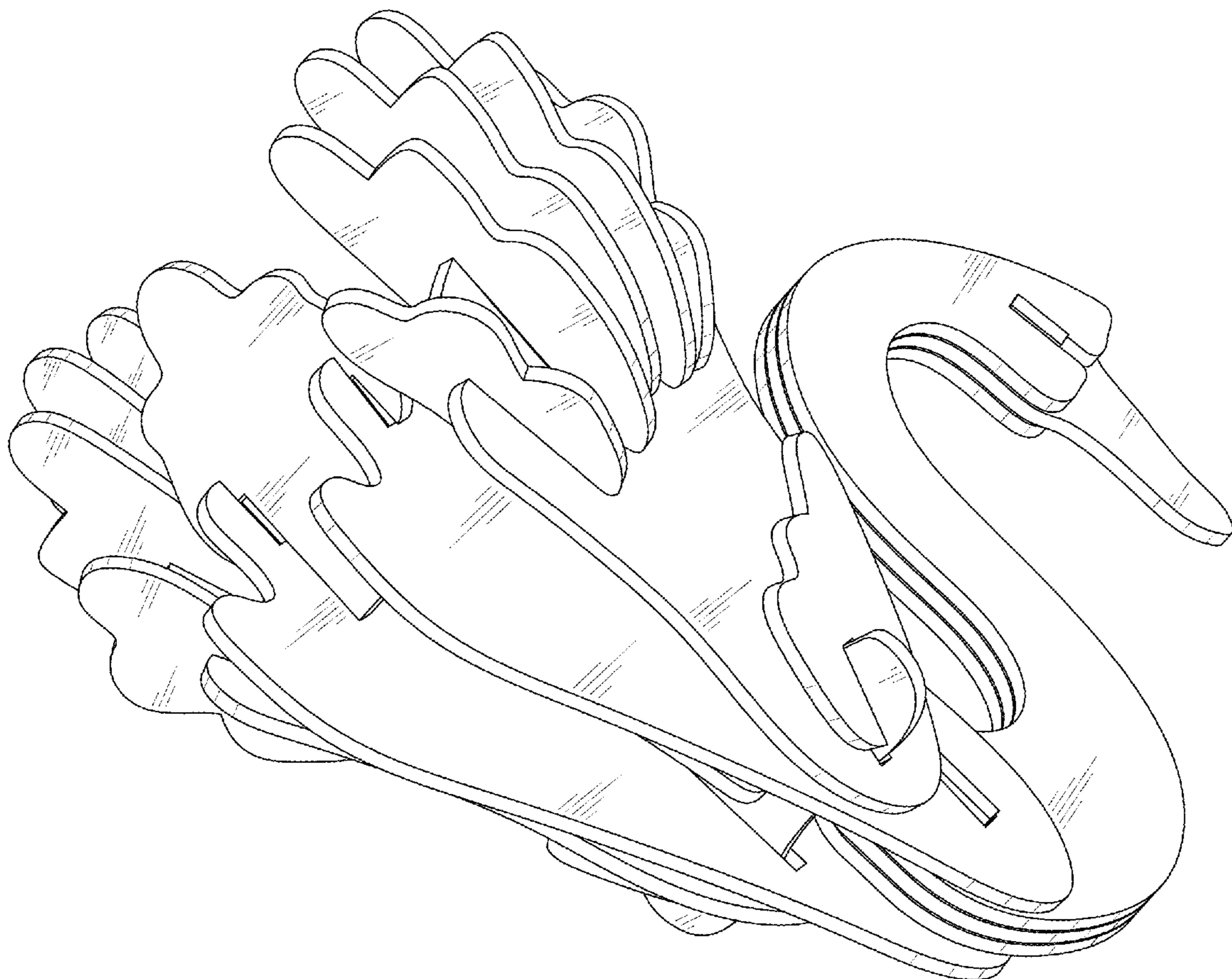
(57) **CLAIM**

The ornamental design for a 3D puzzle toy, as shown and described.

**DESCRIPTION**

FIG. 1 is a perspective view of a 3D puzzle toy showing my new design;  
FIG. 2 is another perspective view thereof;  
FIG. 3 is a front elevational view thereof;  
FIG. 4 is a rear elevational view thereof;  
FIG. 5 is a left side elevational view thereof;  
FIG. 6 is a right side elevational view thereof;  
FIG. 7 is a top plan view thereof;  
FIG. 8 is a bottom plan view thereof; and,  
FIG. 9 is an exploded perspective view of the 3D puzzle toy.

**1 Claim, 9 Drawing Sheets**



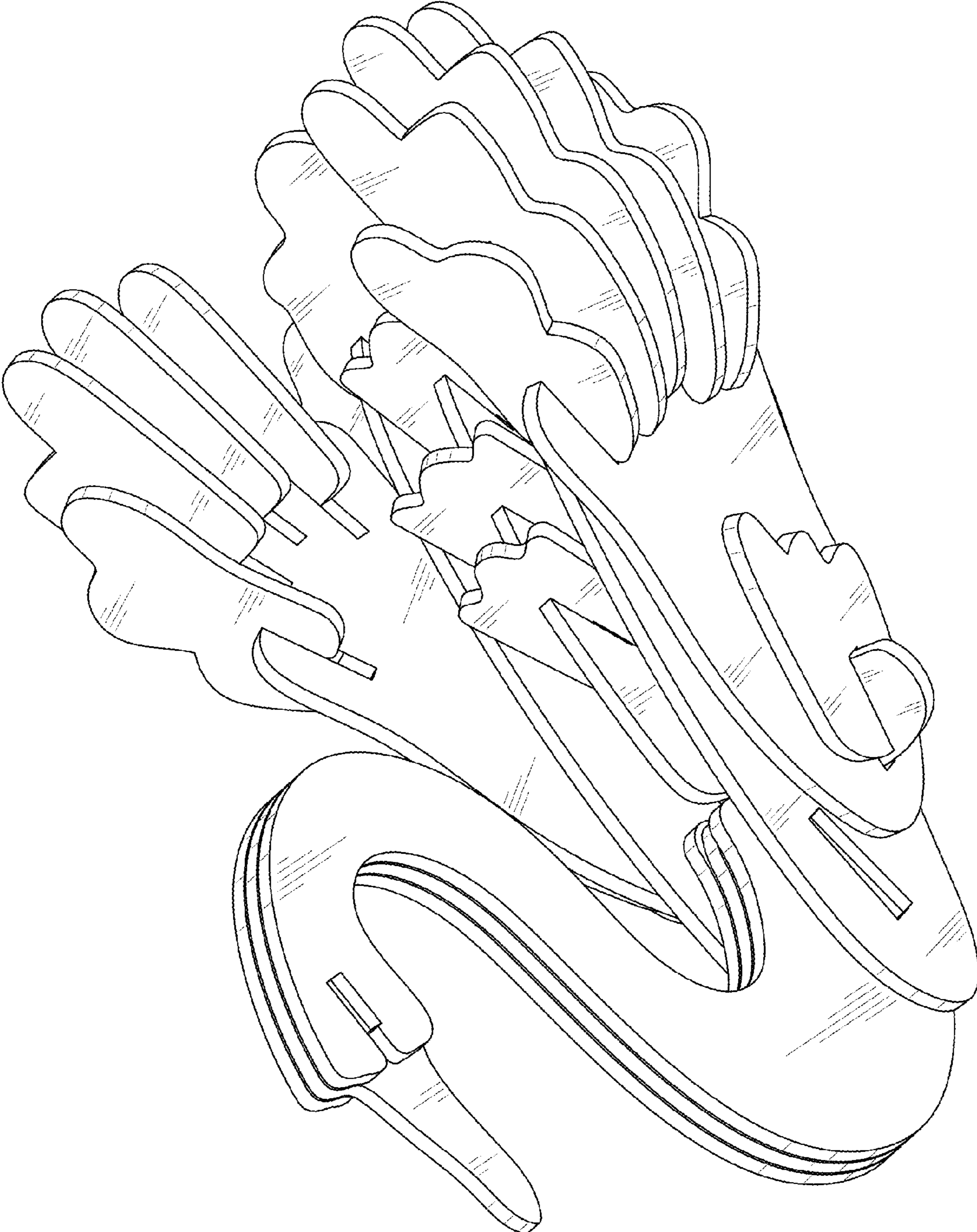


FIG. 1



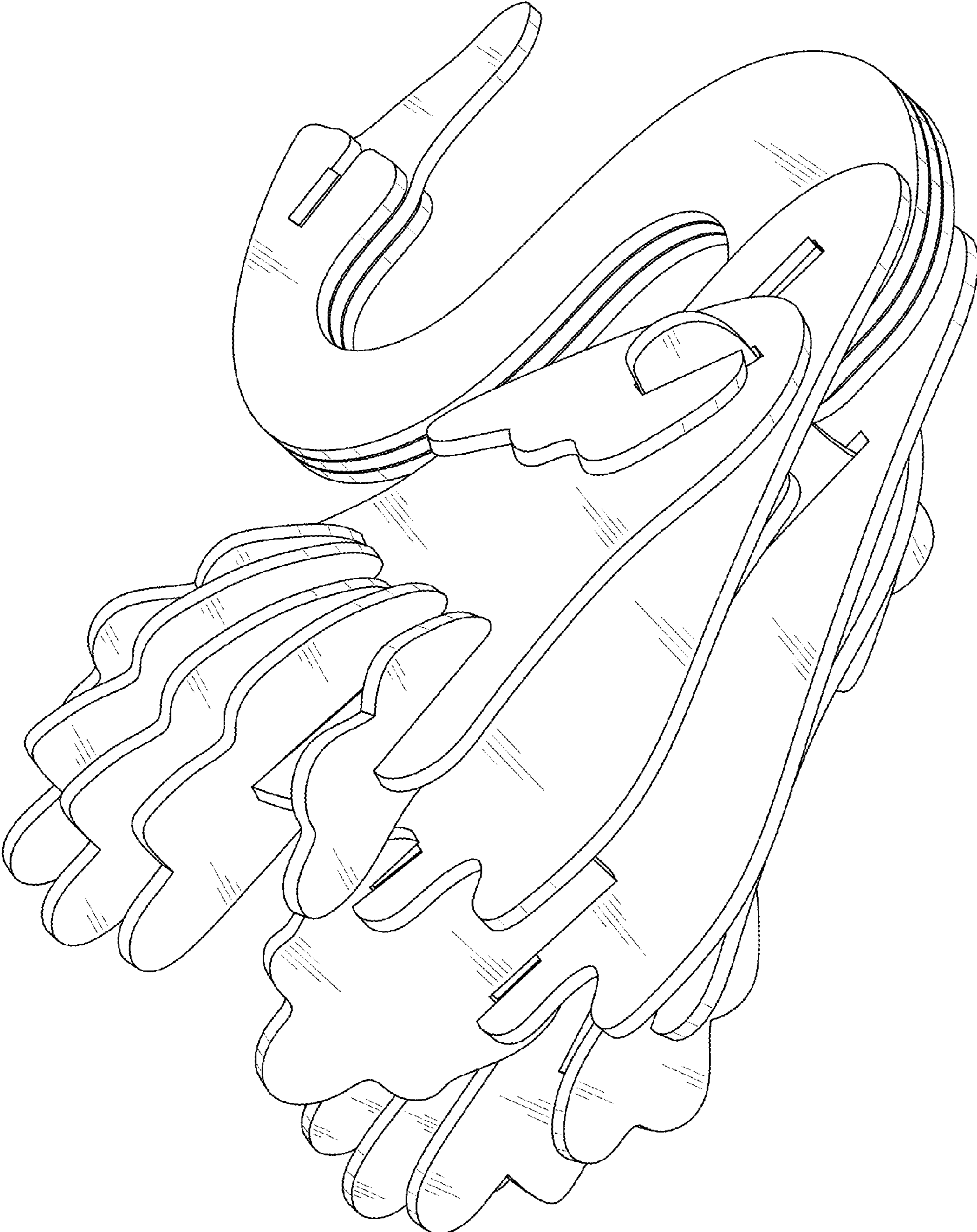


FIG. 2

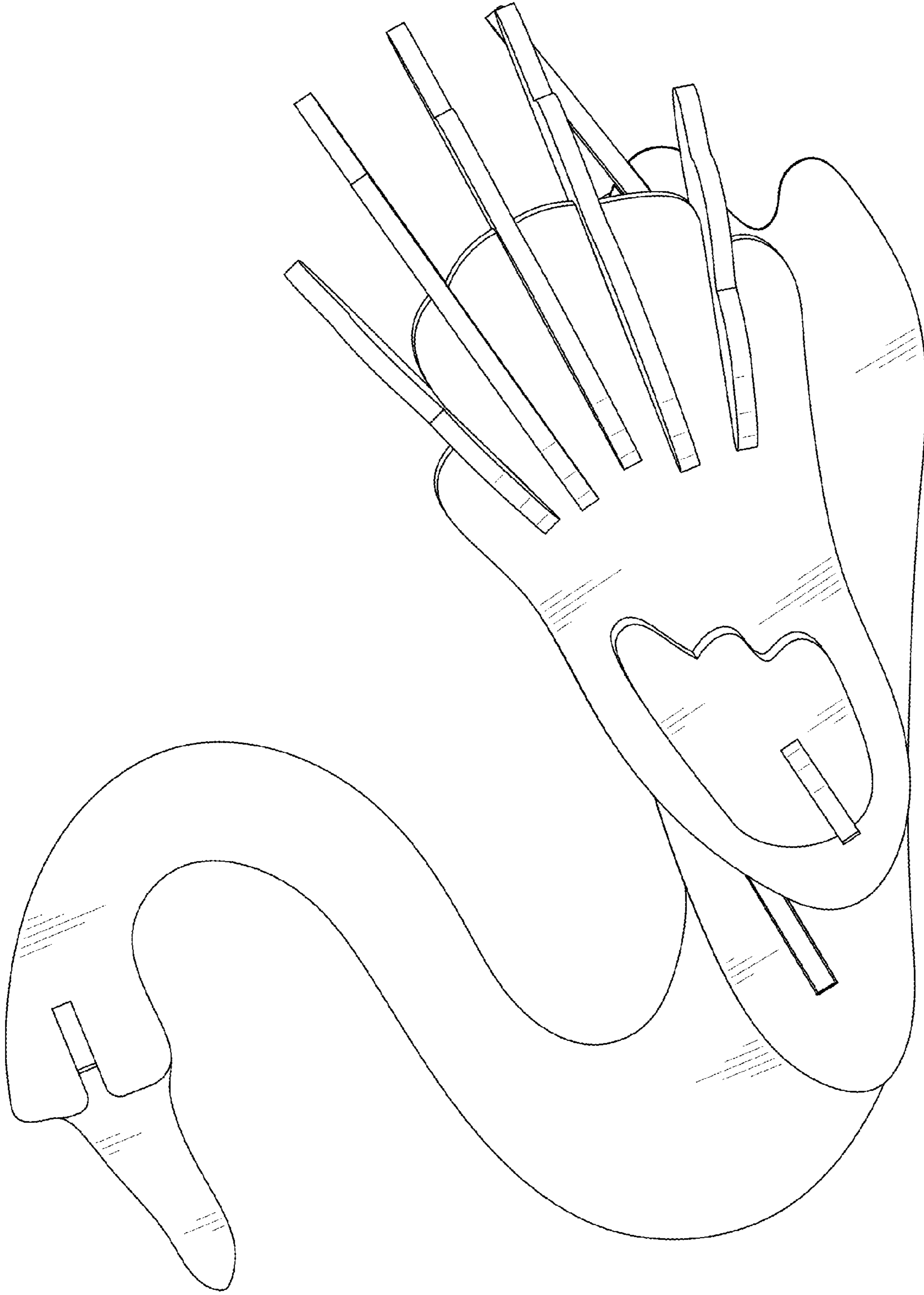


FIG. 3

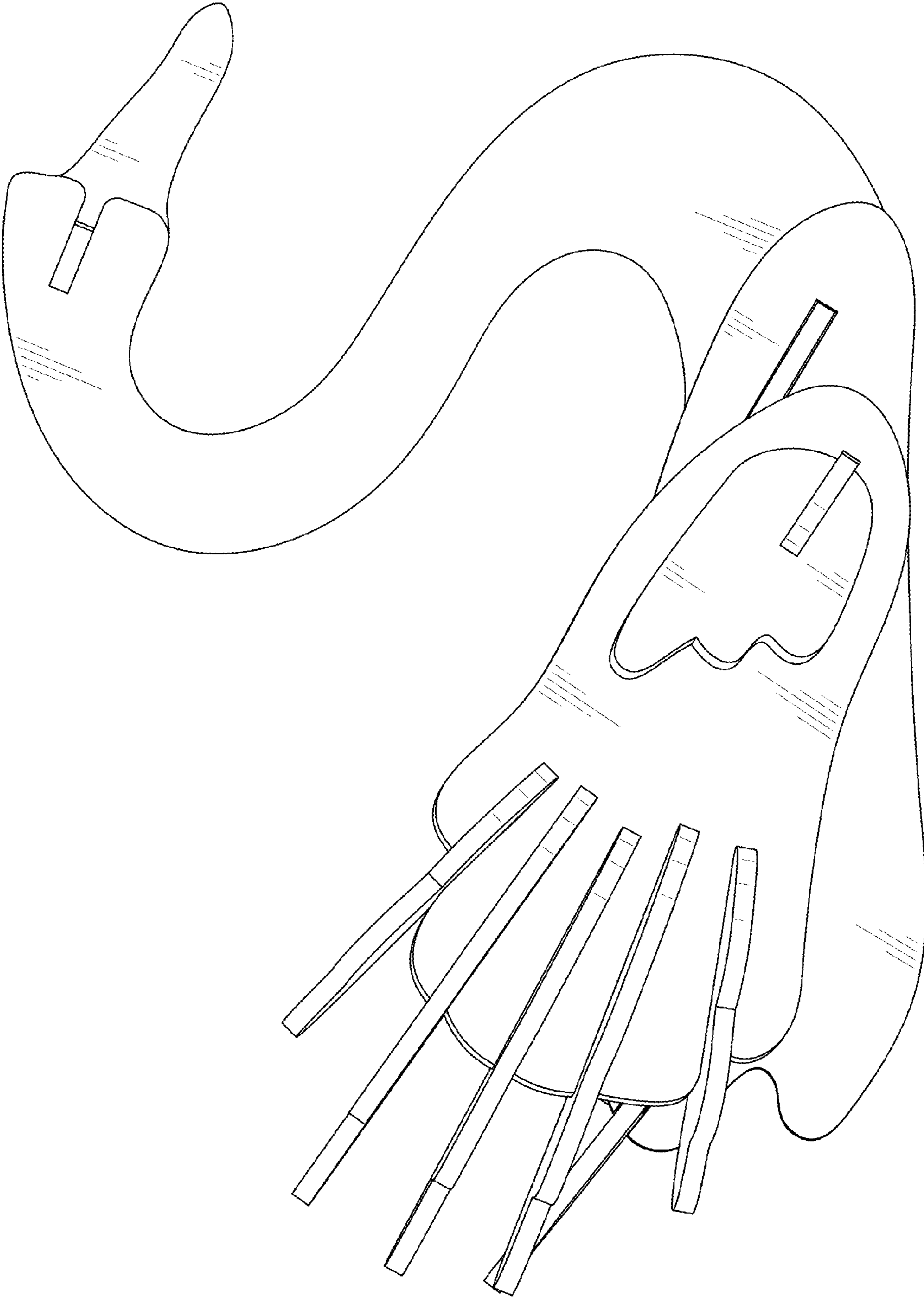


FIG. 4

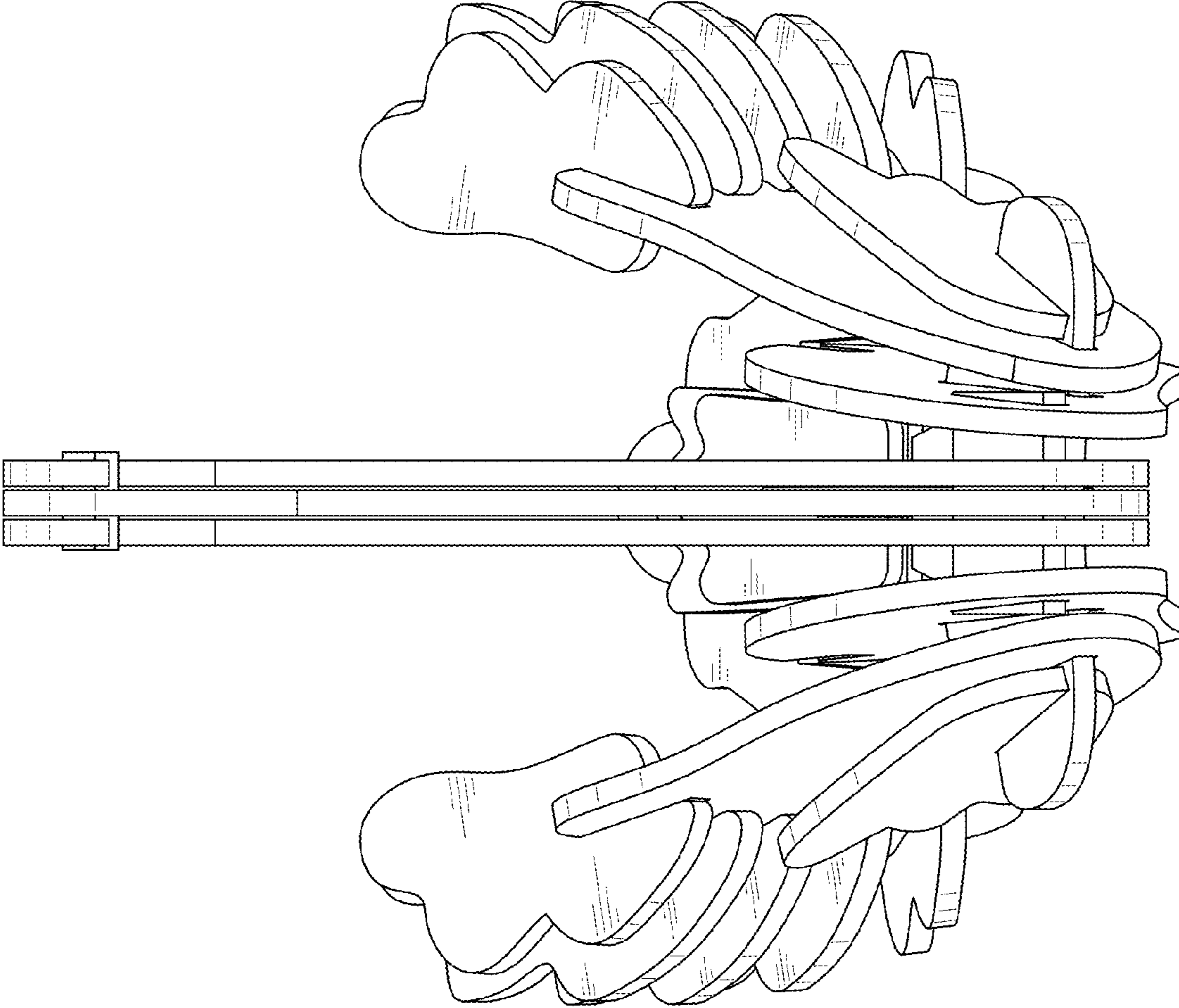


FIG. 5

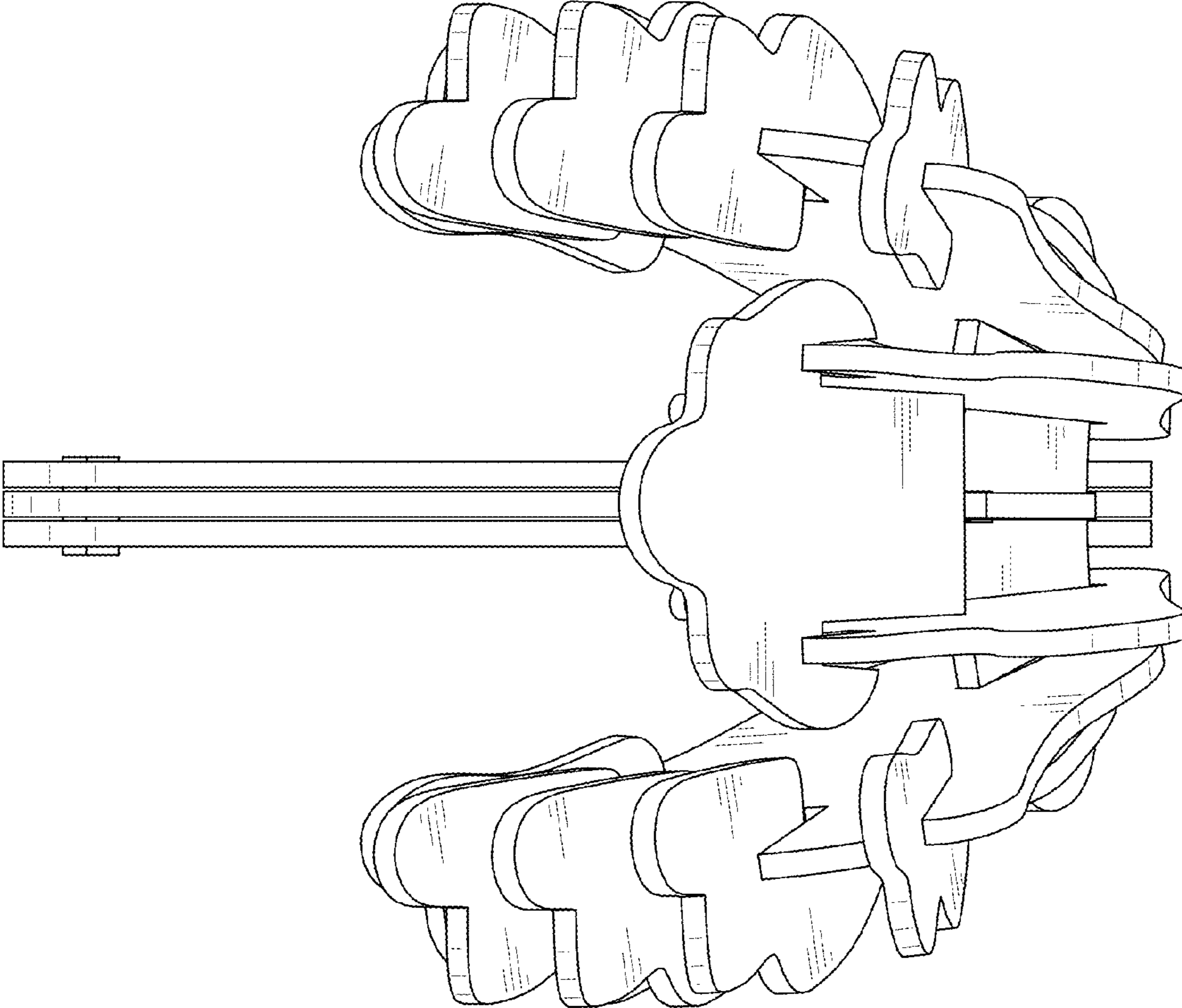


FIG. 6



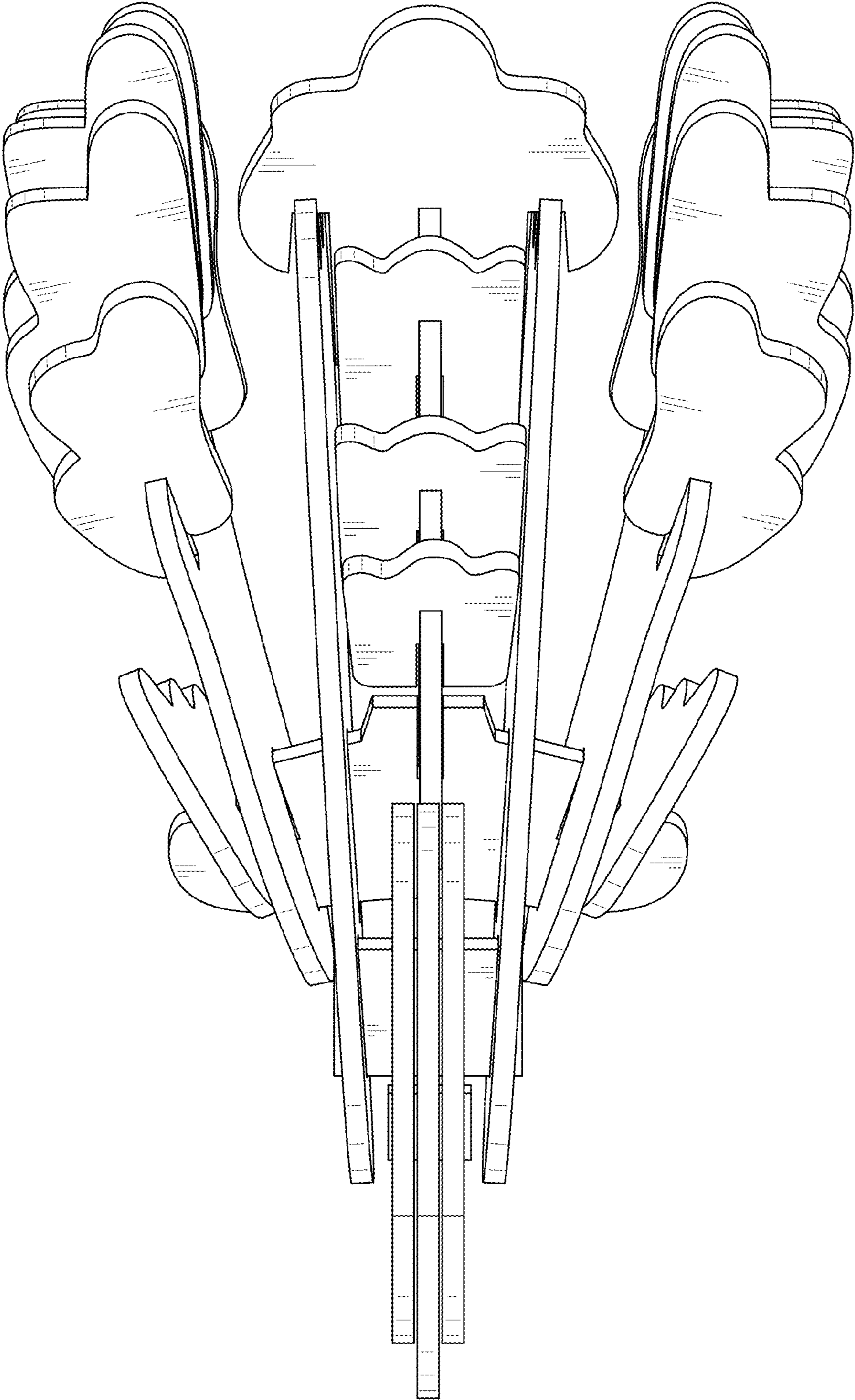


FIG. 7



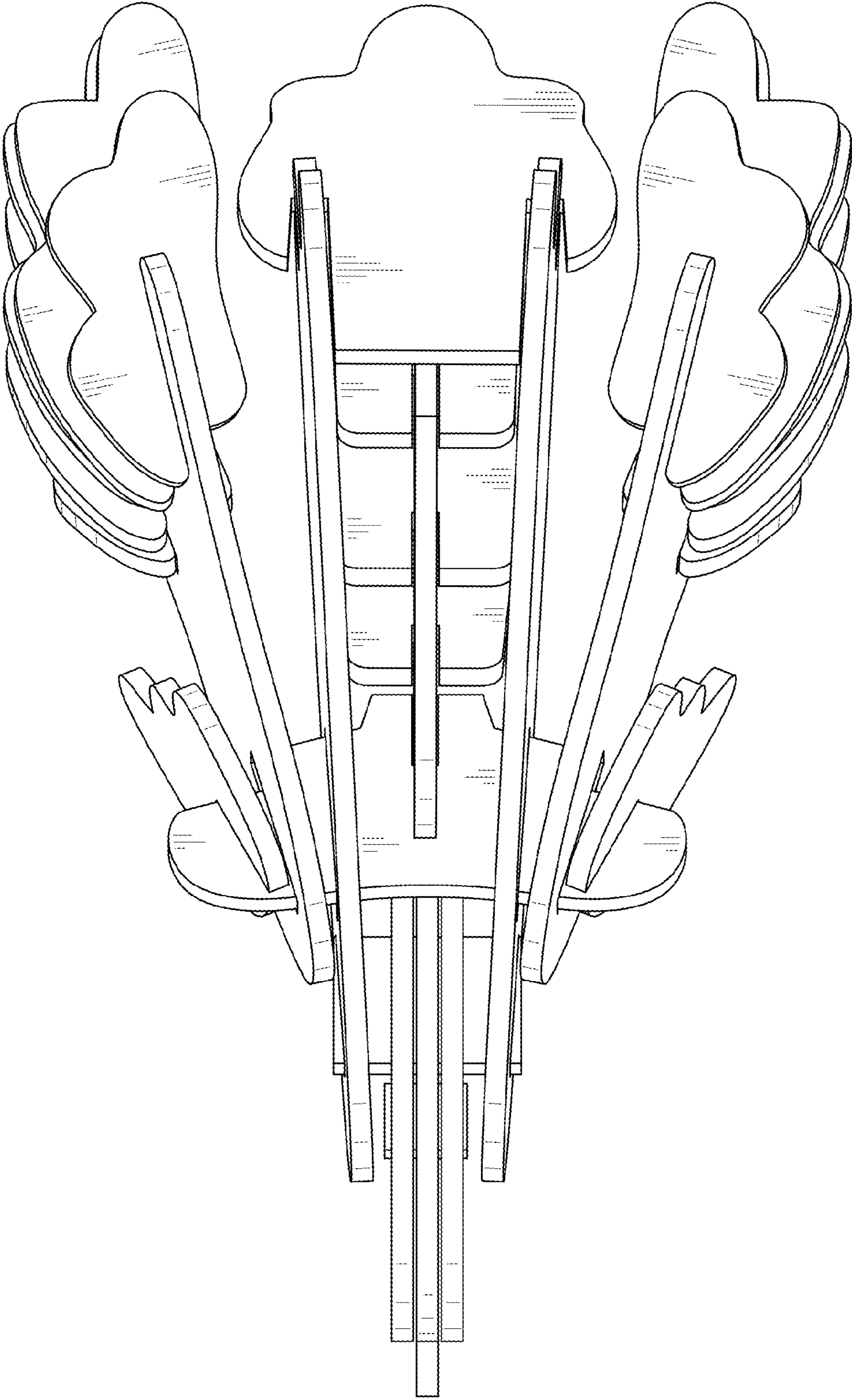


FIG. 8

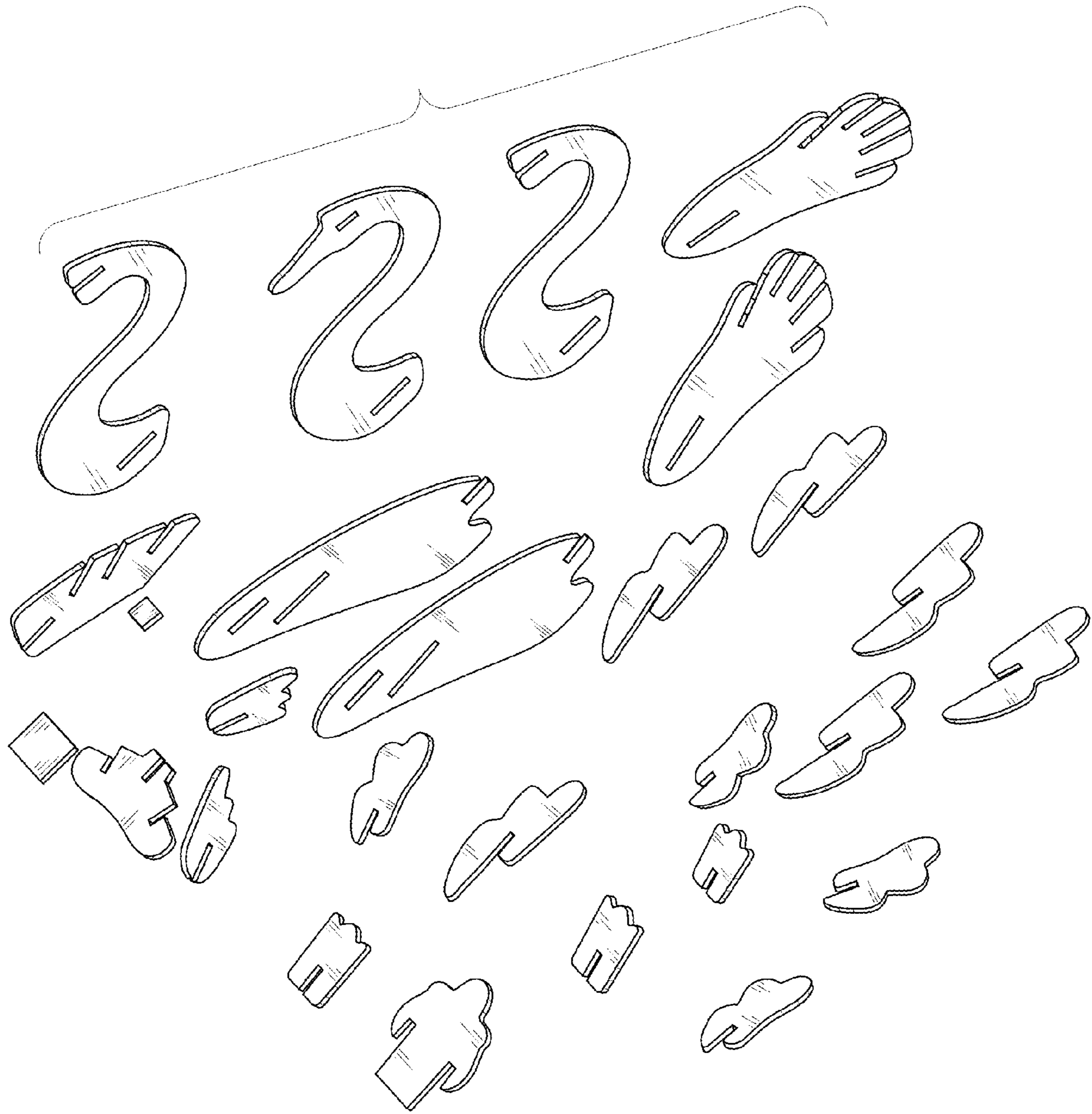


FIG. 9