



US00D922493S

(12) **United States Design Patent**
Zhu

(10) **Patent No.:** **US D922,493 S**

(45) **Date of Patent:** **** Jun. 15, 2021**

- (54) **SILICONE COVER FOR GAME CONTROLLER**
- (71) Applicant: **Jiarui Zhu**, Zhongshan (CN)
- (72) Inventor: **Jiarui Zhu**, Zhongshan (CN)
- (**) Term: **15 Years**
- (21) Appl. No.: **29/754,586**
- (22) Filed: **Oct. 13, 2020**
- (51) **LOC (13) Cl.** **21-01**
- (52) **U.S. Cl.**
USPC **D21/333**
- (58) **Field of Classification Search**
USPC D21/324–29, 330, 331, 333, 341, 342, D21/349, 386; D14/137, 138, 160, 168, D14/174, 177, 190, 217, 218, 250, 299, D14/322, 341, 345, 346, 353, 354, 356, D14/387, 388, 389, 399–401, 412–416, D14/421, 432, 440, 443, 449, 450, 454, D14/463, 471, 474, 483, 493, 496, 511; D22/100, 103–105; D13/162, 162.1, 168; D10/78, 98, 103; D12/174, 177, 190, D12/218; D18/10
CPC A45C 13/00; A45C 13/001; A45C 13/002; A63F 13/10; A63F 13/98; A63F 13/24; A63F 9/0291; A63F 13/06; A63F 13/02; A63F 9/00; A63F 9/24; A63F 11/00; G06F 3/0338; G06F 3/014; G06F 3/0346; G06F 1/1666; G06F 17/00; G06F 19/00; G06T 7/246; H04N 21/00; H04N 7/14; C09J 7/38
See application file for complete search history.

D712,484 S *	9/2014	Sumii	D21/333
D712,973 S *	9/2014	Sumii	D21/333
D718,818 S *	12/2014	Sumii	D21/333
D733,802 S *	7/2015	Burgess	D21/333
D806,078 S *	12/2017	Goldman	D14/401
D816,083 S *	4/2018	Wu	D14/401
D816,170 S *	4/2018	Chatterjee	D21/333
D816,674 S *	5/2018	Wu	D14/401
D816,773 S *	5/2018	Chatterjee	D21/333
D819,641 S *	6/2018	Tsuchiya	D14/401
D823,945 S *	7/2018	Falc	D21/333
D842,301 S *	3/2019	Chou	D14/410
D845,395 S *	4/2019	Strahle	D21/333
D856,334 S *	8/2019	Salter	D14/401
D864,302 S *	10/2019	Strahle	D21/333
D866,664 S *	11/2019	Strahle	D21/333

(Continued)

OTHER PUBLICATIONS

“eXtremeRated Play Vital Guardian Edision Sakura Controller Skin”, posted Oct. 18, 2020 [Online], [retrieved Dec. 27, 2020], Retrieved from Internet, https://www.amazon.com/eXtremeRate-PlayVital-Ergonomic-Anti-Slip-Controller/dp/B08NT48CPB.*

Primary Examiner — Sandra Snapp
Assistant Examiner — Mehri Bajoul

(57) **CLAIM**

The ornamental design for a silicone cover for game controller, as shown and described.

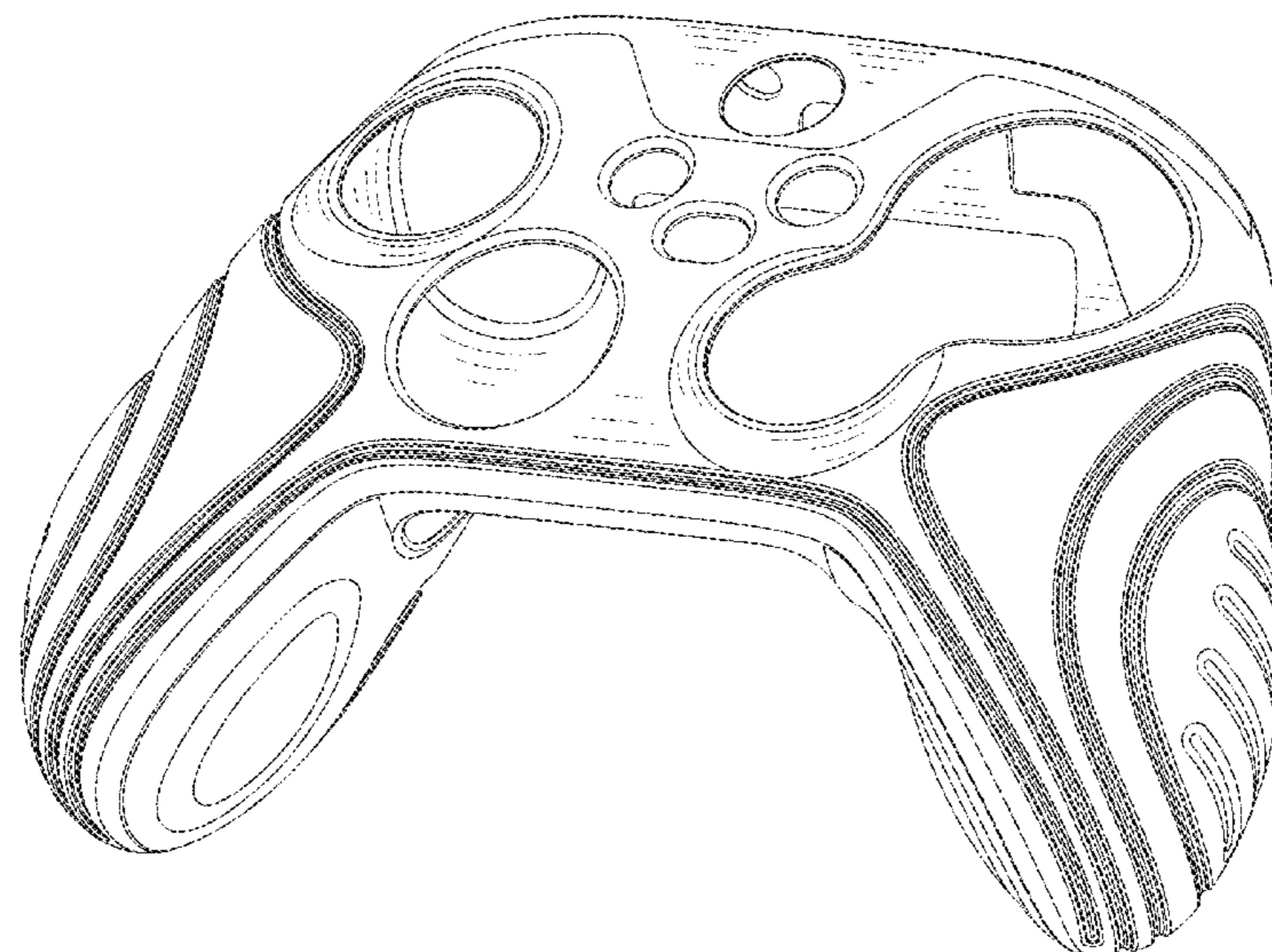
DESCRIPTION

FIG. 1 is a front perspective view of a silicone cover for game controller, showing my new design; FIG. 2 is a rear perspective view thereof; FIG. 3 is a front elevational view thereof; FIG. 4 is a rear elevational view thereof; FIG. 5 is a left side elevational view thereof; FIG. 6 is a right side elevational view thereof; FIG. 7 is a top plan view thereof; and, FIG. 8 is a bottom plan view thereof.

1 Claim, 8 Drawing Sheets

(56) **References Cited**
U.S. PATENT DOCUMENTS

D410,643 S *	6/1999	Tonino	D14/401
D424,047 S *	5/2000	Chan	D14/401
D545,317 S *	6/2007	Wang	D14/401



(56)

References Cited

U.S. PATENT DOCUMENTS

D868,898 S *	12/2019	Fei	D21/333
D872,183 S *	1/2020	Chatterjee	D21/333
D882,690 S *	4/2020	Tsuchiya	D21/333
D902,938 S *	11/2020	Buller	D14/454
2013/0130800 A1 *	5/2013	Sirilux	A63F 13/31 463/37

* cited by examiner

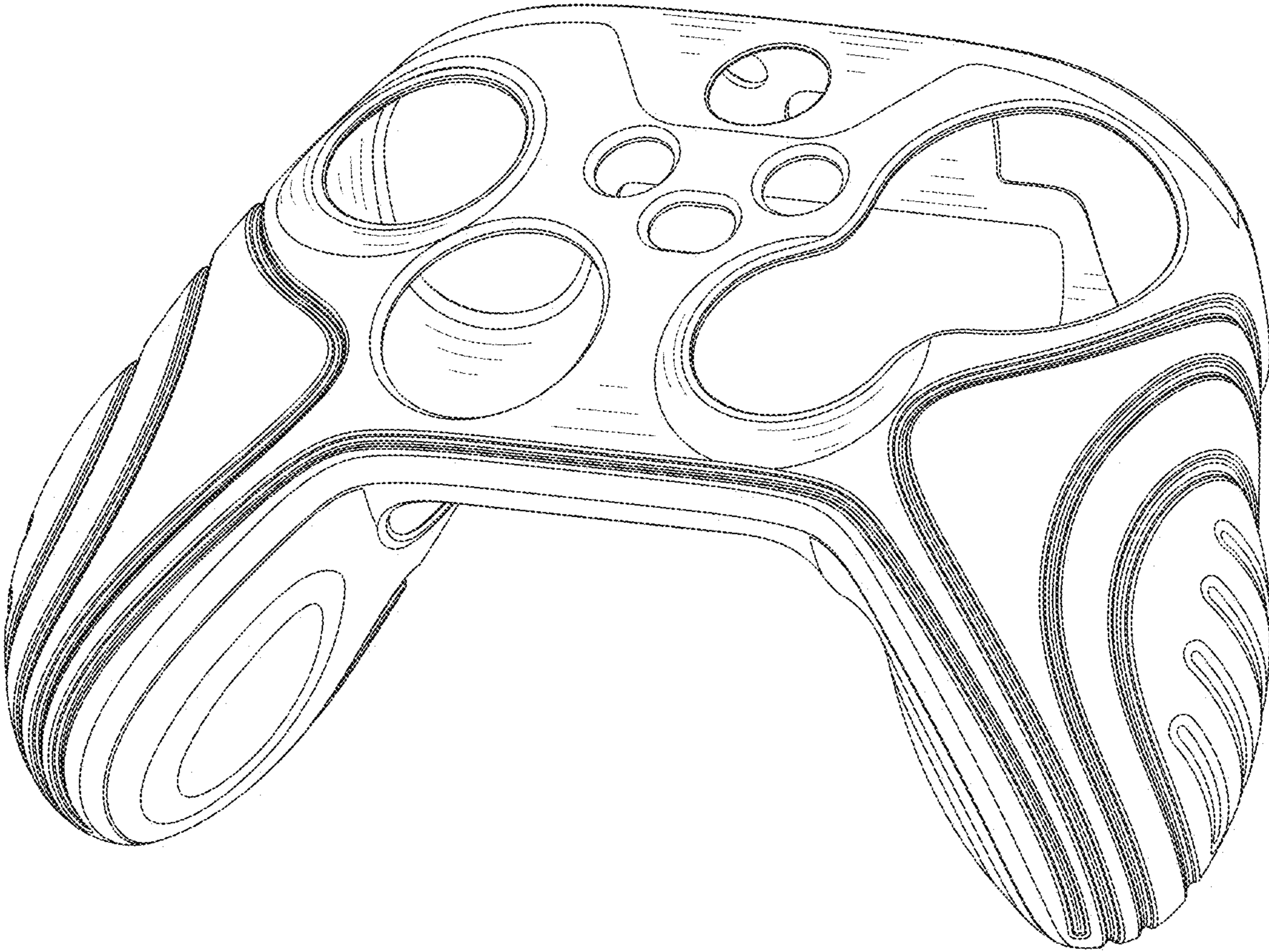


FIG. 1

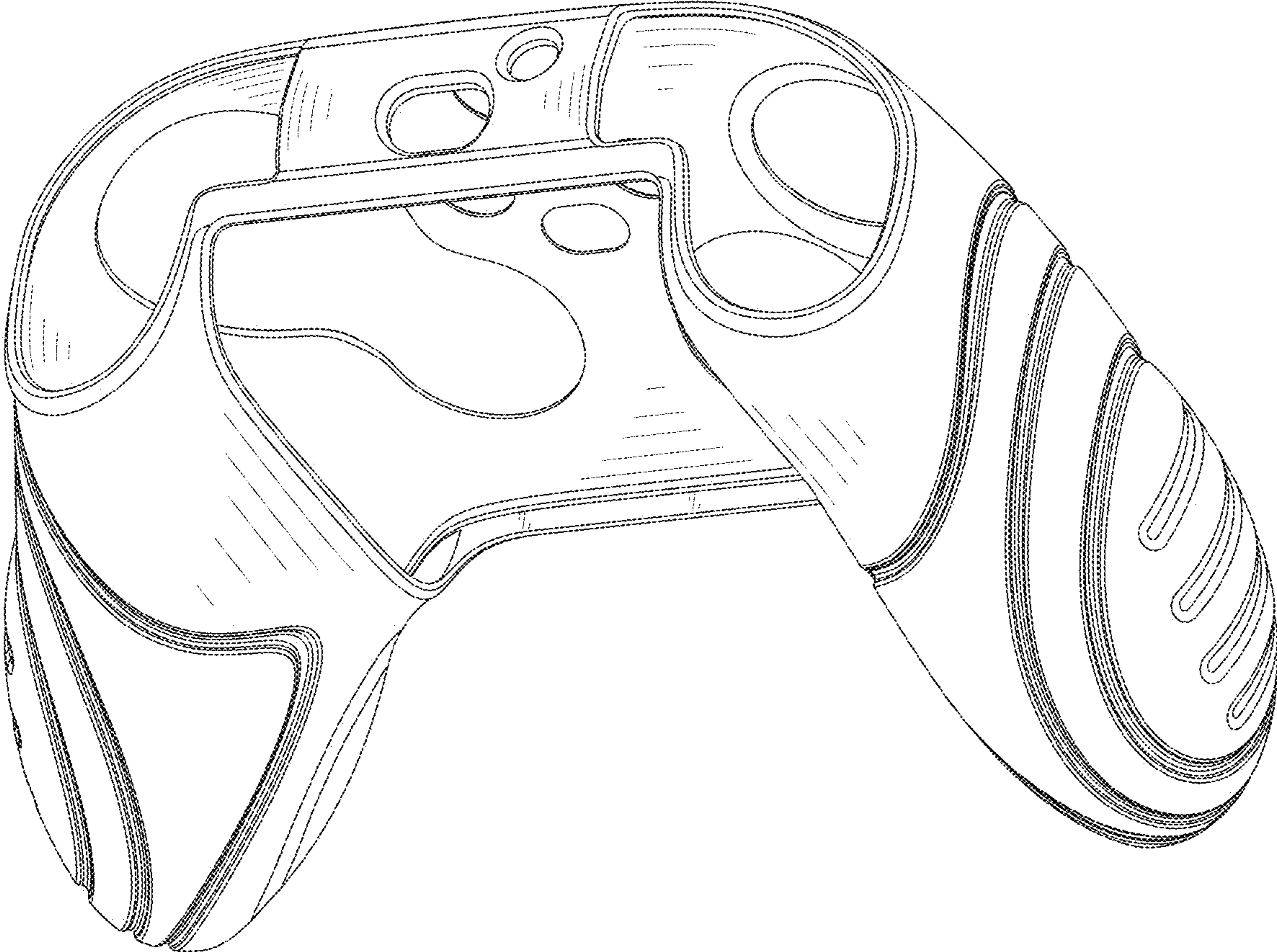


FIG. 2

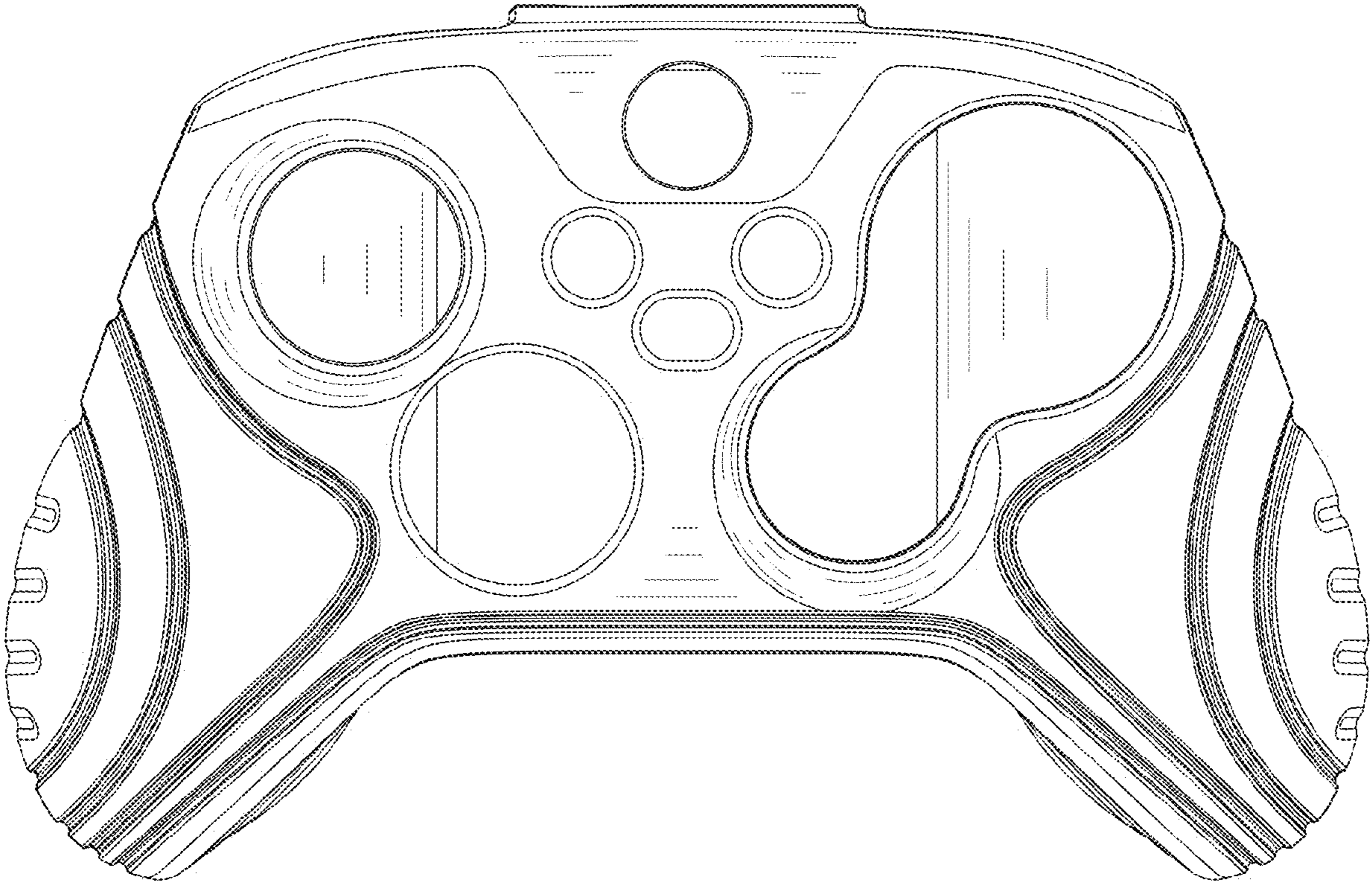


FIG. 3

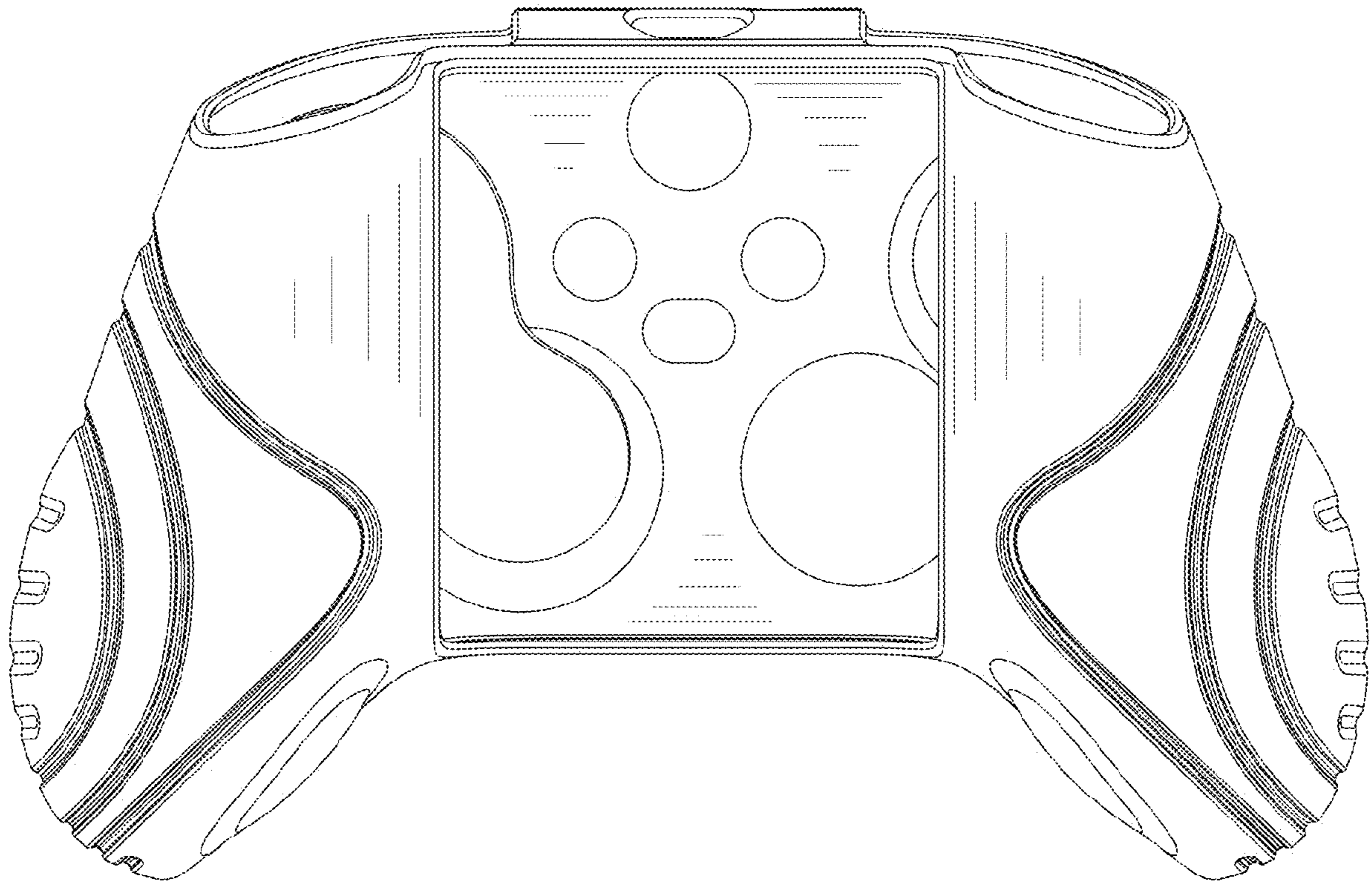


FIG. 4

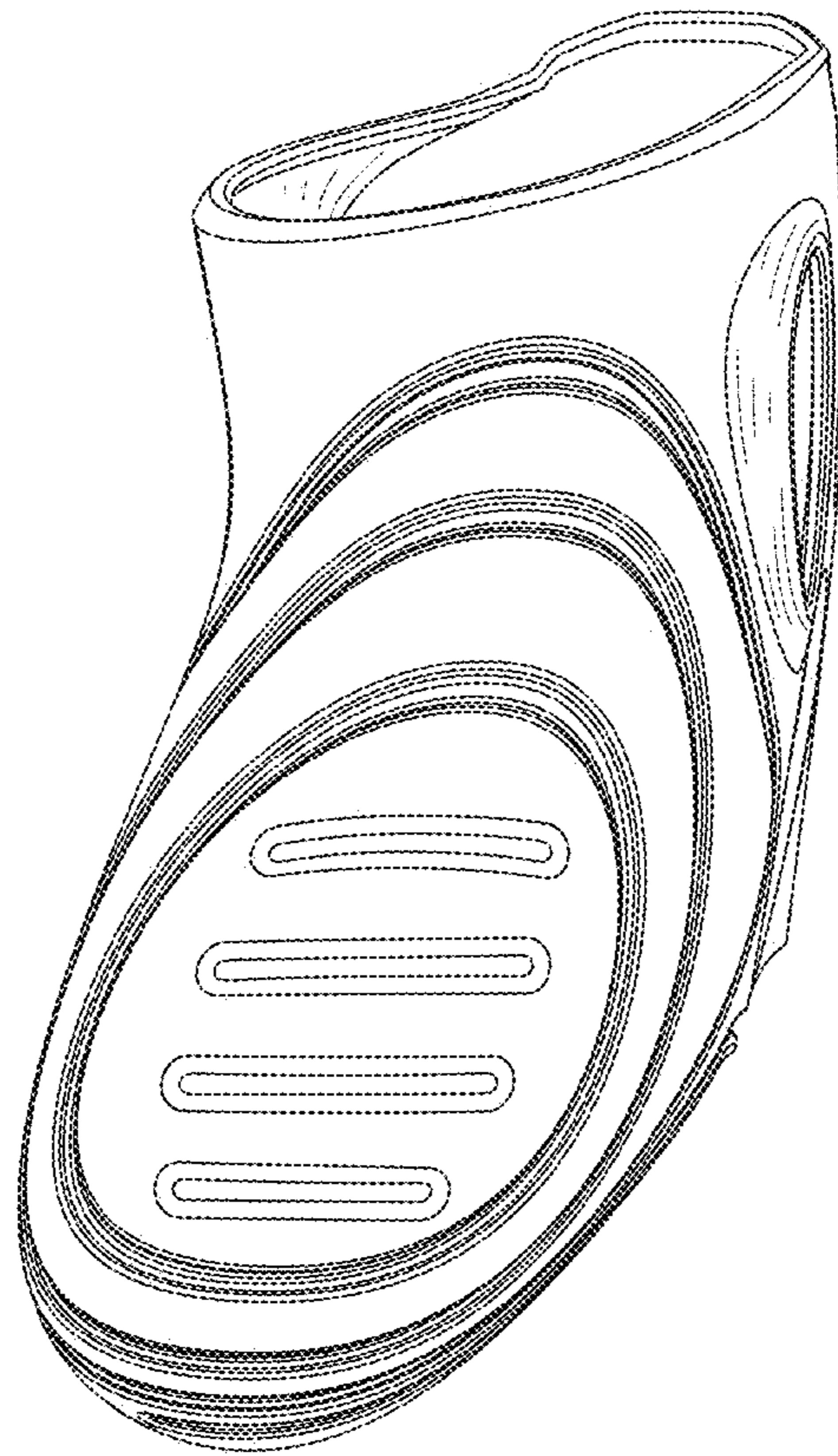


FIG. 5

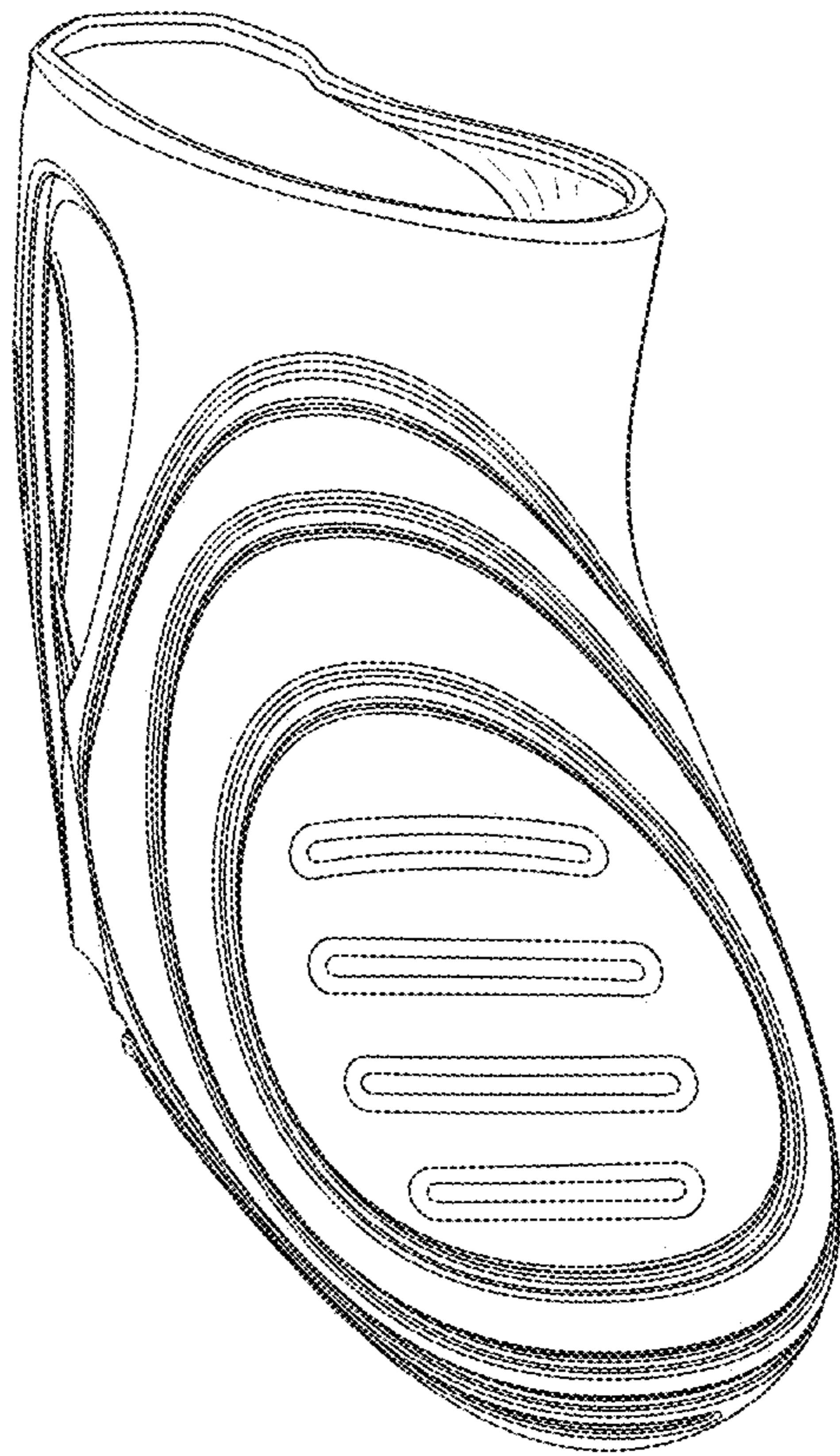


FIG. 6

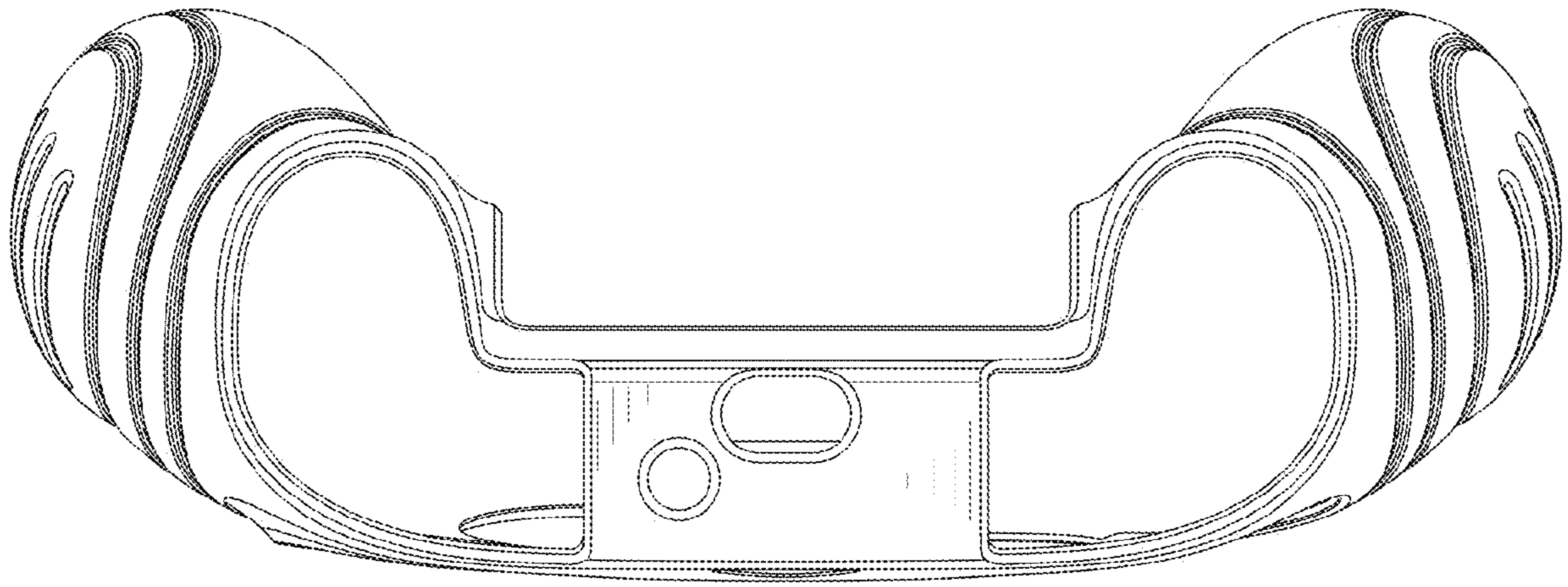


FIG. 7

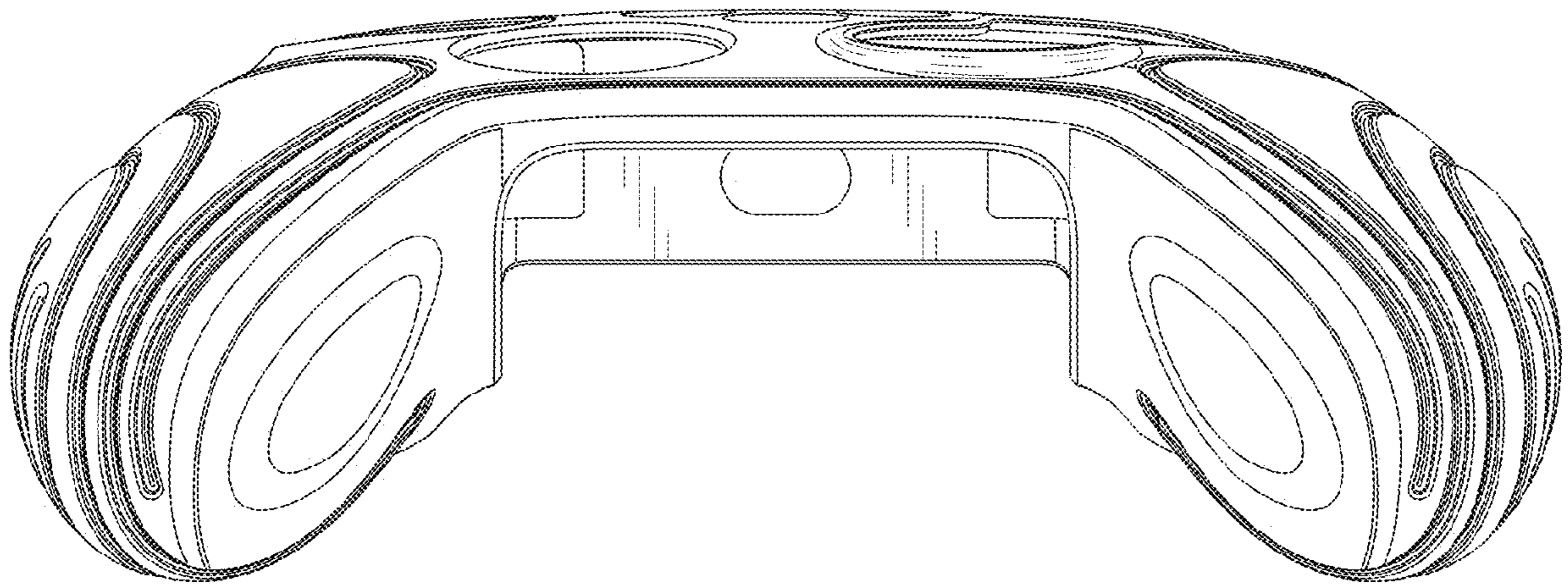


FIG. 8