



US00D922491S

(12) **United States Design Patent** (10) **Patent No.:** **US D922,491 S**  
**Xie** (45) **Date of Patent:** **\*\* Jun. 15, 2021**

(54) **DOCK FOR ELECTRONIC GAME DEVICES**

D755,716 S \* 5/2016 Navid ..... D13/108  
D811,483 S \* 2/2018 Sumii ..... D21/332  
D826,334 S \* 8/2018 Christie ..... D21/332

(71) Applicant: **Yun Xie**, Shenzhen (CN)

(72) Inventor: **Yun Xie**, Shenzhen (CN)

(\*\*) Term: **15 Years**

(21) Appl. No.: **29/648,603**

(22) Filed: **May 22, 2018**

(30) **Foreign Application Priority Data**

Nov. 29, 2017 (CN) ..... 201730596641.2

(51) **LOC (13) Cl.** ..... **21-01**

(52) **U.S. Cl.**  
USPC ..... **D21/332**

(58) **Field of Classification Search**  
USPC ..... D21/332, 333, 386, 392, 397; D14/133,  
D14/140.7, 140.8, 144, 256, 356, 382,  
D14/435.1; D3/218  
CPC ..... A63F 13/02; A63F 2300/00; G06F 3/002  
See application file for complete search history.

(56) **References Cited**

**U.S. PATENT DOCUMENTS**

D308,361 S \* 6/1990 Nakamura ..... D14/368  
D314,560 S \* 2/1991 Muller ..... D14/242  
D322,599 S \* 12/1991 Machalek ..... D14/355  
D426,201 S \* 6/2000 Klinker ..... D14/356  
D431,032 S \* 9/2000 Sasago ..... D14/135  
D437,316 S \* 2/2001 Lin ..... D14/301  
D452,688 S \* 1/2002 Goto ..... D14/356  
D491,191 S \* 6/2004 Wen ..... D14/496  
D520,999 S \* 5/2006 Woo ..... D14/356  
D522,508 S \* 6/2006 Chen ..... D14/356  
D556,836 S \* 12/2007 Ashida ..... D21/324  
D568,315 S \* 5/2008 Yano ..... D14/358  
D582,410 S \* 12/2008 Tsuboi ..... D14/356  
D595,696 S \* 7/2009 Greitzke ..... D14/218  
D647,901 S \* 11/2011 Lin ..... D14/356

**OTHER PUBLICATIONS**

“Jumpgate Nintendo Swirch”, posted Sep. 8, 2018 [online], [retrieved Sep. 15, 2019]. Retrieved from internet, <https://www.youtube.com/watch?v=ctWwoL4TX00>.\*

\* cited by examiner

*Primary Examiner* — Sandra Snapp  
*Assistant Examiner* — Mehri Bajoul

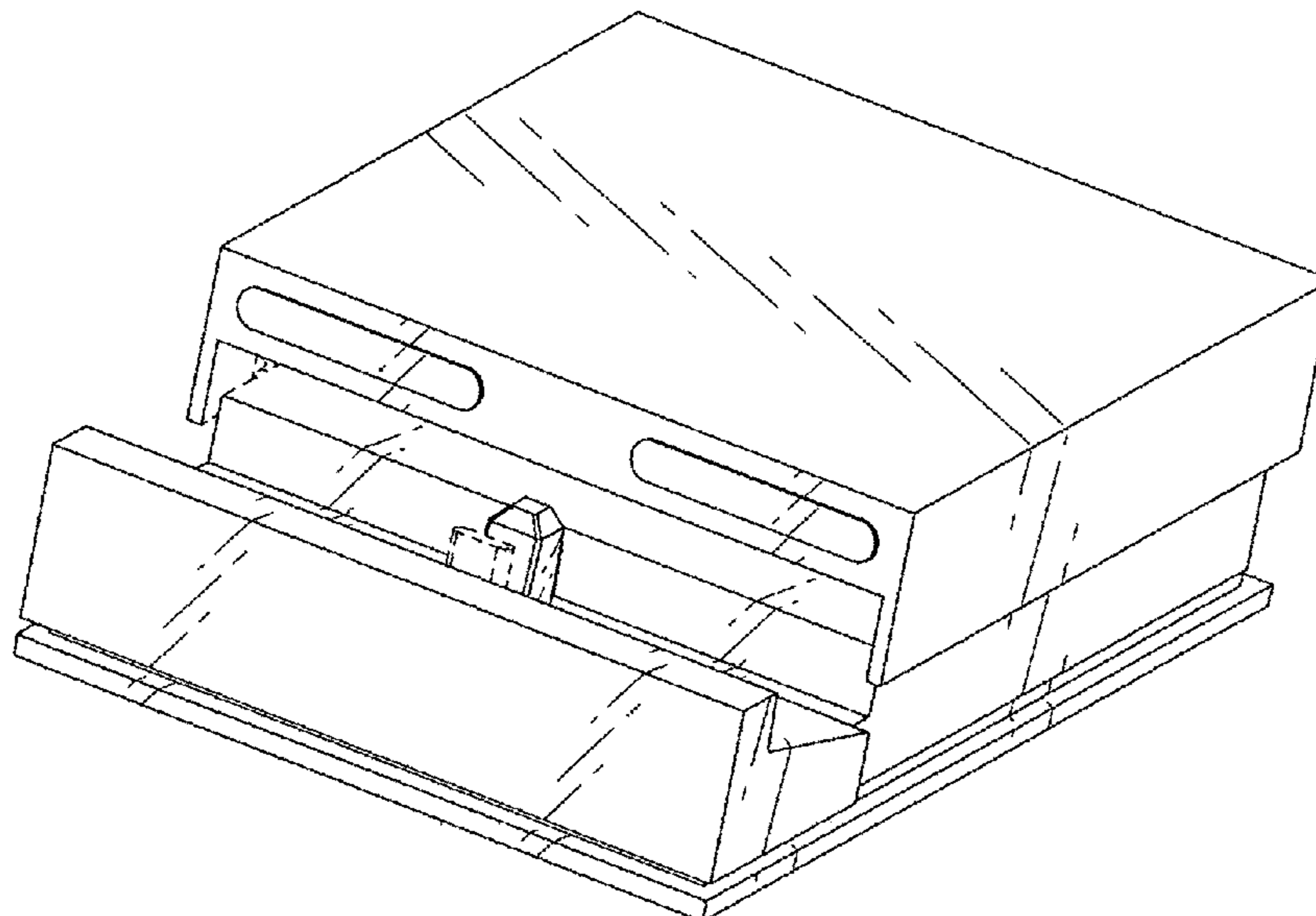
(57) **CLAIM**

The ornamental design for a dock for electronic game devices, as shown and described.

**DESCRIPTION**

FIG. 1 is a perspective view of a dock for electronic game devices;  
FIG. 2 is a front elevational view of thereof;  
FIG. 3 is a rear elevational view thereof;  
FIG. 4 is a left side elevational view thereof;  
FIG. 5 is a right side elevational view thereof;  
FIG. 6 is a top plan view thereof;  
FIG. 7 is a bottom plan view thereof;  
FIG. 8 is another perspective view thereof;  
FIG. 9 is an enlarged view of the portion of FIG. 3 outlined by the dot-dash broken line;  
FIG. 10 is an enlarged view of the portion of FIG. 7 outlined by the dot-dash broken line; and,  
FIG. 11 is an enlarged view of another portion of FIG. 7 outlined by the dot-dash broken line.  
The dash-dash lines depict portions of the Dock For Electronic Game Devices and form no part of the claimed design. The dot-dash lines inside the oval feature in FIG. 10 and outlining the magnified portions in FIGS. 7, 9, 10 and 11 depict boundaries and form no part of the claimed design.

**1 Claim, 11 Drawing Sheets**



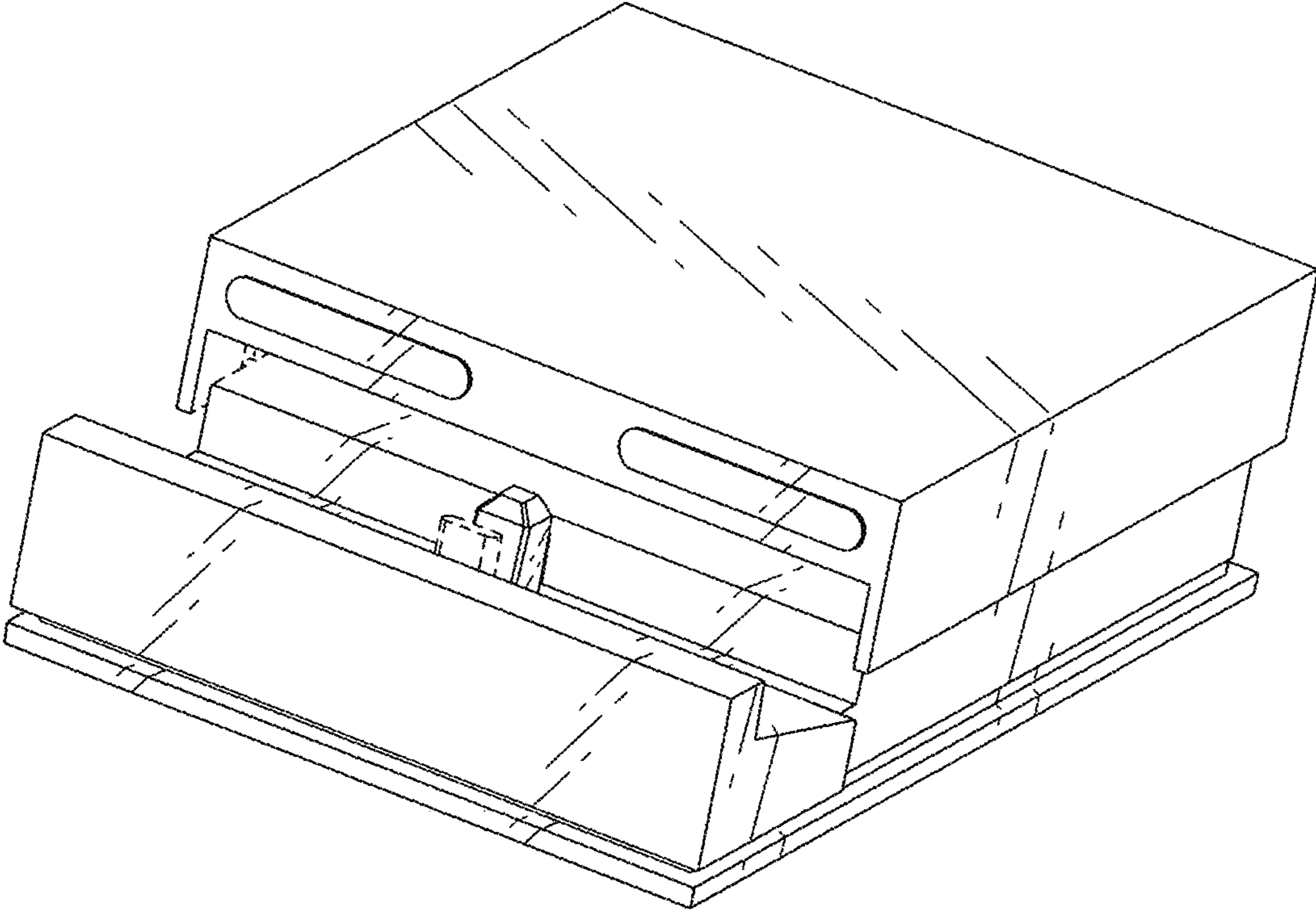


Fig. 1

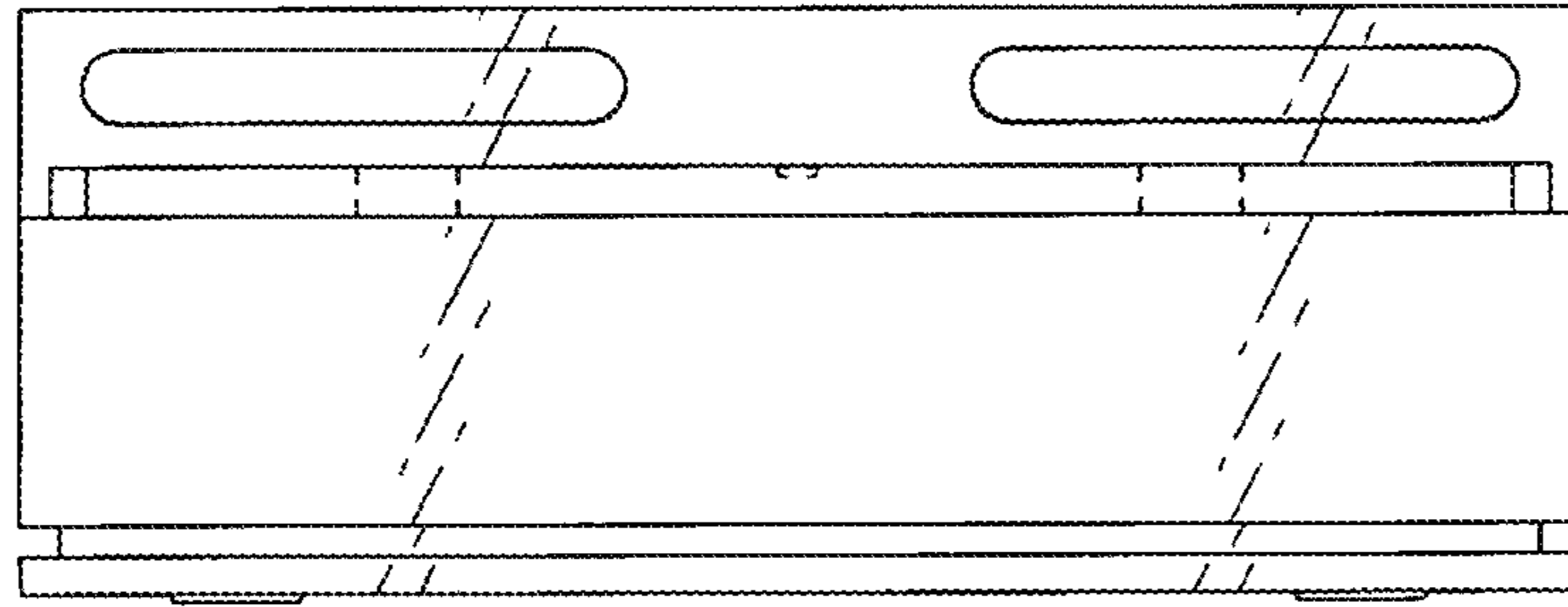


Fig. 2

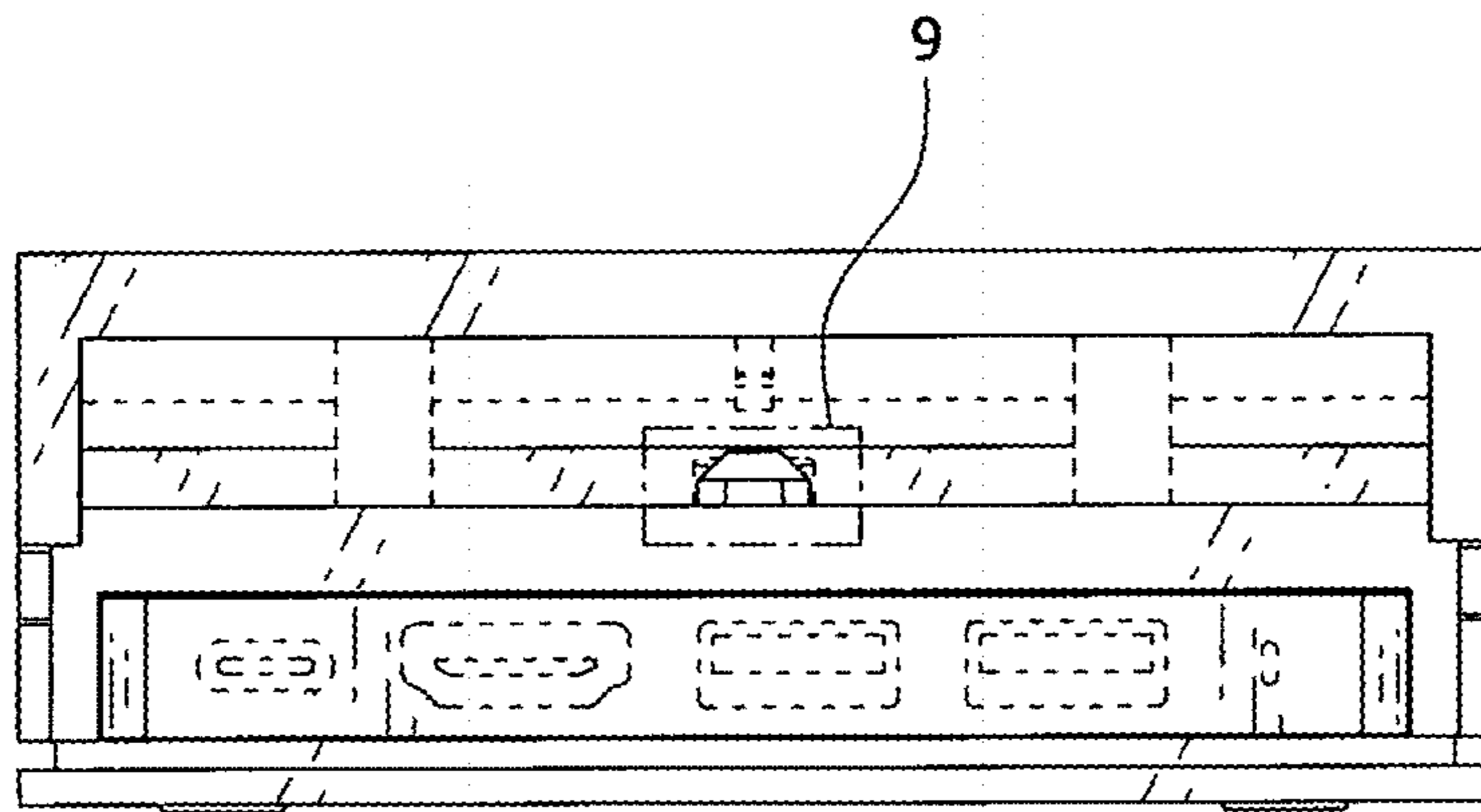


Fig. 3

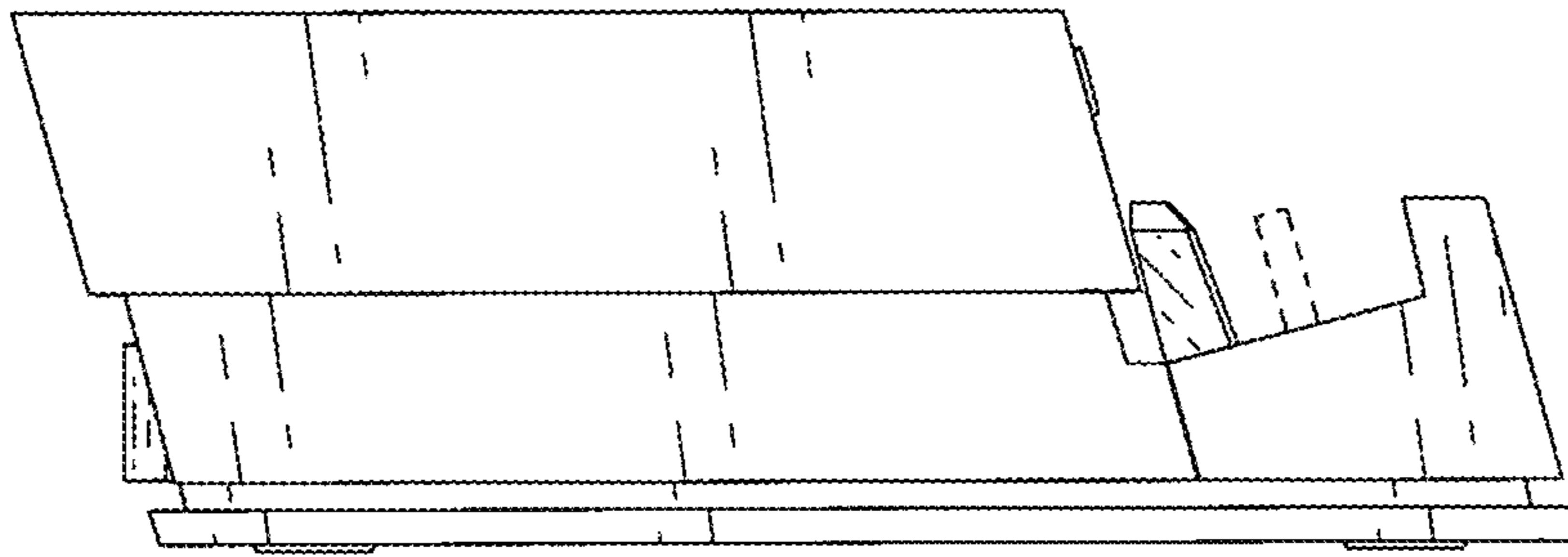


Fig. 4

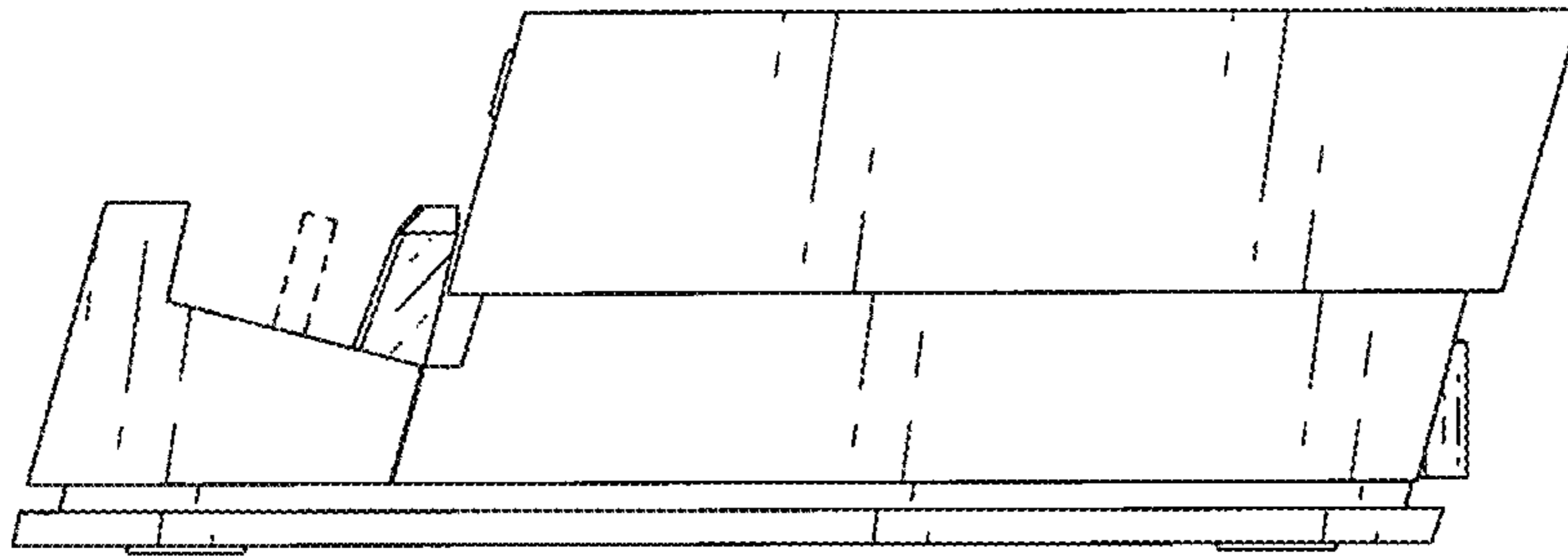


Fig. 5

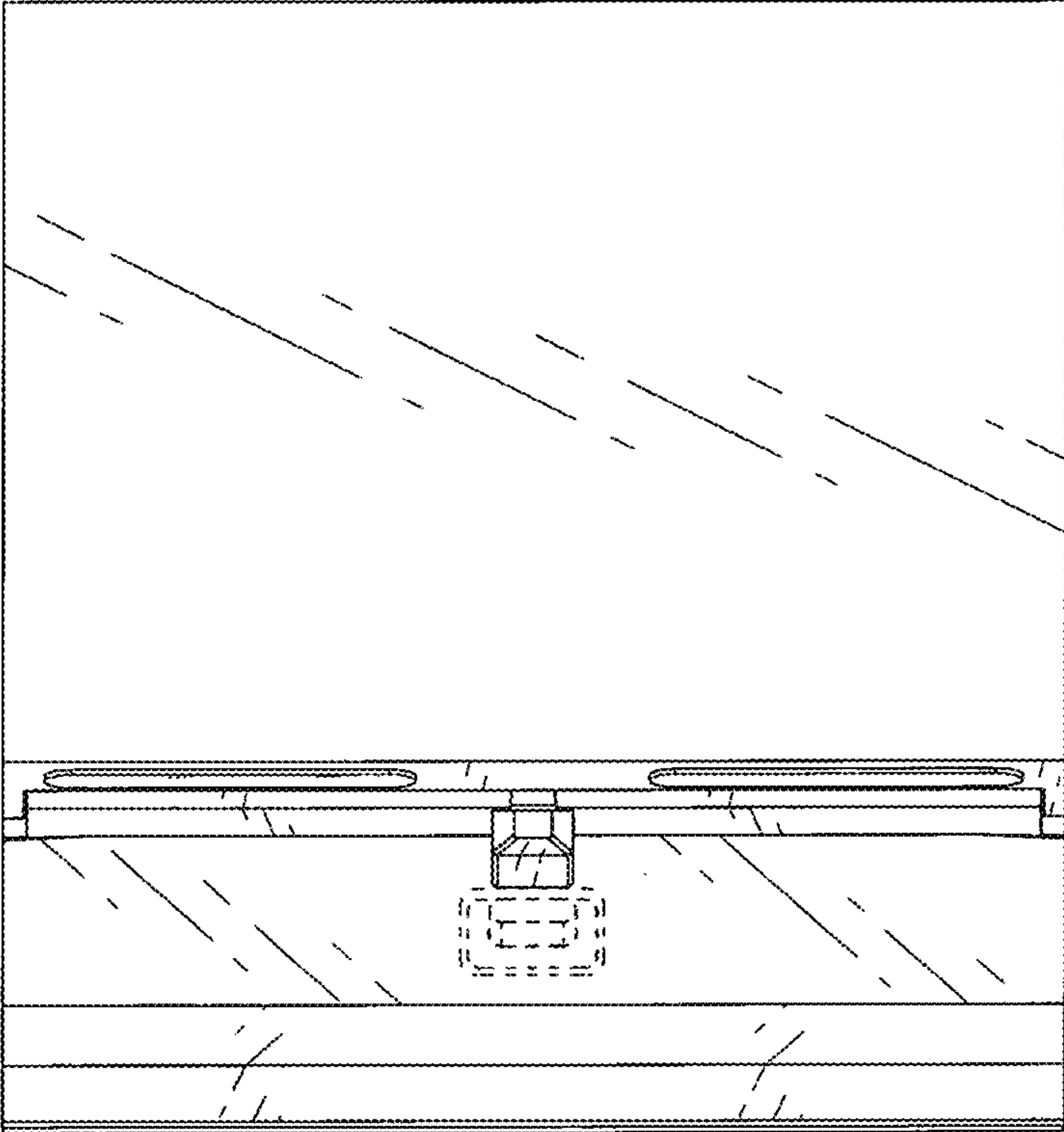


Fig. 6

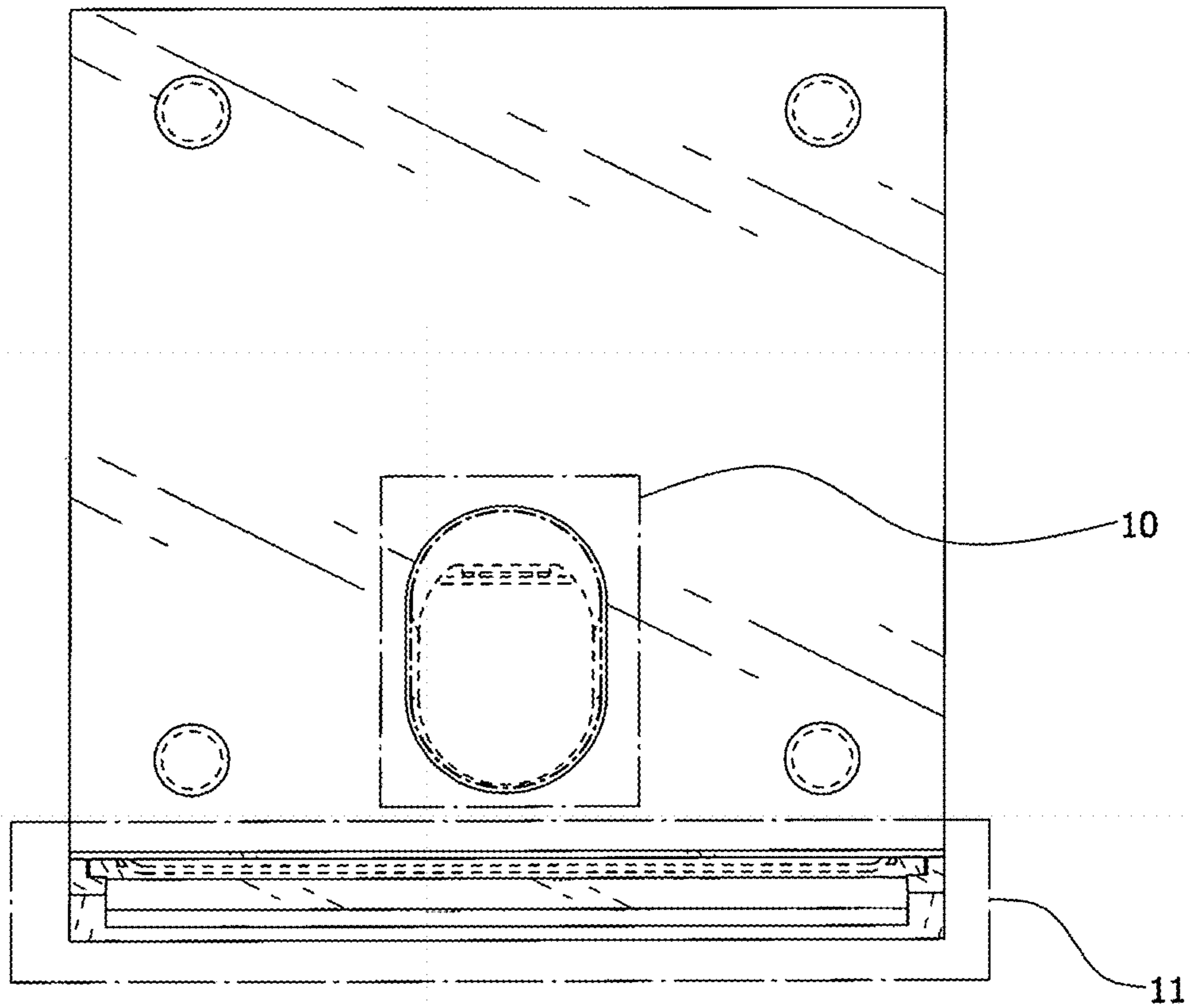


Fig. 7



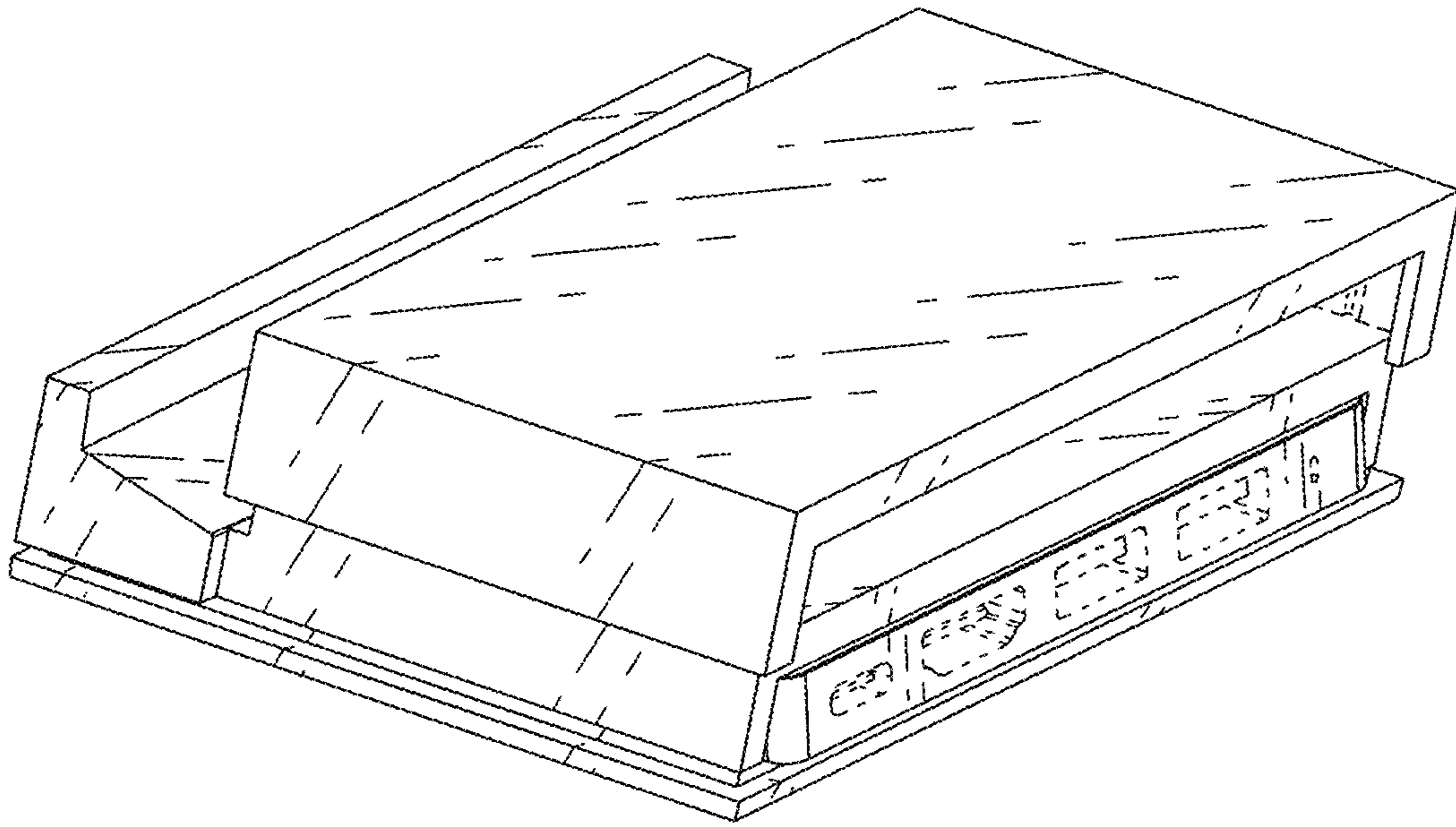


Fig. 8

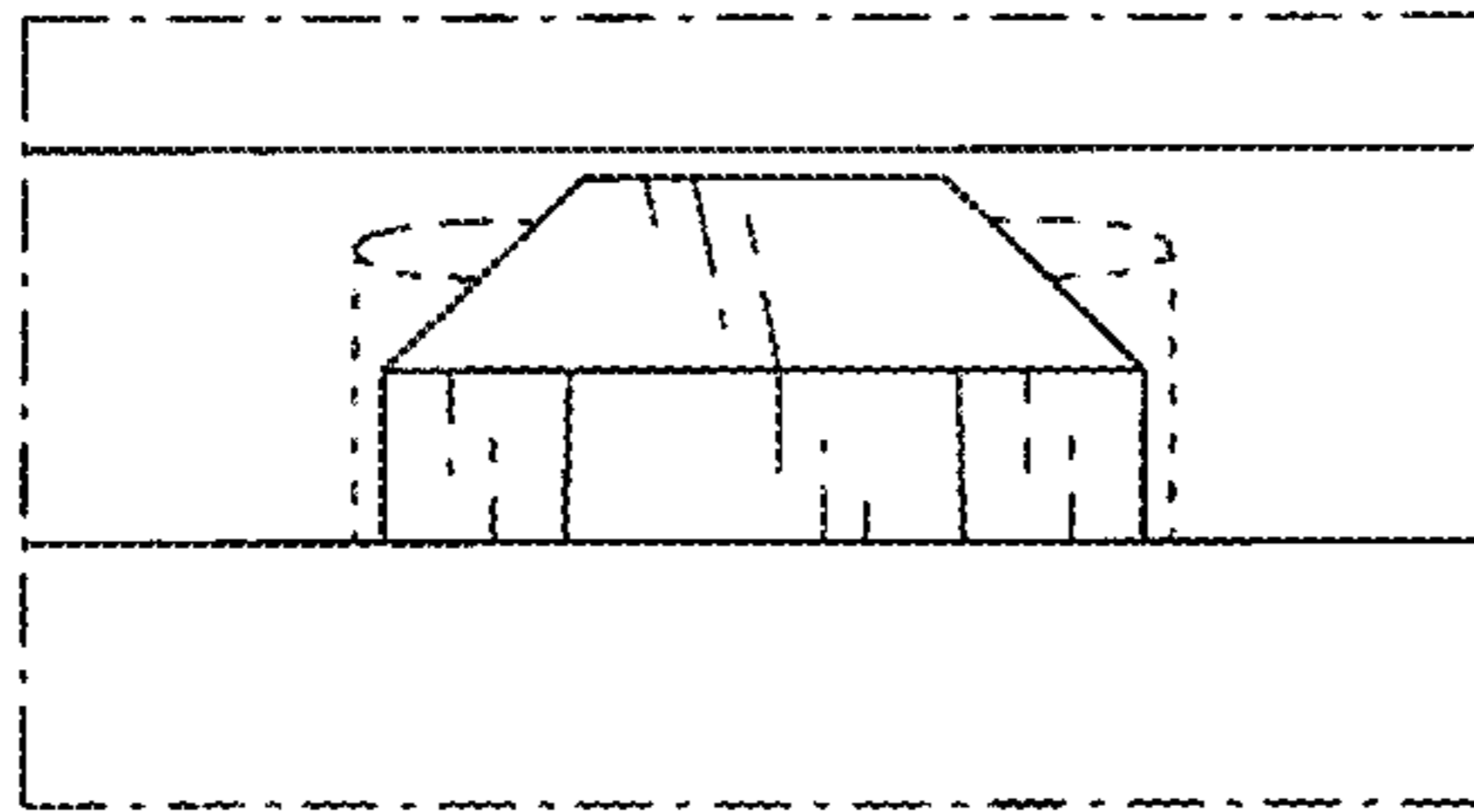


Fig. 9

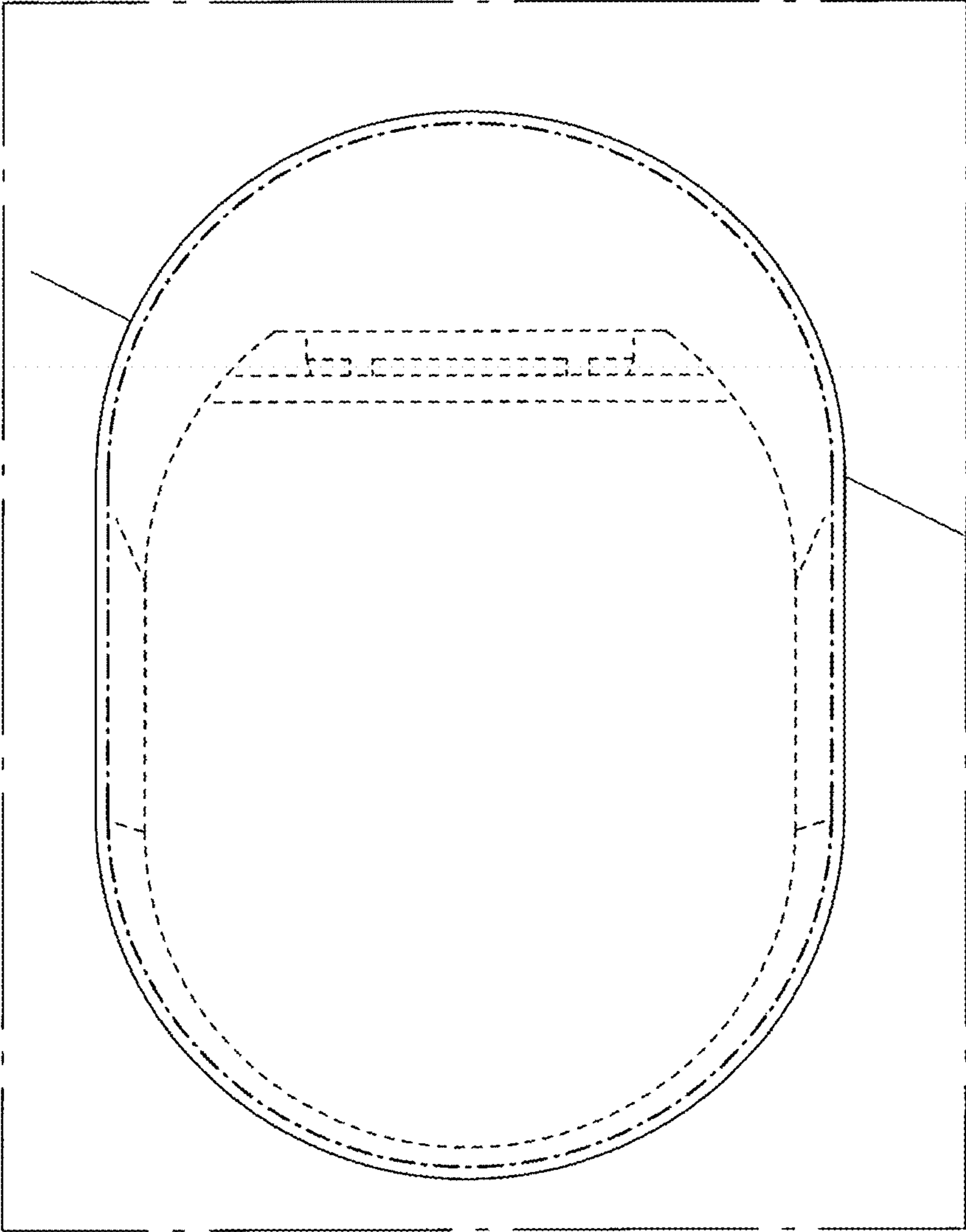


Fig. 10

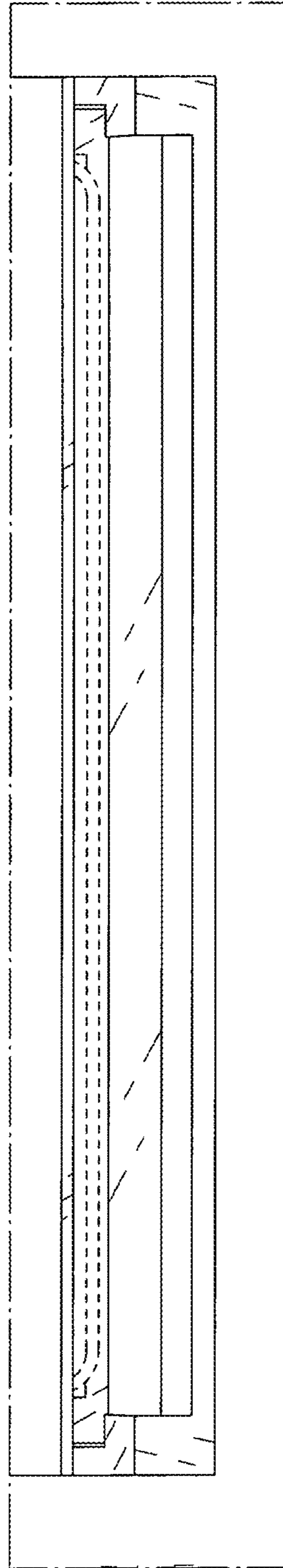


Fig. 11