



US00D922490S

(12) **United States Design Patent**  
**White et al.**

(10) **Patent No.:** **US D922,490 S**  
(45) **Date of Patent:** **\*\* Jun. 15, 2021**

(54) **HINGED ELECTRONIC LABEL HOLDER**

(71) Applicant: **K-International, Inc.**, Waukegan, IL  
(US)

(72) Inventors: **Michael J. White**, Green Lake, WI  
(US); **Michael L. Sisko**, Kenosha, WI  
(US)

(73) Assignee: **K-International, Inc.**, Waukegan, IL  
(US)

(\*\*) Term: **15 Years**

(21) Appl. No.: **29/726,774**

(22) Filed: **Mar. 5, 2020**

**Related U.S. Application Data**

(63) Continuation-in-part of application No. 16/536,596,  
filed on Aug. 9, 2019, now Pat. No. 10,706,749.

(51) **LOC (13) Cl.** ..... **20-03**

(52) **U.S. Cl.**  
USPC ..... **D20/43; D20/44**

(58) **Field of Classification Search**  
USPC ..... D6/325, 328; D8/321, 349, 354, 355,  
D8/366, 371, 373, 380, 381, 400;  
D20/10, 42-44, 99; D25/119  
CPC ..... G09F 7/16; G09F 2007/122; G09F 13/00;  
G09F 13/04; G09F 13/06; G09F 13/18;  
G09F 13/22; G09F 13/24; G09F 13/26;  
G09F 2013/1895; G09F 15/00; B29C  
65/52; B29C 65/56; B23P 19/00; B32B  
37/02; B32B 38/00

See application file for complete search history.

(56) **References Cited**

**U.S. PATENT DOCUMENTS**

D141,048 S \* 5/1945 Ketchum, Jr. .... D25/119  
6,035,569 A 3/2000 Nagel et al.  
6,119,990 A 9/2000 Kump et al.

D453,798 S \* 2/2002 Gray ..... D20/43  
D473,662 S \* 4/2003 Shaw ..... D25/119  
6,553,702 B1 4/2003 Bacnik  
D476,375 S \* 6/2003 Zadak ..... D20/43  
D485,582 S \* 1/2004 Valiulis ..... D20/44  
D487,115 S \* 2/2004 Kosir ..... D20/43  
6,935,062 B2 8/2005 Lowry et al.

(Continued)

**OTHER PUBLICATIONS**

K International Catalog No. 16, p. 110—Part Nos. 108697 and  
108696, Published Oct. 2018.

*Primary Examiner* — Mary Ann Calabrese

*Assistant Examiner* — Catherine Ho

(74) *Attorney, Agent, or Firm* — Schiff Hardin LLP

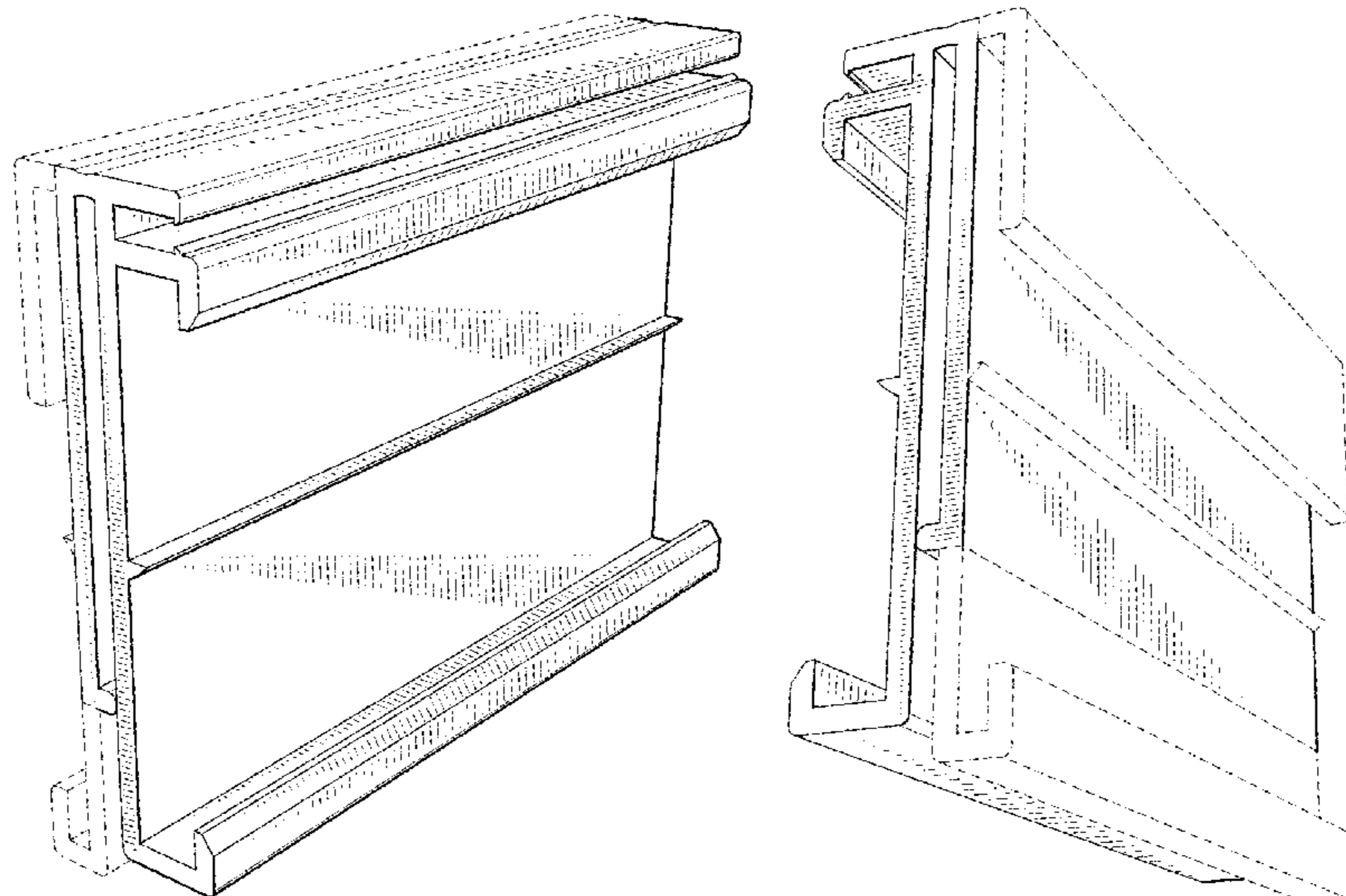
(57) **CLAIM**

The ornamental design for a hinged electronic label holder,  
as shown and described.

**DESCRIPTION**

FIG. 1 is a front perspective view of a hinged electronic label holder shown in an environment of use;  
FIG. 2 is a front, top, left perspective view of a hinged electronic label holder, showing our new design;  
FIG. 3 is a back, bottom, right perspective view thereof;  
FIG. 4 is a front elevational view thereof;  
FIG. 5 is a back elevational view thereof;  
FIG. 6 is a side elevation view from the right-hand side thereof;  
FIG. 7 is a side elevation view from the left-hand side thereof;  
FIG. 8 is a top plan view thereof; and,  
FIG. 9 is a bottom plan view thereof.  
The broken lines of FIG. 1 illustrate the environment and portions of the hinged electronic label holder that form no part of the claimed design. The broken lines of FIGS. 2-9 illustrate portions of the hinged electronic label holder that form no part of the claimed design.

**1 Claim, 4 Drawing Sheets**



(56)

**References Cited**

U.S. PATENT DOCUMENTS

7,455,081	B2	11/2008	Bacnik	
D645,095	S *	9/2011	Garfinkle .....	D20/44
D693,483	S *	11/2013	Krieger .....	E04F 13/0826
				D25/119
D732,702	S *	6/2015	Gallien .....	D25/119
D791,360	S *	7/2017	Singh .....	D25/119
D791,361	S *	7/2017	Singh .....	D25/119
D829,823	S *	10/2018	White .....	D20/43
D830,813	S *	10/2018	Garfinkle .....	D8/354
D853,589	S *	7/2019	Jackson .....	D25/119
D858,721	S *	9/2019	Gori .....	D23/267
D859,140	S *	9/2019	Kovacs .....	D8/499
D859,610	S *	9/2019	Gori .....	D23/267
D872,884	S *	1/2020	Carter .....	D25/119
D874,025	S *	1/2020	Kittur .....	D25/119
D875,898	S *	2/2020	Gori .....	D23/267
D891,904	S *	8/2020	Naugler .....	D8/349
D892,602	S *	8/2020	White .....	D8/380
D899,523	S *	10/2020	Rollins .....	D20/43
D899,632	S *	10/2020	Roberts .....	D25/119
D902,693	S *	11/2020	Freeman .....	D8/349
2005/0133676	A1 *	6/2005	Brinkman .....	A47F 5/0869
				248/223.41

\* cited by examiner

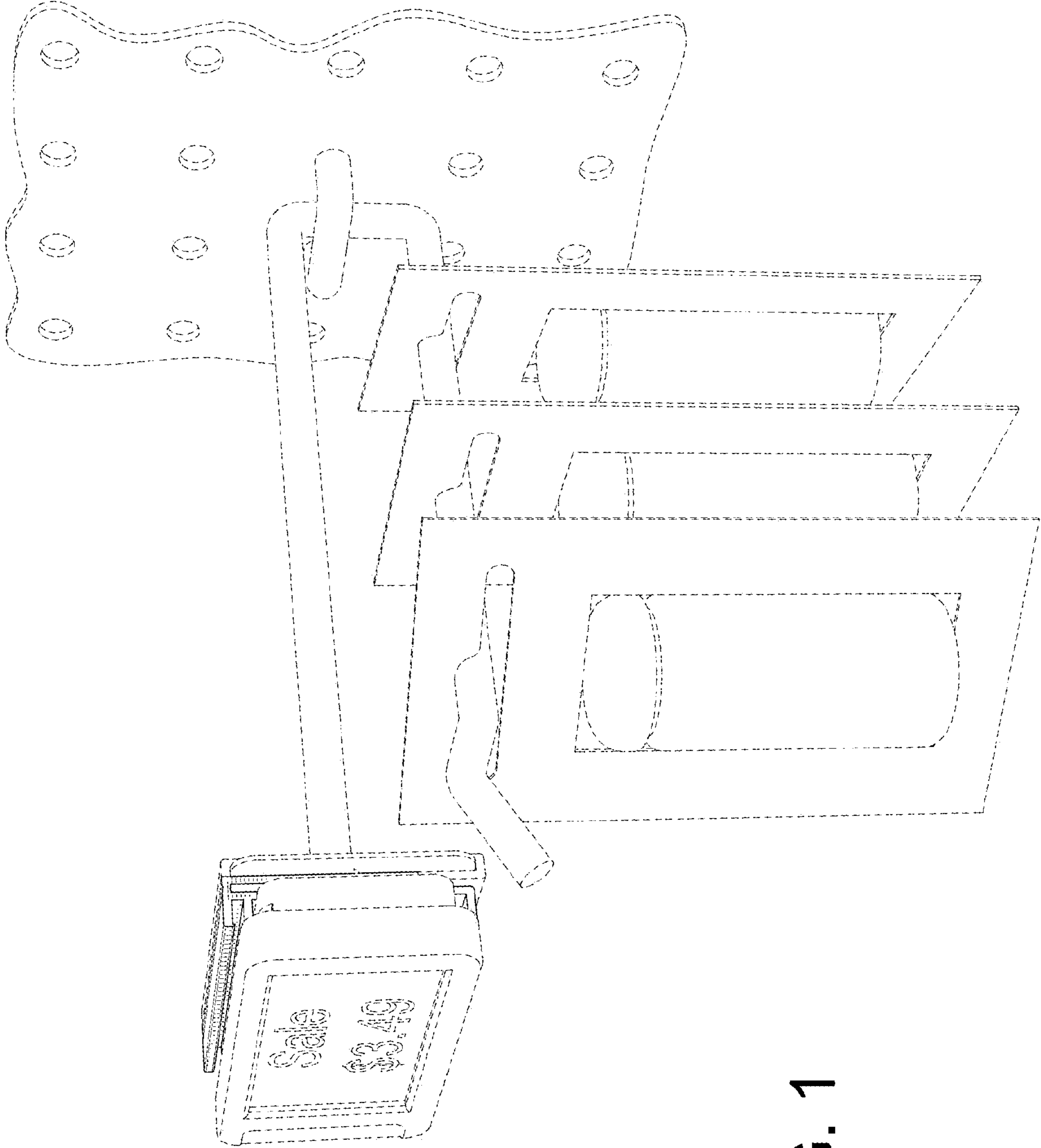


FIG. 1

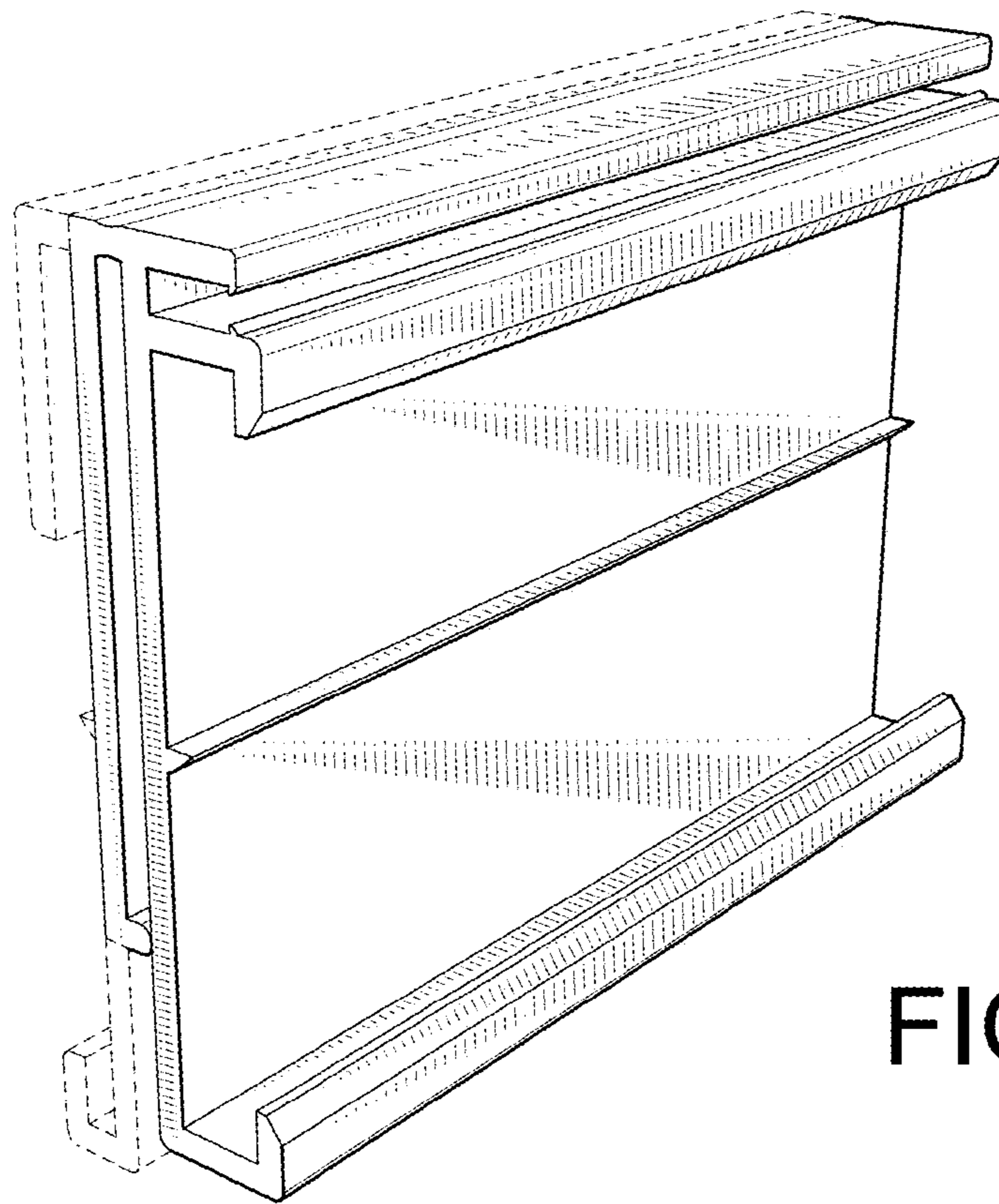


FIG. 2

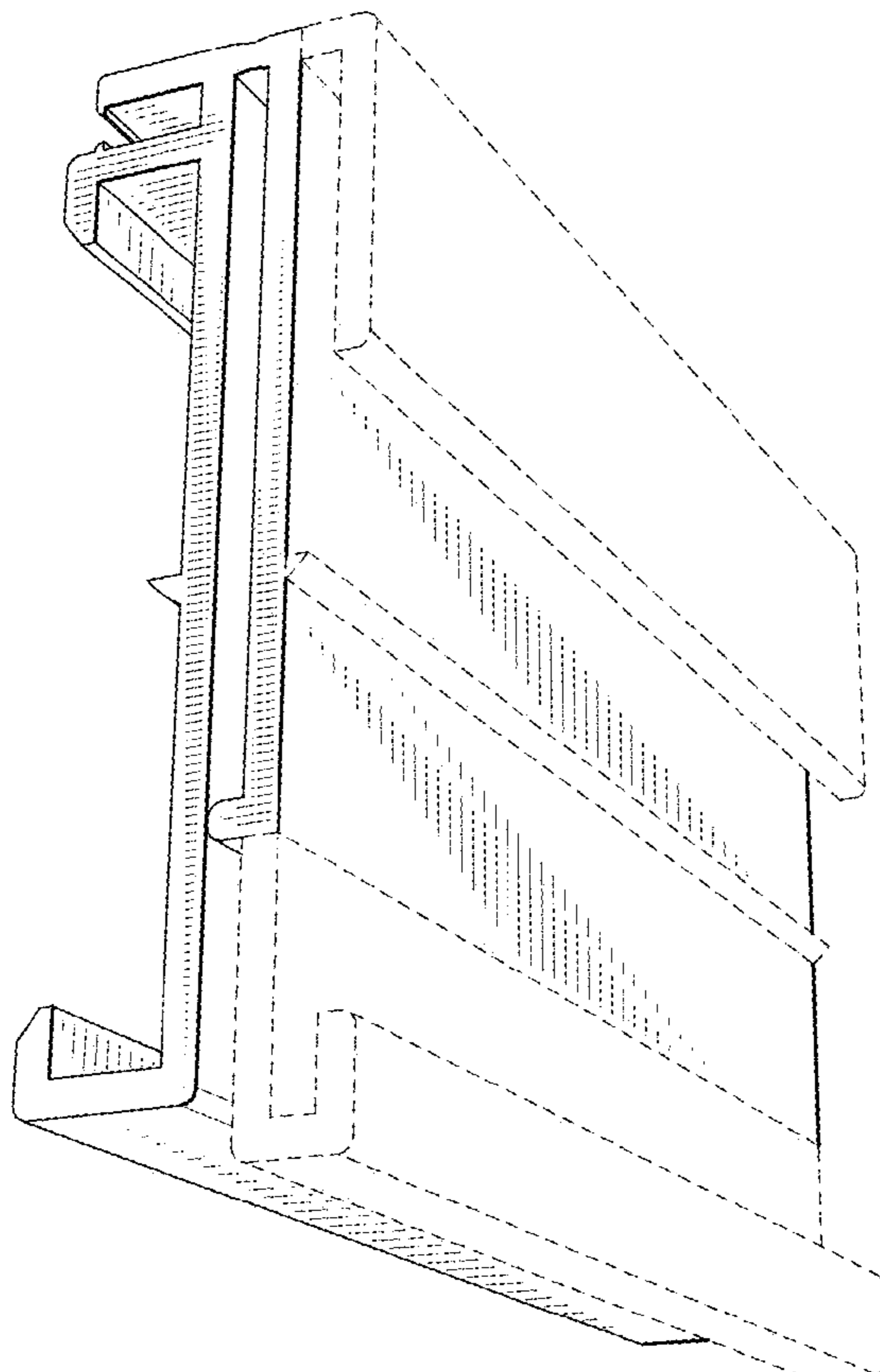


FIG. 3

FIG. 4

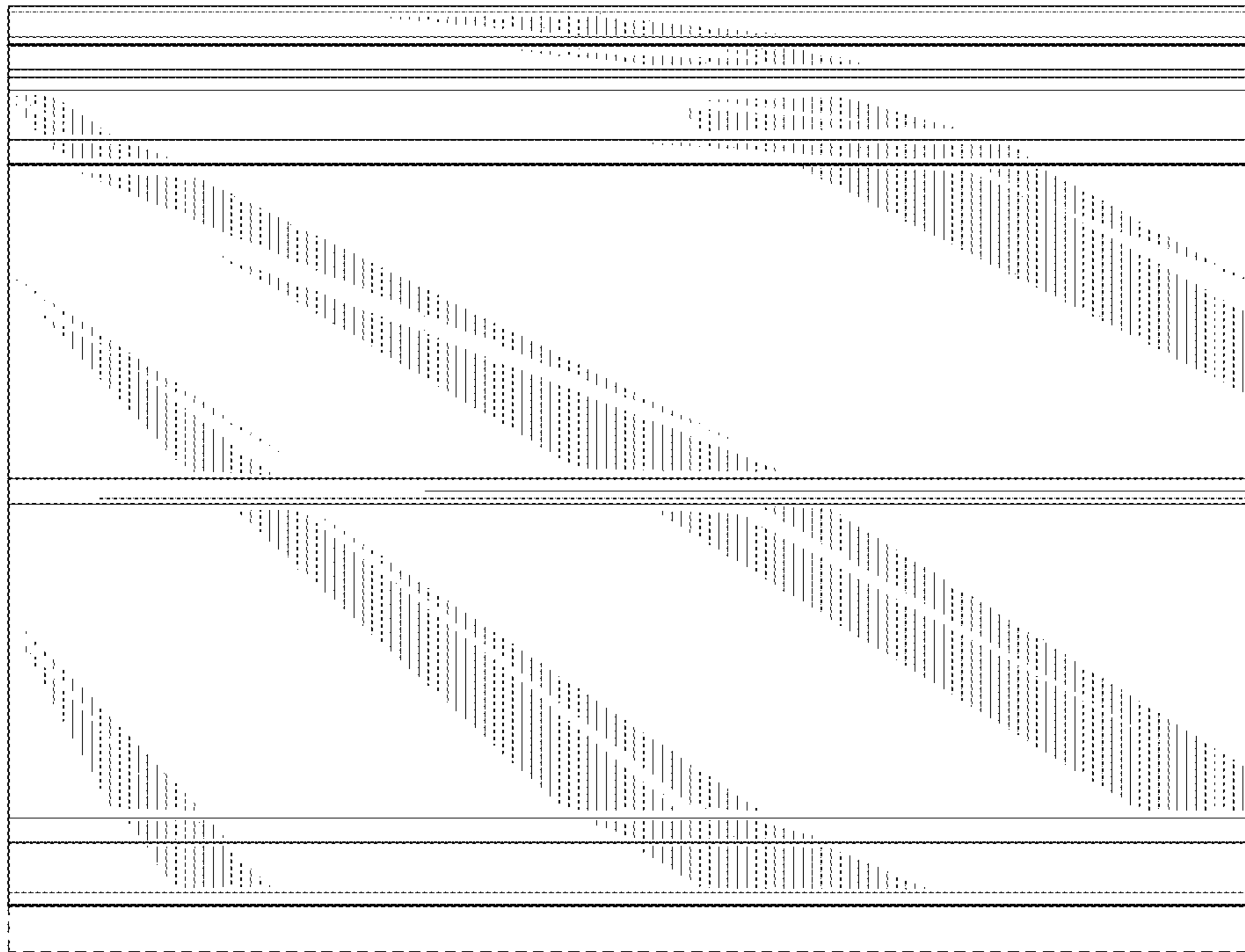


FIG. 5

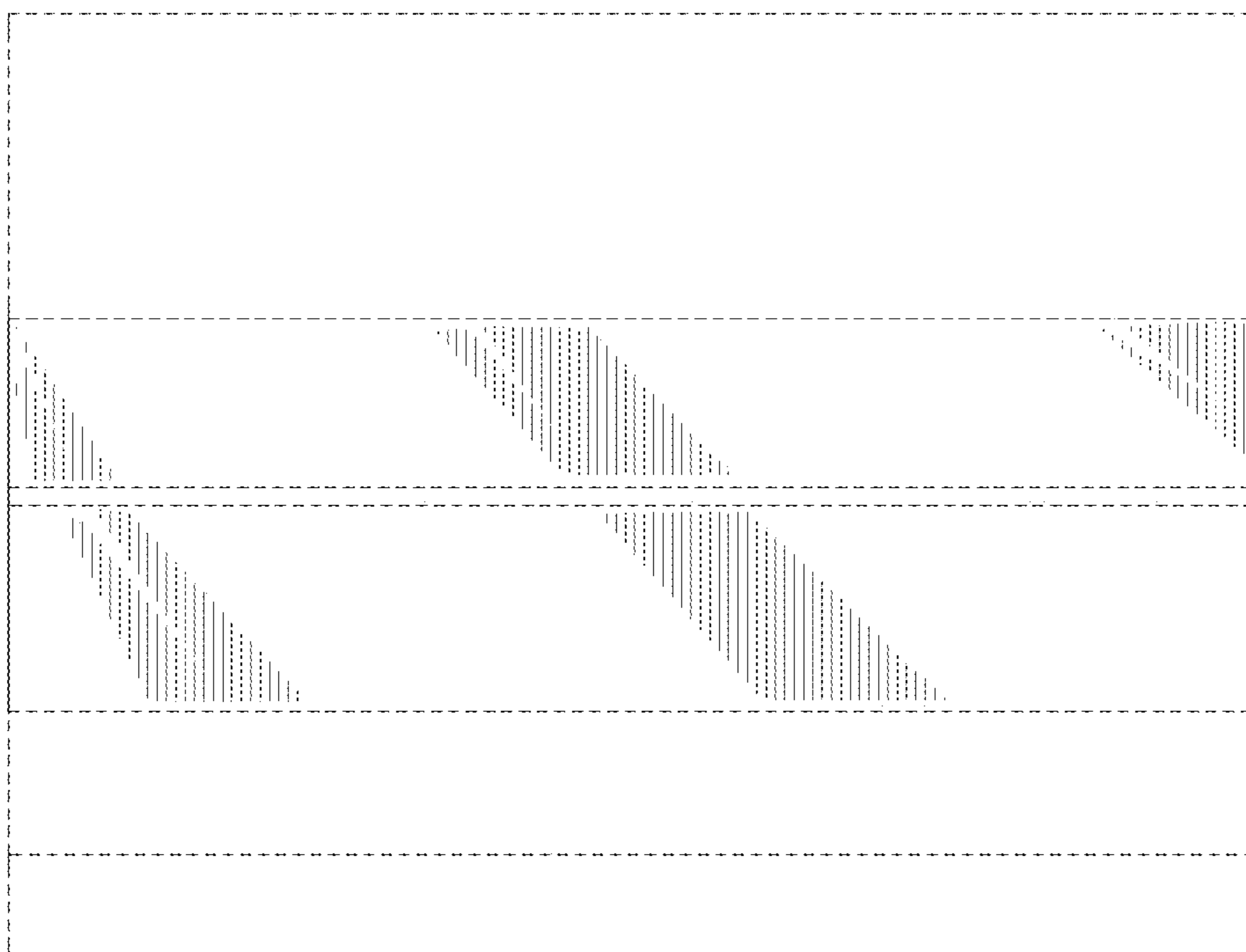


FIG. 6

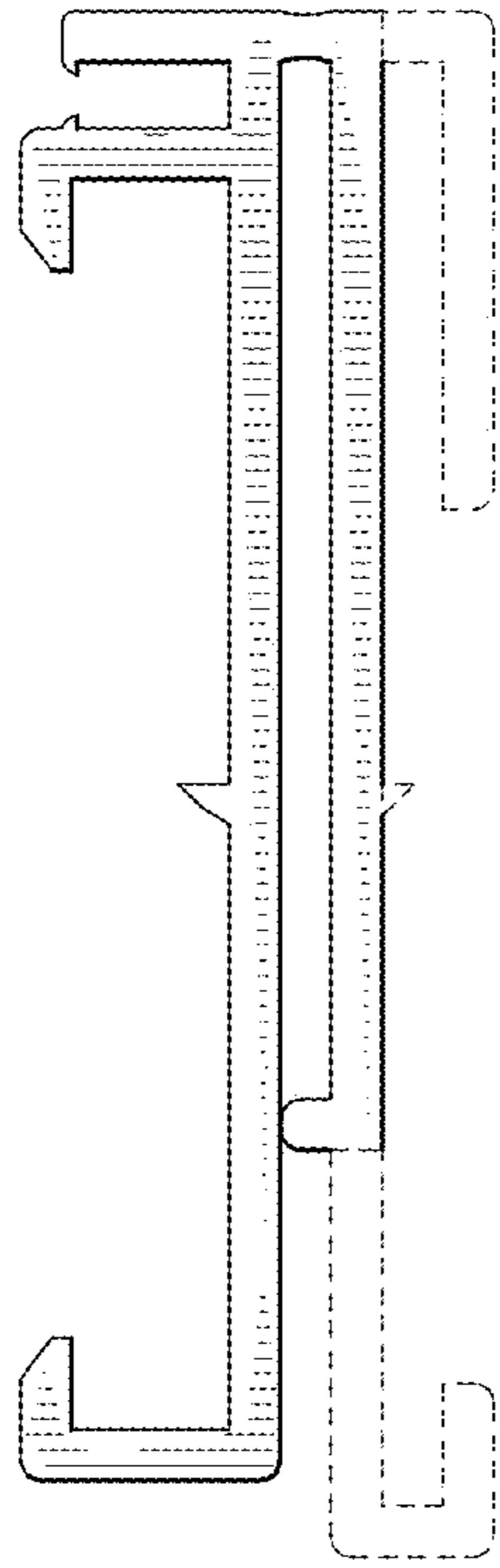


FIG. 7

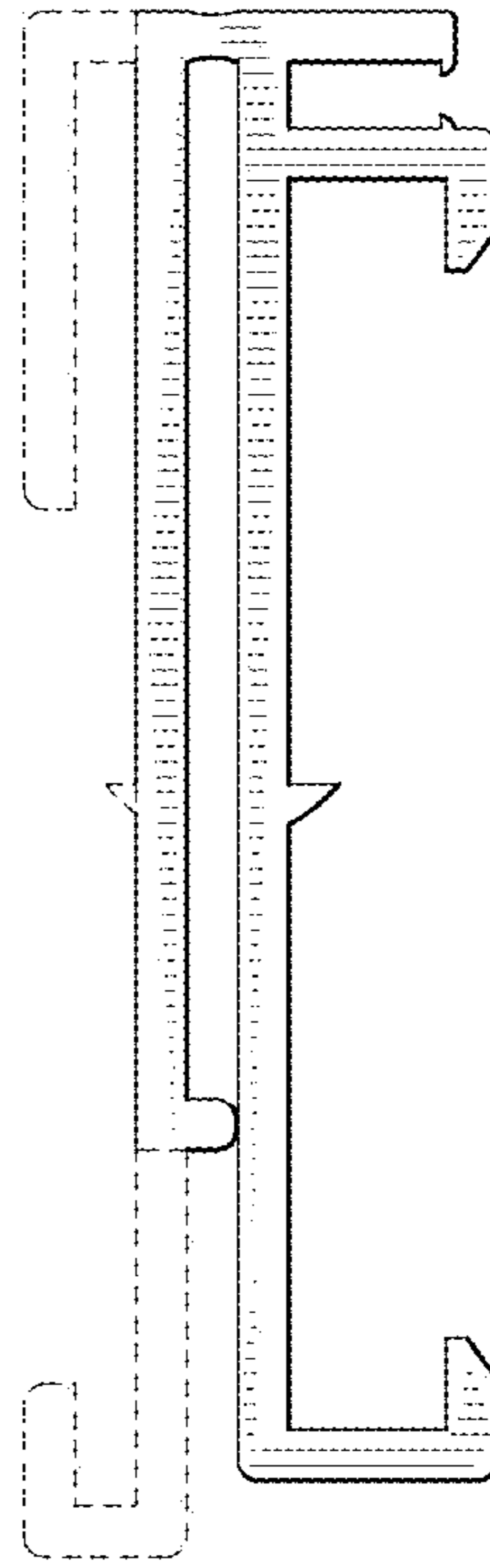


FIG. 8

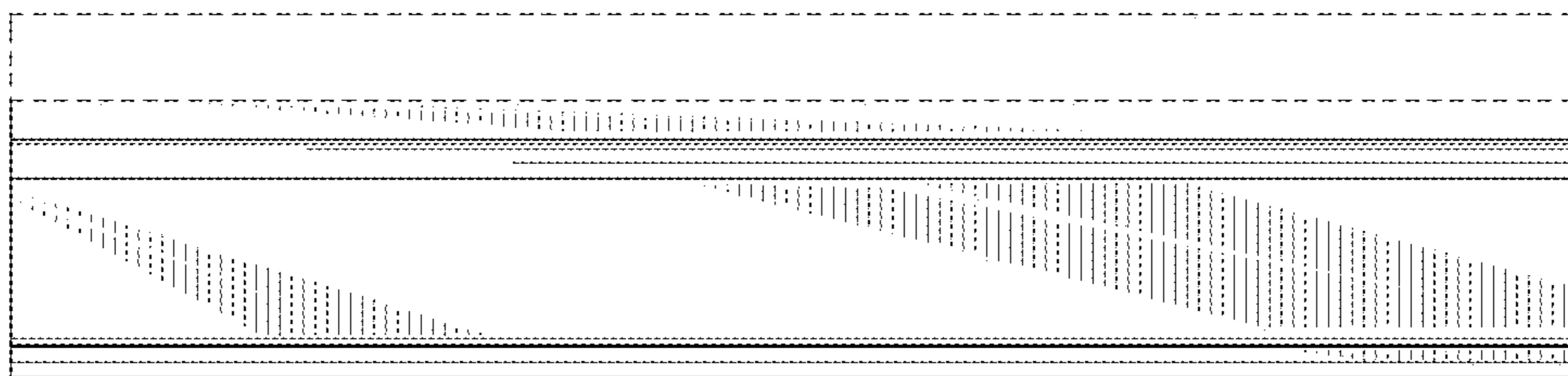


FIG. 9

