



US00D922484S

(12) **United States Design Patent**
Tsai

(10) **Patent No.:** **US D922,484 S**

(45) **Date of Patent:** **** Jun. 15, 2021**

(54) **LETTER HOLDER**

(71) Applicant: **Tsung-Yu Tsai**, Changhua (TW)

(72) Inventor: **Tsung-Yu Tsai**, Changhua (TW)

(**) Term: **15 Years**

(21) Appl. No.: **29/715,895**

(22) Filed: **Dec. 5, 2019**

(51) **LOC (13) Cl.** **19-02**

(52) **U.S. Cl.**
USPC **D19/90**

(58) **Field of Classification Search**
USPC D19/75, 77-78, 86-87, 90-92; D3/306,
D3/309, 310, 312
CPC ... A47B 63/00; B42F 7/06; B42F 7/08; B42F
7/10; B42F 7/12; B42F 7/14; B42F
7/145; B42F 17/02; B42F 17/08; B42F
17/12; B65D 7/20; B65D 7/26; B65D
7/30

See application file for complete search history.

(56) **References Cited**

U.S. PATENT DOCUMENTS

- 1,621,465 A * 3/1927 Hammes A47F 7/175
211/44
- 2,062,802 A * 12/1936 Walker A47F 7/175
211/44
- 2,238,451 A * 4/1941 Roth G11B 33/0433
211/40
- D127,972 S * 7/1941 Replogle D6/407
- D127,973 S * 7/1941 Replogle D6/407
- D132,201 S * 4/1942 Slough D6/407
- 2,281,845 A * 5/1942 Kaplan G11B 33/0472
211/40
- D160,015 S * 9/1950 Rauch et al. D6/407
- D180,955 S * 9/1957 Lyons D6/407
- 3,627,141 A * 12/1971 Kurland A47F 7/18
211/44

- D236,570 S * 9/1975 Dagarp D6/407
- D334,493 S * 4/1993 Penar D6/678.4
- D434,248 S * 11/2000 Krogh D6/310
- D442,392 S * 5/2001 Follman D19/86
- D458,763 S * 6/2002 Dowding D19/91
- D582,697 S * 12/2008 Goodman D6/678.4
- D583,589 S * 12/2008 Goodman D6/678.4
- D583,716 S * 12/2008 Ross D12/115
- D669,312 S * 10/2012 Thorpe A47J 47/16
D7/601
- D670,339 S * 11/2012 Mitchell D19/90
- D677,077 S * 3/2013 Selby D6/678.4
- D689,338 S * 9/2013 Procter D7/601
- 9,949,595 B1 * 4/2018 Greenwood A47J 47/16
- D901,950 S * 11/2020 McBrien D6/675.2

OTHER PUBLICATIONS

File Folder Holder for Desk, by Yintrade, Manufacturer: Bachedi, Manufacturer Part No. BACHEDI108, ASIN: B08FR3G7TB, online on Aamazon.com, Date First Available: Sep. 30, 2020.*

* cited by examiner

Primary Examiner — Elizabeth A. Albert
(74) *Attorney, Agent, or Firm* — Muncy, Geissler, Olds & Lowe, P.C.

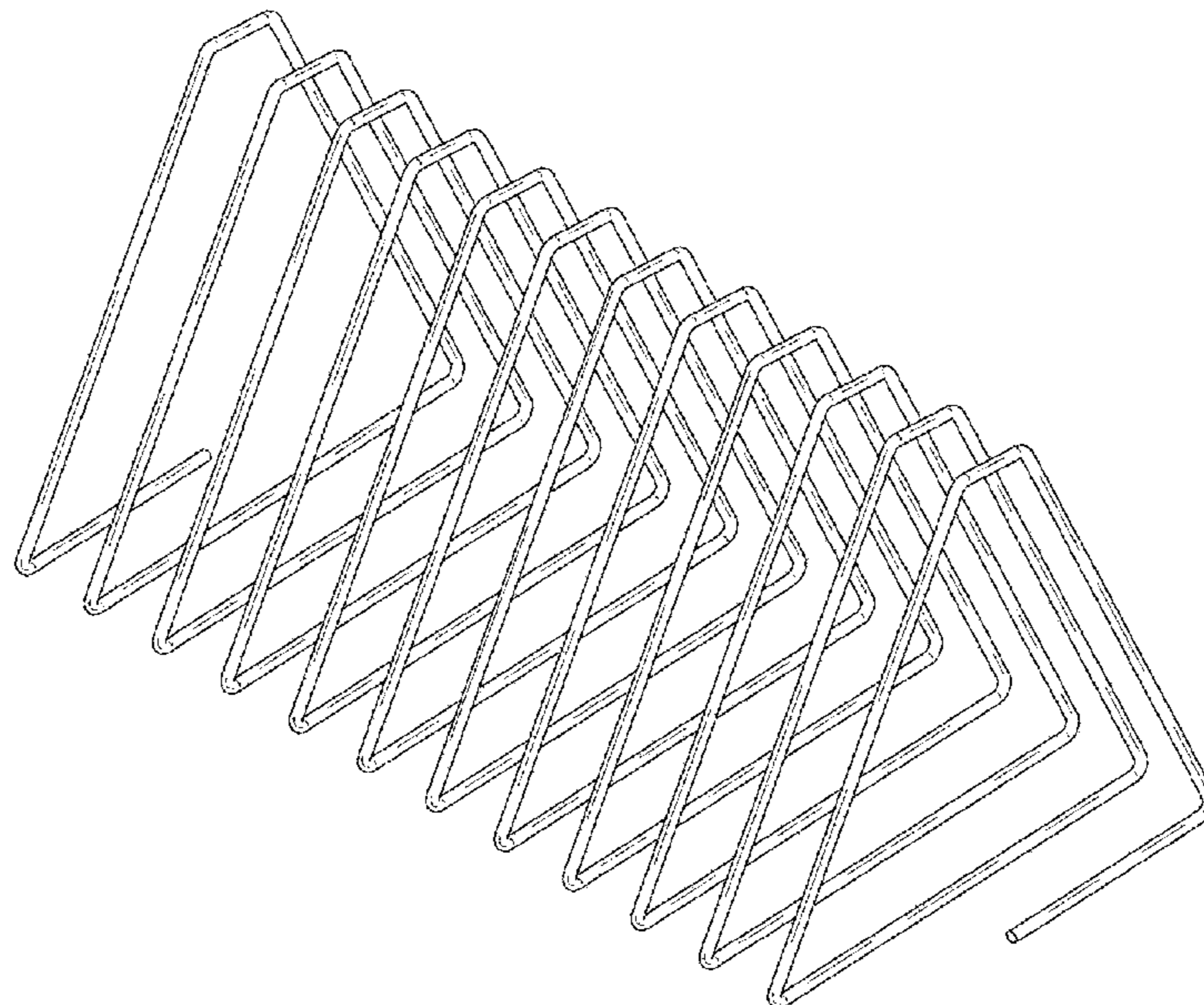
(57) **CLAIM**

The ornamental design for a letter holder, as shown.

DESCRIPTION

FIG. 1 is a perspective view of a letter holder showing the new design;
FIG. 2 is a front elevational view thereof;
FIG. 3 is a rear elevational view thereof;
FIG. 4 is a left side elevational view thereof;
FIG. 5 is a right side elevational view thereof;
FIG. 6 is a top plan view thereof; and,
FIG. 7 is a bottom plan view thereof.

1 Claim, 7 Drawing Sheets



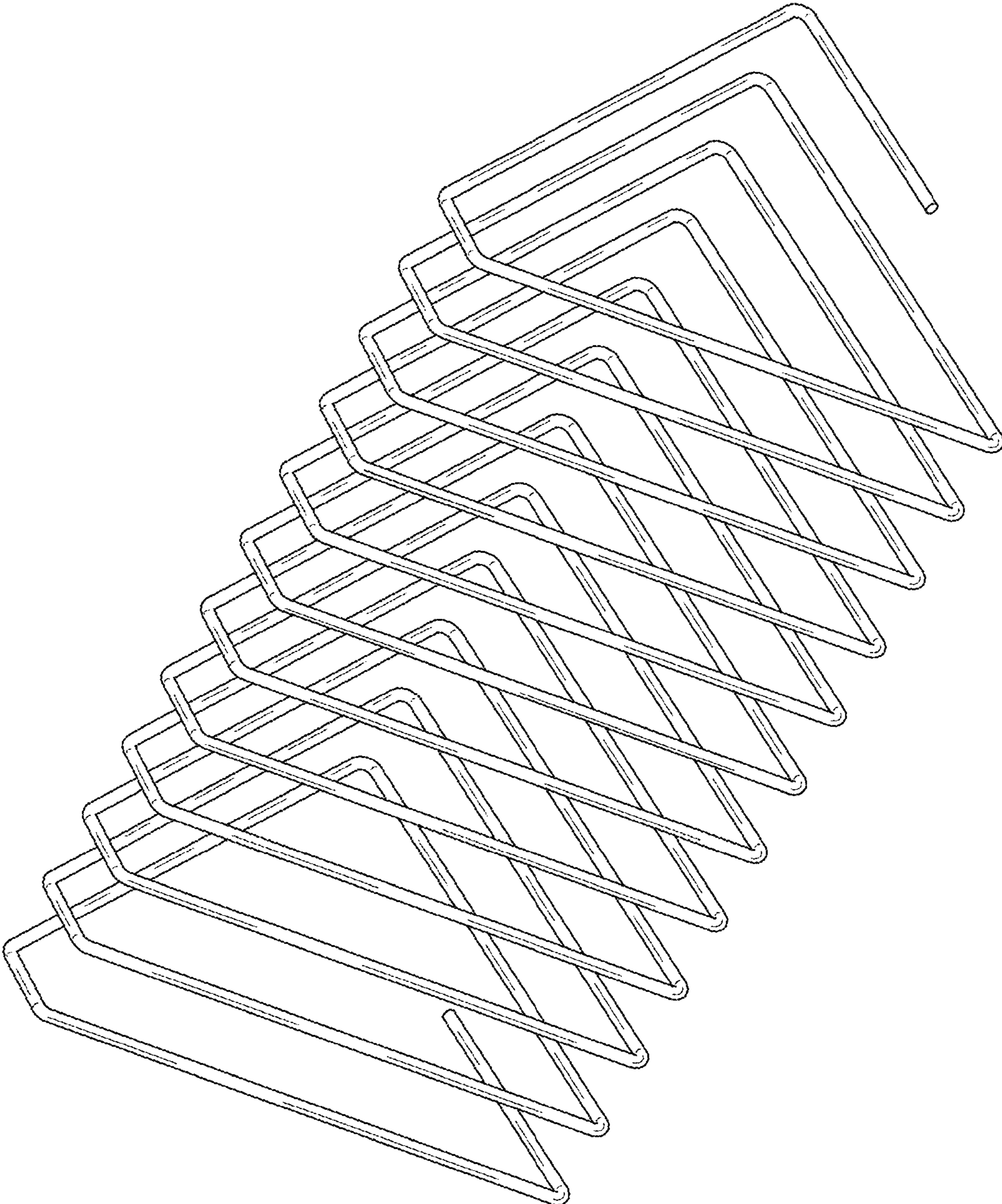


FIG. 1

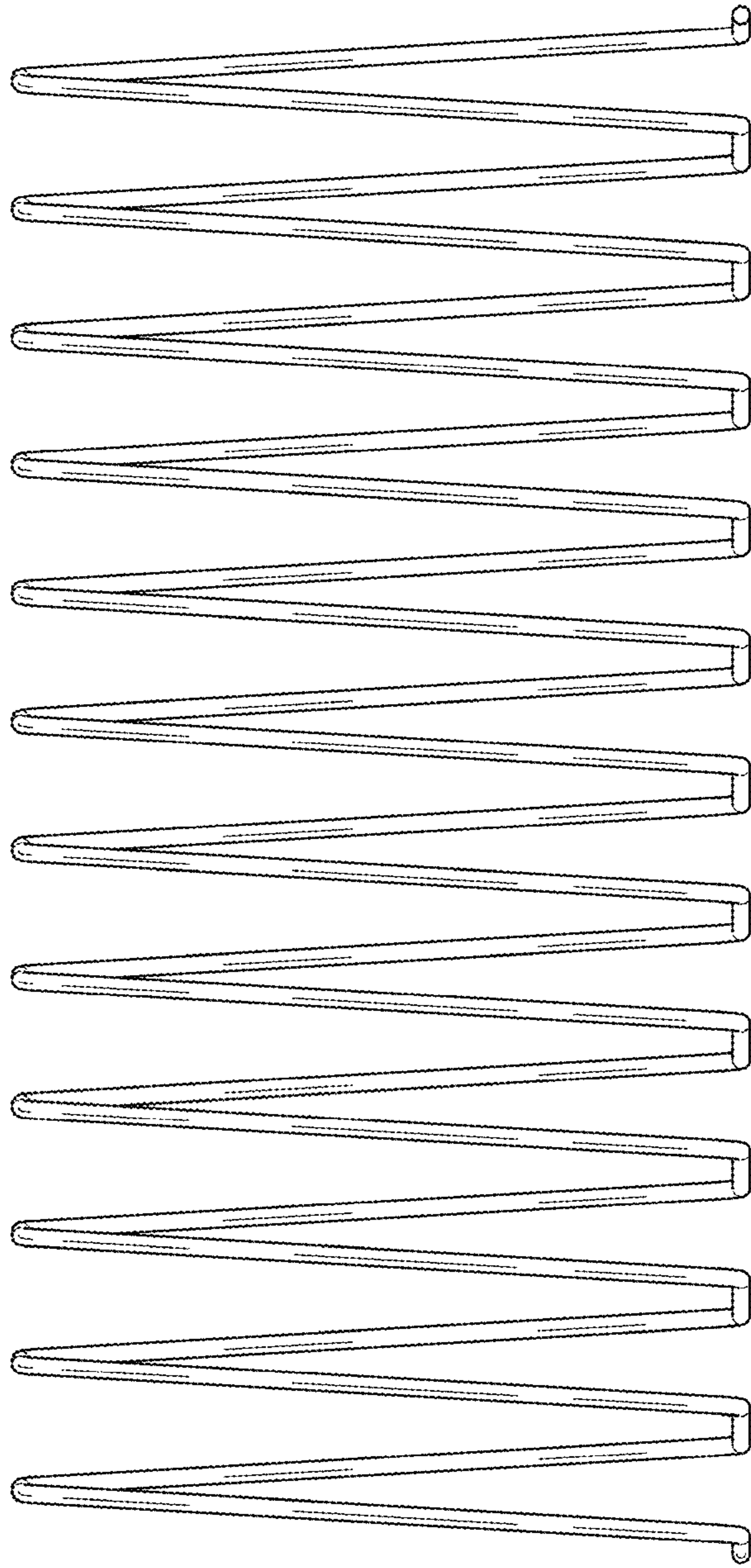


FIG. 2

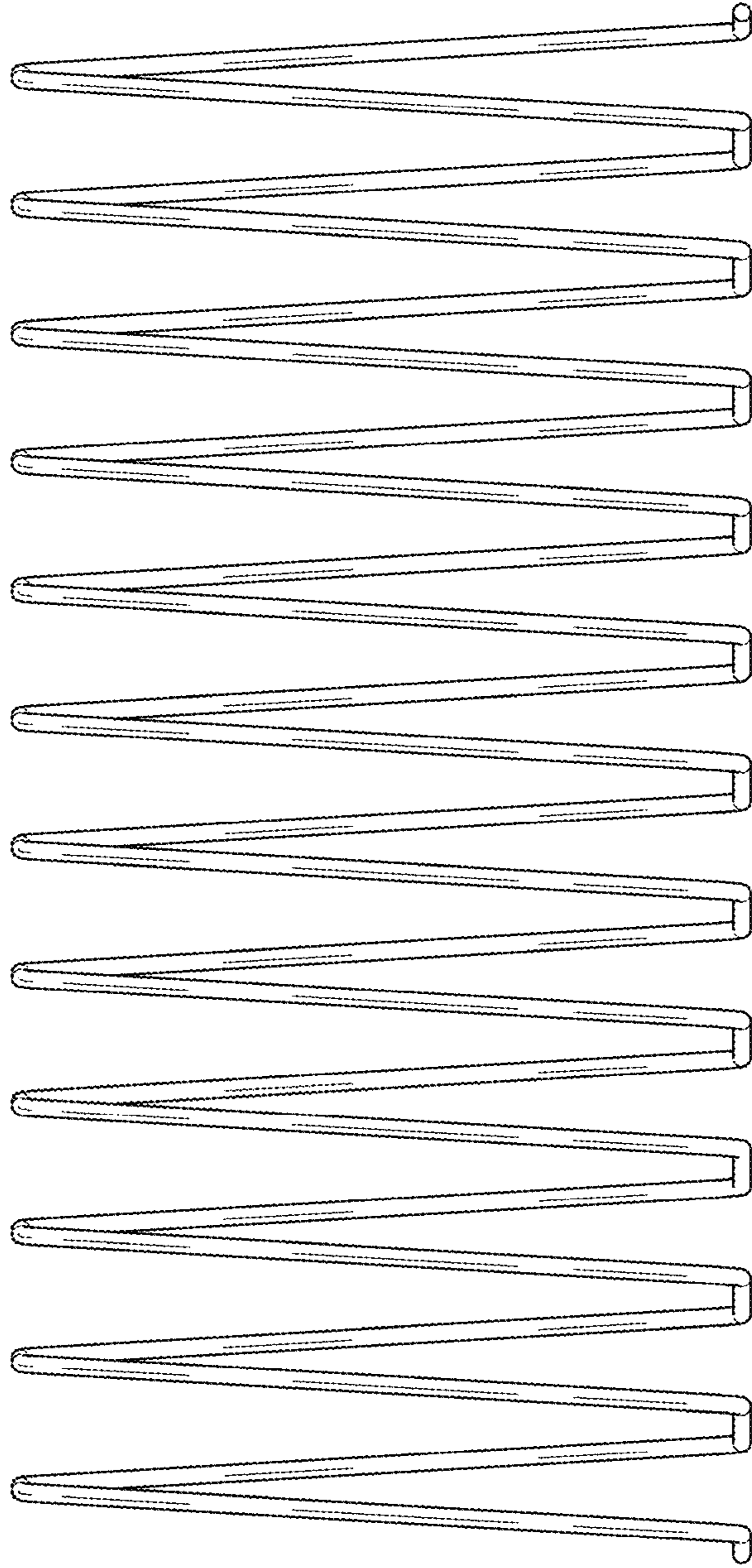


FIG. 3

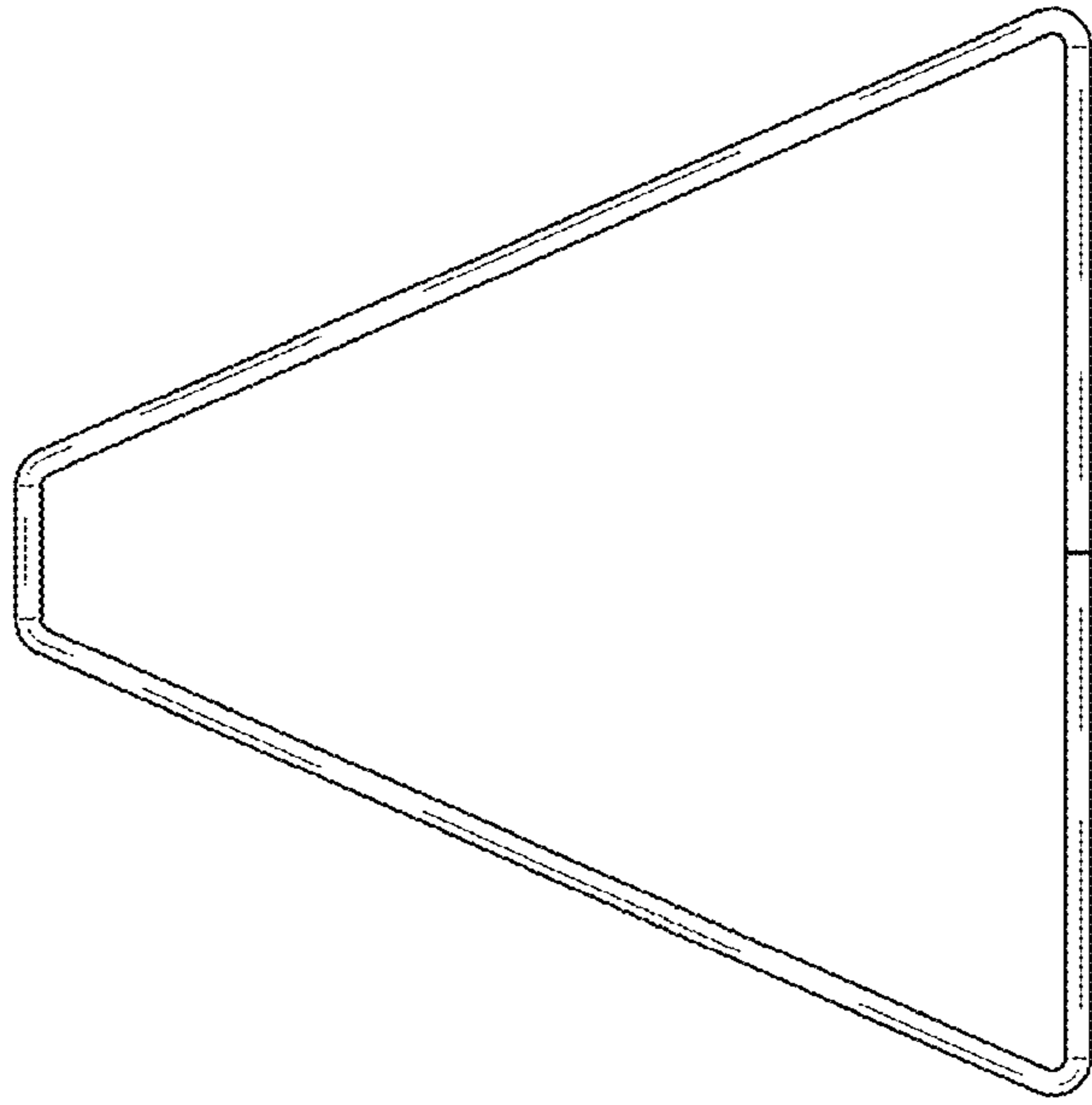


FIG. 4

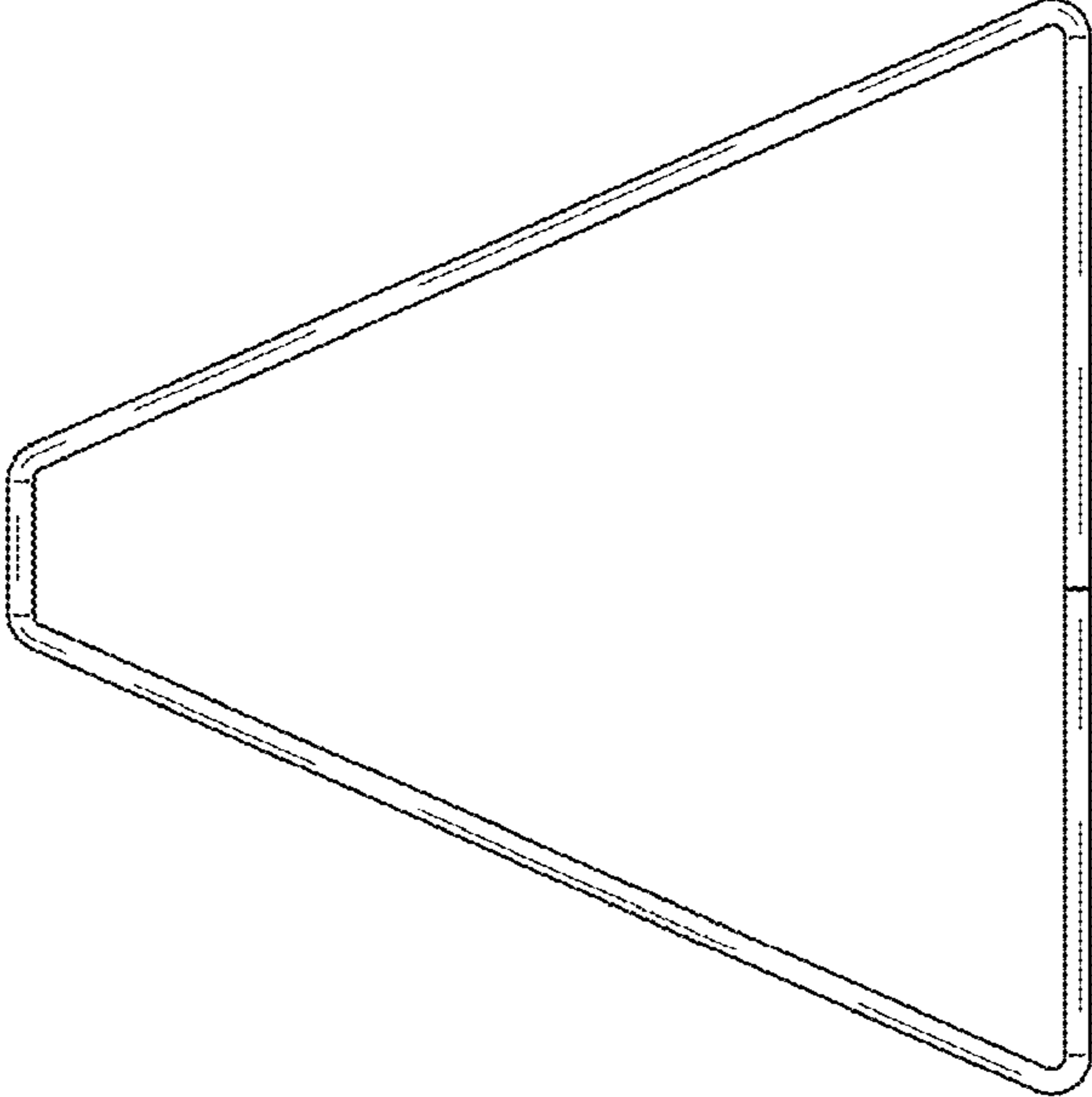


FIG. 5

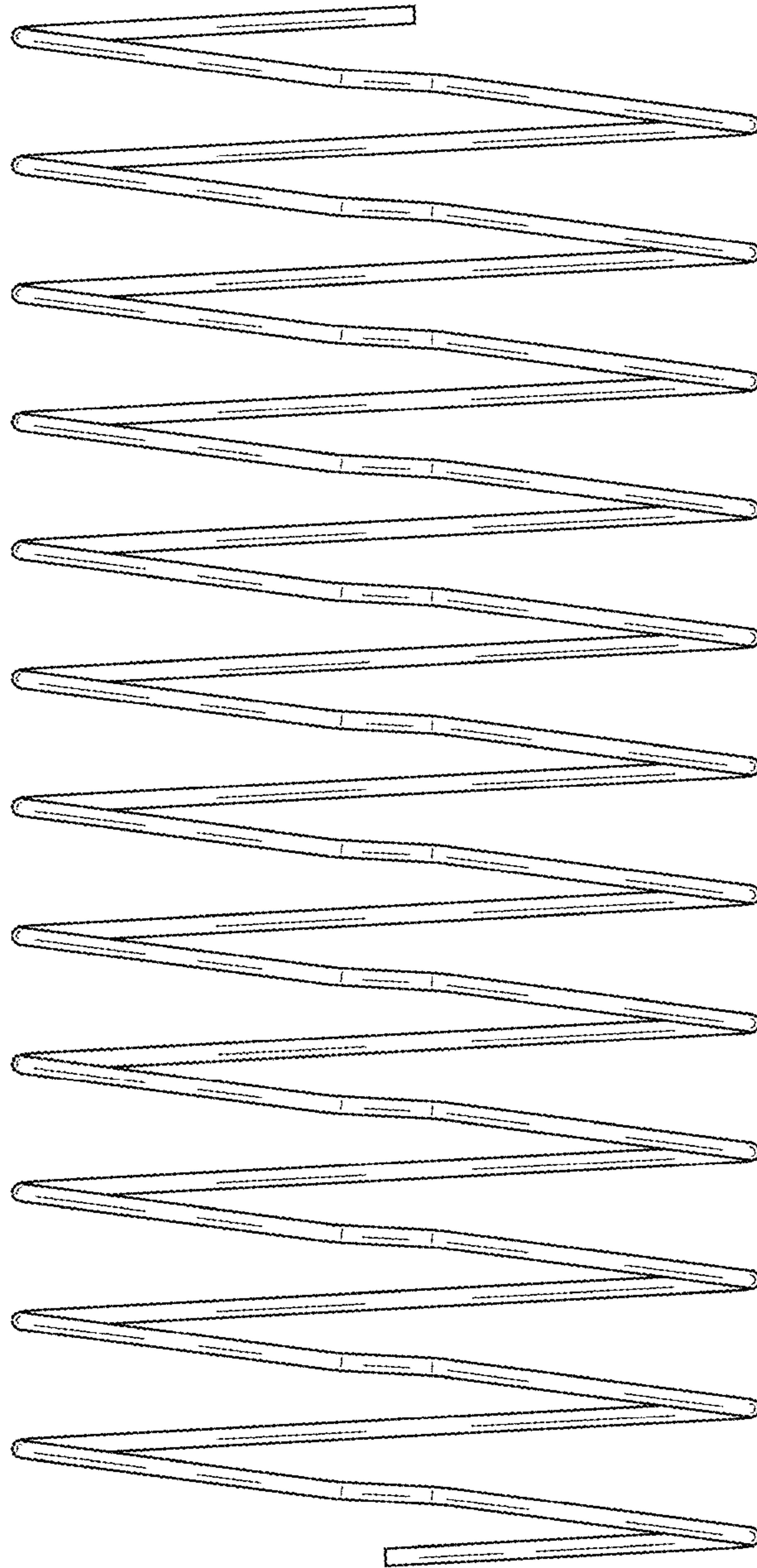


FIG. 6

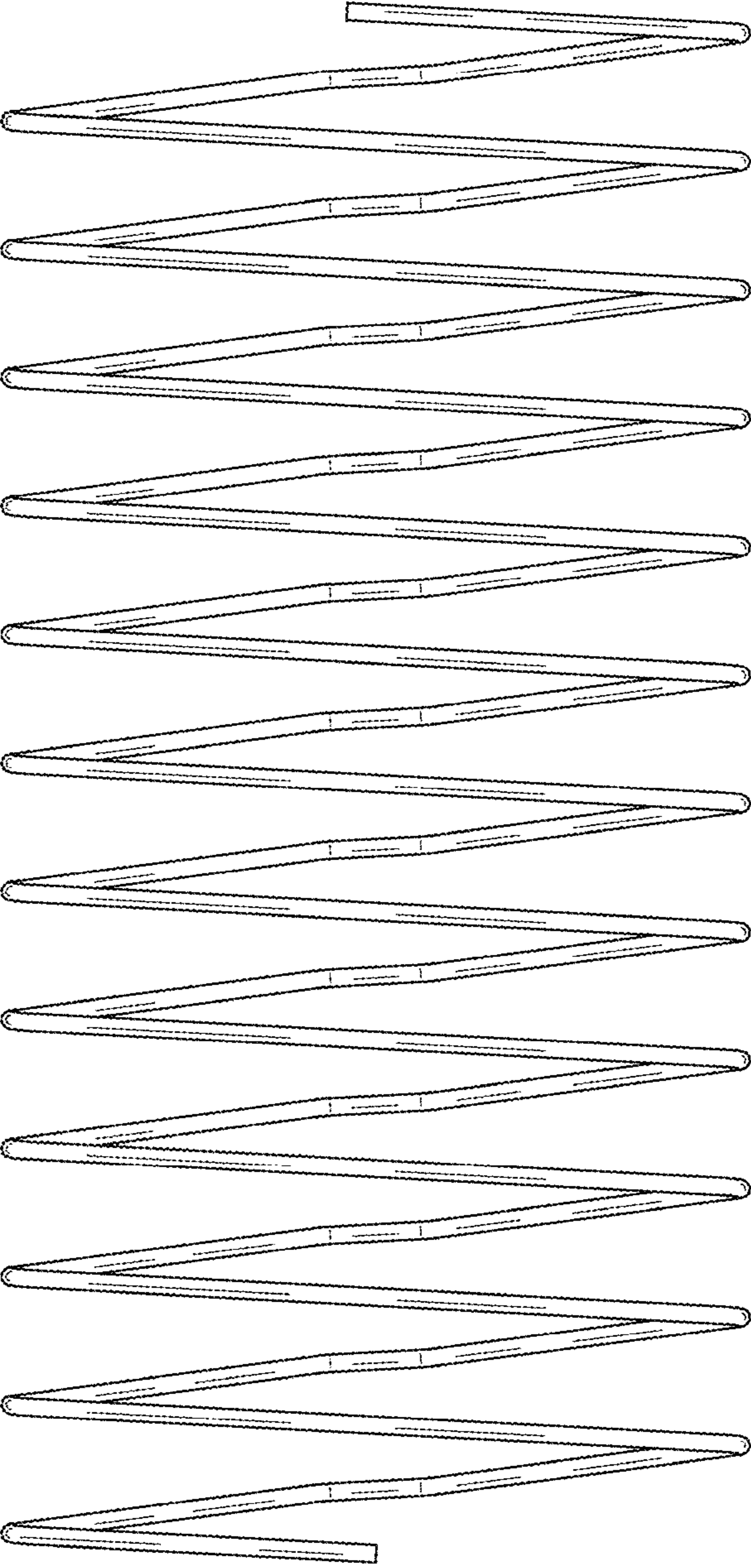


FIG. 7