



US00D922482S

(12) **United States Design Patent** (10) **Patent No.:** **US D922,482 S**
Douillette (45) **Date of Patent:** **** Jun. 15, 2021**

(54) **BOOKEND**

FOREIGN PATENT DOCUMENTS

(71) Applicant: **GEOMOD LLC**, New York, NY (US)
(72) Inventor: **Steven Joseph Douillette**, Everett, MA (US)

CN 302790215 * 4/2014
CN 303645658 * 4/2016
CN 304934212 * 12/2018
CN 305507296 * 12/2019
WO WO-2019236860 A1 * 12/2019 A47F 1/126

(73) Assignee: **Geomod LLC**, Quincy, MA (US)

OTHER PUBLICATIONS

(**) Term: **15 Years**

Amazon. Link: https://www.amazon.com/GEOMOD-Decorative-Geometric-Honeycomb-Bookends/dp/B07Y9K8LYN/ref=asc_df_B07Y9K8LYN/?tag=&linkCode=df0%E2%80%A6=undefined&th=1. Nov. 20, 2019. GEOMOD Honeycomb Metal Book Ends. (Year: 2019).*

(21) Appl. No.: **29/706,942**

Line. Link: <https://line.17qq.com/articles/qhwfqspmy.html>. Visited Apr. 20, 2021. Honeycomb Corner (p. 1). (Year: 2021).*

(22) Filed: **Sep. 25, 2019**

Amazon. Link: https://www.amazon.com/Beehive-Picture-Hangers-Measure-Free-Installation/dp/B014208LM2/ref=sr_1_30?dchild=1&keywords=honeycomb+corner%E2%80%A6. Aug. 17, 2015. Beehive Picture Hangers Original. (Year: 2015).*

(51) **LOC (13) Cl.** **06-06**

Perigold. Link: <https://www.perigold.com/decor/pdp/phillips-collection-honeycomb-wall-decor-tpc11310.html>. Visited Apr. 20, 2021. Honeycomb Wall Décor by Phillips Collection. (Year: 2021).*

(52) **U.S. Cl.**

USPC **D19/34.3**

(58) **Field of Classification Search**

USPC D19/34.1–34.5, 90, 91, 100, 96, 97;
D6/706, 672, 574

CPC A47B 57/58; A47B 65/20; A47B 65/15
See application file for complete search history.

* cited by examiner

(56) **References Cited**

Primary Examiner — Lauren D McVey

U.S. PATENT DOCUMENTS

(57) **CLAIM**

The ornamental design for a bookend, as shown and described.

- D24,780 S * 10/1895 King D6/574
- D154,613 S * 7/1949 Leitner D19/34.3
- D167,809 S * 9/1952 Roop D7/631
- 4,372,000 A * 2/1983 Hurd A01K 47/02
449/43
- D742,869 S * 11/2015 Odhwani D14/250
- 10,034,557 B1 * 7/2018 Nagel A47F 1/126
- D846,954 S * 4/2019 Goodman D7/631
- 10,251,494 B1 * 4/2019 Nagel A47F 5/005
- D892,500 S * 8/2020 LeTourneau D3/304
- D895,985 S * 9/2020 Shi D6/311
- D896,890 S * 9/2020 Dittrich D19/75
- 2009/0129014 A1 * 5/2009 Larsen H05K 7/186
361/692
- 2021/0052087 A1 * 2/2021 Nagel A47F 1/126

DESCRIPTION

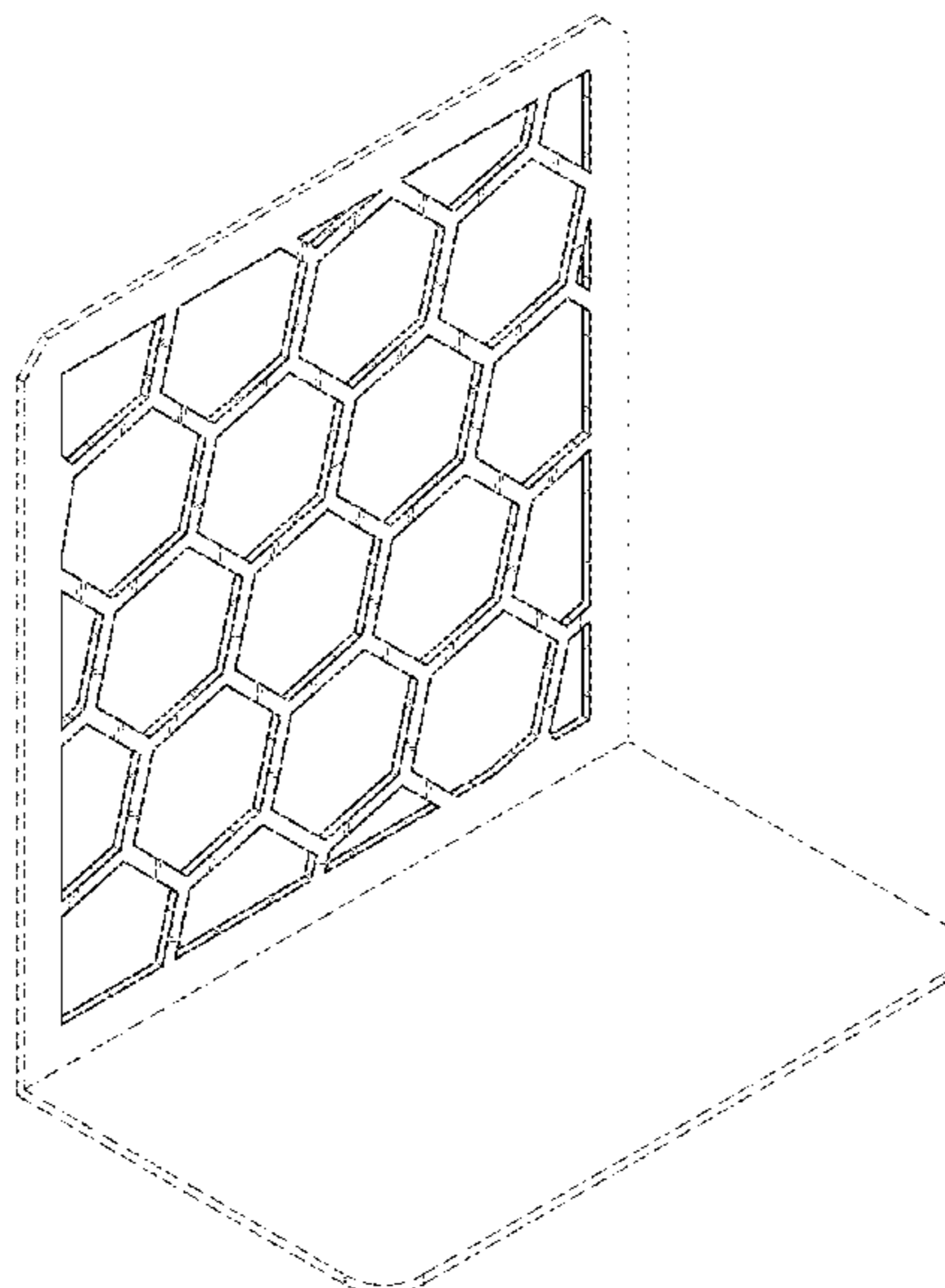
FIG. 1 is a front, side and top perspective view of a bookend showing my new design; and,

FIG. 2 is a close-up view thereof.

The bottom forms no part of the claimed design.

The broken lines immediately adjacent to the claim depict the bounds of the claimed design, while all other broken lines are directed to environment. The broken lines form no part of the claimed design.

1 Claim, 2 Drawing Sheets



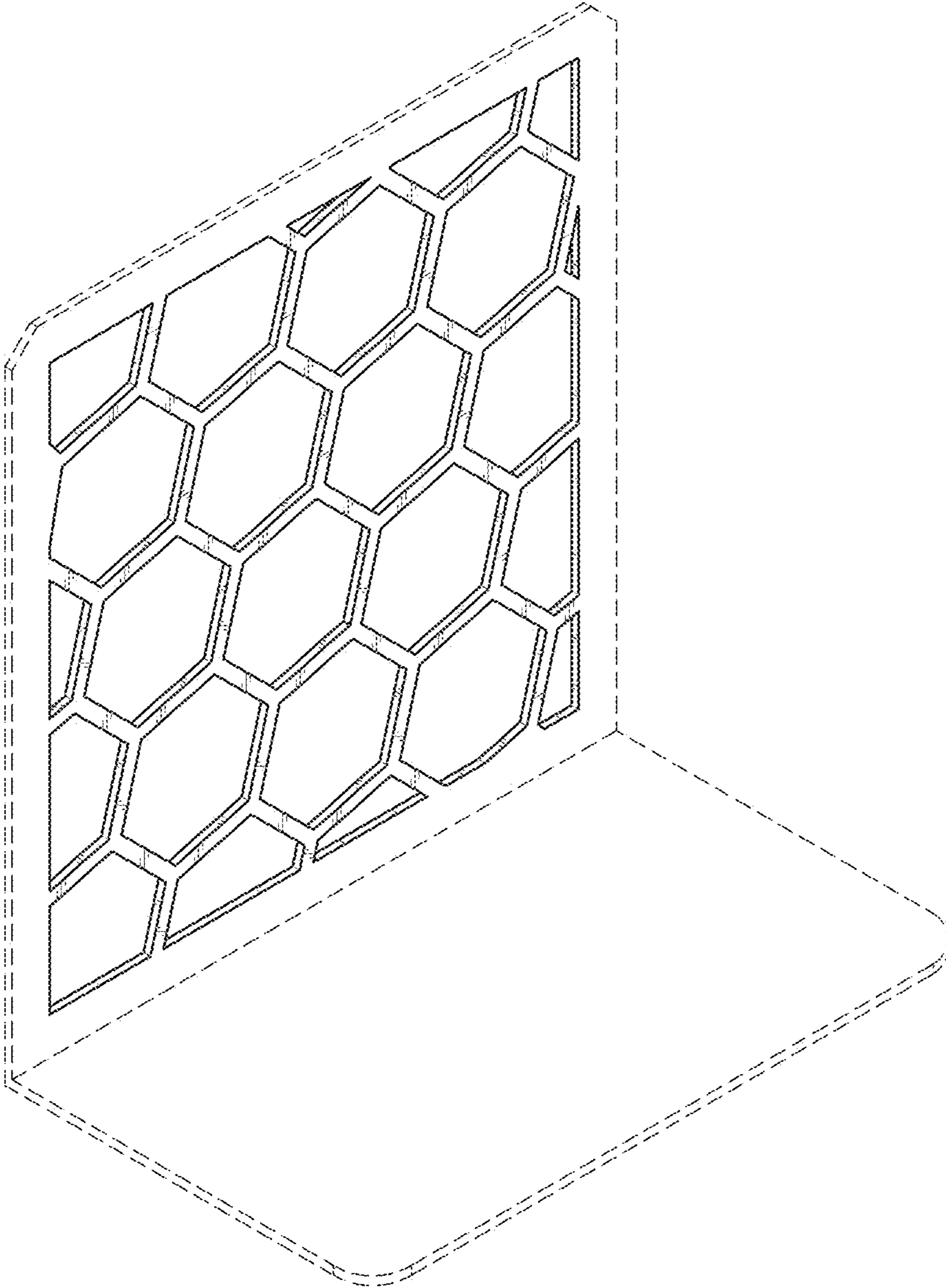


FIG. 1

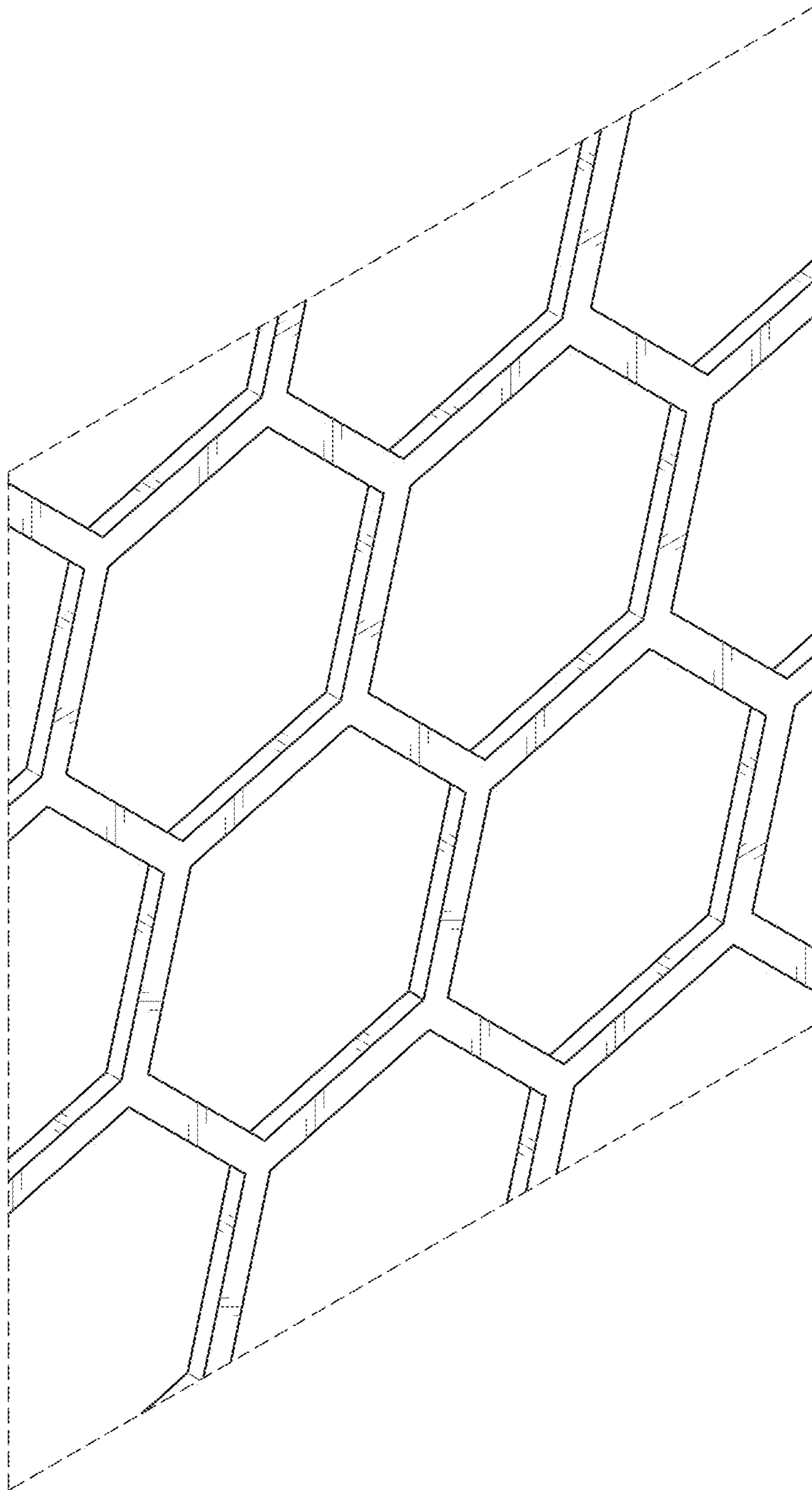


FIG. 2