



US00D922481S

(12) **United States Design Patent** (10) **Patent No.:** **US D922,481 S**
Douillette (45) **Date of Patent:** **** Jun. 15, 2021**

(54) **BOOKEND**

FOREIGN PATENT DOCUMENTS

(71) Applicant: **Steven Joseph Douillette**, Everett, MA (US)

CN 304251969 * 8/2017
DE M8906637-0002 * 10/1990
GB 4033457 * 2/2014

(72) Inventor: **Steven Joseph Douillette**, Everett, MA (US)

OTHER PUBLICATIONS

(73) Assignee: **Geomod LLC**, Quincy, MA (US)

(**) Term: **15 Years**

(21) Appl. No.: **29/706,944**

(22) Filed: **Sep. 25, 2019**

(51) **LOC (13) Cl.** **06-06**

(52) **U.S. Cl.**
USPC **D19/34.1**

(58) **Field of Classification Search**
USPC D19/34.1–34.5, 90, 91, 100, 96, 97;
D6/706, 672, 574
CPC A47B 57/58; A47B 65/20; A47B 65/15
See application file for complete search history.

Etsy. Link: https://www.etsy.com/listing/477415212/nyc-skyline-stencil-reusable-diy-craft?ga_order=most_relevant&ga_search_type=all&ga_view_type=gallery&ga_search_query=new+york+stencil&ref=sr_gallery-1-4&from_market_listing_grid_organic=1. Nov. 7, 2018. NYC Skyline Stencil. (Year: 2018).*
Etsy. Link: https://www.etsy.com/listing/500672900/new-york-skyline-frame-holds-5x7-photo?ref=listing_page_ad_row-8&plkey=93c32d55ad68e9bb518f0ed501e871d798cf2251%3A500672900&frs=1. Oct. 28, 2018. New York Skyline Frame—Holds 5x7 Photo. (Year: 2018).*
Target. Link: <https://www.target.com/p/seven20-harry-potter-hogwarts-castle-metal-bookends-for-harry-potter-books-collections/-/A-79371604#lnk=sametab>. Visited Apr. 23, 2021. Seven20 Harry Potter Hogwarts Castle Metal Bookends. (Year: 2021).*
Amazon. Link: https://www.amazon.com/Geomod-Decorative-Skyline-Bookends-Hardback/dp/B07VX1G964?ref_=ast_sto_dp. Geomod Bookends New York City. Sep. 24, 2019. (Year: 2019).*

* cited by examiner

Primary Examiner — Lauren D Mcvey

(56) **References Cited**

U.S. PATENT DOCUMENTS

431,373 A * 7/1890 Mendenhall A47B 57/583
211/43
D36,872 S * 4/1904 Aronson D19/97
D36,873 S * 4/1904 Aronson D19/97
D36,874 S * 4/1904 Aronson D19/97
D66,974 S * 4/1925 Katz D19/34.3
D70,511 S * 7/1926 Schaefer D19/34.2
D89,576 S * 4/1933 Roy et al. D19/34.3
D130,924 S * 12/1941 Rossi D19/34.2
D534,210 S * 12/2006 Vanderpool D19/3
D726,256 S * 4/2015 Thomson D19/34.1
D846,954 S * 4/2019 Goodman D7/631
D854,081 S * 7/2019 Jiao D19/1
D890,842 S * 7/2020 Tuang D19/90

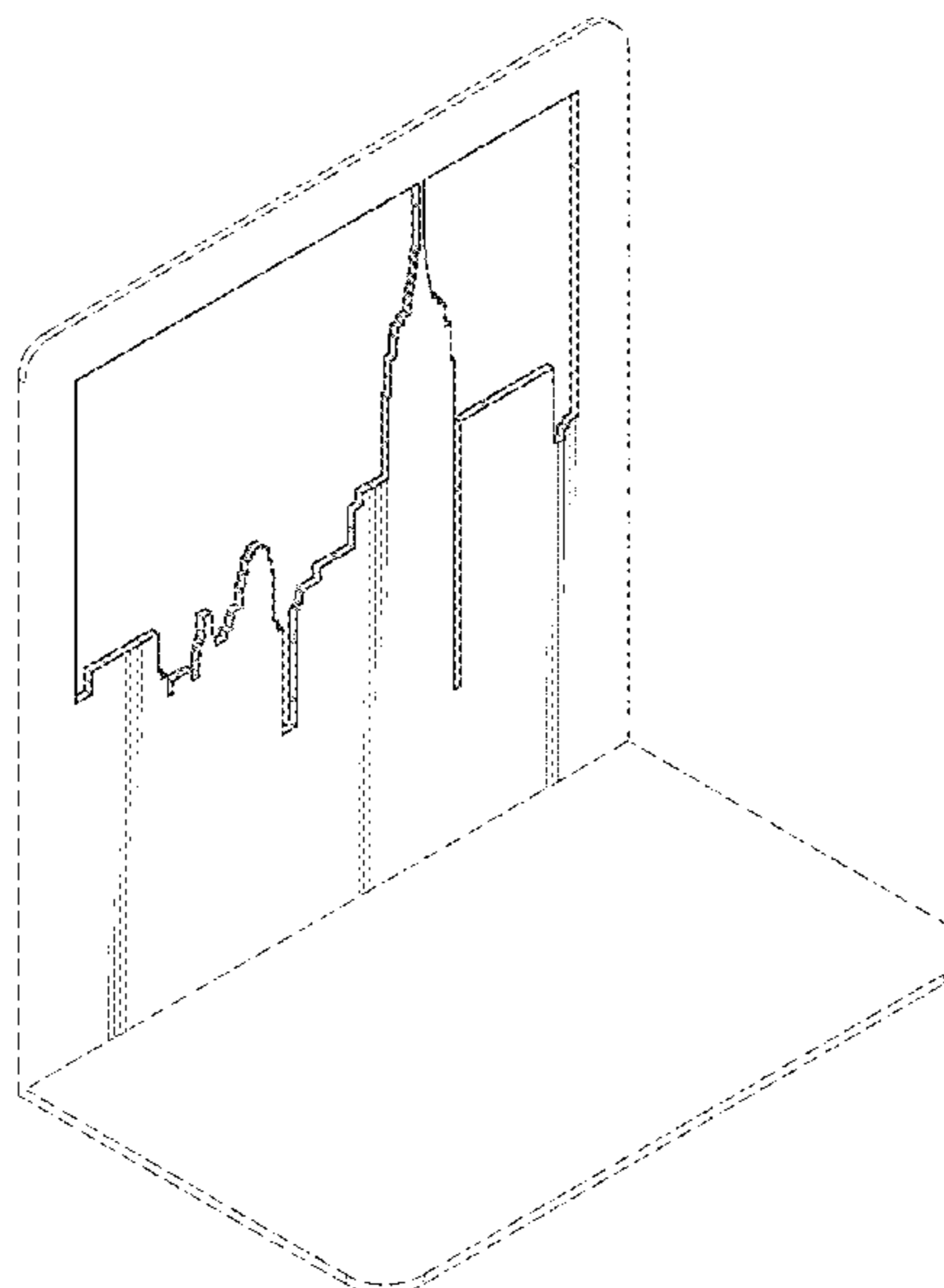
(57) **CLAIM**

The ornamental design for a bookend, as shown and described.

DESCRIPTION

FIG. 1 is a front, side and top perspective view of a bookend showing my new design; and,
FIG. 2 is a close-up view thereof.
The broken lines in FIG. 1 immediately adjacent to the claim depict the bounds of the claimed design, while all other broken lines are directed to environment. The broken lines form no part of the claimed design.

1 Claim, 2 Drawing Sheets



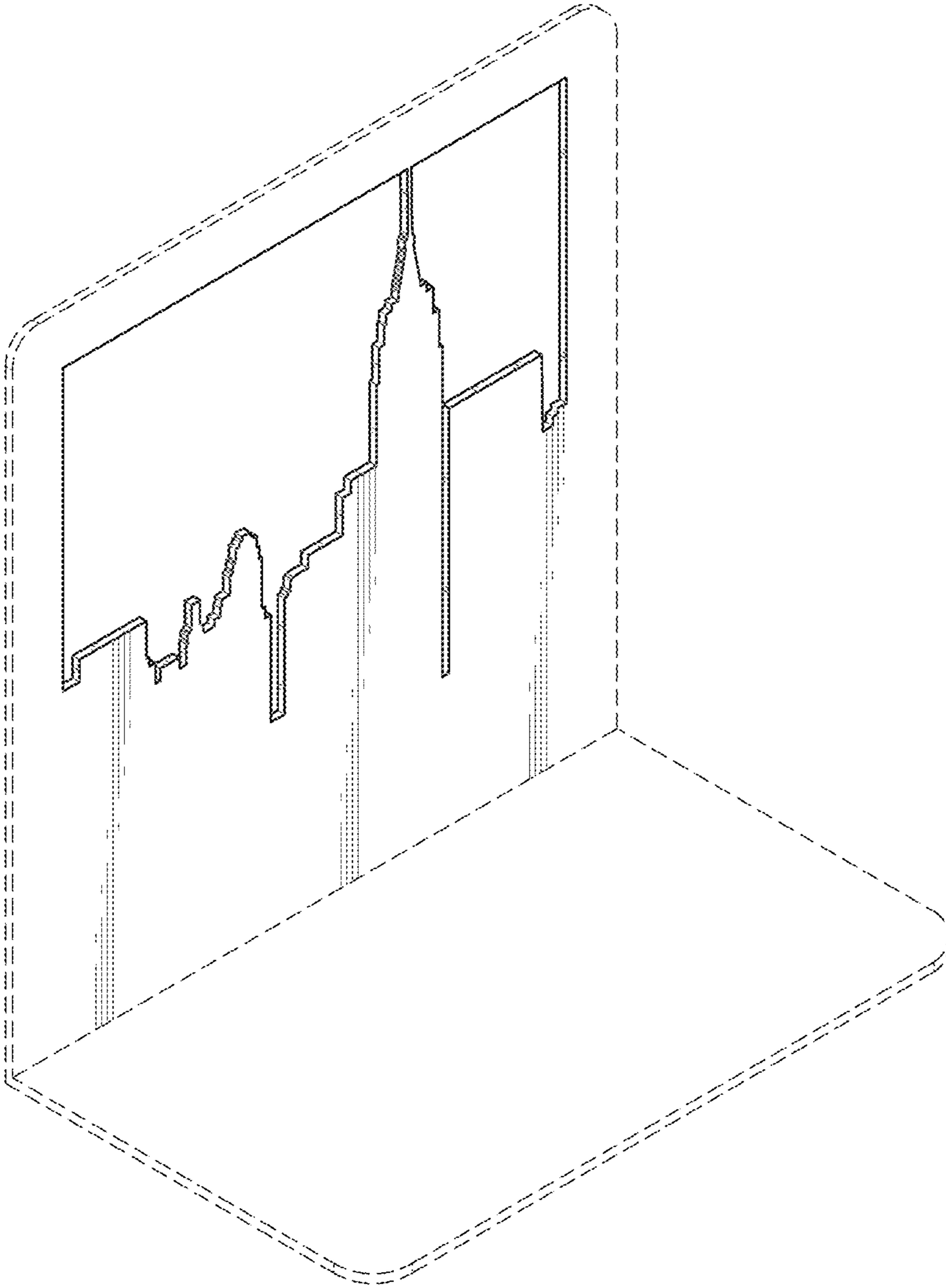


FIG. 1

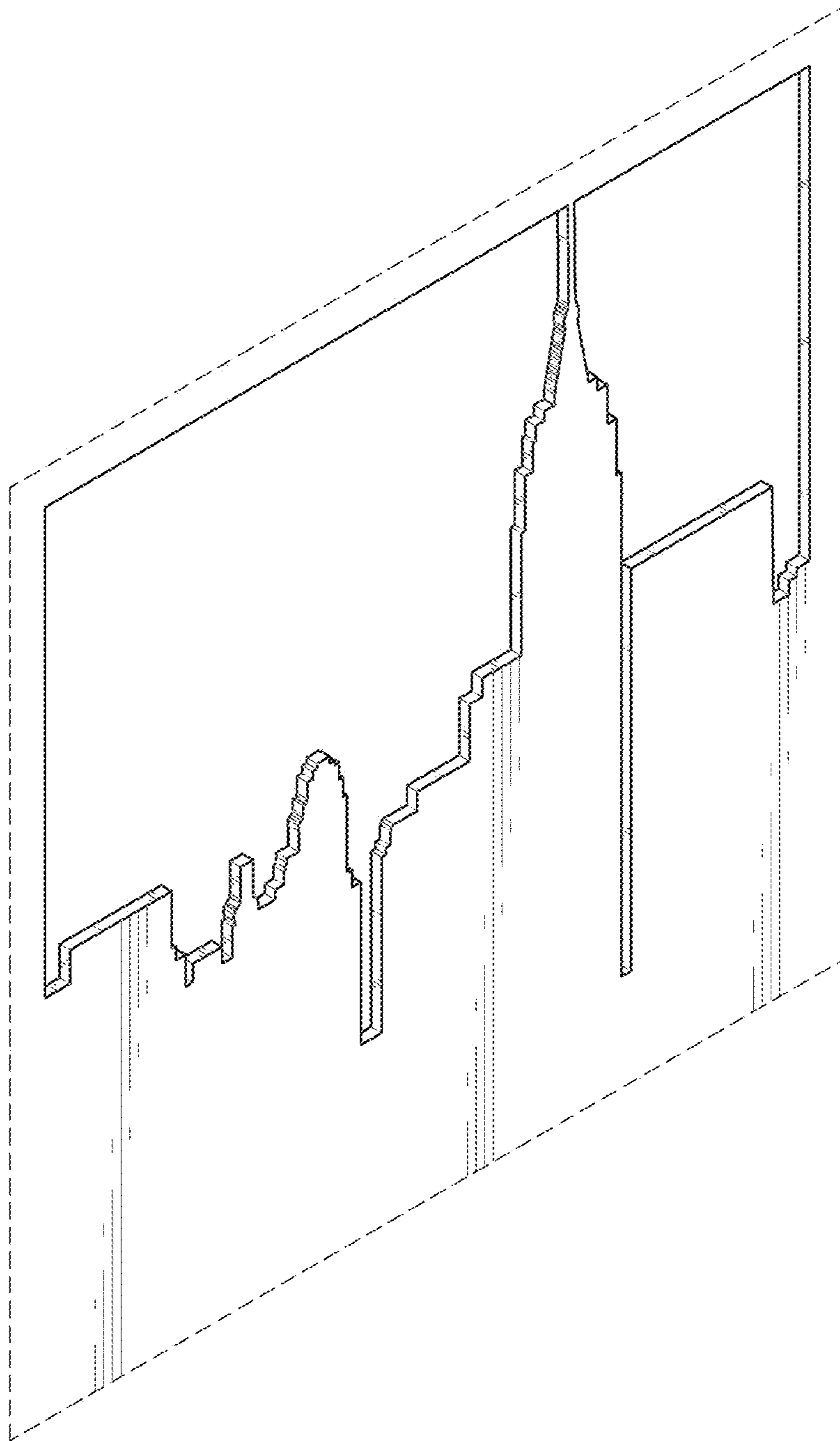


FIG. 2