



US00D922479S

(12) **United States Design Patent**  
**Tolstaya**

(10) **Patent No.:** **US D922,479 S**  
(45) **Date of Patent:** **\*\* Jun. 15, 2021**

(54) **CASH REGISTER**

(71) Applicant: **Tatiana Tolstaya**, Tallinn (EE)

(72) Inventor: **Tatiana Tolstaya**, Tallinn (EE)

(73) Assignee: **CINAMON Holding OÜ**, Tallium (EE)

(\*\*) Term: **15 Years**

(21) Appl. No.: **29/687,562**

(22) Filed: **Apr. 13, 2019**

(30) **Foreign Application Priority Data**

Feb. 20, 2019 (EM) ..... 006266839-0001

(51) **LOC (13) Cl.** ..... **18-01**

(52) **U.S. Cl.**

USPC ..... **D18/4.1; D18/4.4**

(58) **Field of Classification Search**

USPC ... D18/4.1, 3.1, 3.2, 3.3, 4.4, 12, 12.1, 12.2,  
D18/12.3, 46, 47, 56, 59, 2, 4.5, 4.6, 4.3,  
D18/4.2; D14/300, 301, 302, 303, 307,  
D14/308, 348, 349, 432, 439, 441, 448,  
D14/449, 462, 469, 471, 900, 901, 902;  
D10/96, 97; D99/28, 34, 35, 43, 99;  
D19/64, 65, 86, 95, 99, 100; D20/1, 8, 9;  
D15/122; D21/512

CPC .. G07D 11/00; G07D 11/009; G07D 11/0093;  
G07D 11/50; G07D 11/0003; G07D  
11/0021; G07D 11/0042; G07D 11/0081;  
G07D 11/0084; G07D 11/0006; G07D  
11/0009; G07D 2207/00; G07D 2211/00;  
G07D 7/00; G07D 7/04; G07G 1/00;  
G07G 1/0009; G07G 1/0036; G07G 1/10;  
G07G 1/12; G07F 19/20; G07F 19/205

See application file for complete search history.

(56) **References Cited**

**U.S. PATENT DOCUMENTS**

D81,411 S \* 6/1930 Shipley ..... D18/4.2  
D91,396 S \* 1/1934 Lorenz ..... D18/4.2

D96,715 S \* 8/1935 Williams ..... D18/4.2  
2,404,170 A \* 7/1946 Bubelmann ..... G06C 21/04  
235/130 R  
D161,689 S \* 1/1951 Grant ..... D14/448  
D192,938 S \* 5/1962 Barberis ..... D18/4.1  
D198,584 S \* 7/1964 Rindsfuesser ..... D18/4.1  
3,209,998 A \* 10/1965 Worst ..... G06F 3/0227  
235/61 PS  
D204,413 S \* 4/1966 Crease et al. .... D18/4.1  
D206,385 S \* 12/1966 Kuramochi ..... D21/512  
D213,352 S \* 2/1969 Hermann ..... D18/4.1  
D220,720 S \* 5/1971 Kitai ..... D18/4.1  
D226,632 S \* 4/1973 Jackson ..... D18/4.1  
D233,564 S \* 11/1974 Frick ..... D18/12  
D240,633 S \* 7/1976 Haufner et al. .... D99/28  
D240,654 S \* 7/1976 Dobashi et al. .... D18/4.4

(Continued)

*Primary Examiner* — Maria D. Fast Horse

(74) *Attorney, Agent, or Firm* — Inventa Capital PLC

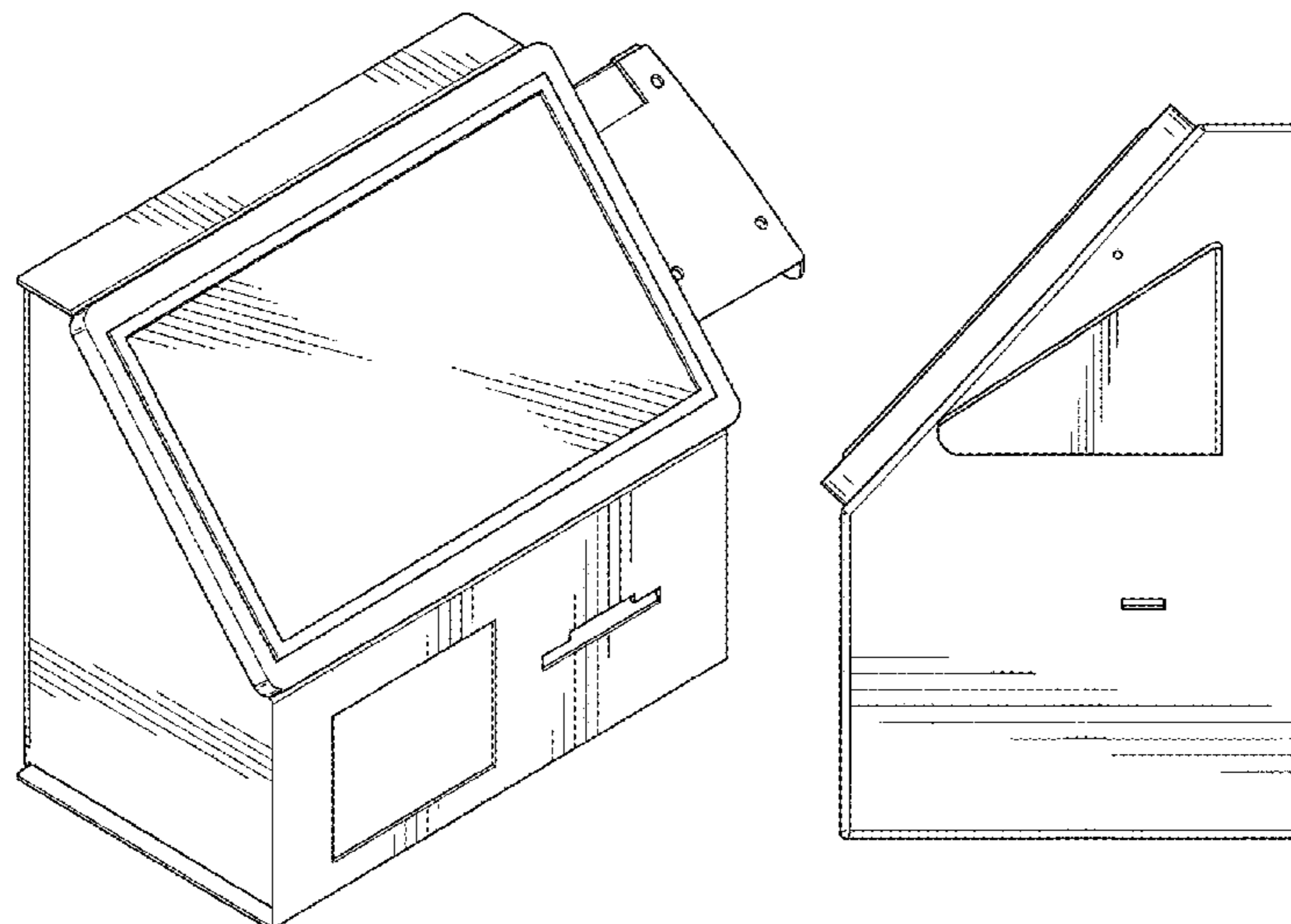
(57) **CLAIM**

I claim the ornamental design for a cash register, as shown and described.

**DESCRIPTION**

FIG. 1 is an isometric view of a cash register of the present invention taken from a left angle;  
FIG. 2 is another isometric view of the cash register taken from a right angle;  
FIG. 3 is a front view of the cash register;  
FIG. 4 is a left side view of the cash register;  
FIG. 5 is a right side view of the cash register;  
FIG. 6 is a top view of the cash register;  
FIG. 7 is a bottom view of the cash register; and,  
FIG. 8 is a rear view of the cash register.  
The broken lines in the drawings depict portions of the cash register that form no part of the claimed design.

**1 Claim, 7 Drawing Sheets**



(56)

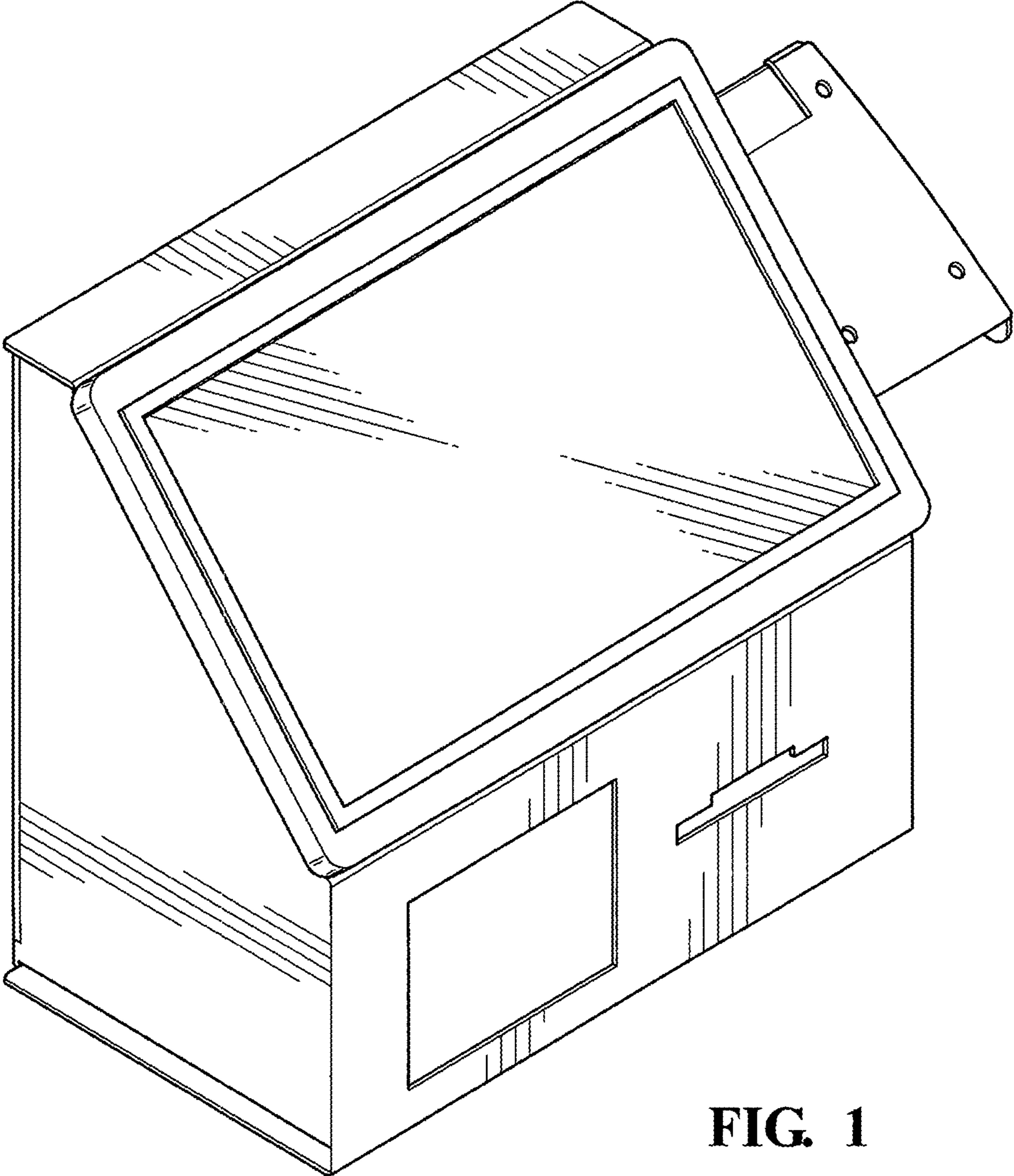
## References Cited

## U.S. PATENT DOCUMENTS

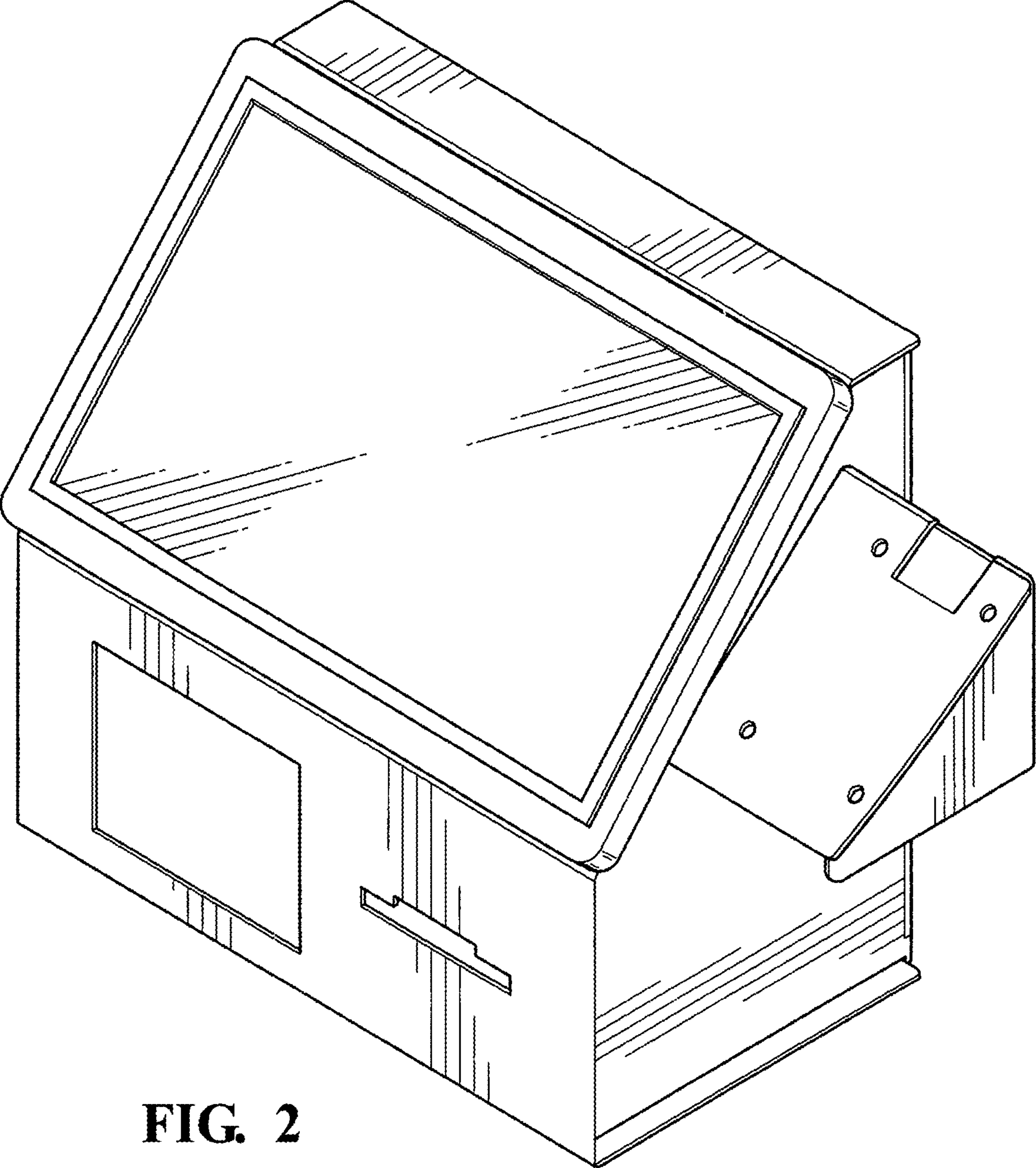
- D241,572 S \* 9/1976 Dobashi et al. .... D18/4.1  
D258,826 S \* 4/1981 Aderman ..... D18/4.1  
D264,466 S \* 5/1982 Davis ..... D14/303  
D268,062 S \* 2/1983 Chance ..... D99/28  
D269,441 S \* 6/1983 Matsuda ..... D18/4.3  
D269,623 S \* 7/1983 Kato ..... D18/4.1  
D273,023 S \* 3/1984 Chalabian ..... D20/6  
D278,831 S \* 5/1985 Bressler ..... D10/97  
D279,479 S \* 7/1985 Hilton ..... D18/3.3  
D279,566 S \* 7/1985 Case ..... D18/4.4  
D279,578 S \* 7/1985 Nishida ..... D18/3.3  
D279,579 S \* 7/1985 Nishida ..... D18/3.3  
D287,591 S \* 1/1987 Kaplan ..... D14/387  
D298,038 S \* 10/1988 Brown ..... D18/4.6  
D302,621 S \* 8/1989 Nishida ..... D99/28  
D303,984 S \* 10/1989 Tsukada ..... D18/54.1  
D306,719 S \* 3/1990 Austin ..... D18/4.6  
D308,858 S \* 6/1990 Tarver ..... D18/4.6  
D308,859 S \* 6/1990 Tarver ..... D18/4.6  
D309,296 S \* 7/1990 Kohler ..... D18/4.6  
D309,908 S \* 8/1990 Quinn ..... D18/4.1  
D310,212 S \* 8/1990 Forsythe ..... D14/902  
D311,178 S \* 10/1990 Goodner ..... D18/4.6  
D312,832 S \* 12/1990 Forsythe ..... D18/4.4  
D315,361 S \* 3/1991 Kojima ..... D18/55  
D317,756 S \* 6/1991 Fabri ..... D18/4.6  
D319,633 S \* 9/1991 Nogawa ..... D18/4.4  
D320,036 S \* 9/1991 Chen ..... D18/4.3  
D325,456 S \* 4/1992 Scaife ..... D99/28  
D327,102 S \* 6/1992 Martin ..... D21/512  
D328,203 S \* 7/1992 Allen ..... D18/59  
D337,276 S \* 7/1993 Yuen ..... D10/15  
D338,454 S \* 8/1993 Savio ..... D18/4.6  
D338,878 S \* 8/1993 Savio ..... D18/4.5  
D342,239 S \* 12/1993 Hermann ..... D18/4.6  
D342,240 S \* 12/1993 Saillant ..... D18/4.6  
D345,966 S \* 4/1994 Perez ..... D18/4.5  
D346,594 S \* 5/1994 Skaggs ..... D14/375  
D346,794 S \* 5/1994 Arakaki ..... D18/4.6  
D360,196 S \* 7/1995 Cox ..... D18/4.5  
D362,239 S \* 9/1995 Je ..... D18/4.6  
D362,427 S \* 9/1995 Mizusugi ..... D18/4.4  
D374,452 S \* 10/1996 Sato ..... D18/50  
D378,098 S \* 2/1997 Sato ..... D18/50  
D385,904 S \* 11/1997 Kim ..... D18/4.4  
D388,229 S \* 12/1997 Couch ..... D18/4.6  
D389,522 S \* 1/1998 Hesselbach ..... D14/371  
D389,813 S \* 1/1998 Itoh ..... D18/4.5  
D410,441 S \* 6/1999 Lin ..... D14/314  
D418,550 S \* 1/2000 Powell ..... D21/512  
D420,040 S \* 2/2000 Mizusugi ..... D18/4.4  
6,042,007 A \* 3/2000 Nugent, Jr. .... G07G 1/0018  
235/383  
D423,474 S \* 4/2000 Tierney, II ..... D14/146  
6,062,478 A \* 5/2000 Izaguirre ..... G06F 1/16  
235/462.43  
D428,047 S \* 7/2000 Kolls ..... D18/4.6  
D428,444 S \* 7/2000 McGarrah ..... D20/8  
D433,701 S \* 11/2000 Chiu ..... D18/4.6  
D437,890 S \* 2/2001 McGarrah ..... D20/8  
D441,401 S \* 5/2001 McGarrah ..... D20/8  
D445,124 S \* 7/2001 Naito ..... D18/3.3  
D448,756 S \* 10/2001 Lewellen ..... D14/217  
D451,535 S \* 12/2001 Lee ..... D18/4.6  
D452,276 S \* 12/2001 Hurwitz ..... D19/86  
D459,813 S \* 7/2002 Ramsey, III ..... D14/336  
D468,735 S \* 1/2003 Landerholm ..... D14/336  
D474,228 S \* 5/2003 Katou ..... D18/4.3  
D486,827 S \* 2/2004 Detallante ..... D14/420  
D507,592 S \* 7/2005 Mizusugi ..... D18/4.1  
D577,206 S \* 9/2008 Chang ..... D6/300  
D614,687 S \* 4/2010 Ono ..... D18/4.5  
D615,583 S \* 5/2010 Ono ..... D18/4.5  
D617,830 S \* 6/2010 Lecheheb ..... D18/59  
D658,710 S \* 5/2012 Mori ..... D18/4.3  
D672,342 S \* 12/2012 Herreid, II ..... D14/308  
D673,952 S \* 1/2013 Toda ..... D14/383  
D676,481 S \* 2/2013 Ohno ..... D18/4.5  
D679,745 S \* 4/2013 Helgesson ..... D18/4.4  
D681,030 S \* 4/2013 Yopez ..... D14/307  
D681,717 S \* 5/2013 Helgesson ..... D18/4.6  
D690,137 S \* 9/2013 Kikkert ..... D6/672  
D690,138 S \* 9/2013 Kikkert ..... D6/672  
D697,506 S \* 1/2014 Bianco ..... D14/336  
D703,311 S \* 4/2014 Daly ..... D24/110  
8,700,473 B1 \* 4/2014 Lindemann ..... G06Q 20/1085  
705/24  
D720,393 S \* 12/2014 Held ..... D18/4.4  
D737,702 S \* 9/2015 Selberg ..... D10/81  
D741,853 S \* 10/2015 Barron ..... D14/336  
D745,599 S \* 12/2015 Tanaka ..... D18/19  
D750,163 S \* 2/2016 Arima ..... D18/50  
D757,162 S \* 5/2016 Lyons ..... D18/50  
D770,451 S \* 11/2016 Gilbertson ..... D14/383  
D782,466 S \* 3/2017 Yopez ..... D14/307  
D789,362 S \* 6/2017 Eljas ..... D14/366  
D797,744 S \* 9/2017 Tan ..... D14/422  
D798,378 S \* 9/2017 Kim ..... D18/4.6  
D811,383 S \* 2/2018 Diasabeygunawardena .....  
D14/336  
D818,530 S \* 5/2018 Yeruva ..... D18/50  
D834,015 S \* 11/2018 Case ..... D14/371  
10,181,240 B2 \* 1/2019 Fujimoto ..... G07G 1/0018  
D853,679 S \* 7/2019 King ..... D99/43  
D886,189 S \* 6/2020 Koh ..... D18/4.4  
D888,705 S \* 6/2020 Saito ..... D14/307  
2001/0011680 A1 \* 8/2001 Soltesz ..... G07C 9/257  
235/379  
2002/0079364 A1 \* 6/2002 Davies ..... G07F 19/201  
235/381  
2007/0038517 A1 \* 2/2007 Lin ..... G07G 1/0018  
705/17  
2008/0182639 A1 \* 7/2008 Antonopoulos ..... G07F 9/0235  
463/17  
2015/0025985 A1 \* 1/2015 Inagawa ..... G06F 1/1632  
705/16  
2016/0232508 A1 \* 8/2016 Nishiie ..... H04L 9/3231  
2016/0335614 A1 \* 11/2016 Norota ..... G06Q 20/1085  
2018/0341940 A1 \* 11/2018 Suzuki ..... G06F 13/4081

\* cited by examiner





**FIG. 1**



**FIG. 2**

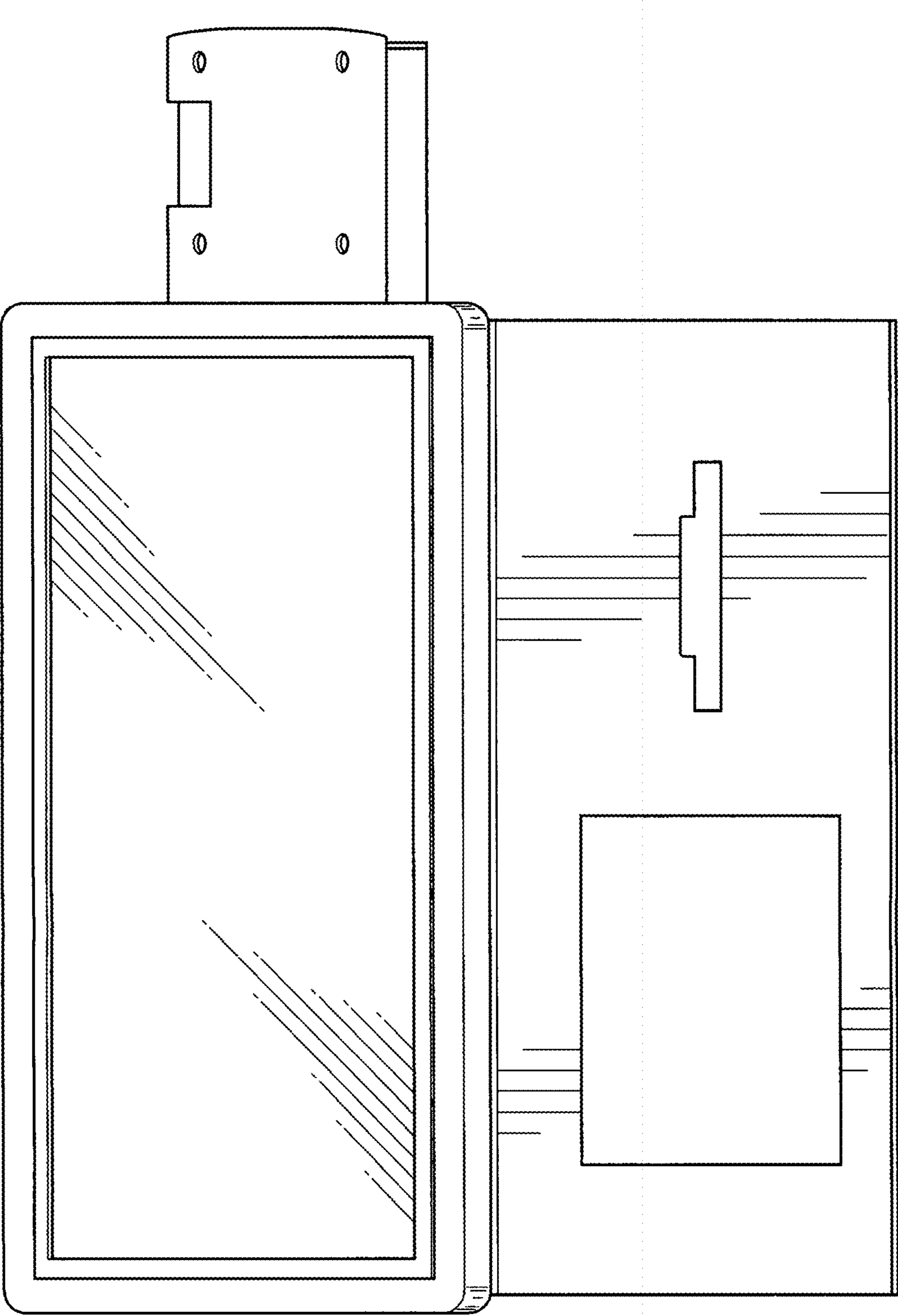


FIG. 3

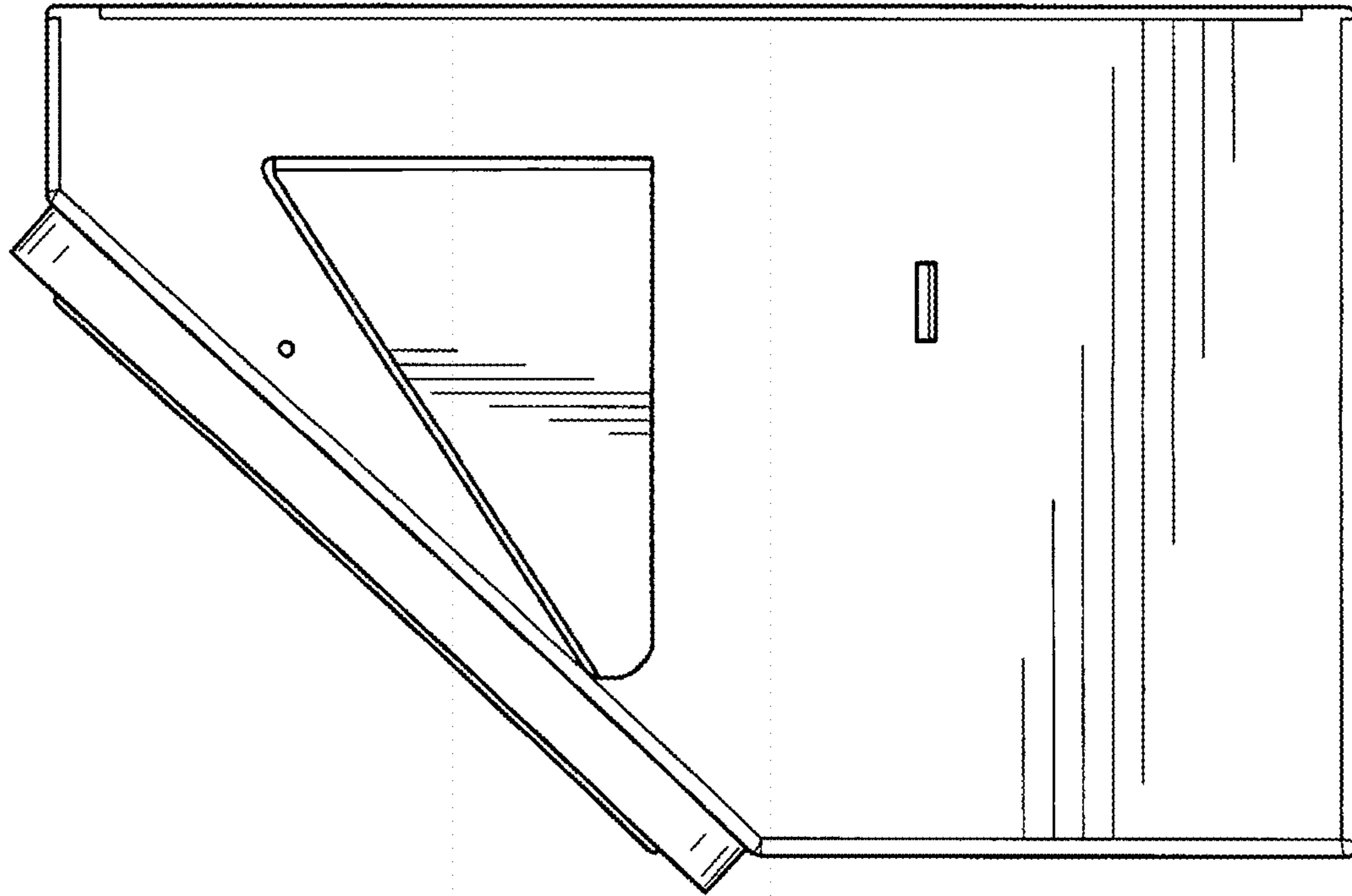


FIG. 5

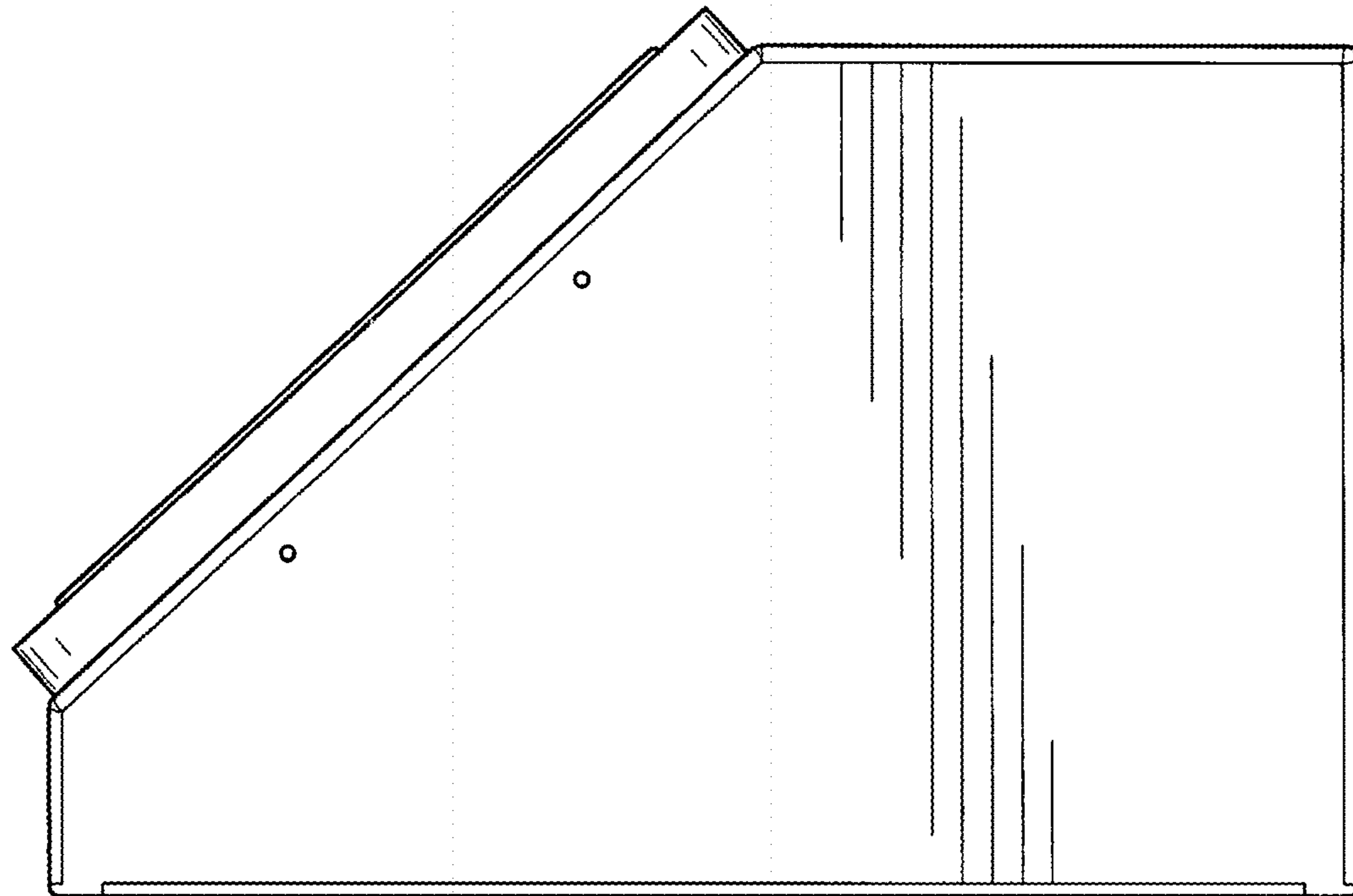


FIG. 4



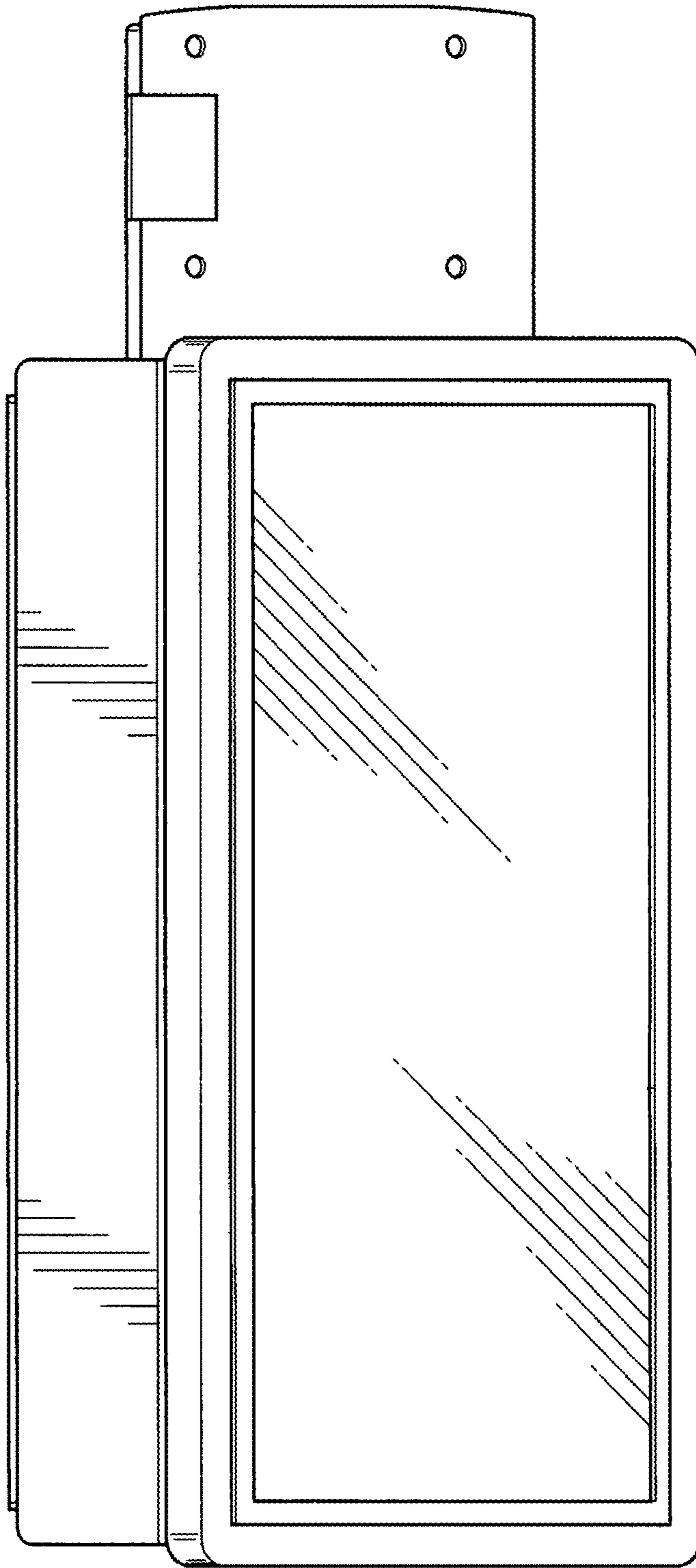


FIG. 6

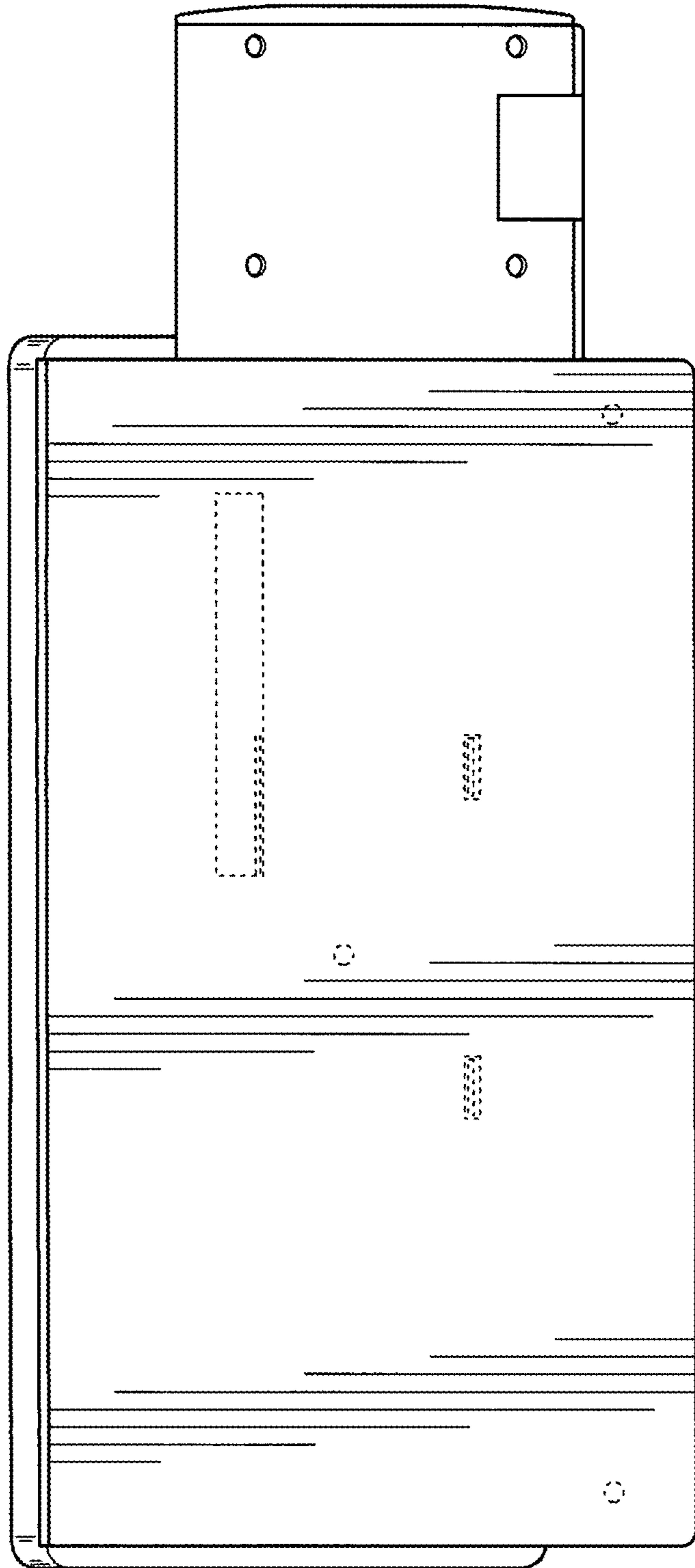


FIG. 7



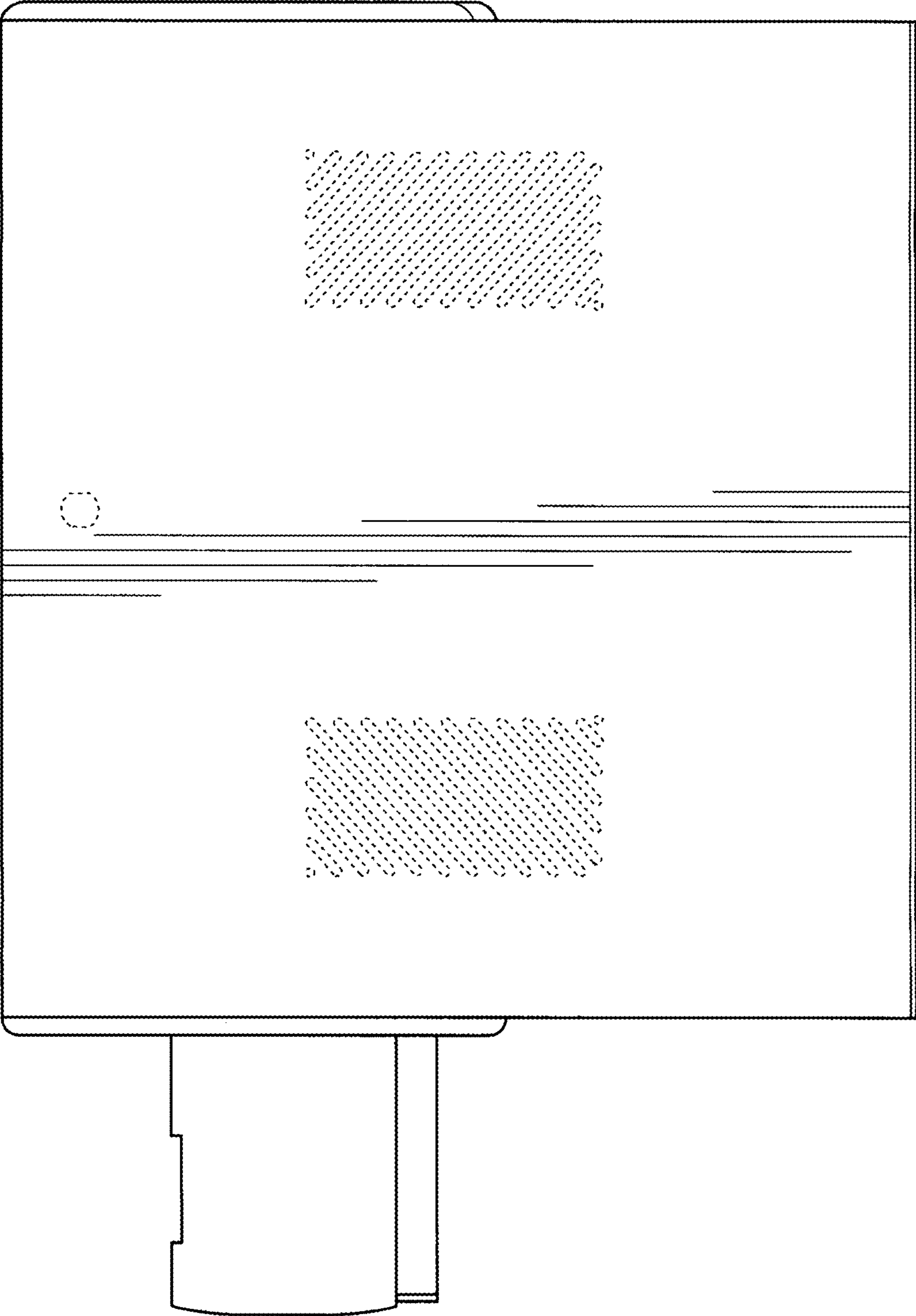


FIG. 8