



US00D922478S

(12) **United States Design Patent**  
**Tafoya**

(10) **Patent No.:** **US D922,478 S**

(45) **Date of Patent:** **\*\* Jun. 15, 2021**

(54) **CAJÓN DRUM**

(71) Applicant: **Aaron A Tafoya**, St Paul, MN (US)

(72) Inventor: **Aaron A Tafoya**, St Paul, MN (US)

(\*\*) Term: **15 Years**

(21) Appl. No.: **29/720,436**

(22) Filed: **Jan. 13, 2020**

(51) **LOC (13) Cl.** ..... **17-04**

(52) **U.S. Cl.**  
USPC ..... **D17/22**

(58) **Field of Classification Search**  
USPC ..... D17/22, 99; D21/405  
CPC ..... G10D 13/00; G10D 13/01; G10D 13/02;  
G10D 13/20; G10D 99/00  
See application file for complete search history.

(56) **References Cited**

**U.S. PATENT DOCUMENTS**

4,168,064	A *	9/1979	Petrovic	.....	A63B 60/40
					473/466
4,779,507	A *	10/1988	Shimoda	.....	G10D 13/06
					84/402
D298,949	S *	12/1988	Fukuoka	.....	D17/22
D320,035	S *	9/1991	Magruder	.....	D17/22
D571,851	S *	6/2008	Myers	.....	D17/22
D841,729	S *	2/2019	Kakehashi	.....	D17/22

10,249,272	B2 *	4/2019	Sikra	.....	G10D 13/10
2011/0296973	A1 *	12/2011	Herrera	.....	G10D 13/02
					84/411 R
2013/0068083	A1 *	3/2013	Eduardo	.....	G10D 13/02
					84/411 R
2013/0177174	A1 *	7/2013	Pires	.....	G10D 13/02
					381/118
2014/0208925	A1 *	7/2014	Osborne	.....	G10D 13/02
					84/725
2015/0114206	A1 *	4/2015	Krol	.....	G10D 13/20
					84/417

\* cited by examiner

*Primary Examiner* — R. Johnson

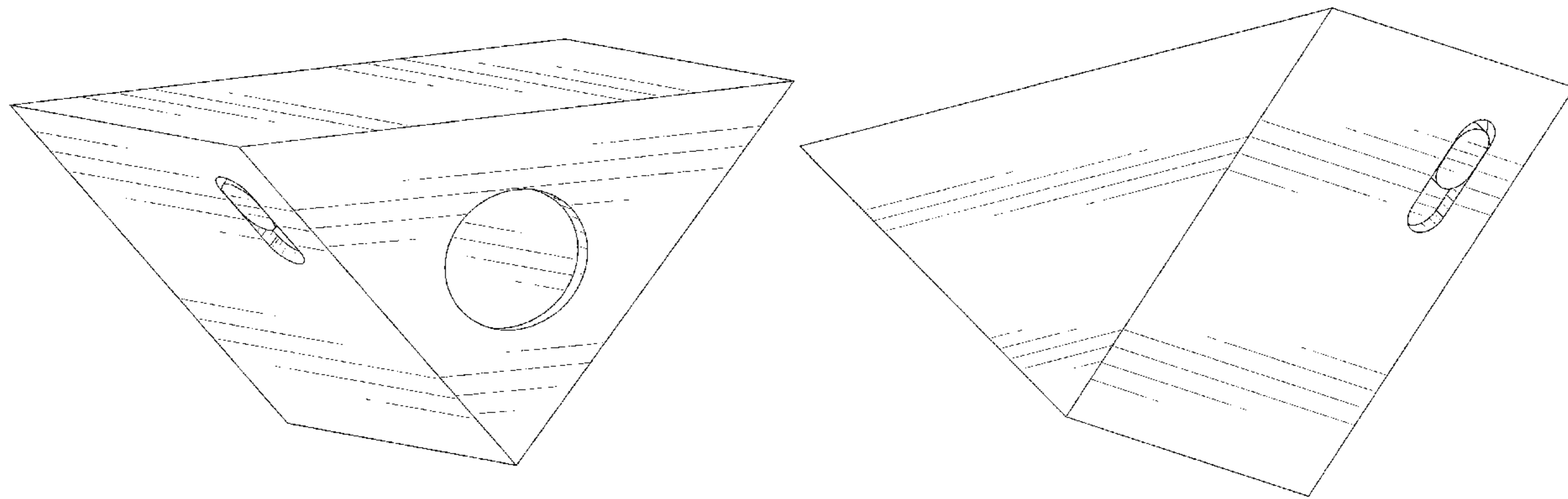
(57) **CLAIM**

The ornamental design for a cajón drum, as shown and described.

**DESCRIPTION**

FIG. 1 is a top-front-right perspective view of a cajón drum showing my new design;  
FIG. 2 is a top-front-left perspective view thereof;  
FIG. 3 is a bottom-rear-left perspective view thereof;  
FIG. 4 is a front elevational view thereof;  
FIG. 5 is a rear elevational view thereof;  
FIG. 6 is a top plan view thereof;  
FIG. 7 is a bottom view thereof;  
FIG. 8 is a right-side elevational view thereof; and,  
FIG. 9 is a left-side elevational view thereof.

**1 Claim, 9 Drawing Sheets**



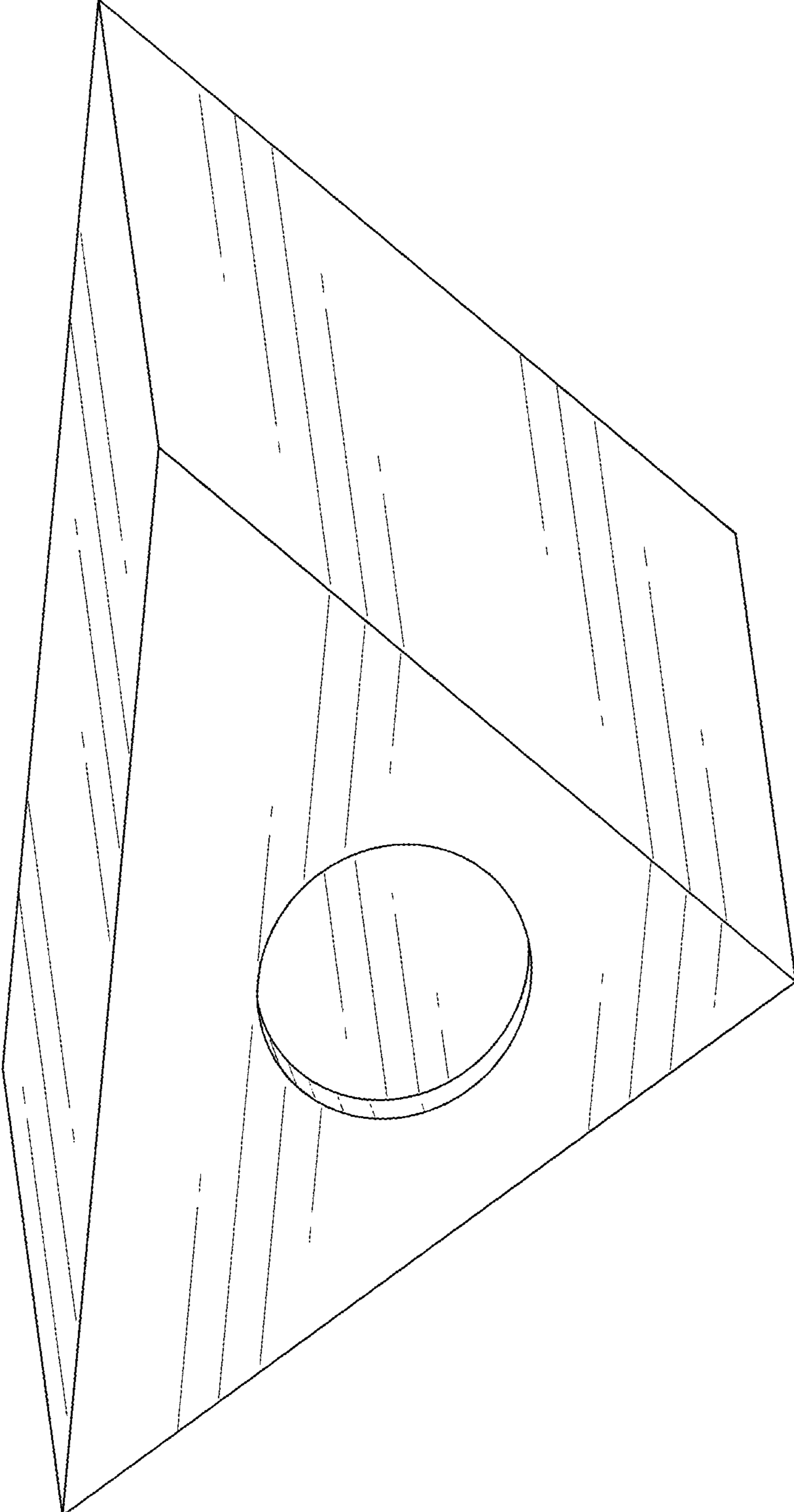


FIG. 1

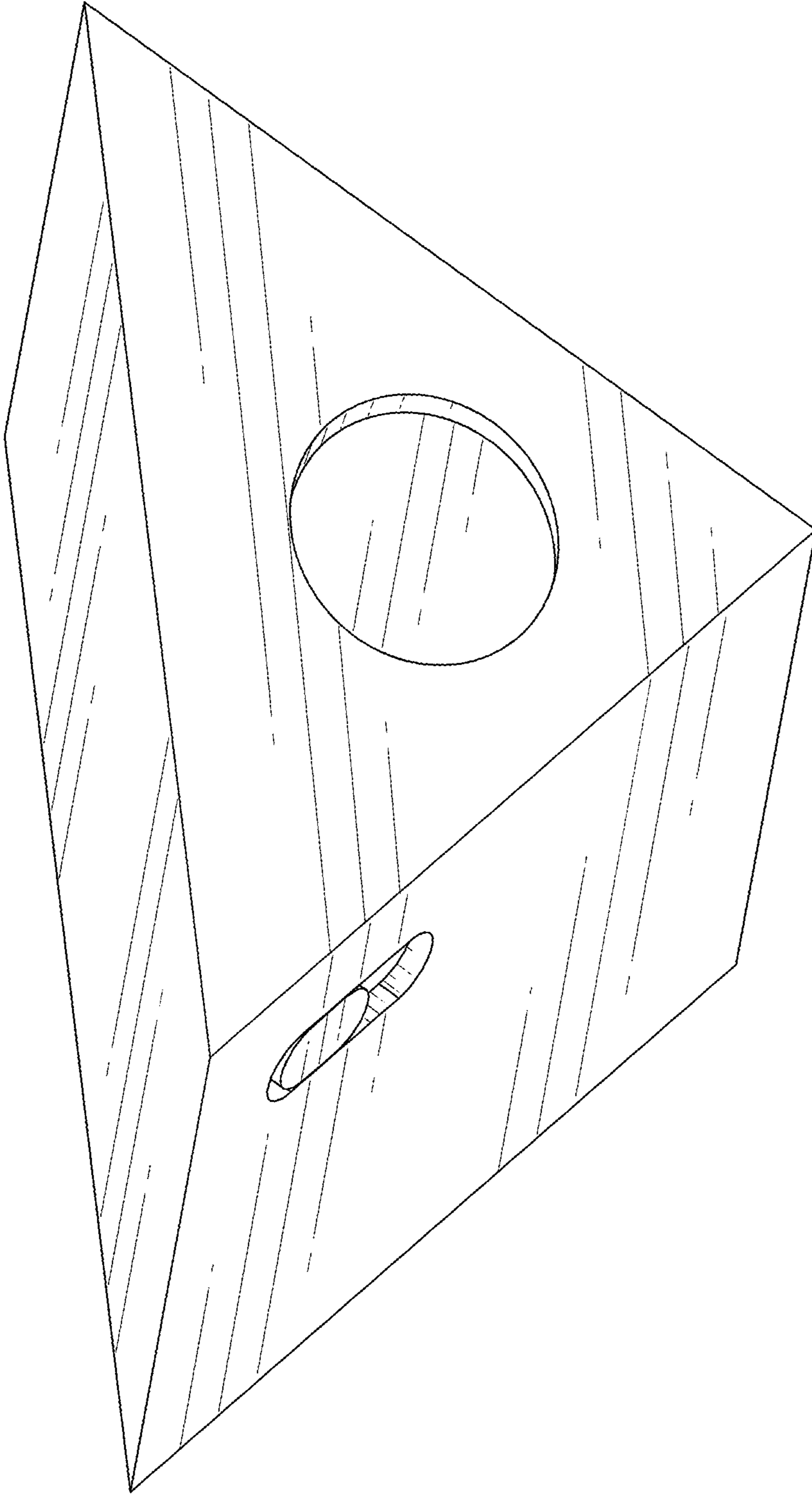


FIG. 2

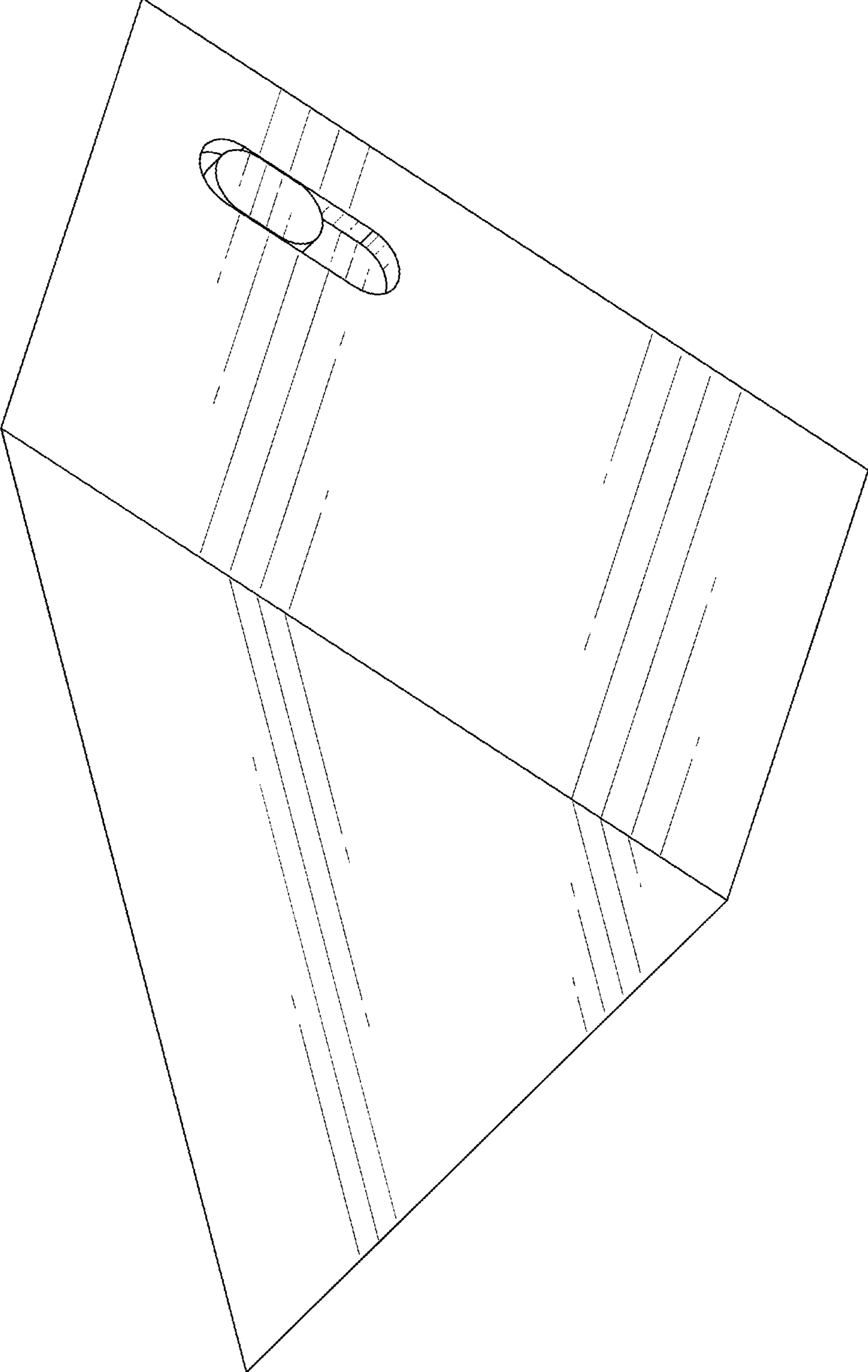


FIG. 3

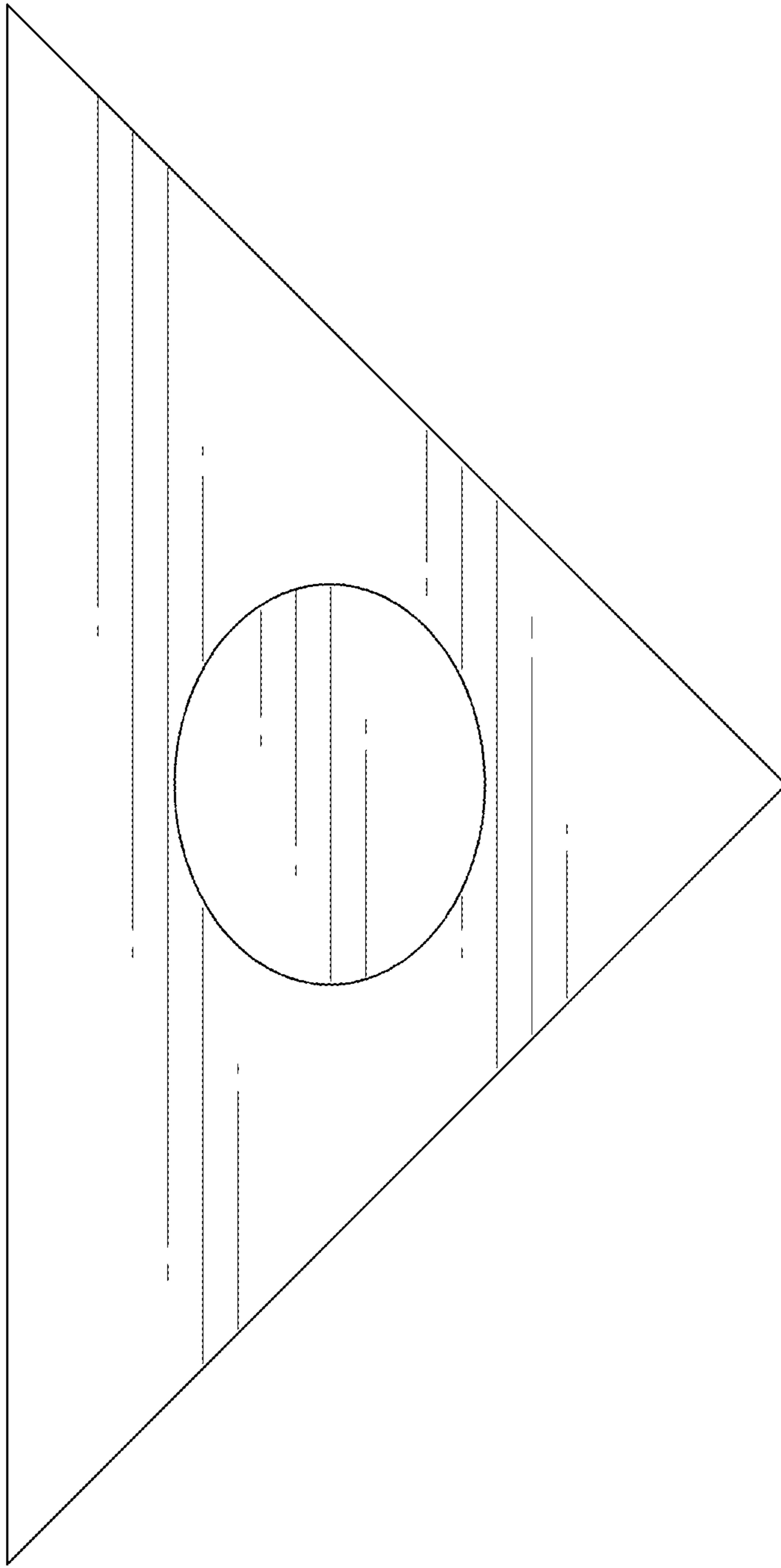


FIG. 4

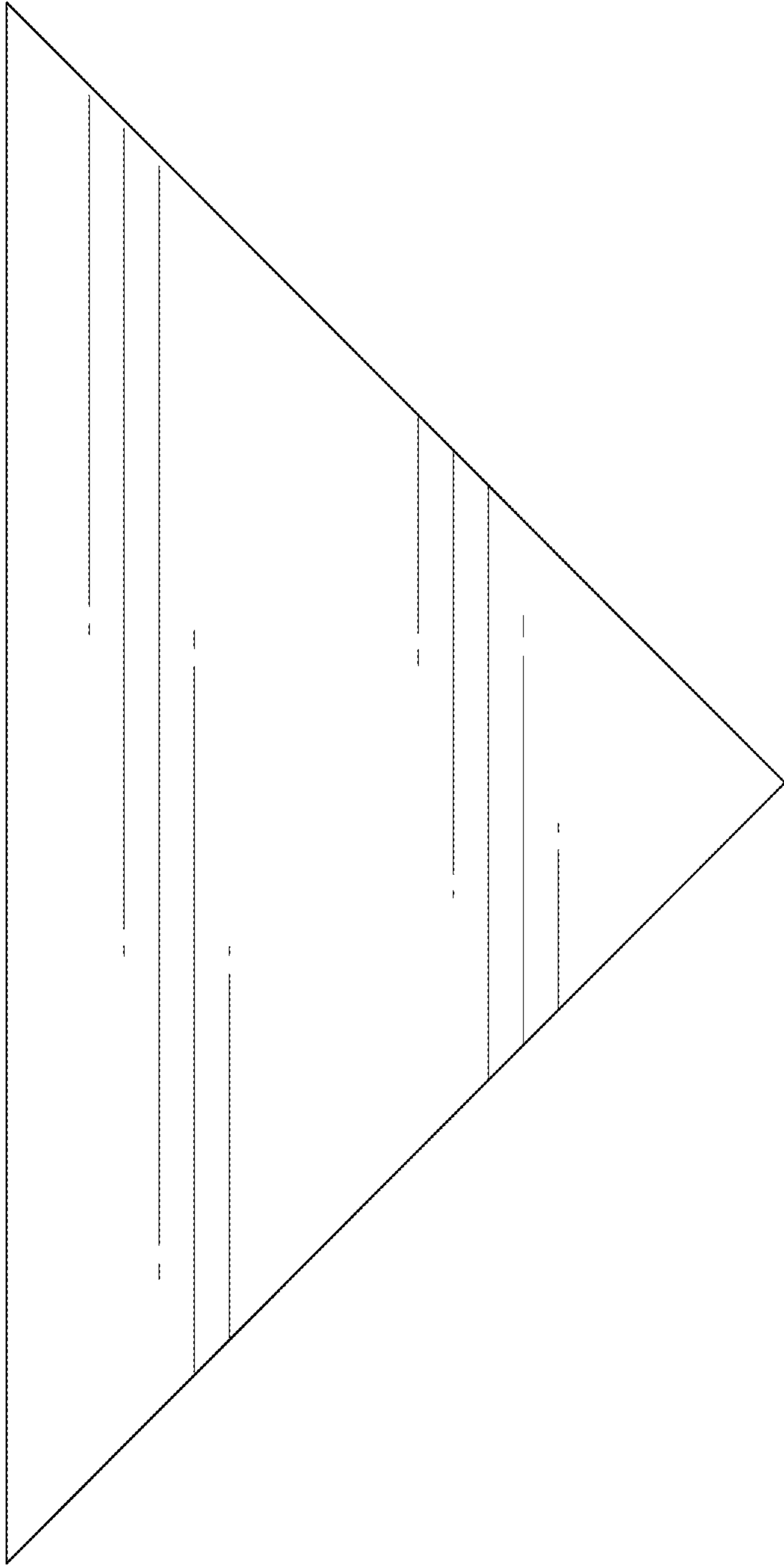


FIG. 5

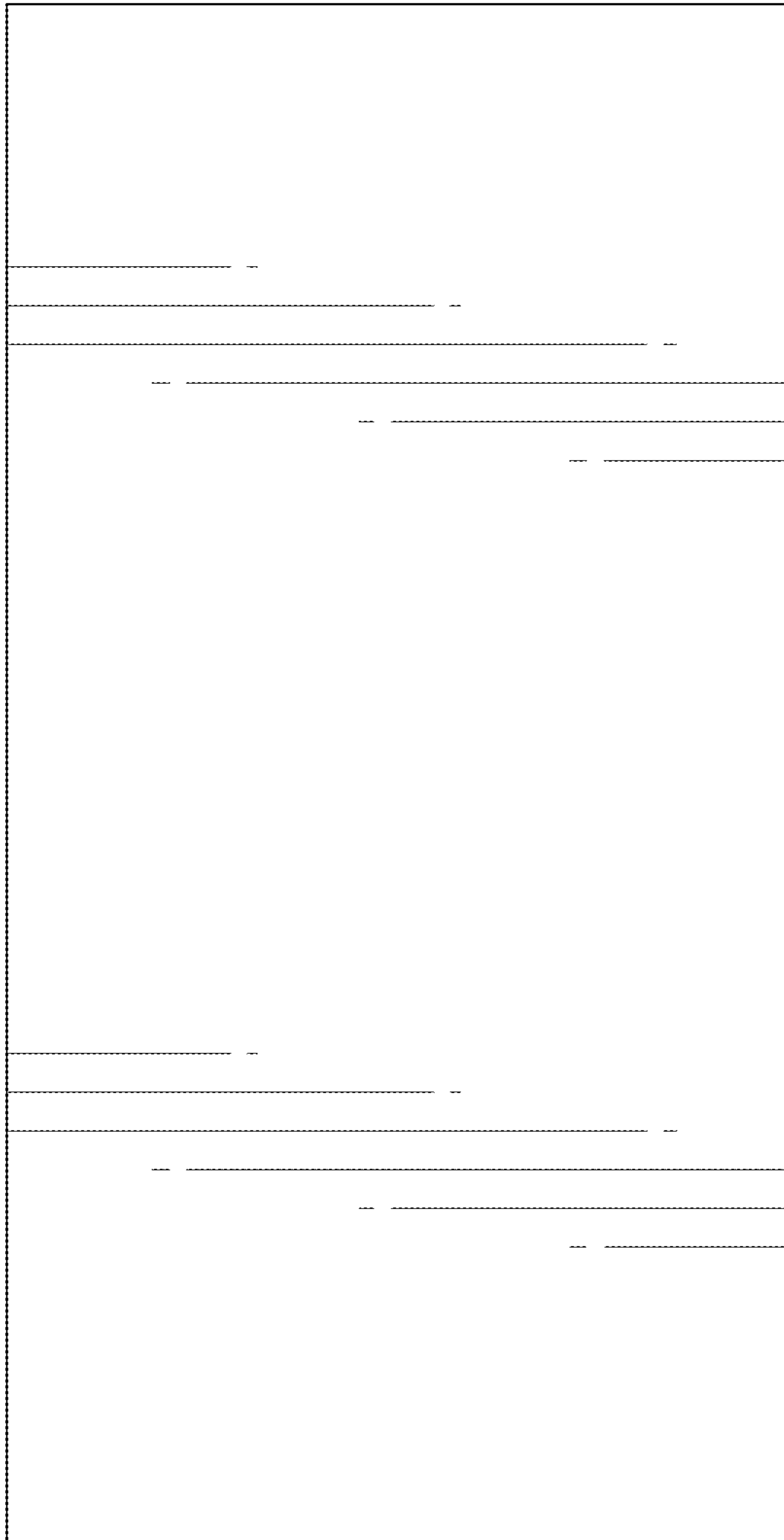


FIG. 6

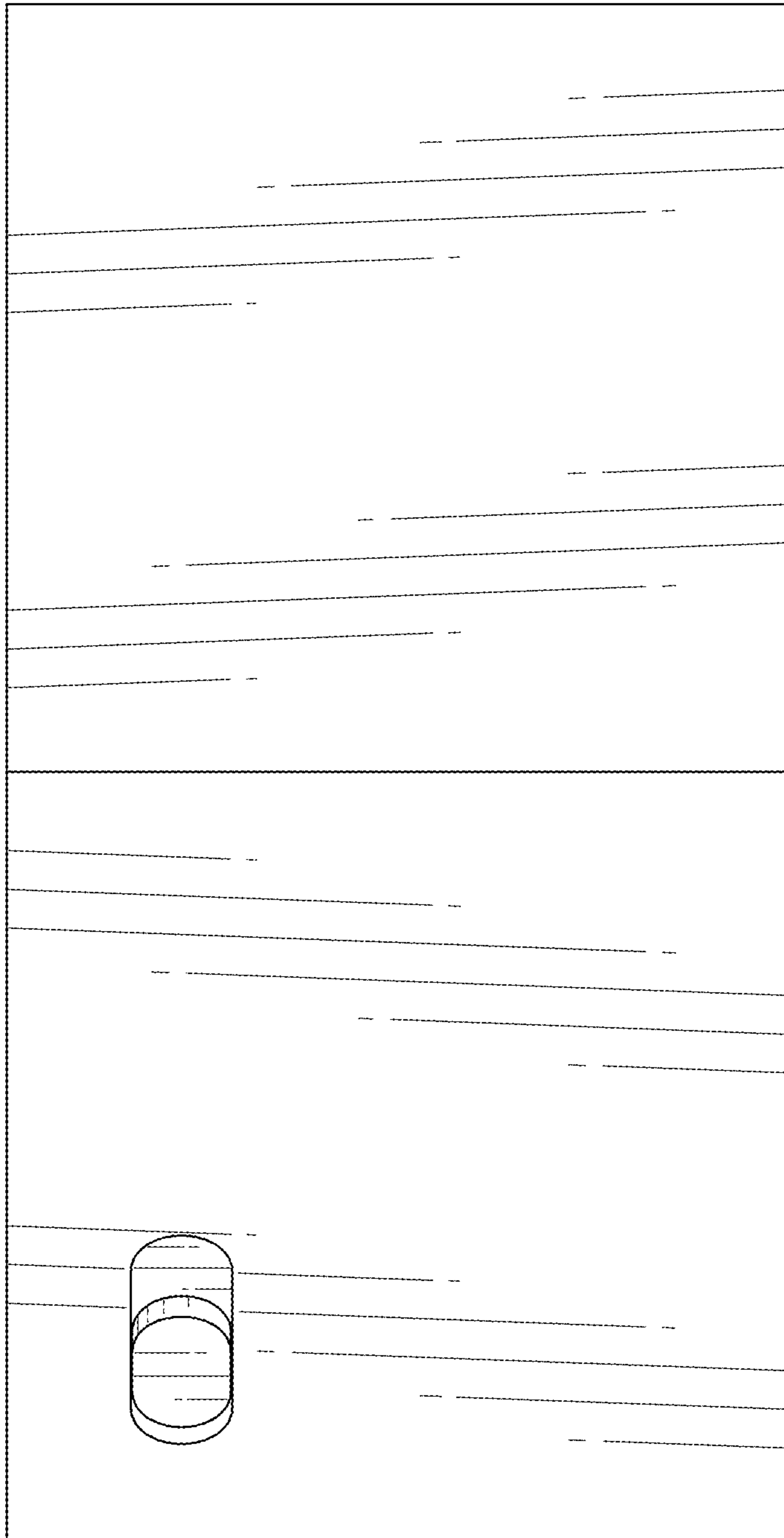


FIG. 7



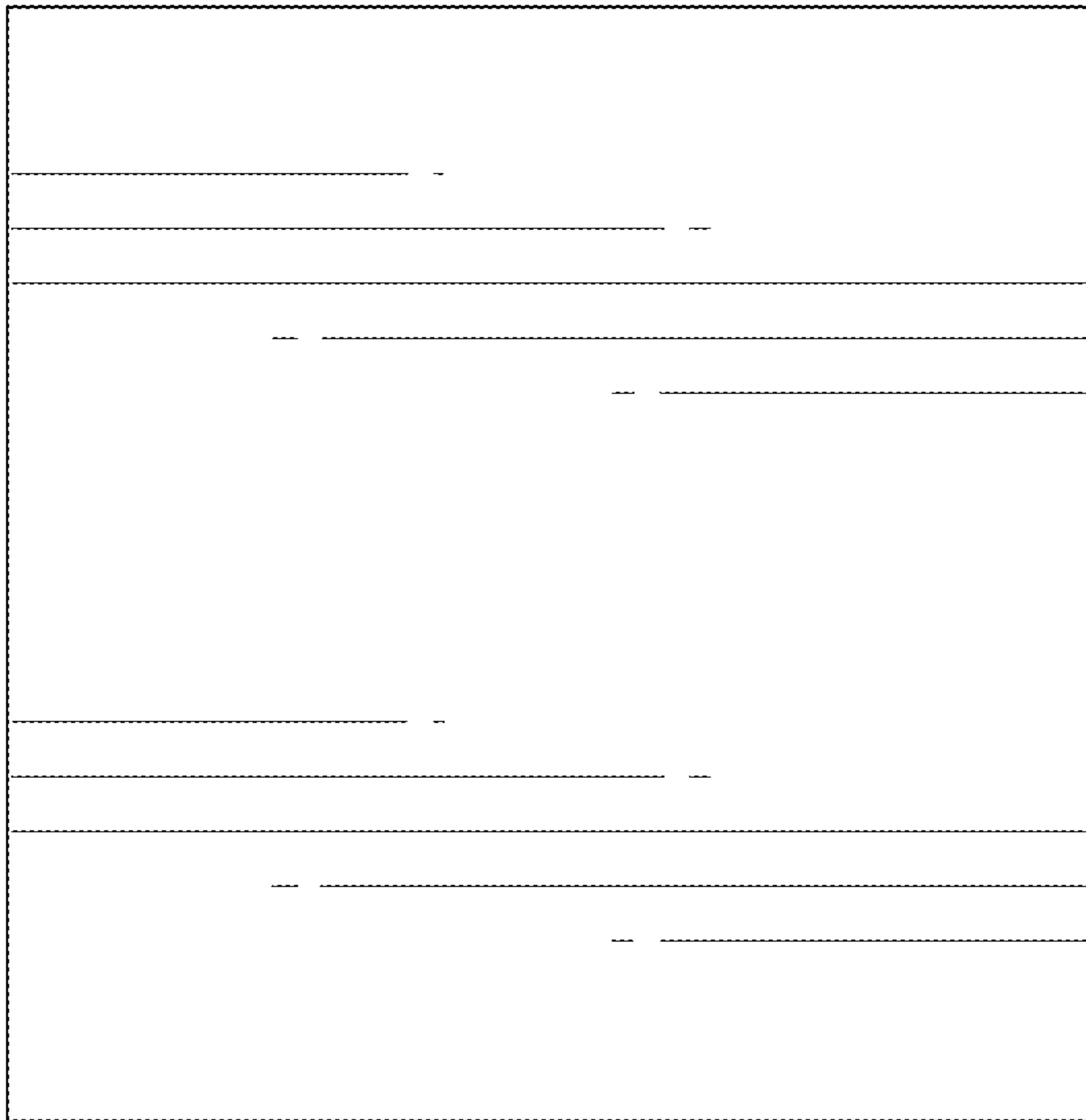


FIG. 8

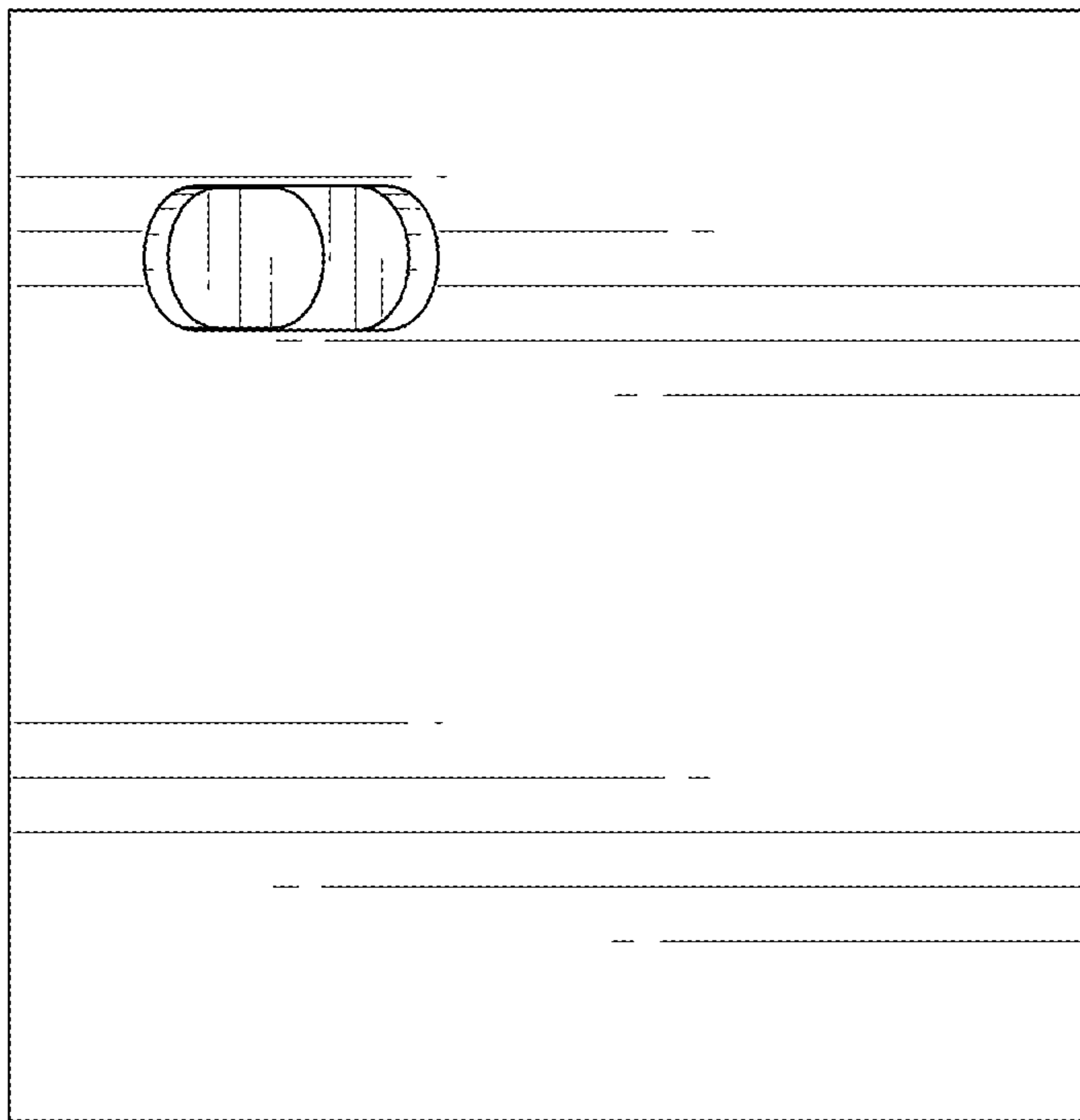


FIG. 9