



US00D922472S

(12) **United States Design Patent**
Liang

(10) **Patent No.:** **US D922,472 S**
(45) **Date of Patent:** **** Jun. 15, 2021**

(54) **GOGGLES**

(71) Applicant: **Guangzhou Julong Sports Co., Ltd.**,
Guangzhou (CN)

(72) Inventor: **Chuancai Liang**, Guangzhou (CN)

(**) Term: **15 Years**

(21) Appl. No.: **29/717,976**

(22) Filed: **Dec. 20, 2019**

(51) **LOC (13) Cl.** **16-06**

(52) **U.S. Cl.**
USPC **D16/313**

(58) **Field of Classification Search**
USPC D16/300, 309, 311, 312, 313, 314, 315,
D16/321, 325
CPC . G02C 5/126; G02C 7/10; G02C 1/02; G02C
7/088

See application file for complete search history.

(56) **References Cited**

U.S. PATENT DOCUMENTS

D847,248 S *	4/2019	Liang	D16/313
D864,285 S *	10/2019	Liang	D16/313
D880,574 S *	4/2020	Liang	D16/312
D892,913 S *	8/2020	Lindauer	D16/313
D909,457 S *	2/2021	Liang	D16/312

OTHER PUBLICATIONS

COPO Ski Goggles, posted at amazon.com, posting date Nov. 6, 2020, [online], [site visited Apr. 21, 2021]. Available from Internet,

URL: <https://www.amazon.com/Goggles-Protection-Snowboard-Motorcycle-Anti-Fog/dp/B08MW5K1GX?th=1> (Year: 2020).*
Spy Optic UNDERPIN Snow Goggle, posted at amazon.com, posting date Nov. 11, 2018, [online], [site visited Apr. 21, 2021]. Available from Internet, URL: <https://www.amazon.com/Spy-Ski-Goggles/dp/B07KDPY1R8> (Year: 2018).*
Uvex Skyper P Ski Goggles, posted at amazon.com, posting date Nov. 20, 2019, [online], [site visited Apr. 21, 2021]. Available from Internet, URL: <https://www.amazon.com/Uvex-Skyper-P-ski-Goggle/dp/B07T4K7ZS3> (Year: 2019).*

* cited by examiner

Primary Examiner — George D. Kirschbaum

Assistant Examiner — Maria J. Edwards

(74) *Attorney, Agent, or Firm* — Runit Ranjit Kanakia

(57) **CLAIM**

I claim the ornamental design for goggles, as shown and described.

DESCRIPTION

FIG. 1 is a perspective view of goggles showing my new design;

FIG. 2 is a front view thereof;

FIG. 3 is a back view thereof;

FIG. 4 is a Right-side view thereof;

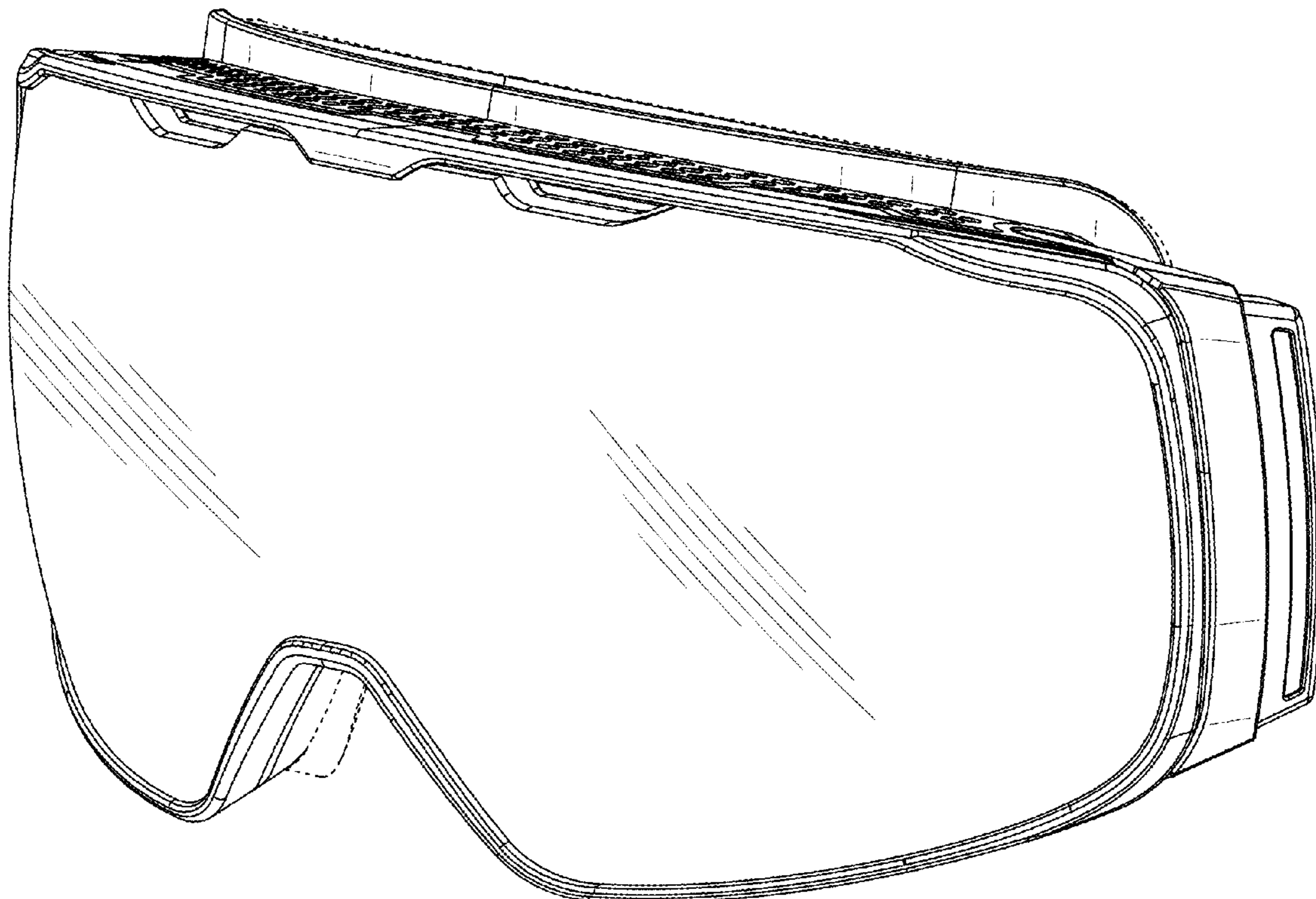
FIG. 5 is a Left-side view thereof;

FIG. 6 is a Top view thereof; and,

FIG. 7 is a Bottom view thereof.

The broken lines illustrate environment and form no part of the claimed design.

1 Claim, 7 Drawing Sheets



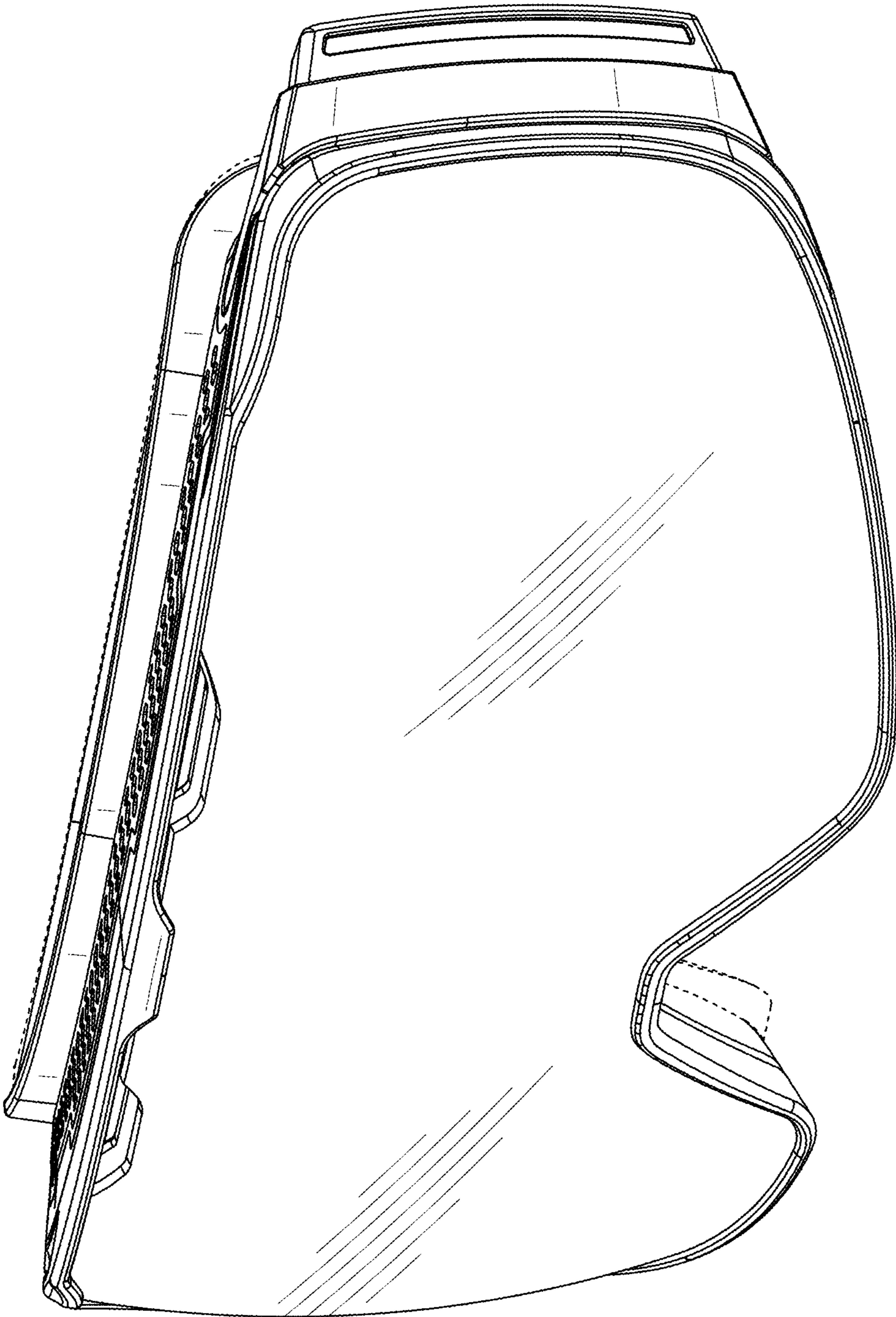


FIG. 1

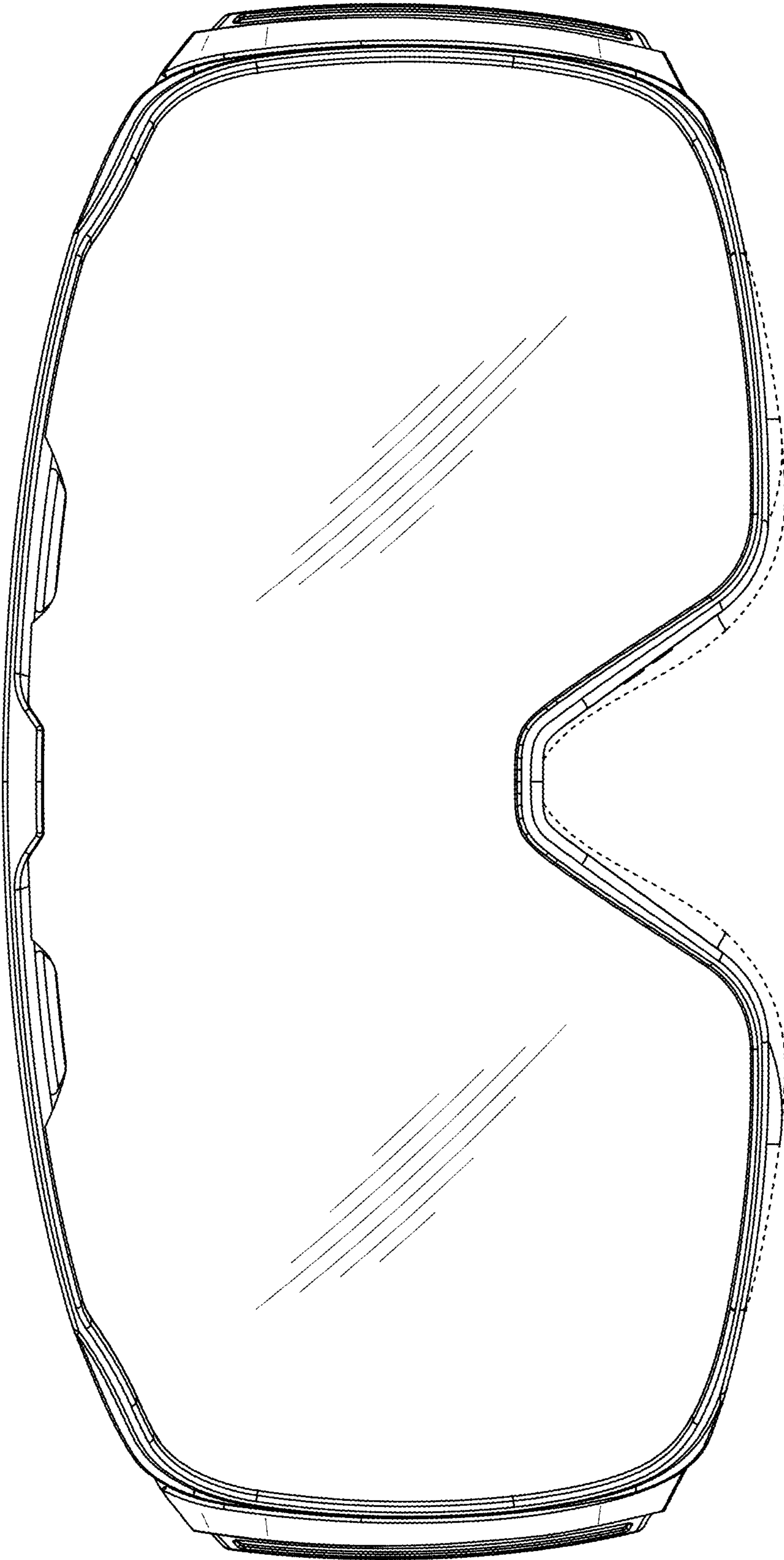


FIG. 2

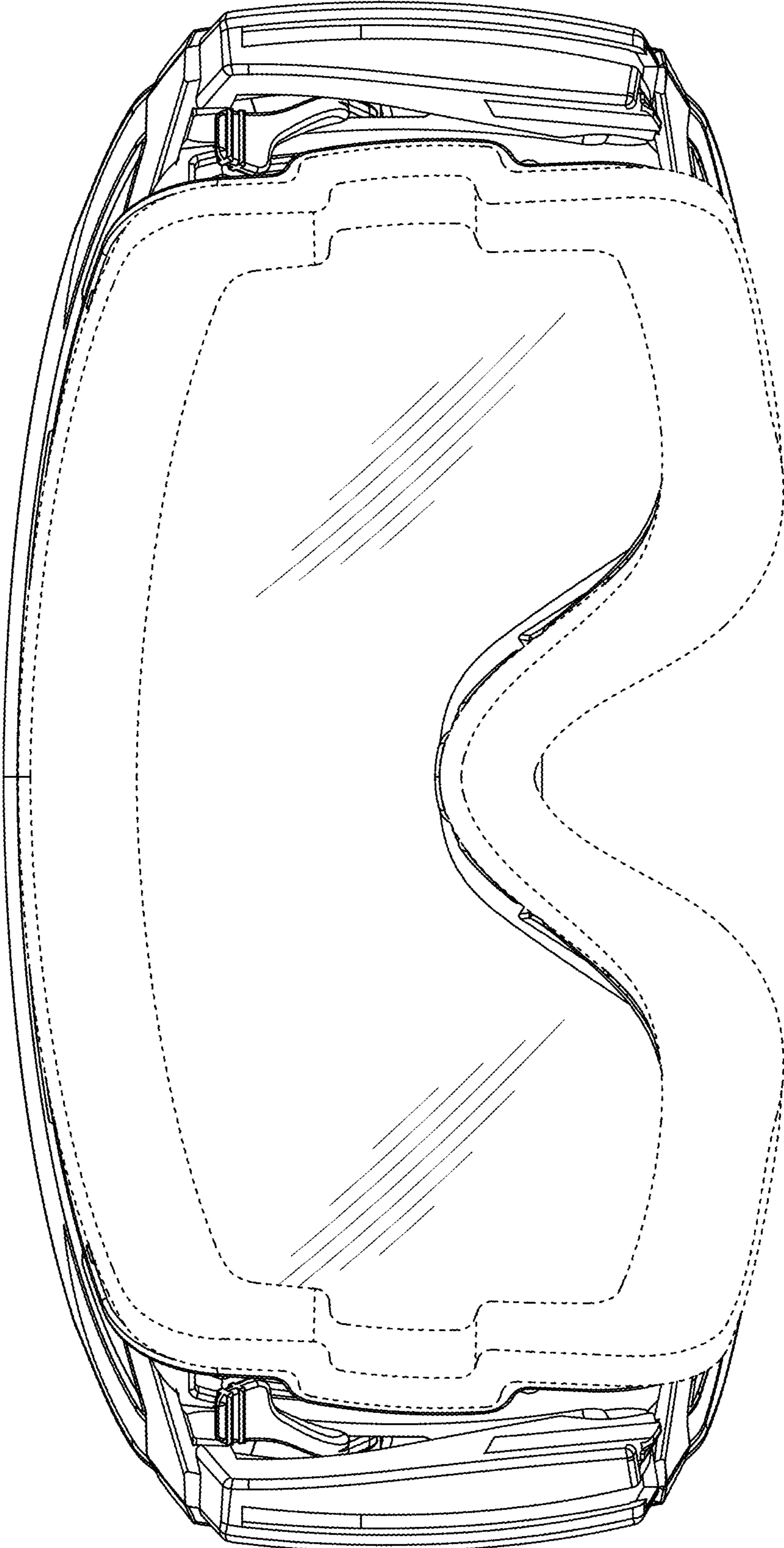


FIG. 3

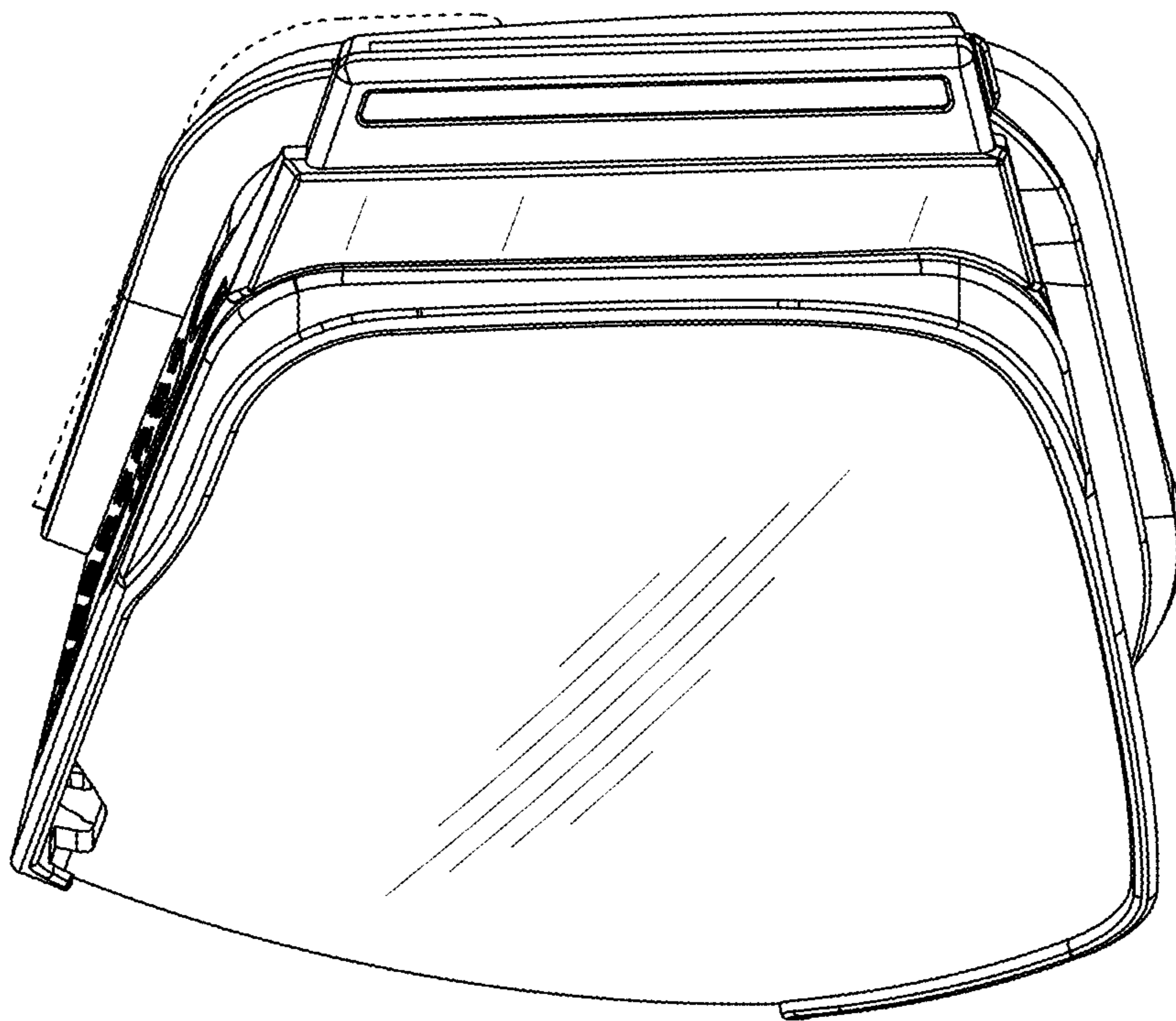


FIG. 4

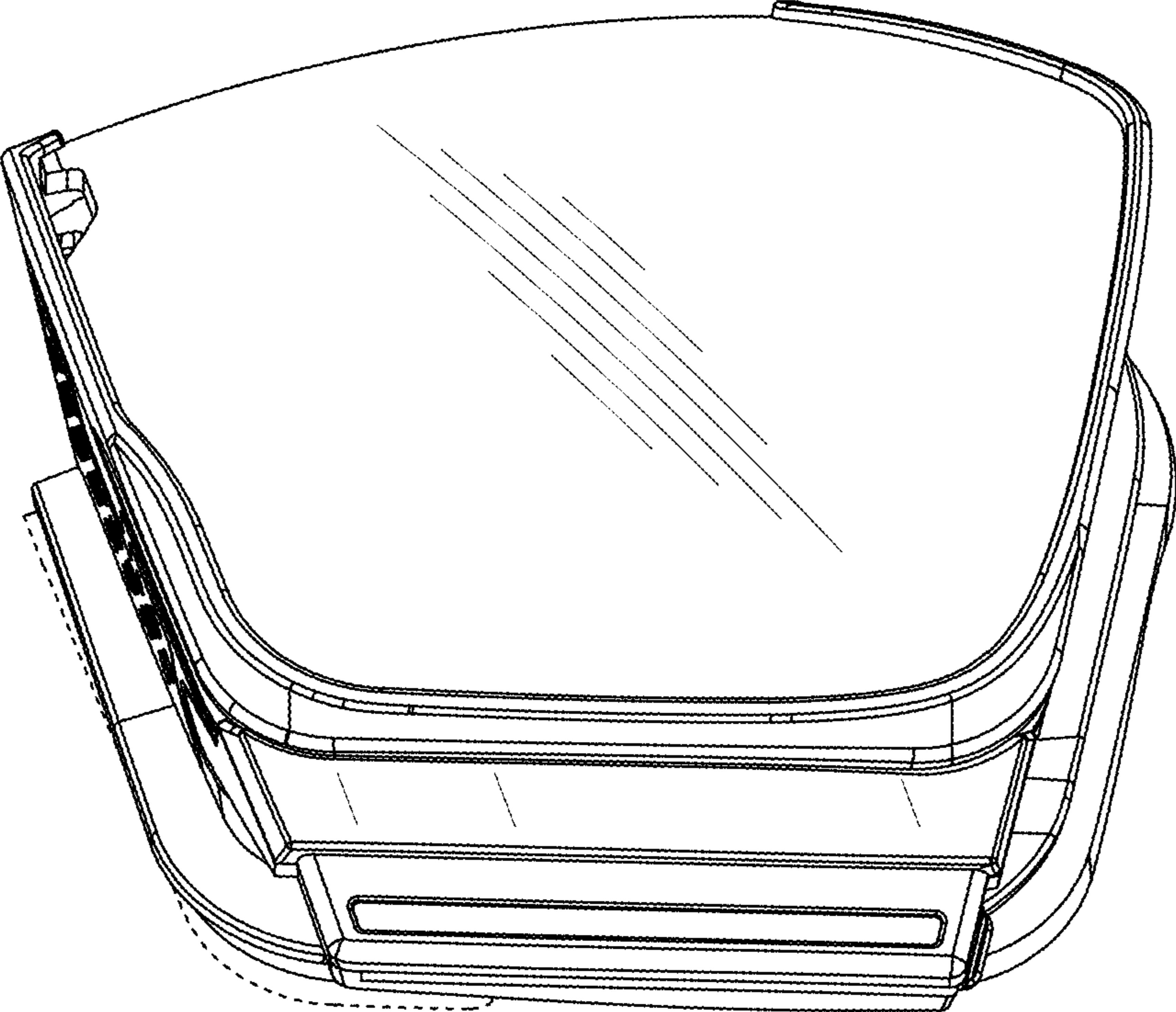


FIG. 5

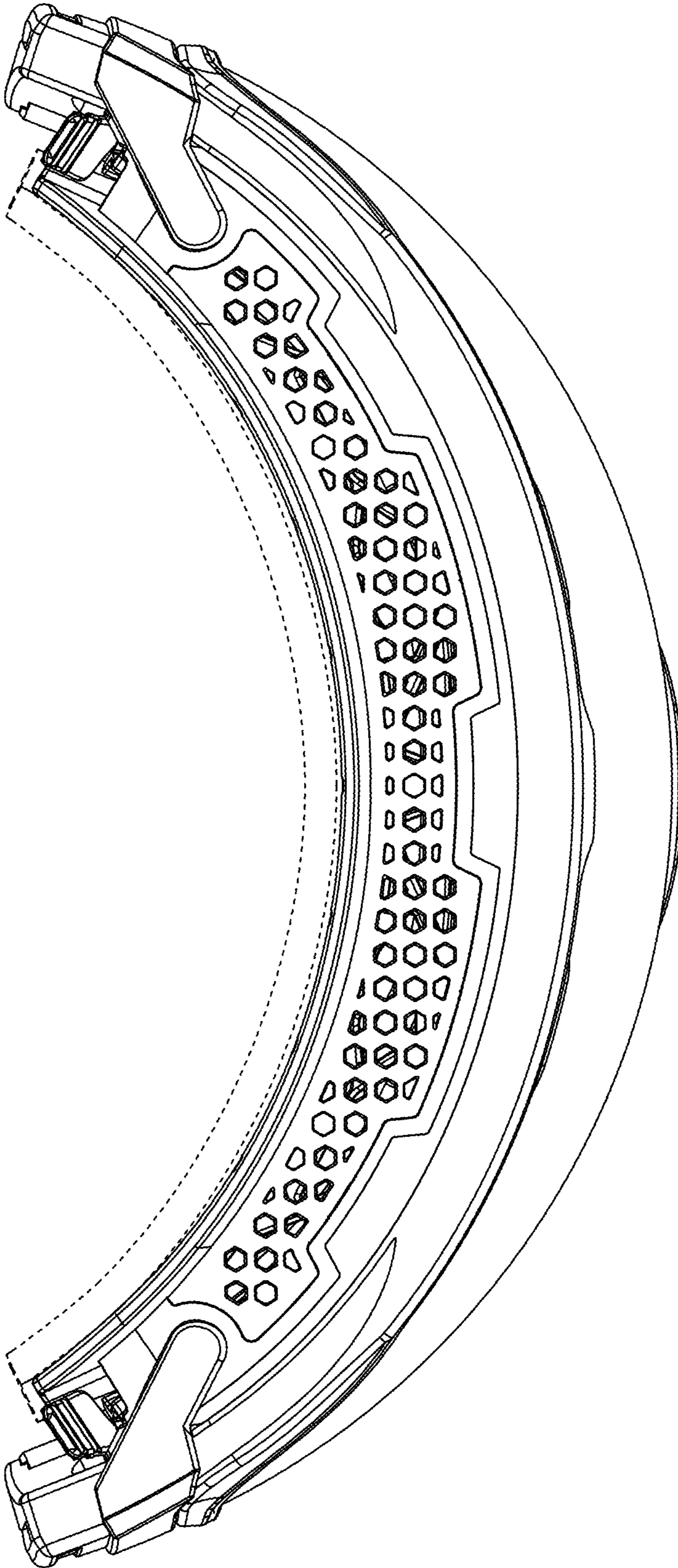


FIG. 6

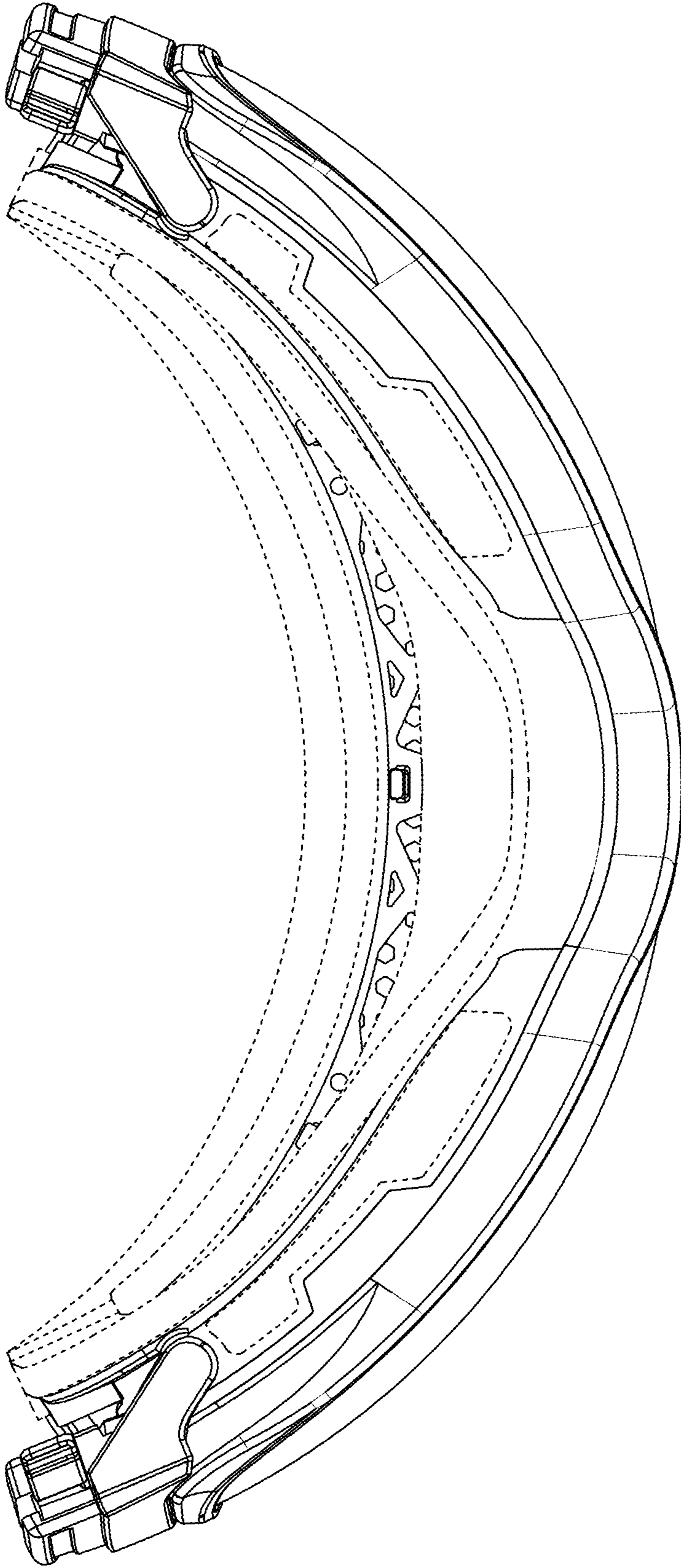


FIG. 7