



US00D922471S

(12) **United States Design Patent**
Li et al.

(10) **Patent No.:** **US D922,471 S**
(45) **Date of Patent:** **** Jun. 15, 2021**

(54) **TRIPOD**

(71) Applicant: **GUANGDONG SIRUI OPTICAL CO., LTD.**, Zhongshan (CN)

(72) Inventors: **Jie Li**, Zhongshan (CN); **Hang Chen**, Zhongshan (CN); **Wentian Zeng**, Zhongshan (CN)

(73) Assignee: **GUANGDONG SIRUI OPTICAL CO., LTD.**, Guangdong Province (CN)

(**) Term: **15 Years**

(21) Appl. No.: **29/712,291**

(22) Filed: **Nov. 7, 2019**

(30) **Foreign Application Priority Data**

Sep. 12, 2019 (CN) 201930503738.3

(51) **LOC (13) Cl.** **16-05**

(52) **U.S. Cl.**
USPC **D16/244**

(58) **Field of Classification Search**
USPC D16/219, 237-250; D8/354, 355, 363, D8/373, 382-383, 394-396; D14/224, D14/229, 238, 251, 253, 447, 451, 457
CPC F16M 11/06-10; F16M 11/14; G02B 7/00-002; G03B 17/561-566; H04N 5/2253-2254

See application file for complete search history.

(56) **References Cited**

U.S. PATENT DOCUMENTS

D706,333 S * 6/2014 Chun D16/244
D739,456 S * 9/2015 Poli D16/244
D794,699 S * 8/2017 Bin-Nun D16/244
D840,465 S * 2/2019 Chun D16/244

D852,875 S * 7/2019 Chun D16/244
D865,039 S * 10/2019 Chen D16/242
D866,648 S * 11/2019 Marcon D16/244
D872,166 S * 1/2020 Chun D16/244
D900,918 S * 11/2020 Zeng D16/244
2017/0192344 A1* 7/2017 Chi F16M 11/16

OTHER PUBLICATIONS

Andoer Mini Tabletop Tripod Phone Camera Tripod Removable Ball Head F/ DSLR R9V8. [online] Retrieved Feb. 3, 2021 from URL: https://www.ebay.com/itm/Andoer-Mini-Tabletop-Tripod-Phone-Camera-Tripod-Removable-Ball-Head-F-DSLR-R9V8/133453252424?hash=item1f126f0748:g:swUAAOSwPDpe-tto.*
Mini Phone Tripod, Small Tabletop Tripod for GoPro iPhone / Cell Phones Webcam Projector Compact DSLR with Remote Control and Universal Mount Holder, 360° Rotating Metal Ball Head. [online] Retrieved Feb. 3, 21 from URL: https://www.amazon.com/Tabletop-Samsung-Control-Universal-Rotating/dp/B089CRXCFH.*

* cited by examiner

Primary Examiner — Vy N Koenig

(74) *Attorney, Agent, or Firm* — Loeb & Loeb LLP

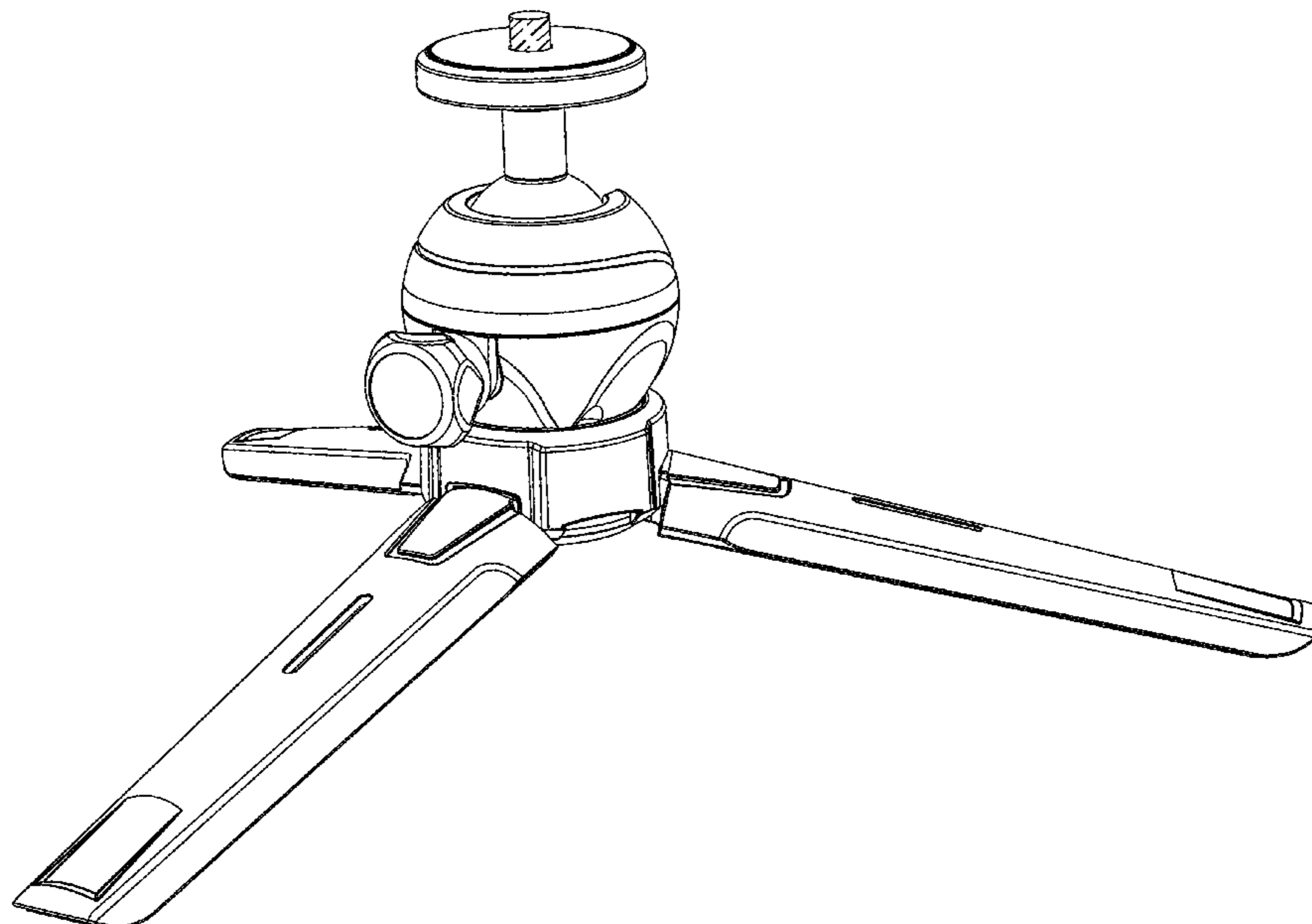
(57) **CLAIM**

The ornamental design for a tripod, as shown and described.

DESCRIPTION

FIG. 1 is a front view of a tripod showing our new design in an open position;
FIG. 2 is a rear side view thereof;
FIG. 3 is a right side view thereof;
FIG. 4 is a left view thereof;
FIG. 5 is a top view thereof;
FIG. 6 is a bottom view thereof; and,
FIG. 7 is a perspective view thereof.
The broken lines in the drawings depict portions of the tripod that form no part of the claimed design.

1 Claim, 7 Drawing Sheets



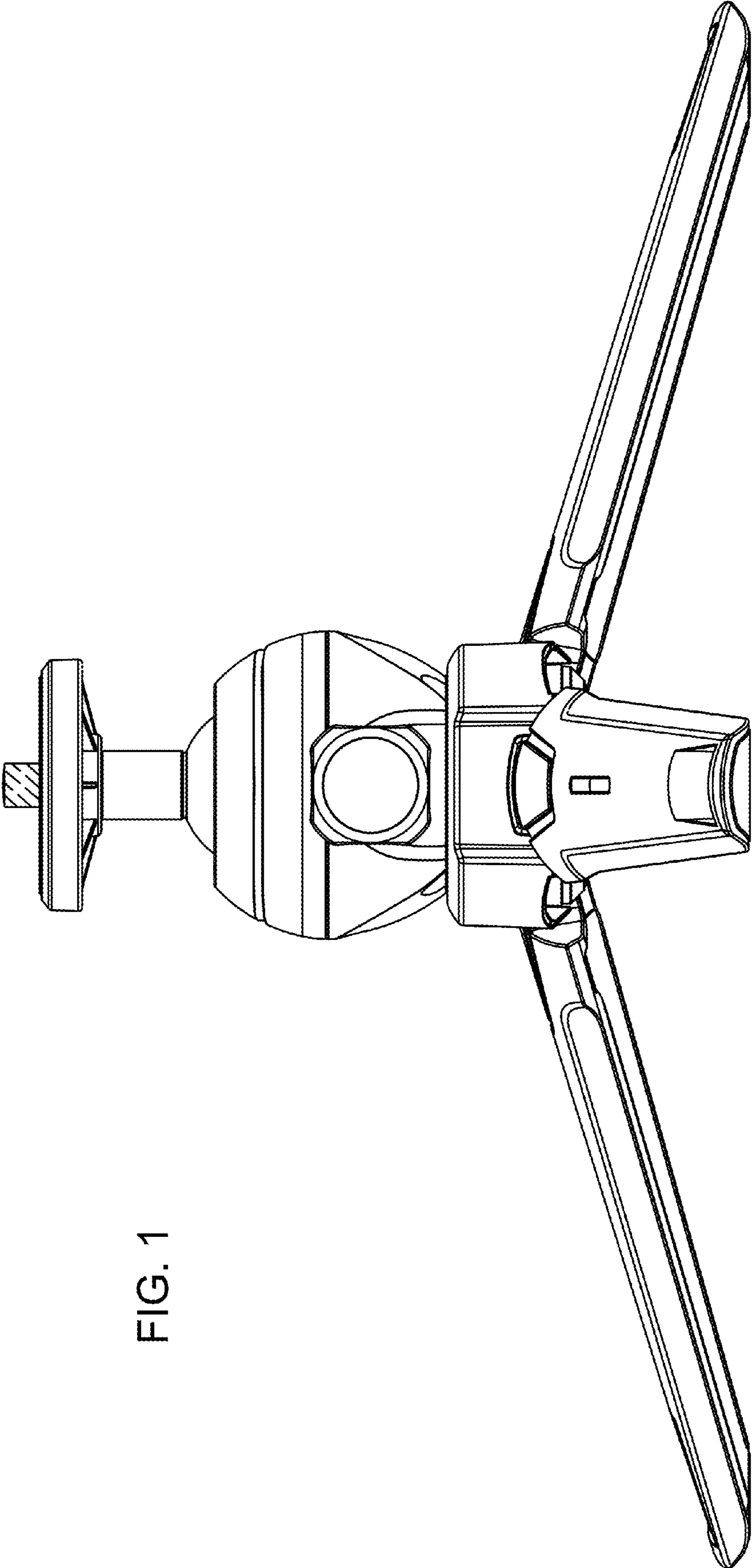


FIG. 1

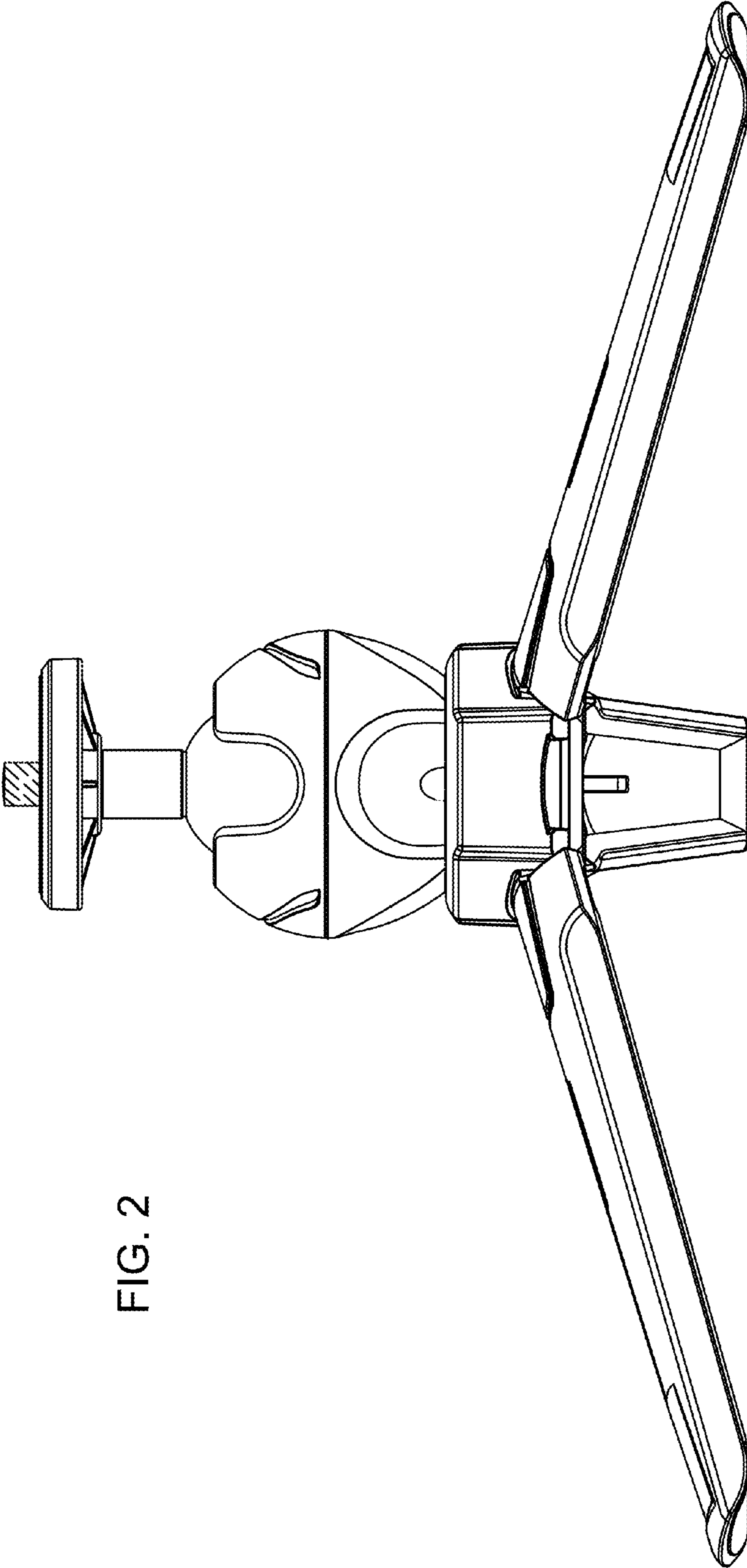


FIG. 2

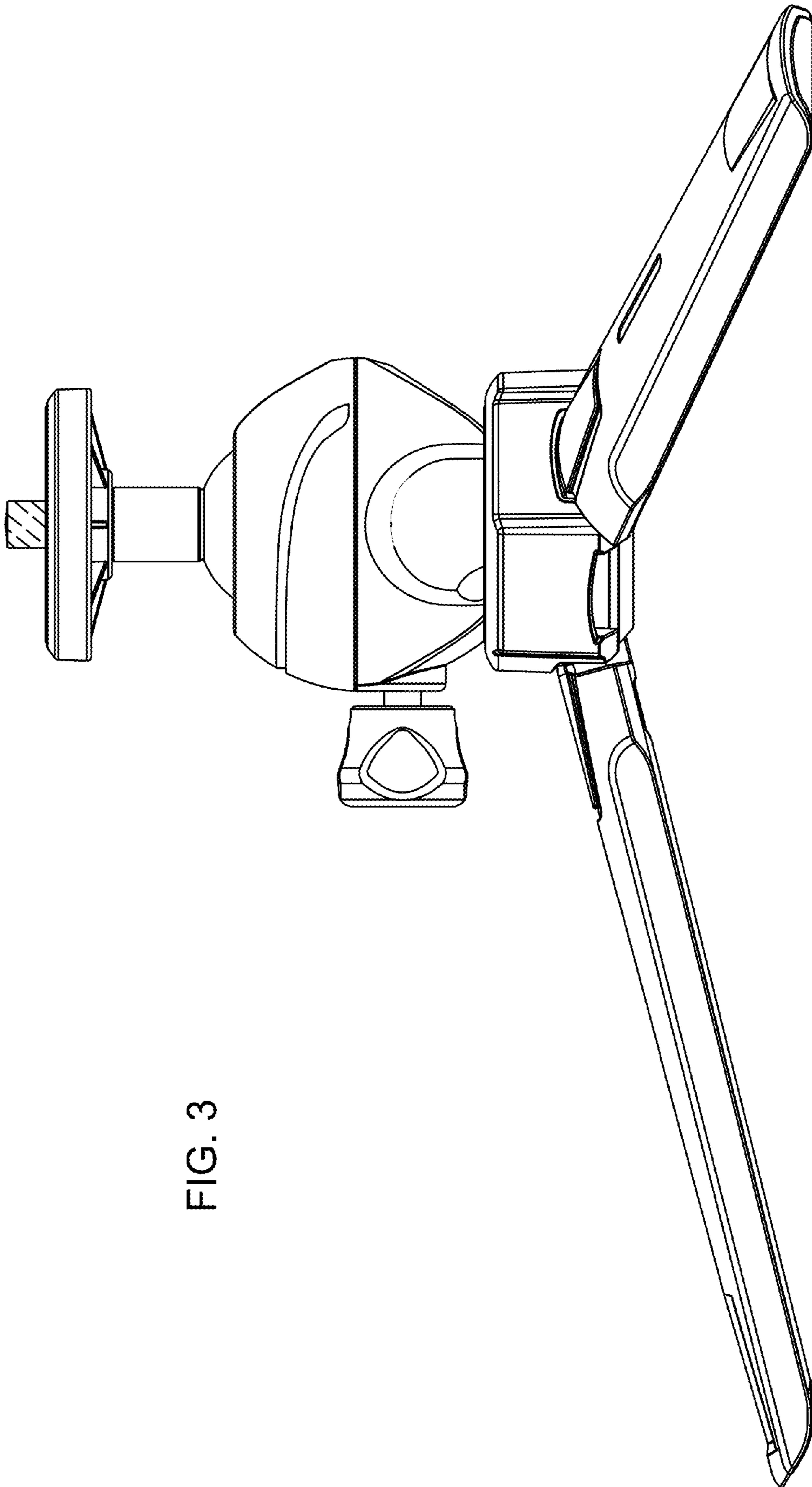


FIG. 3

FIG. 4

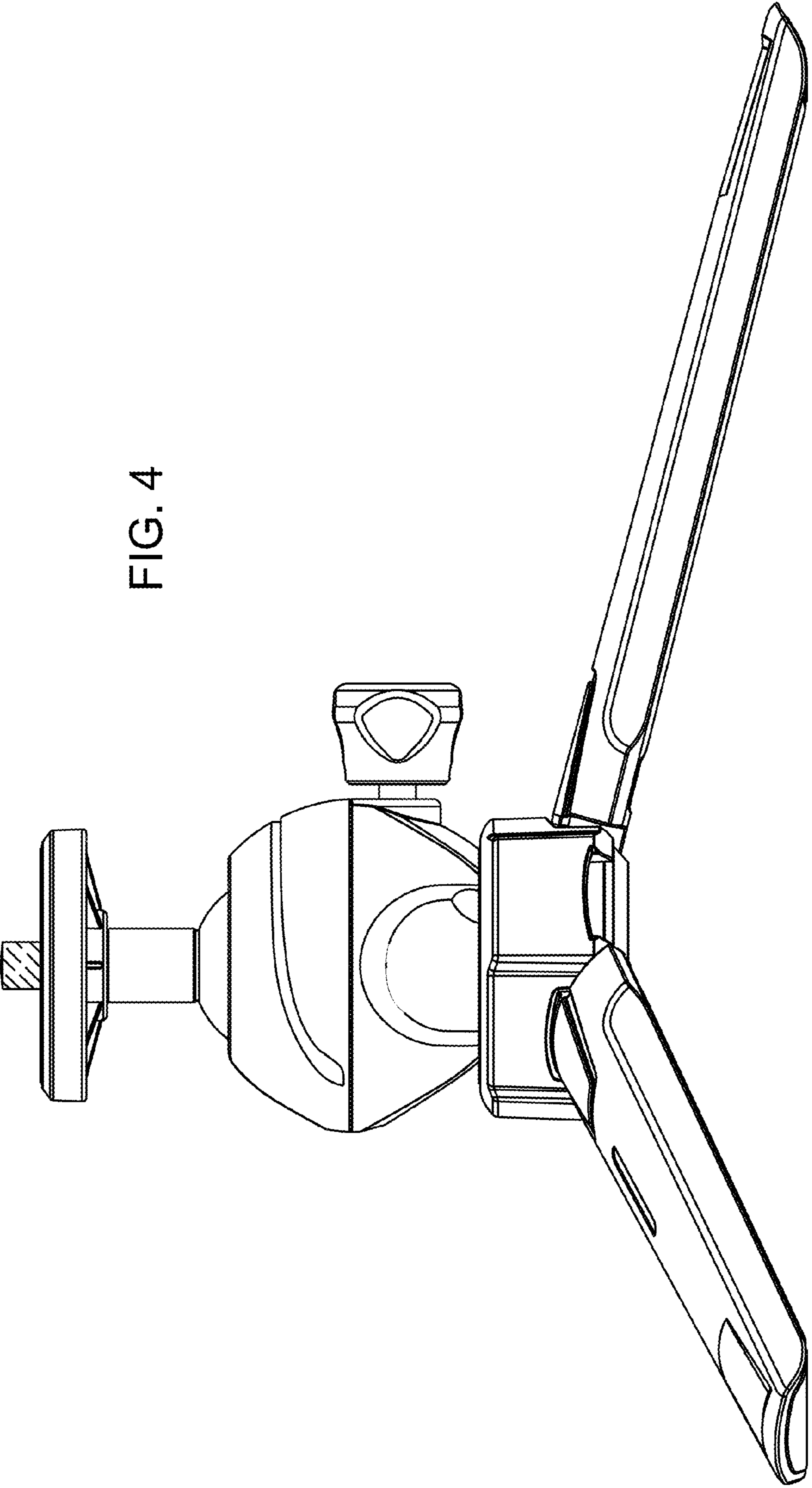
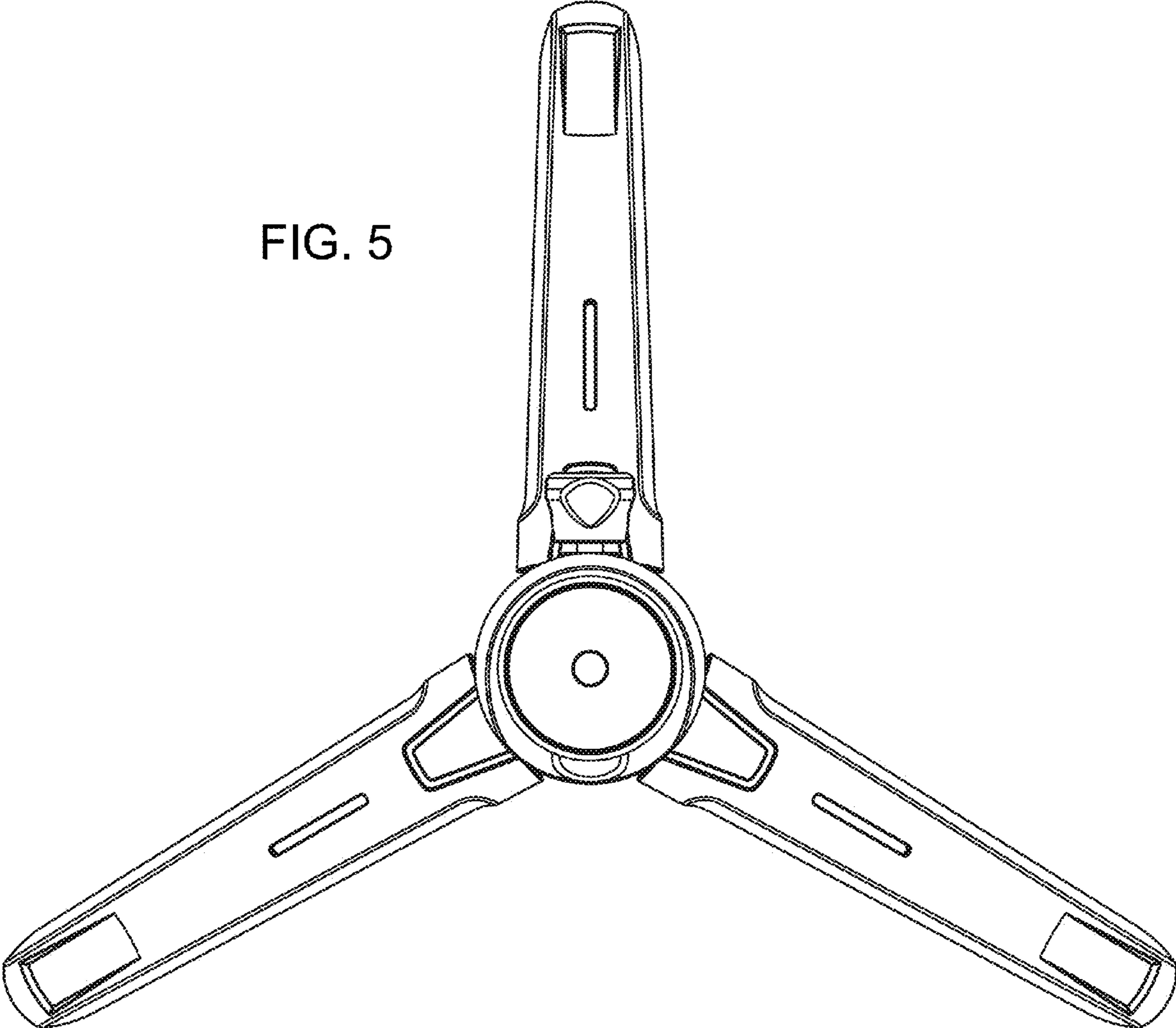


FIG. 5



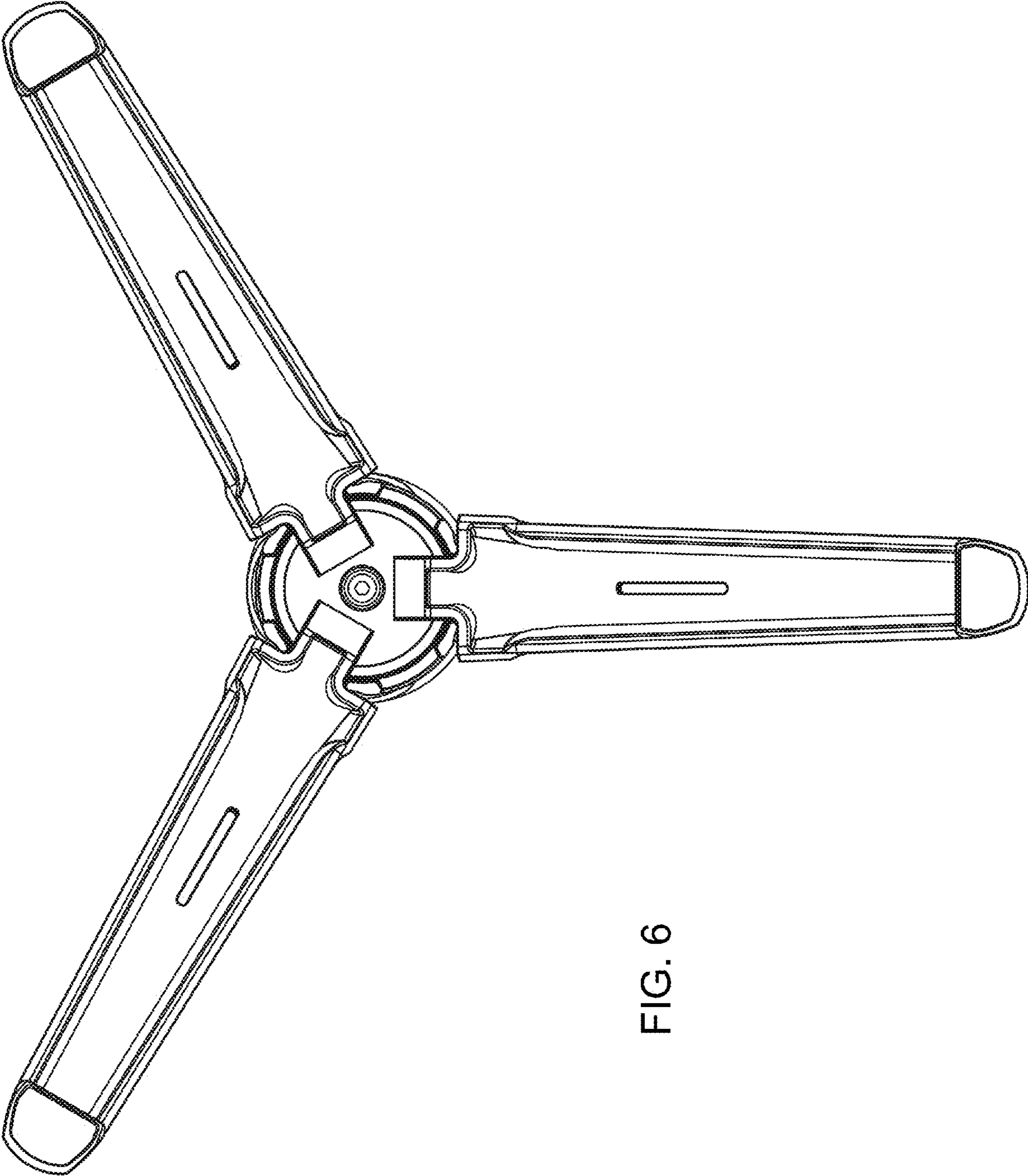


FIG. 6

FIG. 7

