



US00D922469S

(12) **United States Design Patent**  
**Sjogren et al.**

(10) **Patent No.:** **US D922,469 S**

(45) **Date of Patent:** **\*\* Jun. 15, 2021**

(54) **MONITORING CAMERA**

(71) Applicant: **AXIS AB**, Lund (SE)

(72) Inventors: **Jonas Sjogren**, Lund (SE); **Sebastian Engwall**, Lund (SE); **Fredrik Axelsson**, Lund (SE); **Jonatan Ehde**, Dalby (SE)

(73) Assignee: **AXIS AB**, Lund (SE)

(\*\*) Term: **15 Years**

(21) Appl. No.: **29/714,794**

(22) Filed: **Nov. 26, 2019**

(30) **Foreign Application Priority Data**

May 27, 2019 (EM) ..... 006522728-0001

(51) **LOC (13) Cl.** ..... **16-01**

(52) **U.S. Cl.**  
USPC ..... **D16/203**

(58) **Field of Classification Search**  
USPC ..... D16/200, 202-206, 218, 219, 242;  
348/143, 148, 151, 373-376; 396/419,  
396/427, 535, 539-541  
CPC ..... G03B 17/02; G03B 19/04; G03B 17/56;  
G03B 17/04; G03B 15/03; H04N 5/2251;  
H04N 5/2252; H04N 5/2253; H04N  
5/2254; H04N 7/181; H04N 7/183; H04N  
7/18; G08B 13/1963; G08B 13/19619;  
G08B 13/19632; F16M 11/04; F16M  
13/00  
See application file for complete search history.

(56) **References Cited**

**U.S. PATENT DOCUMENTS**

D480,741 S \* 10/2003 Berger ..... D16/202  
D636,424 S \* 4/2011 Lin ..... D16/203  
D643,452 S \* 8/2011 Alm ..... D16/200  
D764,559 S \* 8/2016 Luo ..... D16/202  
D815,176 S \* 4/2018 Ahman ..... D16/203

D818,514 S \* 5/2018 Ahman ..... D16/203  
D820,897 S \* 6/2018 Rusz ..... D16/203  
D822,748 S \* 7/2018 Van Deusen ..... D16/218  
D831,090 S \* 10/2018 Ahman ..... D16/203  
D861,764 S \* 10/2019 Zhao ..... D16/218  
D873,890 S \* 1/2020 Fidler ..... D16/218  
D884,771 S \* 5/2020 Wang ..... D16/218  
D908,161 S \* 1/2021 Dacosta ..... D16/218

**FOREIGN PATENT DOCUMENTS**

EM 003230259-0001 6/2016  
EM 003230259-0002 6/2016  
EM 003230259-0003 6/2016  
EM 003514991-0015 12/2016  
TW D190813 6/2018  
TW D193053 9/2018  
TW D195181 1/2019  
TW D195632 1/2019  
TW D197675 5/2019  
WO DM/091789 4/2016

\* cited by examiner

*Primary Examiner* — Ramzi Almatrahi

(74) *Attorney, Agent, or Firm* — Volpe Koenig

(57) **CLAIM**

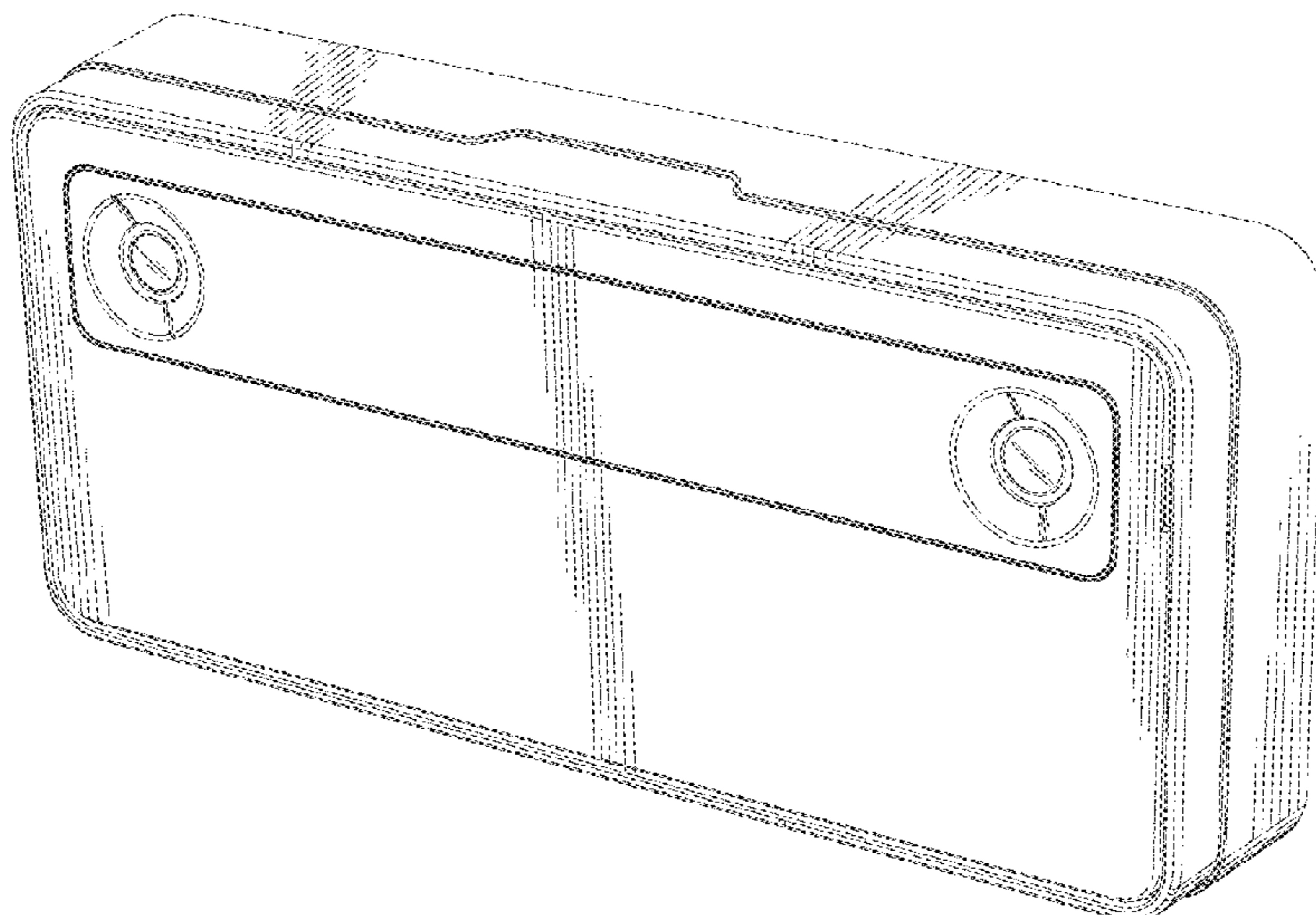
The ornamental design for a monitoring camera, as shown and described.

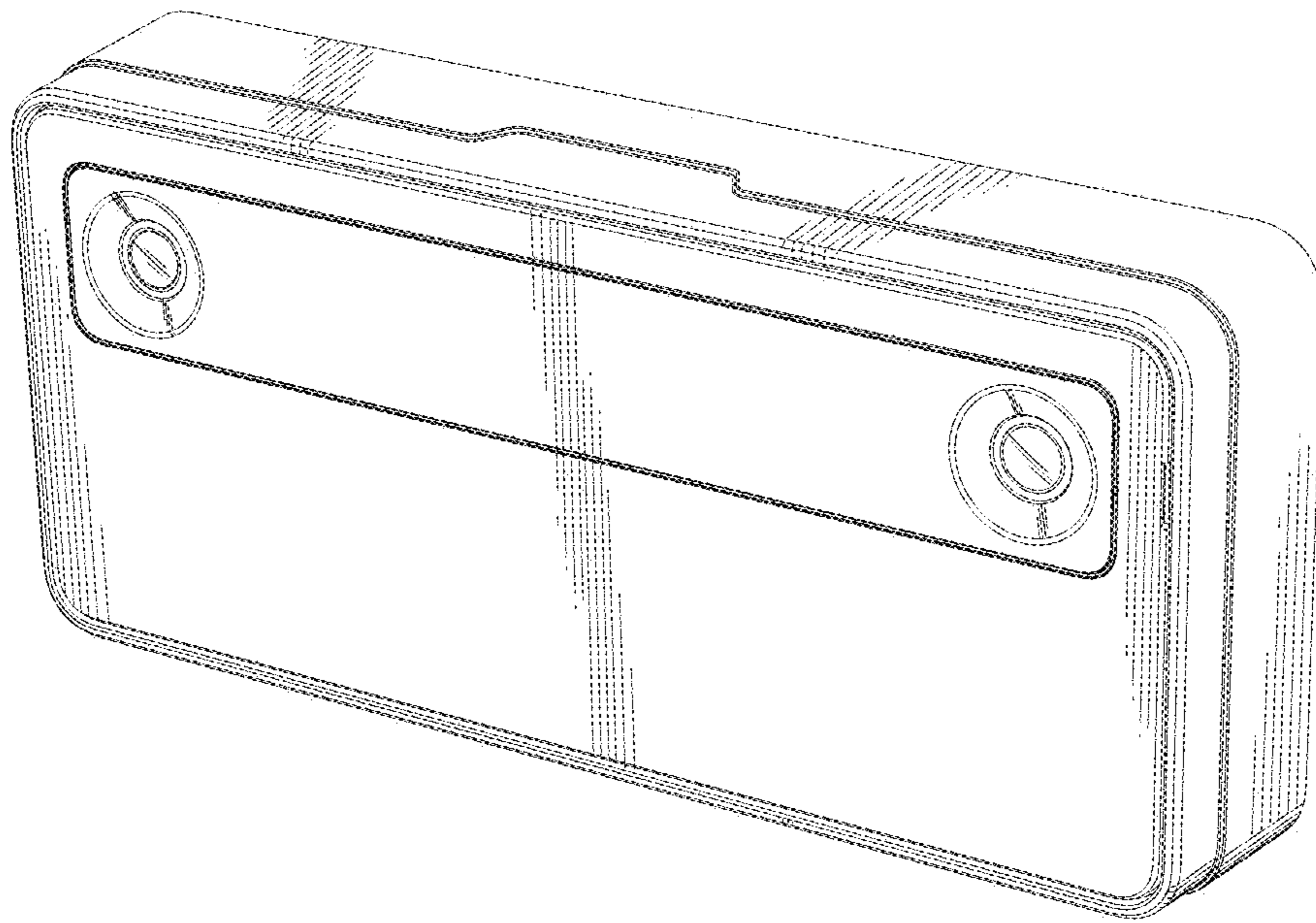
**DESCRIPTION**

FIG. 1 is a perspective view of a monitoring camera in accordance with our design;  
FIG. 2 is a front elevational view thereof;  
FIG. 3 is a top plan view thereof;  
FIG. 4 is a right side elevational view thereof;  
FIG. 5 is a left side elevational view thereof;  
FIG. 6 is a bottom plan view thereof; and,  
FIG. 7 is a rear elevational view thereof.

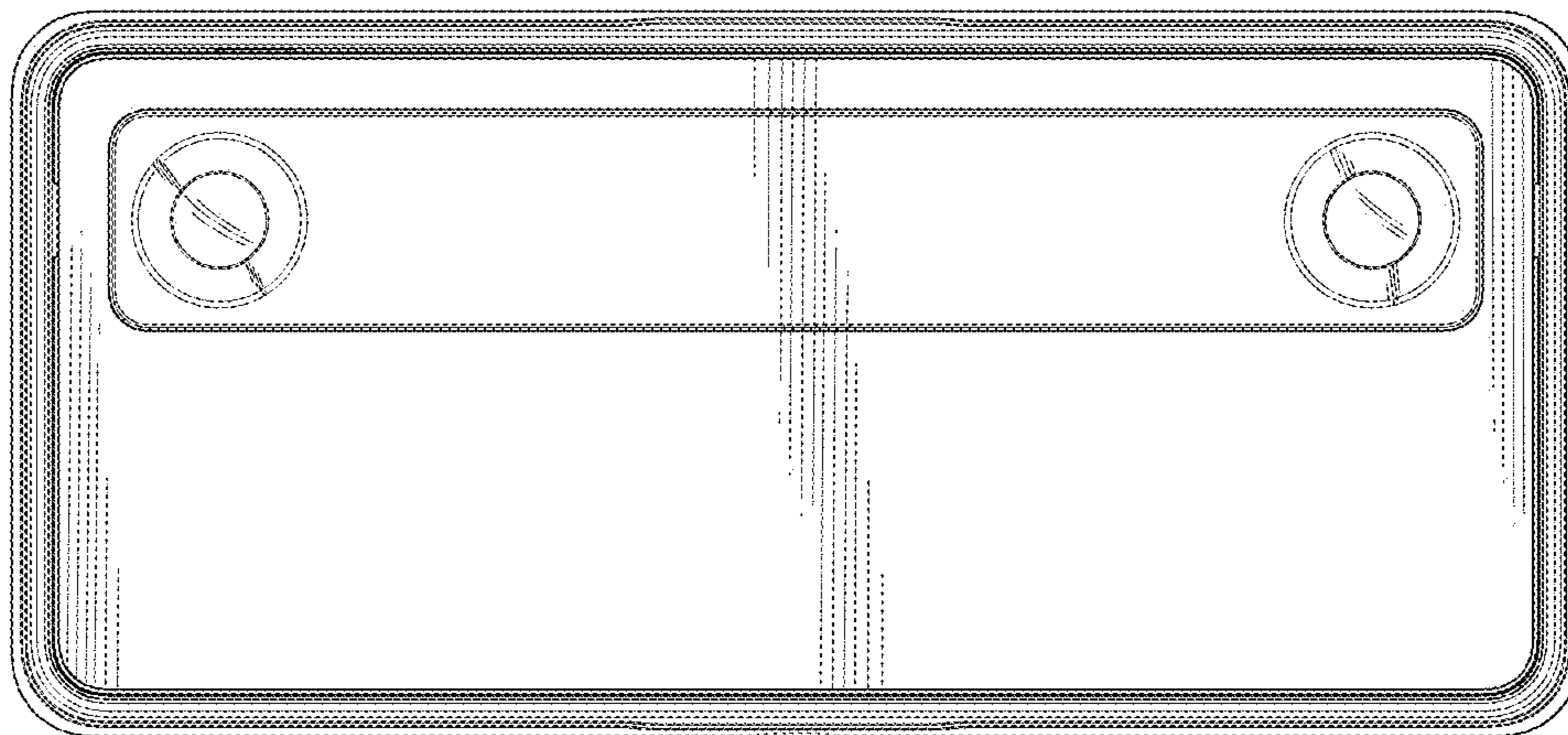
The broken lines represent portions of the monitoring camera in which the design is embodied that form no part of the claimed design.

**1 Claim, 4 Drawing Sheets**

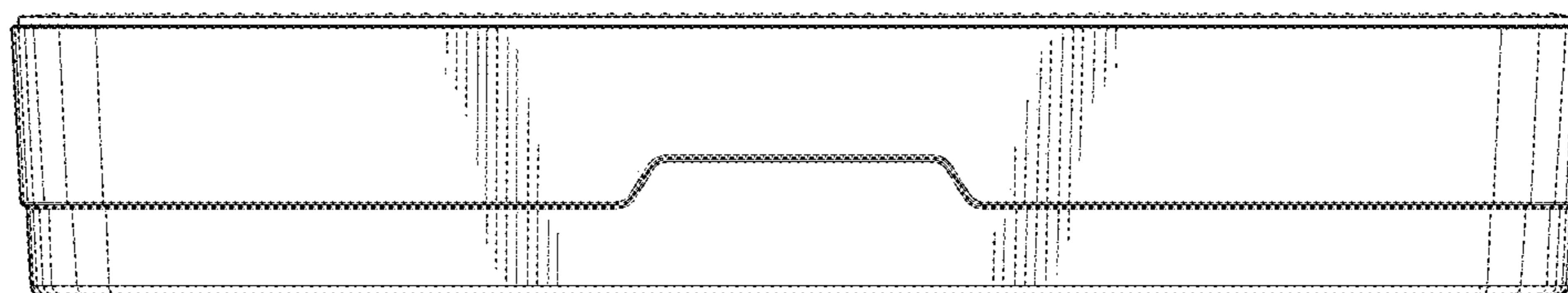




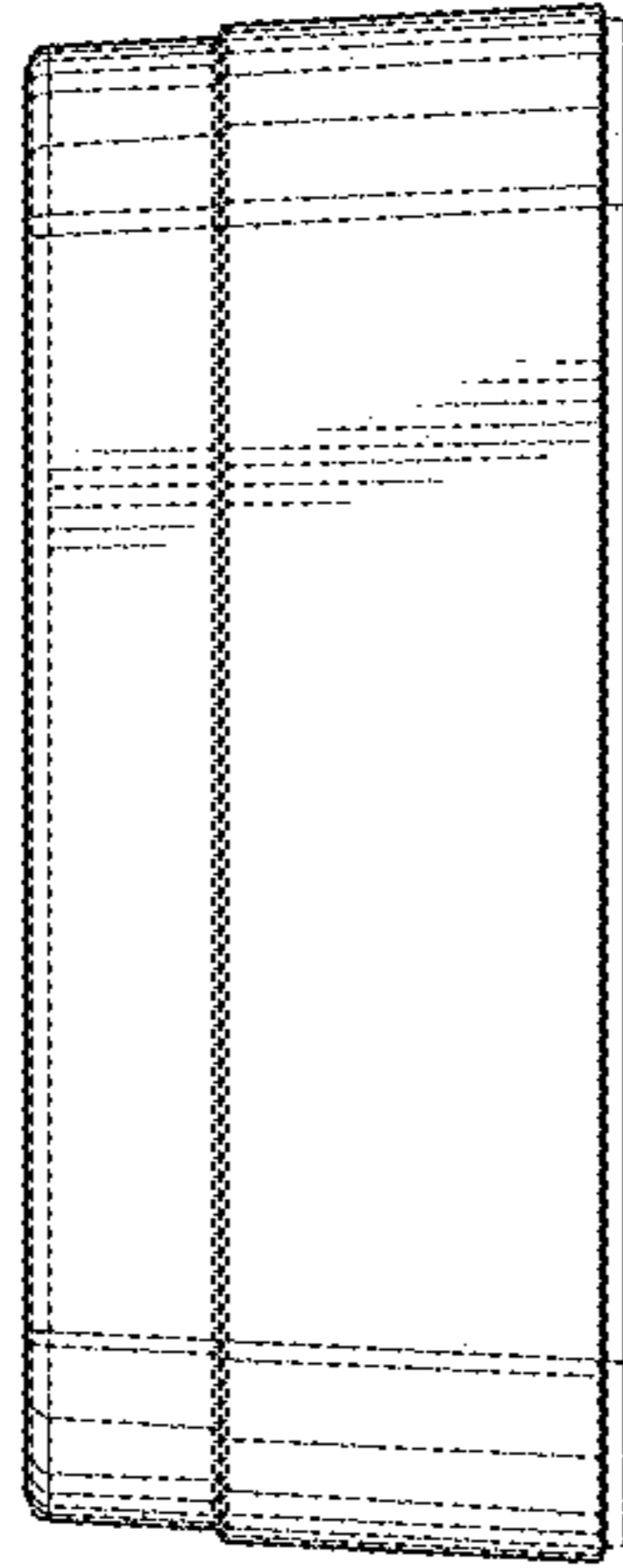
*Fig. 1*



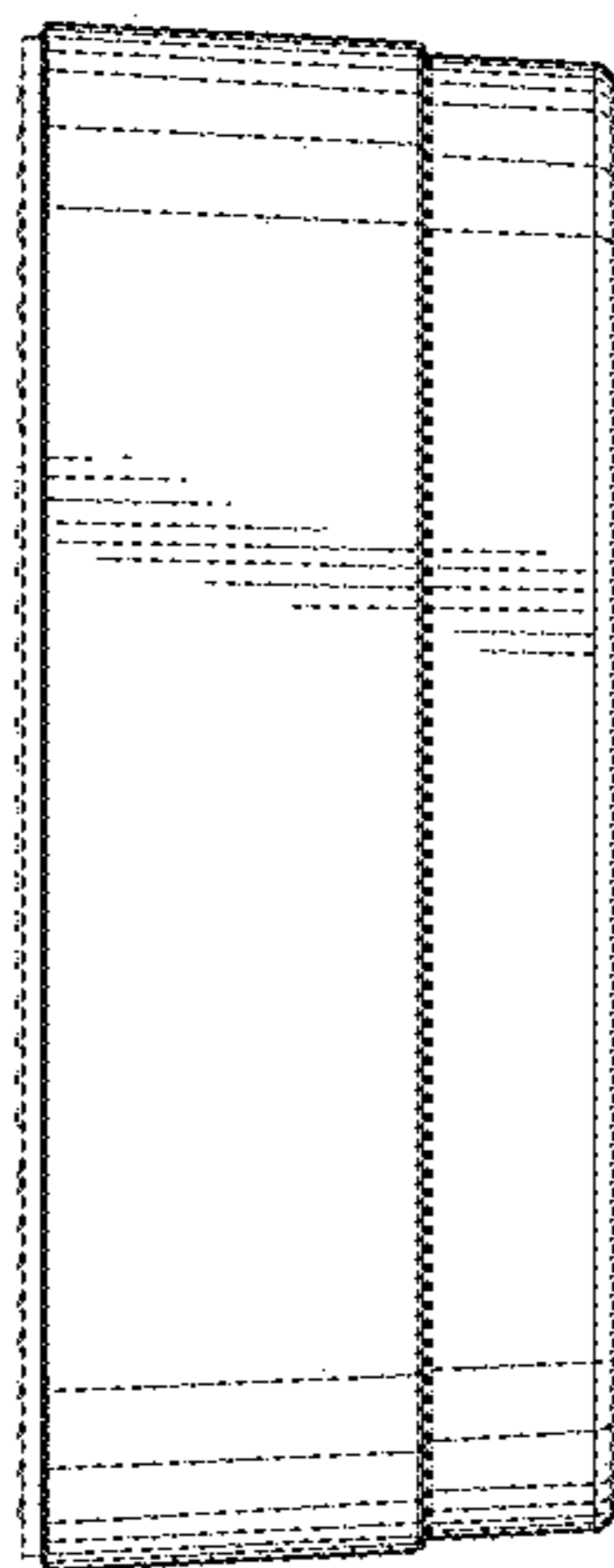
*Fig. 2*



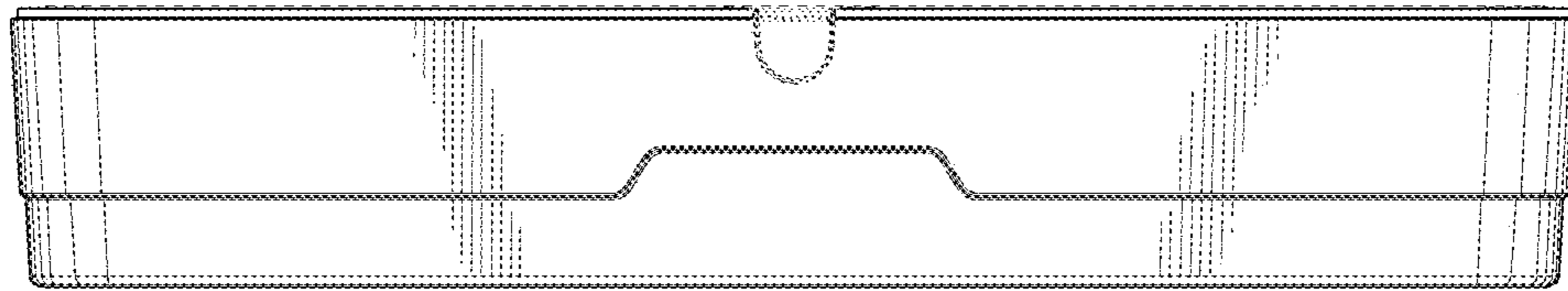
*Fig. 3*



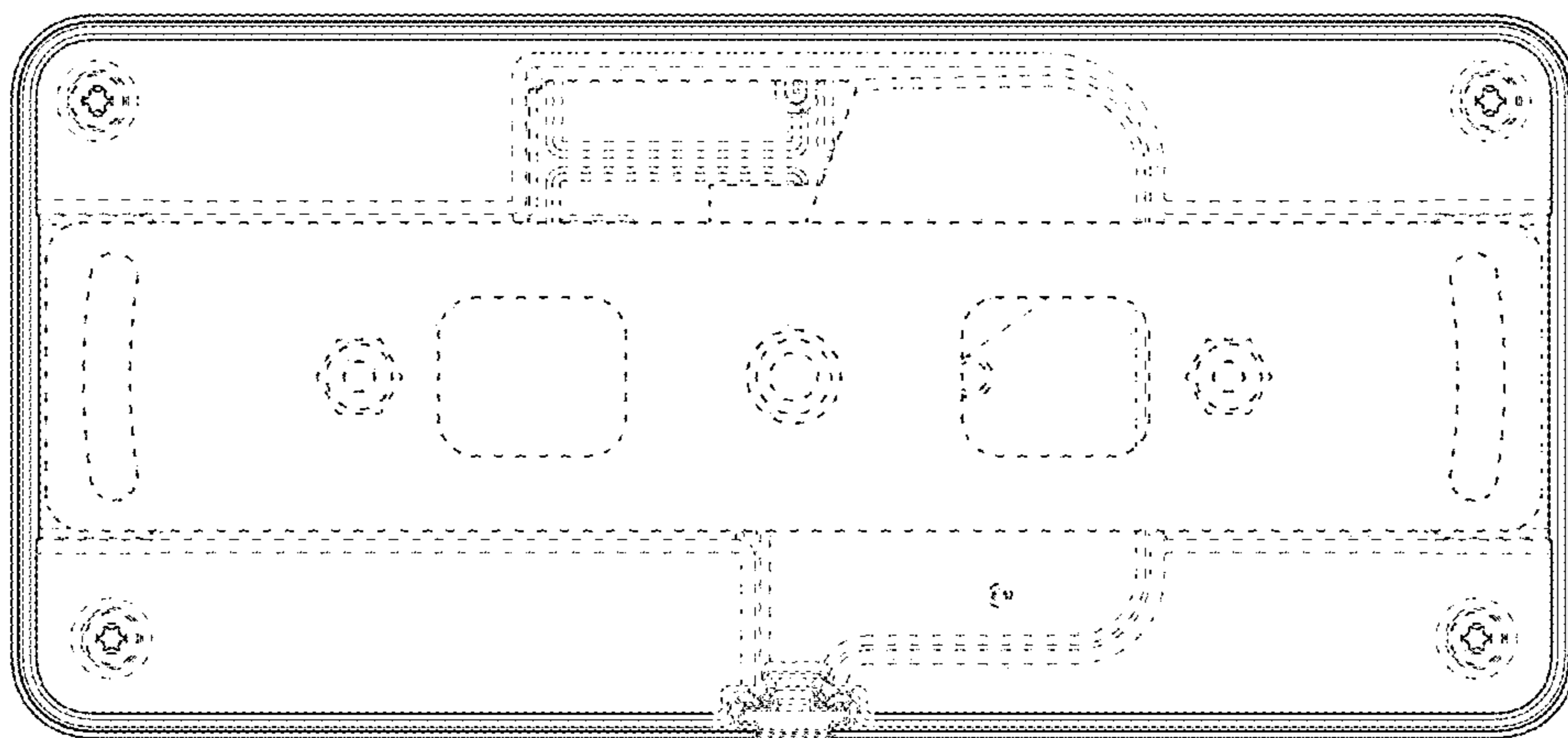
*Fig. 4*



*Fig. 5*



*Fig. 6*



*Fig. 7*