



US00D922466S

(12) **United States Design Patent**
Larsen et al.

(10) **Patent No.:** **US D922,466 S**
(45) **Date of Patent:** **** Jun. 15, 2021**

(54) **CAMERA VIEWFINDER**

(71) Applicant: **Arnold & Richter Cine Technik GmbH & Co. Betriebs KG**, Munich (DE)

(72) Inventors: **Kristine Larsen**, Munich (DE); **Daniel Beck**, Munich (DE); **Florian Leupelt**, Munich (DE); **Nils Radau**, Anif-Salzburg (AT)

(73) Assignee: **Arnold & Richter Cine Technik GmbH & Co. Betriebs KG**, Munich (DE)

(**) Term: **15 Years**

(21) Appl. No.: **29/706,290**

(22) Filed: **Sep. 19, 2019**

(30) **Foreign Application Priority Data**

Mar. 27, 2019 (EM) EM 006340774

(51) **LOC (13) Cl.** **16-01**

(52) **U.S. Cl.**
USPC **D16/202**

(58) **Field of Classification Search**
USPC D16/200, 202–208, 210, 218, 219, 220, D16/237, 242; 348/231.99, 333.01, 348/333.09, 341, 373–376; 358/906; 396/84, 141, 148, 232, 271, 296, 373, 396/536–538, 544
CPC G03B 17/02; G03B 19/04; G03B 17/56; G03B 17/04; G03B 15/03; G03B 17/14; H04N 5/2251; H04N 5/2252; H04N 5/2253; H04N 5/2254
See application file for complete search history.

(56) **References Cited**

U.S. PATENT DOCUMENTS

D400,226 S * 10/1998 Tenne D16/220
D476,021 S * 6/2003 Masano D16/202

D541,325 S * 4/2007 Sumita D16/202
D579,038 S * 10/2008 Mutz D16/202
D598,941 S * 8/2009 Tanifuji D16/202
D695,330 S * 12/2013 Shimizu D16/202
D769,955 S 10/2016 Faehrmann et al.
9,854,173 B2 * 12/2017 Faehrmann H04N 5/2252
D872,157 S * 1/2020 Nishiwaki D16/202
D875,156 S * 2/2020 Tanifuji D16/202
D890,830 S * 7/2020 Song D16/202
2007/0013800 A1 * 1/2007 Pope G02B 7/021
348/333.01
2009/0256945 A1 * 10/2009 Matsuda H04N 5/23293
348/333.01
2014/0233933 A1 * 8/2014 Schmidt G03B 17/565
396/382

* cited by examiner

Primary Examiner — Ramzi S Almatrahi

(74) *Attorney, Agent, or Firm* — Amster, Rothstein & Ebenstein LLP

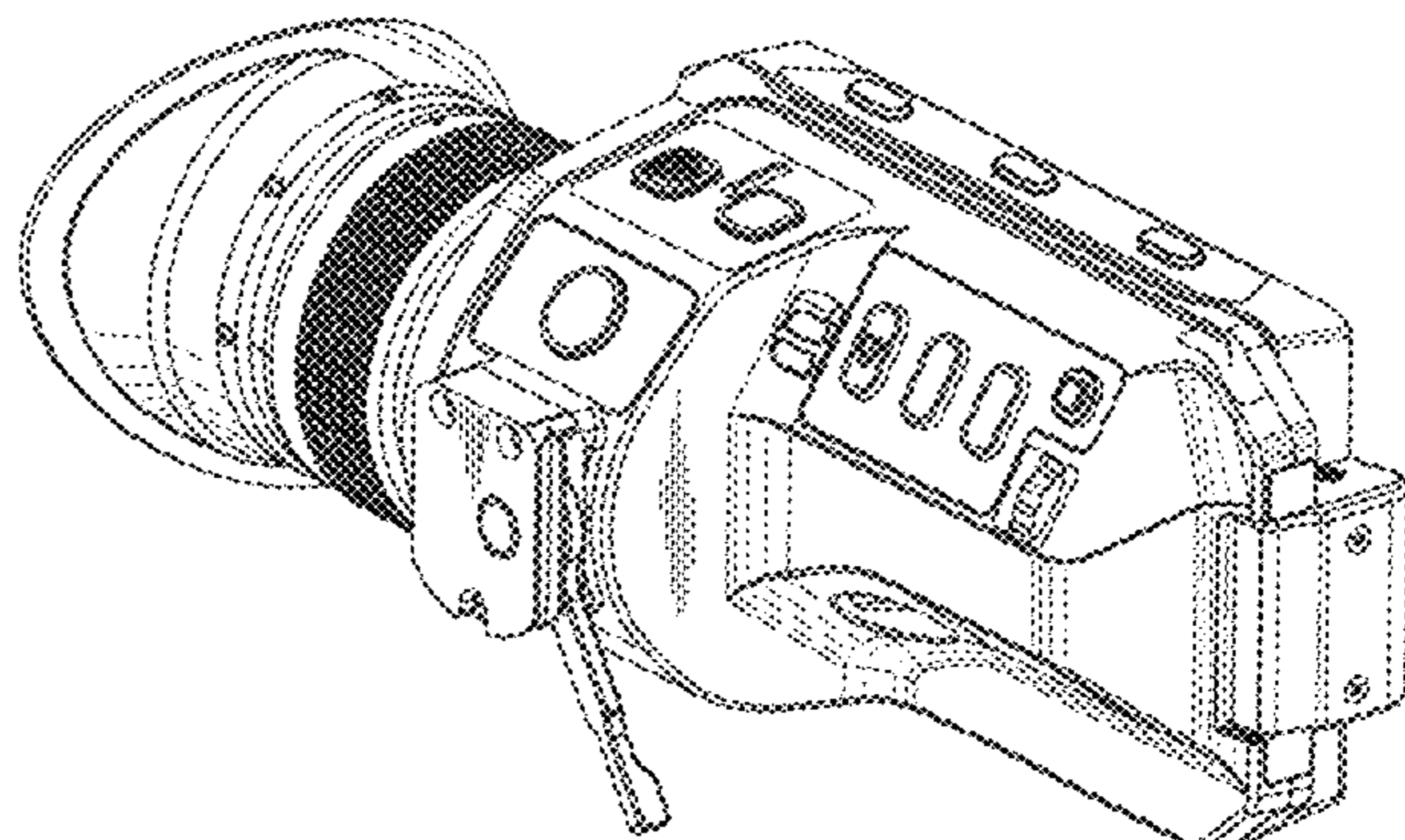
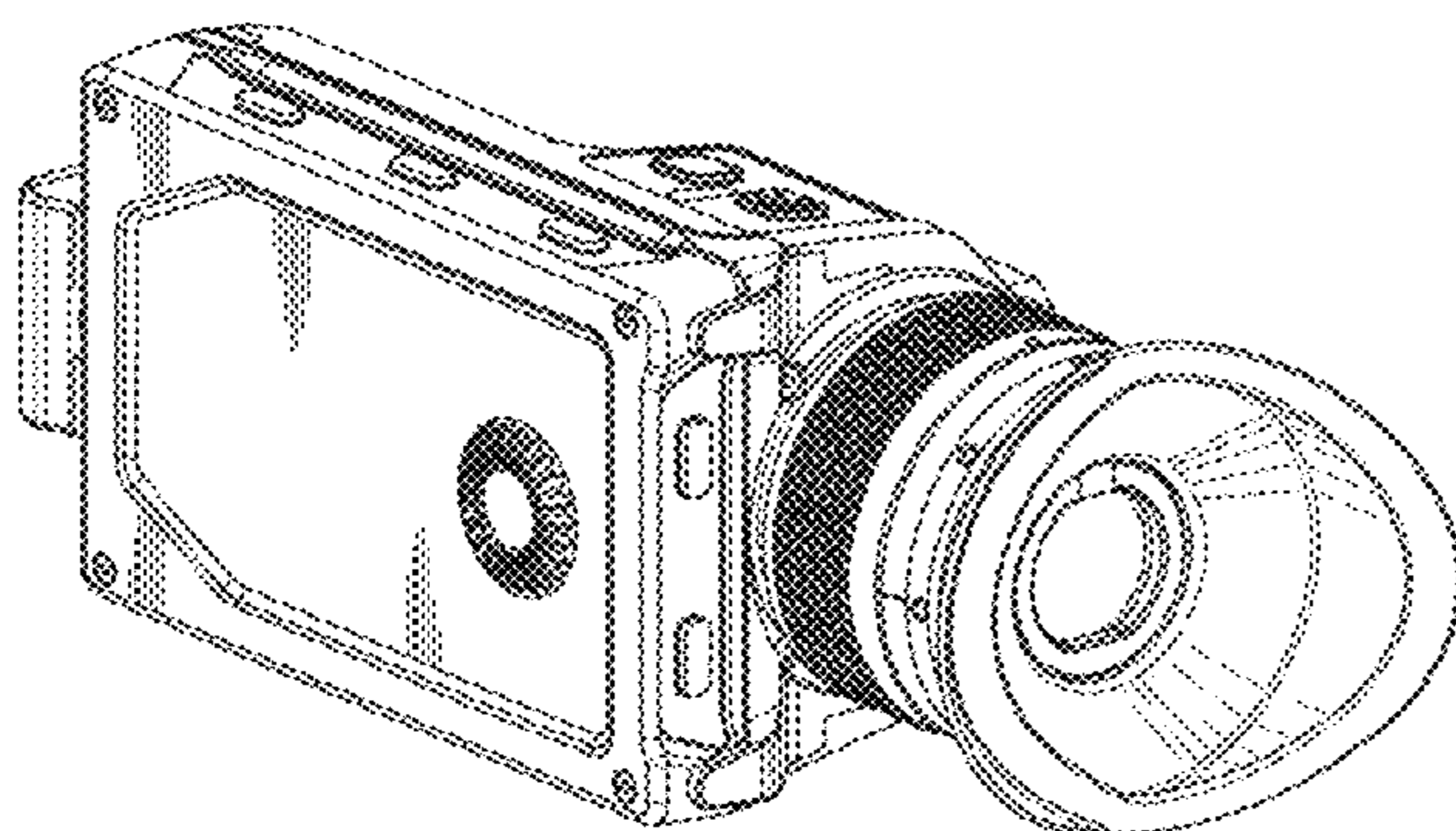
(57) **CLAIM**

The ornamental design for a camera viewfinder, as shown and described.

DESCRIPTION

FIG. 1 is a top, left, front perspective view of a camera viewfinder, shown with the display screen in a closed position;
FIG. 2 is a top, right, rear perspective view thereof;
FIG. 3 is a front elevational view thereof;
FIG. 4 is a left side elevational view thereof;
FIG. 5 is a top plan view thereof;
FIG. 6 is a right side elevational view thereof;
FIG. 7 is a rear elevational view thereof;
FIG. 8 is a bottom plan view thereof;
FIG. 9 is a top, left, front perspective view thereof, shown with the display screen in an open position; and,
FIG. 10 is a front elevational view thereof.

1 Claim, 10 Drawing Sheets



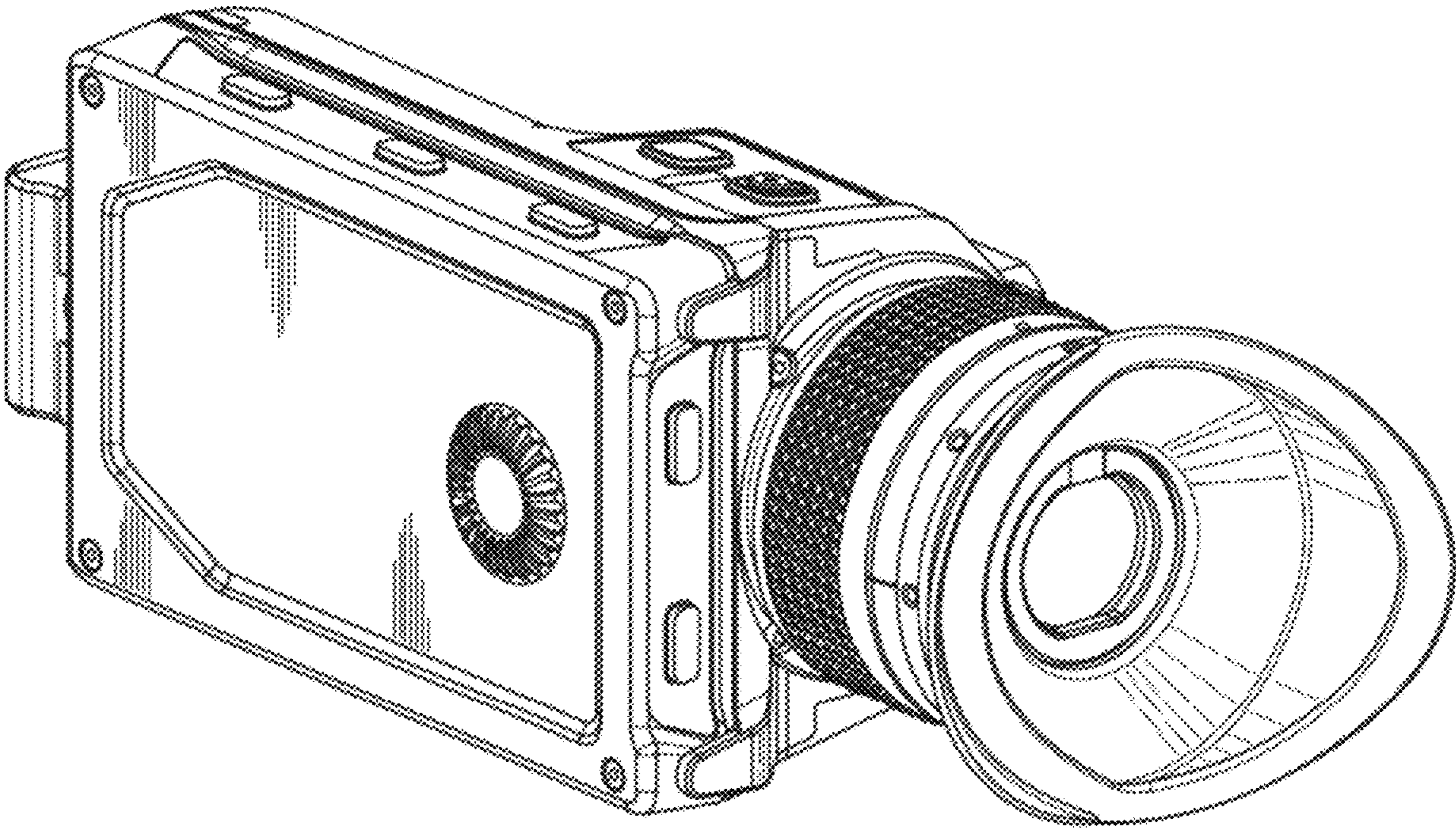


FIG. 1

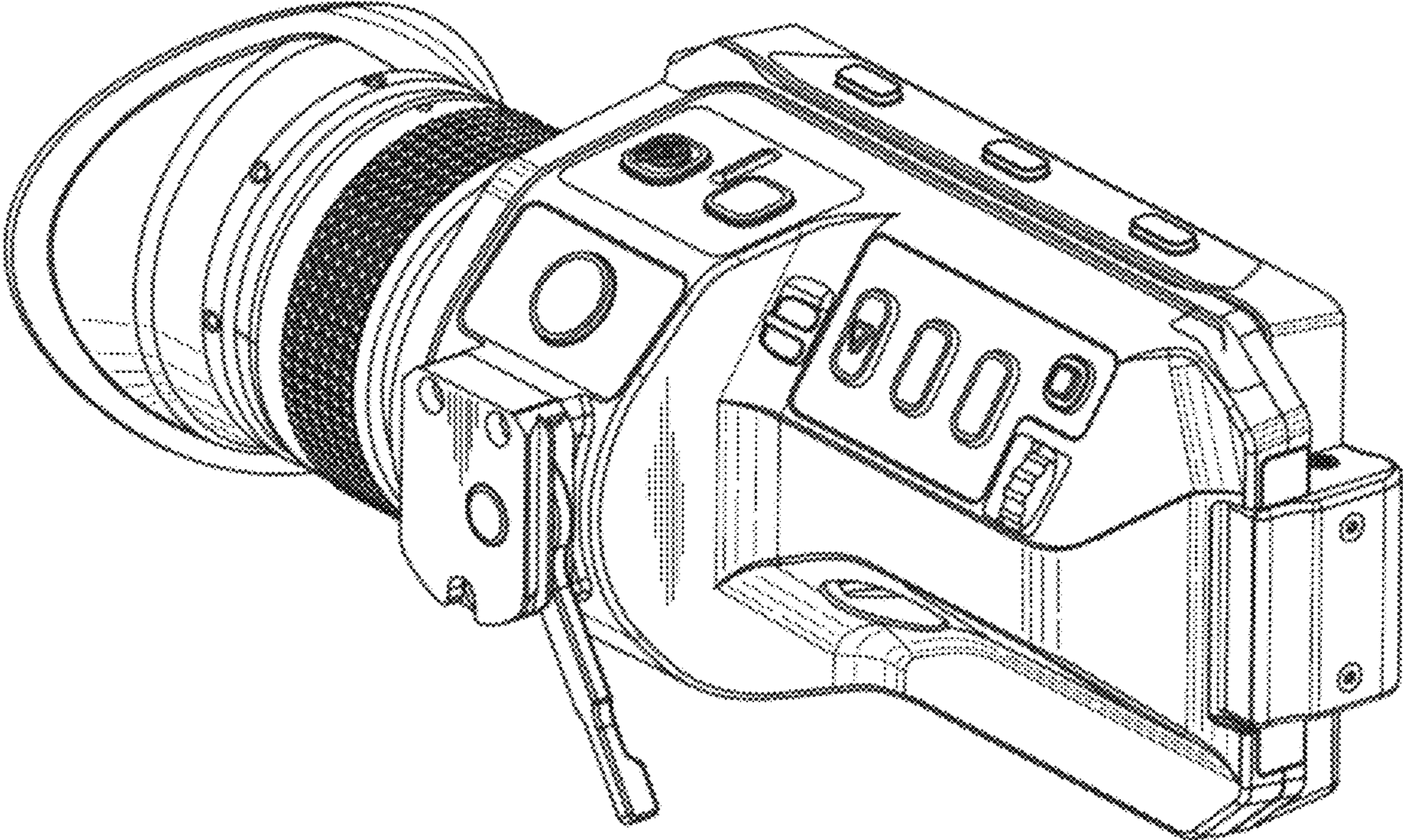


FIG. 2

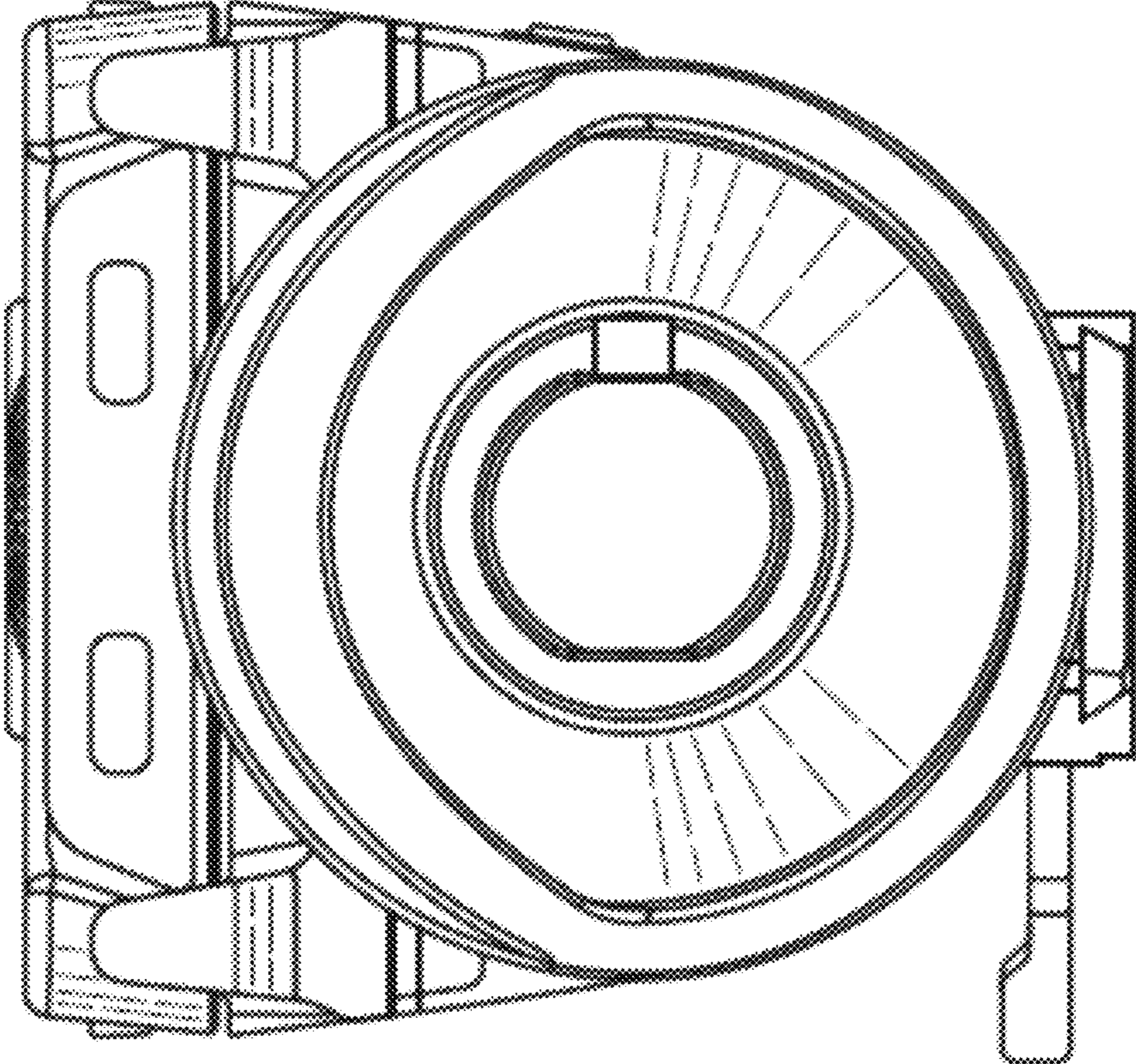


FIG. 3

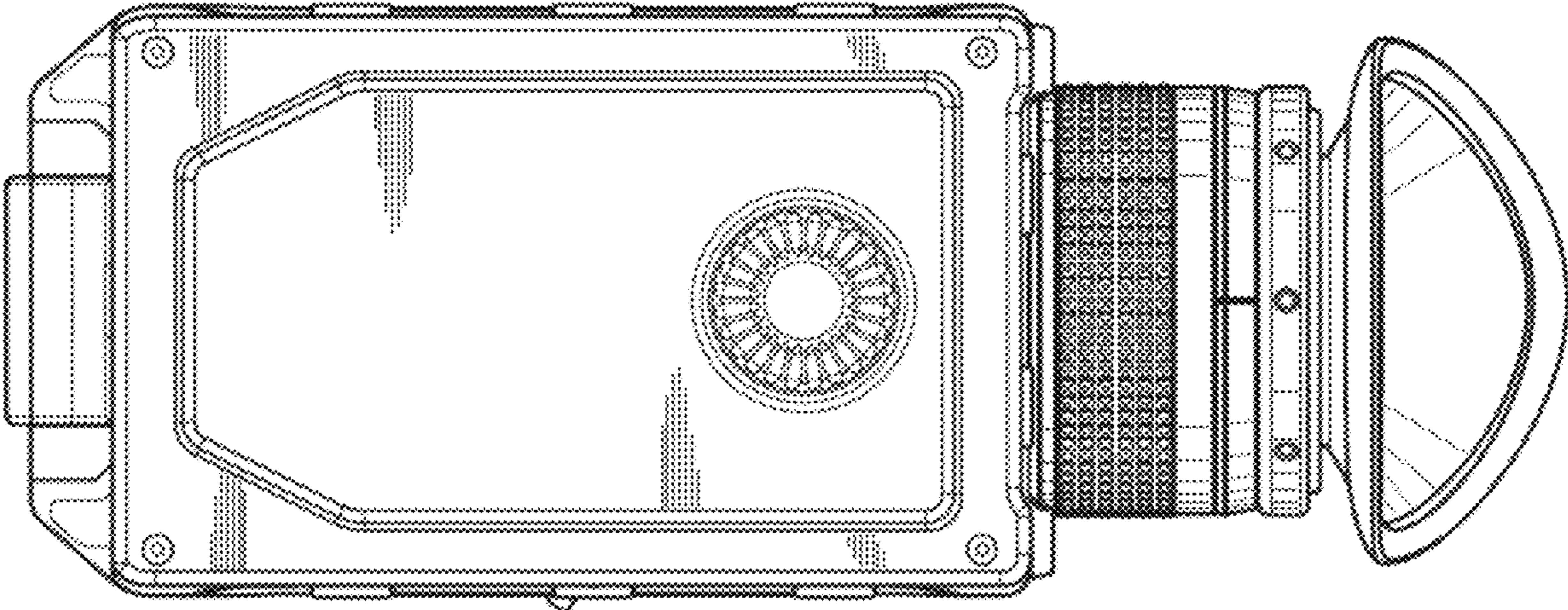


FIG. 4

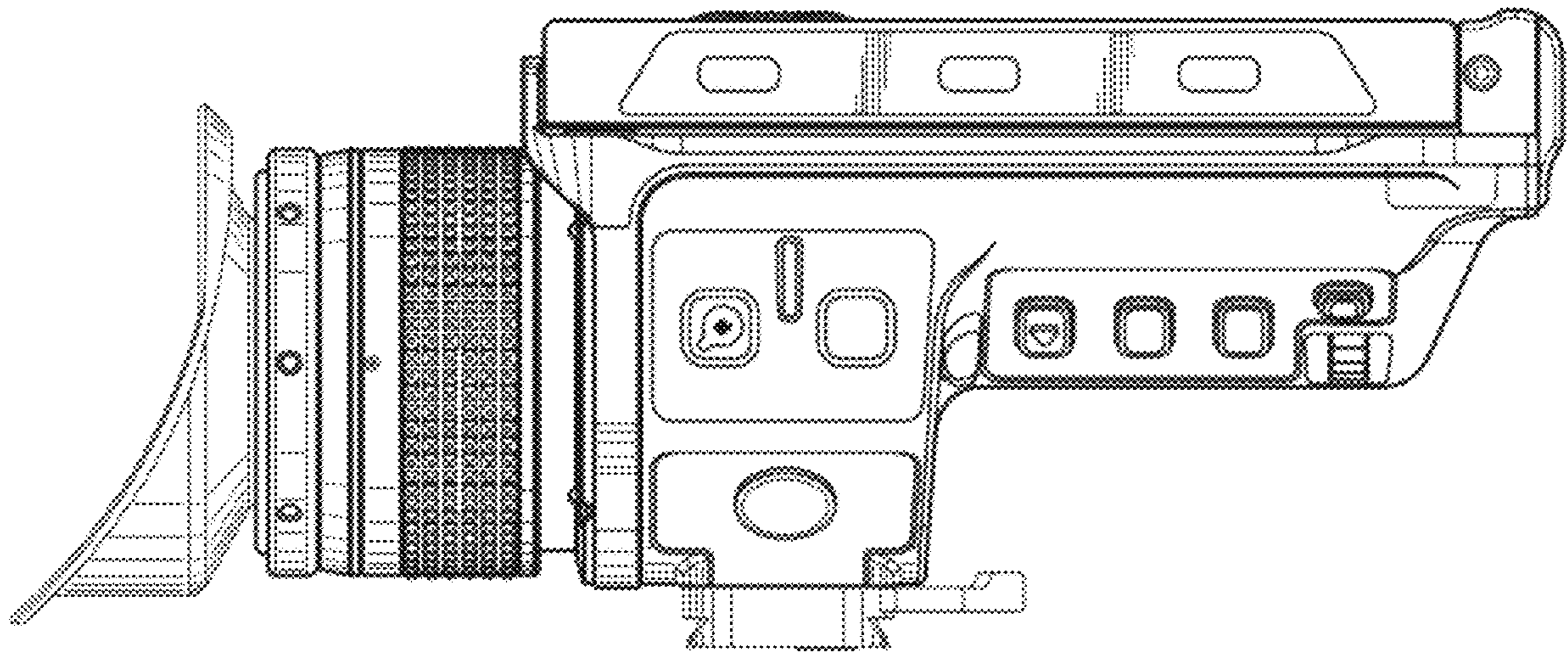


FIG. 5

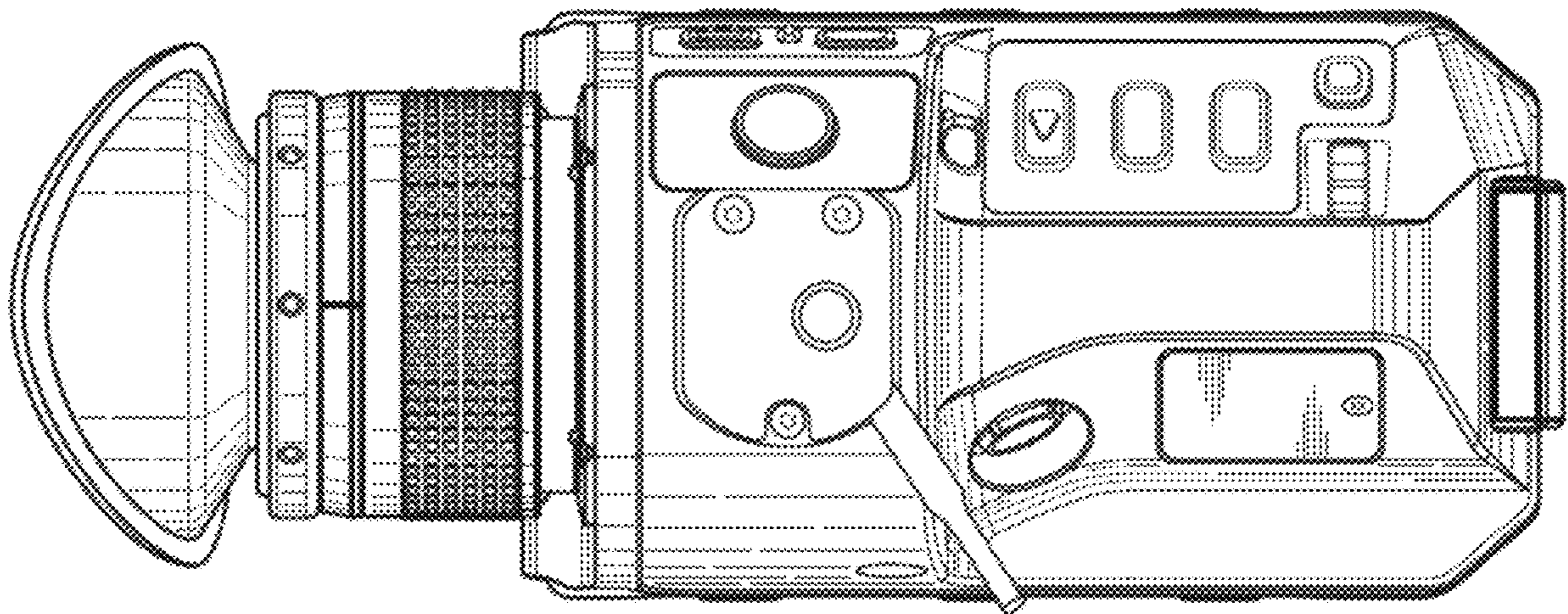


FIG. 6

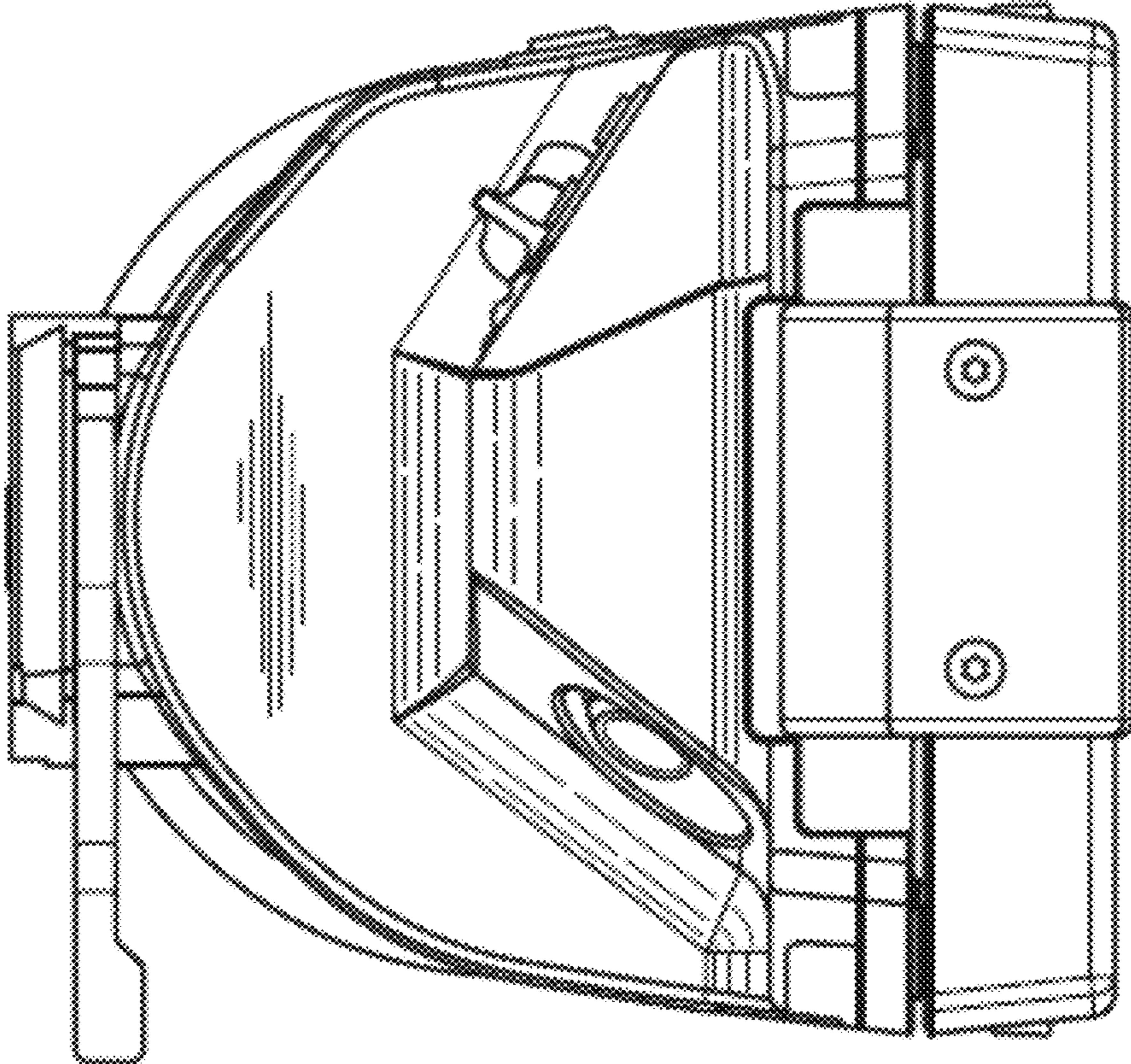


FIG. 7

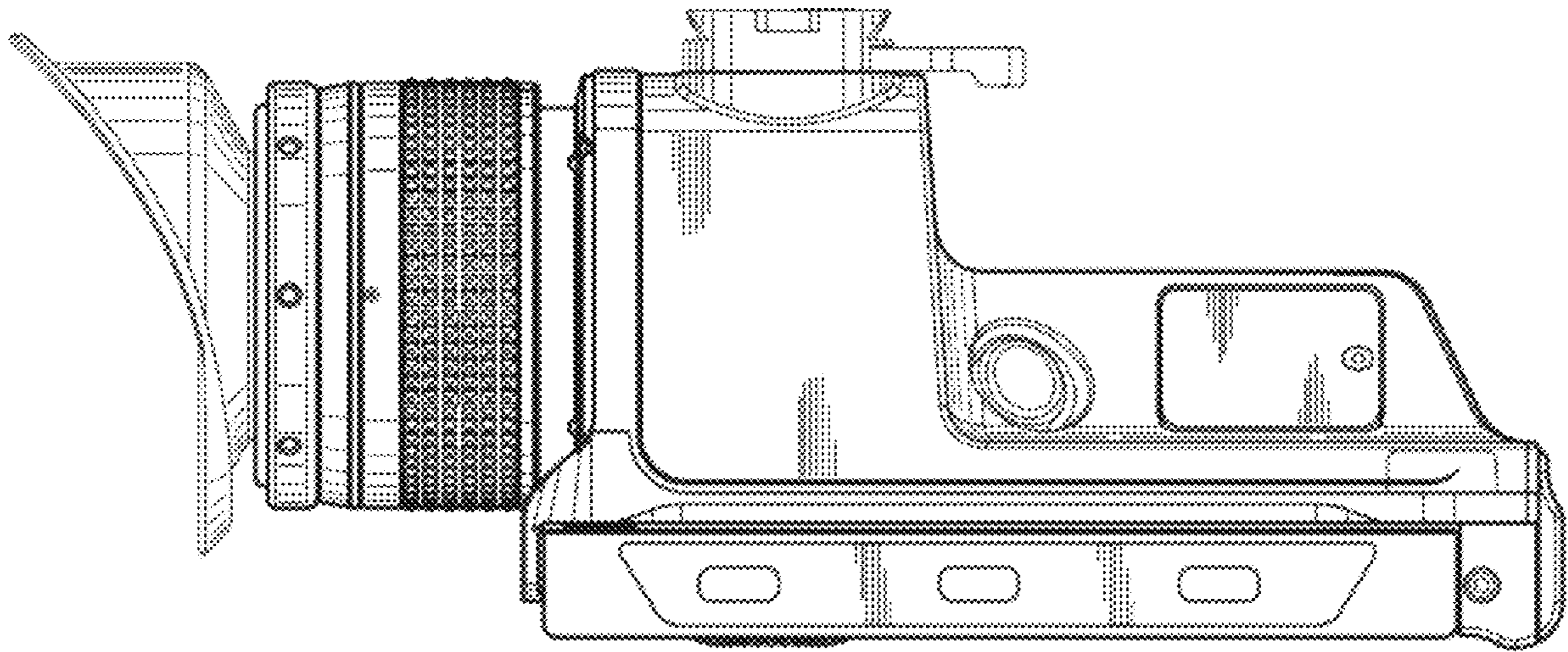


FIG. 8

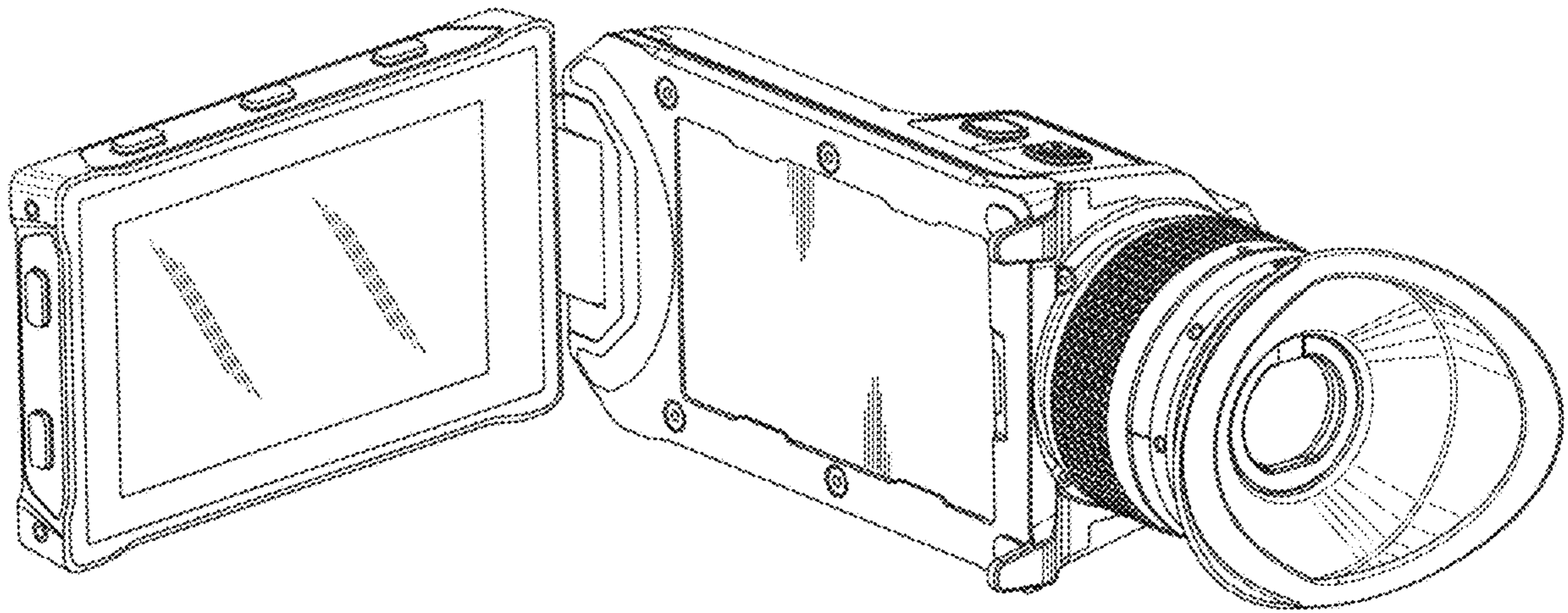


FIG. 9

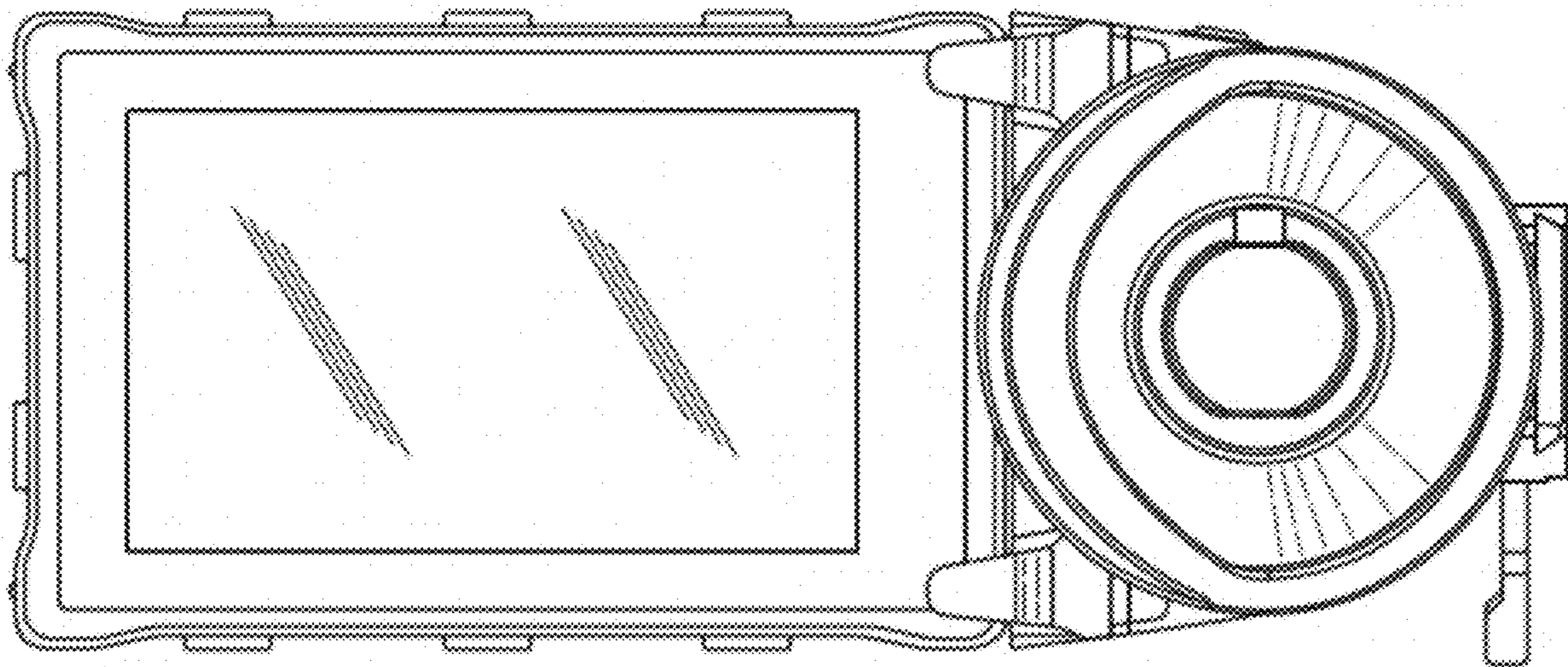


FIG. 10