



US00D922463S

(12) **United States Design Patent**
Liu et al.

(10) **Patent No.:** **US D922,463 S**
(45) **Date of Patent:** **** Jun. 15, 2021**

(54) **SELECTIVE COMPLIANCE ASSEMBLY
ROBOT ARM**

(71) Applicant: **ABB Schweiz AG**, Baden (CH)

(72) Inventors: **Bin Liu**, Shanghai (CN); **Junjie Hu**,
Shanghai (CN); **Zhen Shi**, Shanghai
(CN); **Jiabei Shi**, Shanghai (CN);
Xingjie Li, Shanghai (CN); **Wenxuan
Wu**, Shanghai (CN); **Yusheng Cai**,
Shanghai (CN); **Beibei Chen**, Shanghai
(CN)

(73) Assignee: **ABB Schweiz AG**, Baden (CH)

(**) Term: **15 Years**

(21) Appl. No.: **29/736,189**

(22) Filed: **May 28, 2020**

(30) **Foreign Application Priority Data**

Dec. 12, 2019 (CN) 201930695704.9

(51) **LOC (13) Cl.** **15-99**

(52) **U.S. Cl.**
USPC **D15/199**

(58) **Field of Classification Search**
USPC D15/199; D21/578-583, 621, 622
CPC B25J 9/0018; B25J 9/0025; B23K 9/133;
B23K 9/287; Y10T 74/20; Y10T
74/20207; Y10T 74/20307; Y10T
74/20311

See application file for complete search history.

(56) **References Cited**

U.S. PATENT DOCUMENTS

D293,324 S * 12/1987 Gotou D15/122
D343,630 S * 1/1994 Tomiyama D15/199

D503,943 S * 4/2005 Kawaguchi D15/199
D625,347 S * 10/2010 Feng D15/199
D800,199 S * 10/2017 Yang D15/199
D818,511 S * 5/2018 Li D15/199
D833,499 S * 11/2018 Wang D15/199
D847,890 S * 5/2019 Liu D15/199
D880,549 S * 4/2020 Nagayama D15/199
D911,409 S * 2/2021 Ou Yang D15/199
2005/0166699 A1 * 8/2005 Meyerhoff B25J 9/06
74/490.01
2014/0109712 A1 * 4/2014 Ono B25J 9/042
74/490.02
2017/0182658 A1 * 6/2017 Bordegnoni B25J 9/044
2017/0239810 A1 * 8/2017 Bordegnoni B25J 9/0009
2018/0229360 A1 * 8/2018 Adachi B25J 9/042

* cited by examiner

Primary Examiner — Patricia A Palasik

(74) *Attorney, Agent, or Firm* — Taft Stettinius &
Hollister LLP

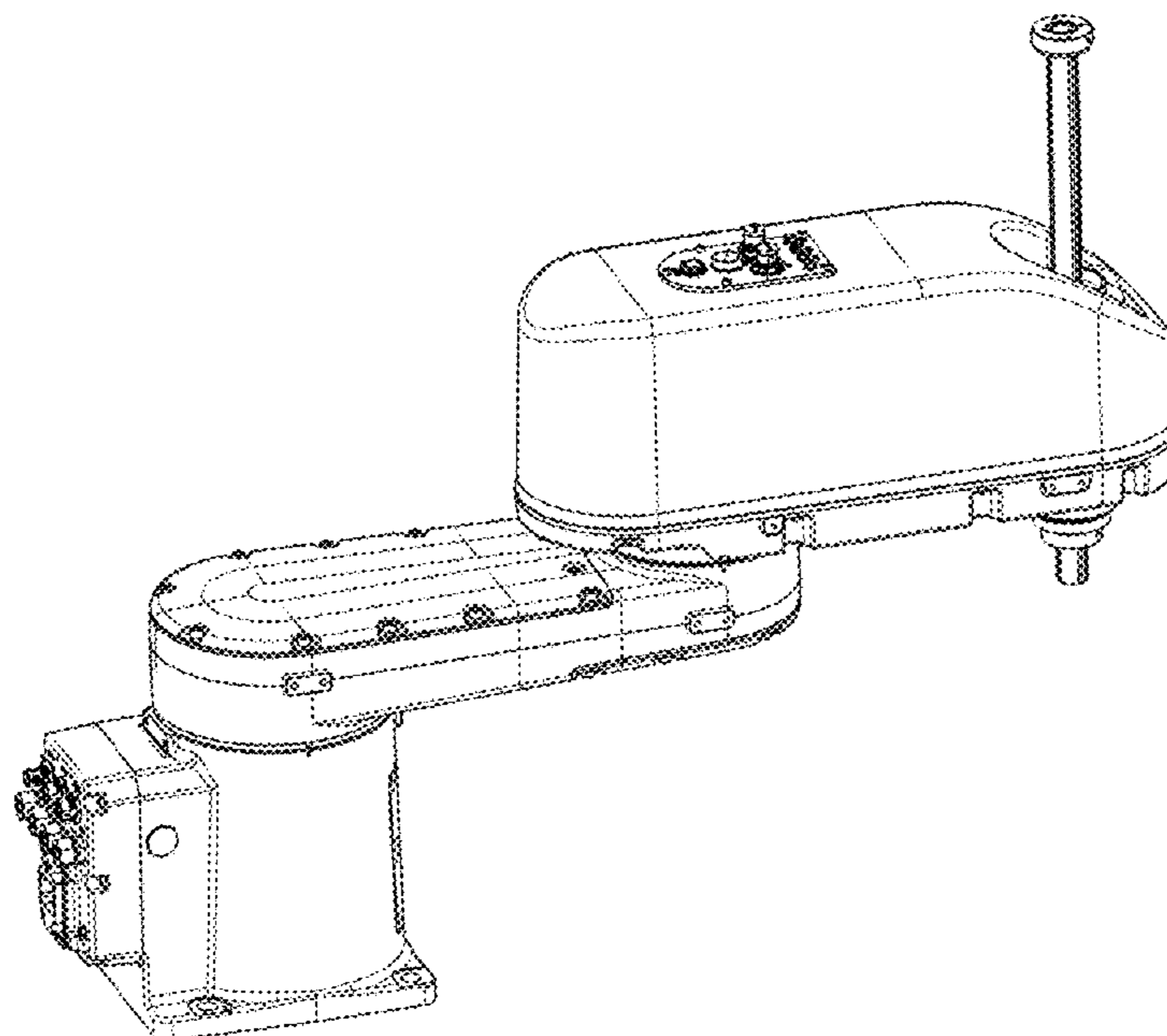
(57) **CLAIM**

The ornamental design for a selective compliance assembly
robot arm, as shown and described.

DESCRIPTION

FIG. 1 is a front view of a selective compliance assembly
robot arm;
FIG. 2 is a rear side view thereof;
FIG. 3 is a left side view thereof;
FIG. 4 is a right side view thereof;
FIG. 5 is a top view thereof;
FIG. 6 is a bottom view thereof;
FIG. 7 is a perspective view thereof;
FIG. 8 is another perspective view thereof;
FIG. 9 is another perspective view thereof; and,
FIG. 10 is another perspective view thereof.

1 Claim, 9 Drawing Sheets



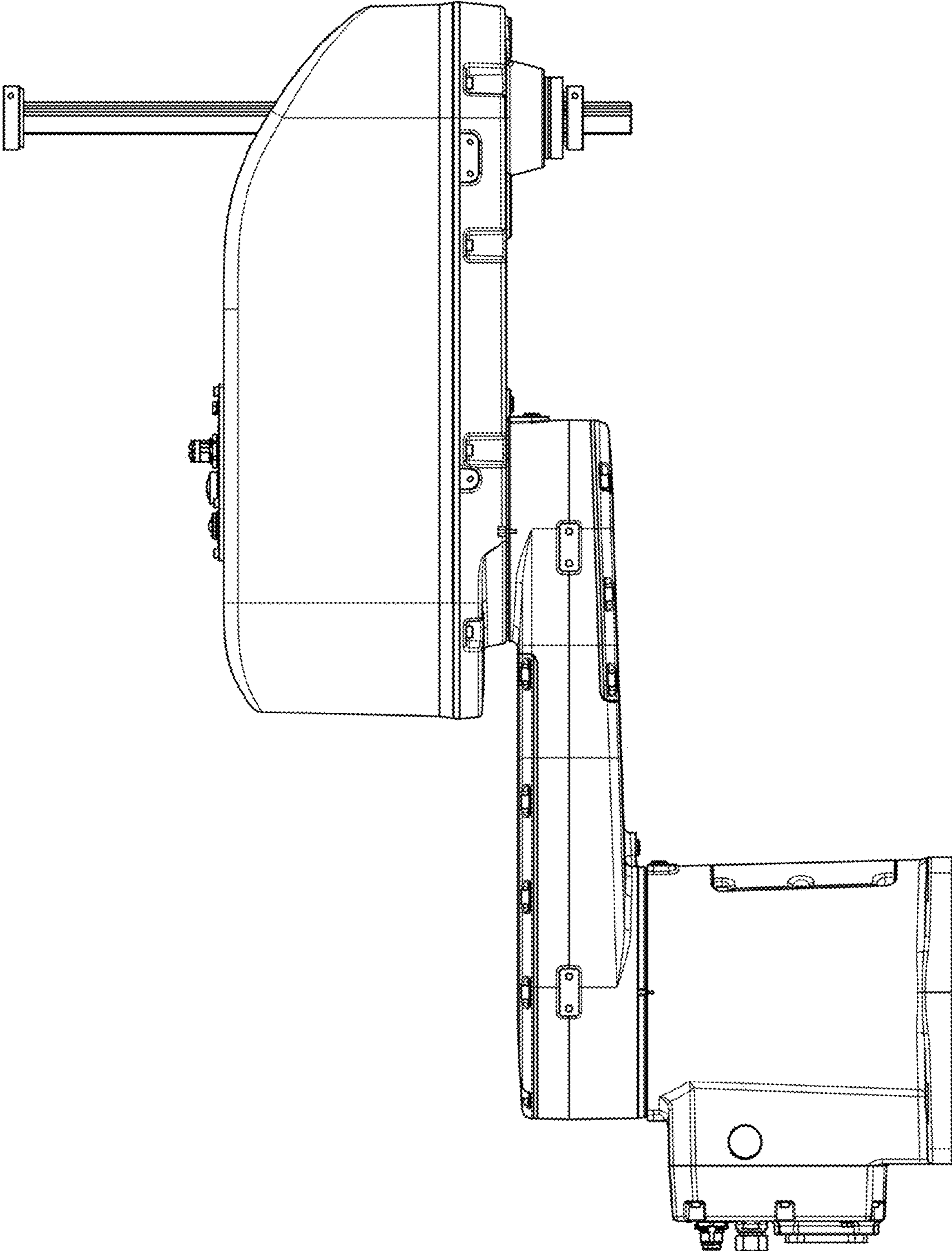


FIG. 1

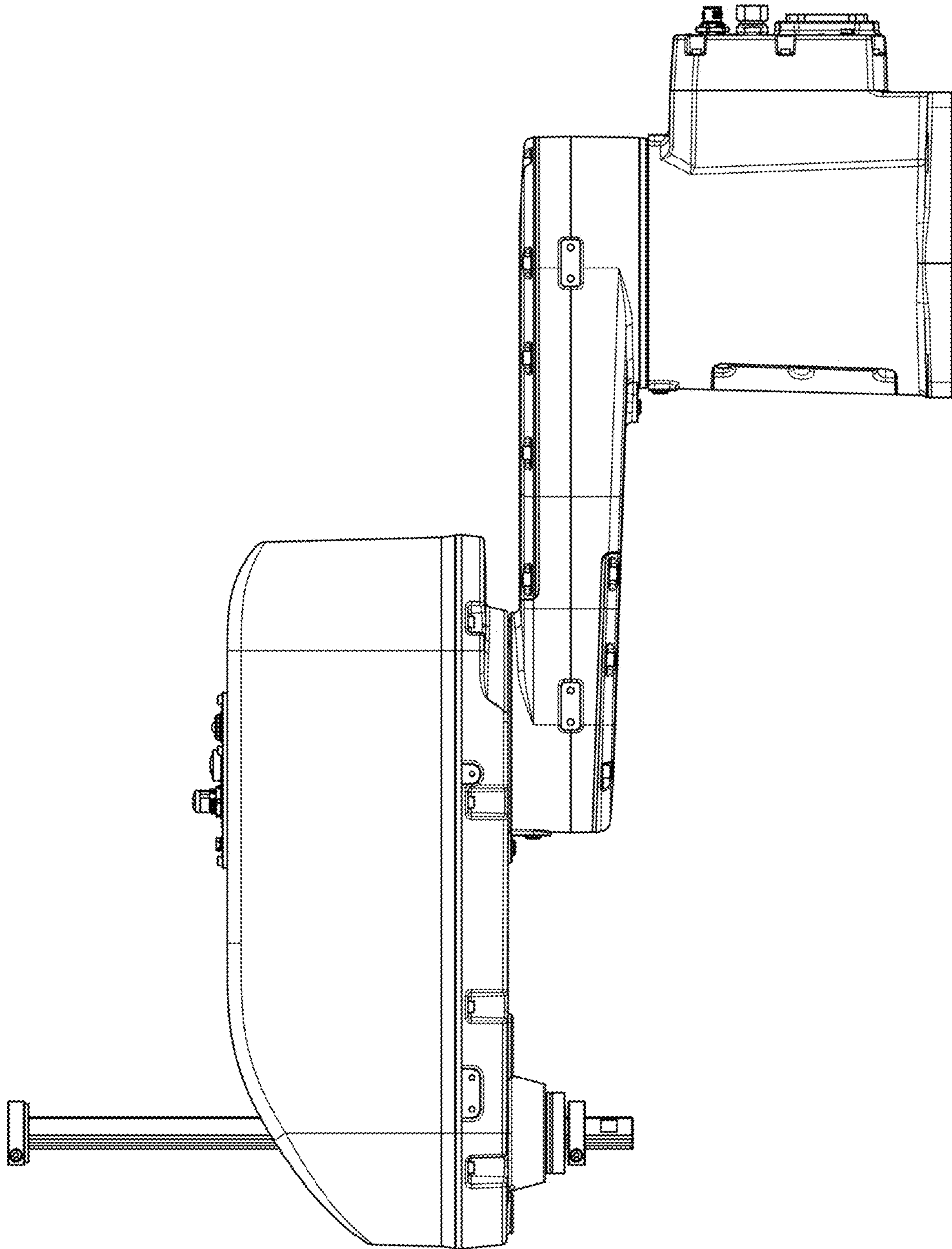


FIG. 2

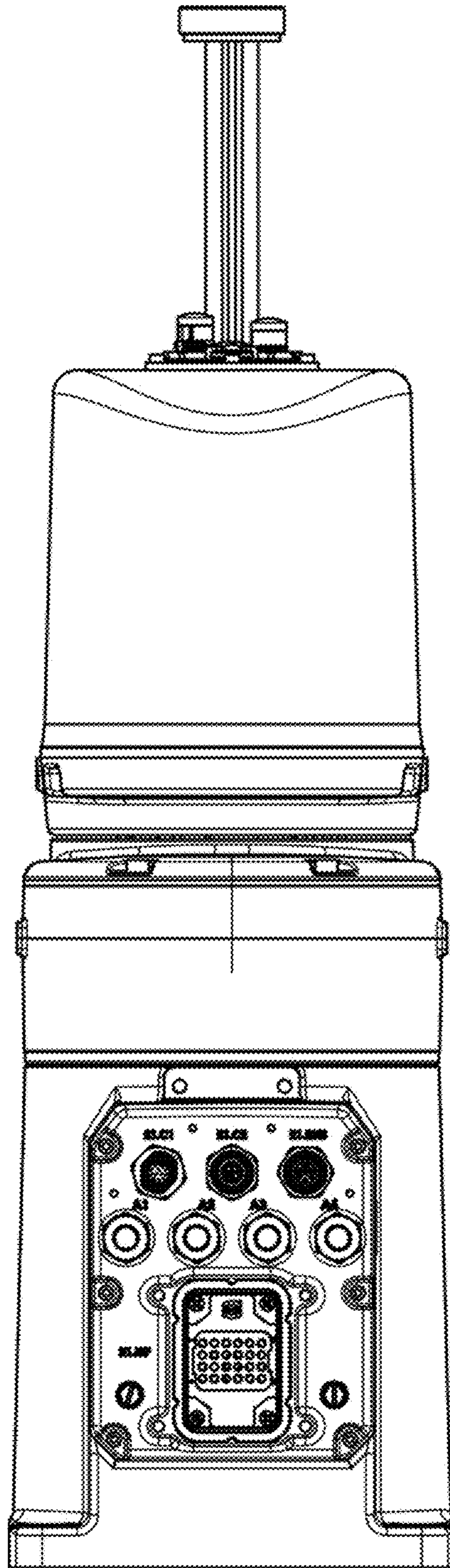


FIG. 3

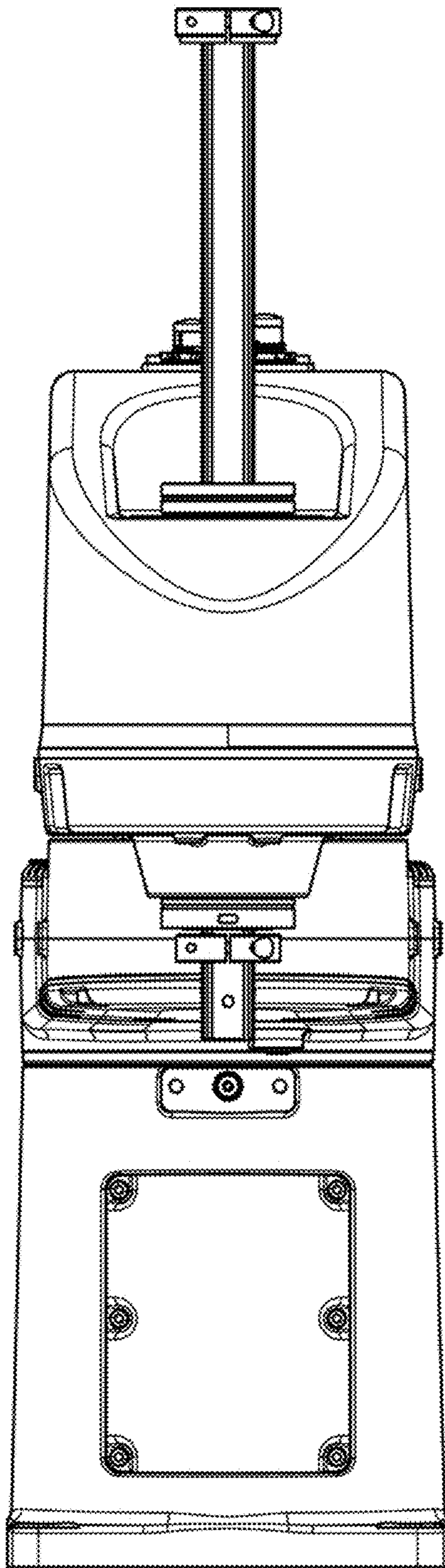


FIG. 4

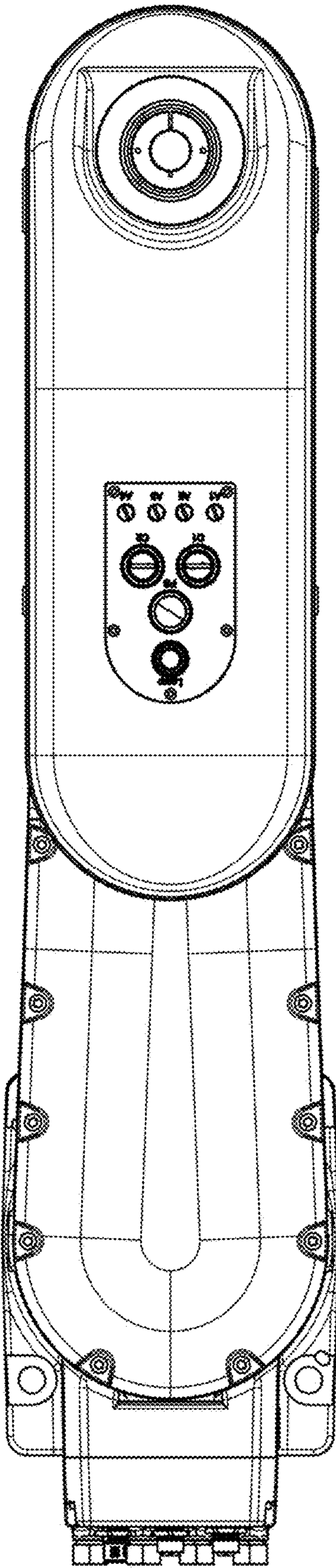


FIG. 5

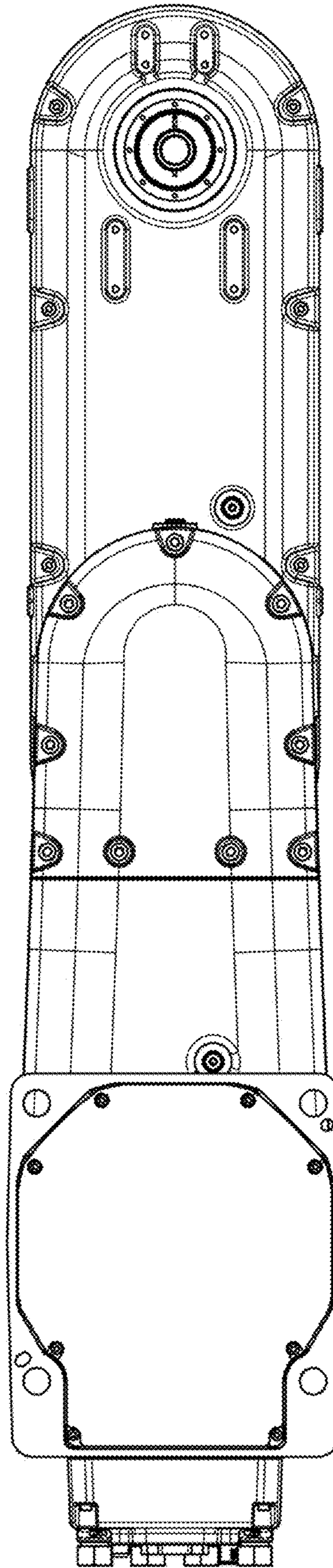


FIG. 6

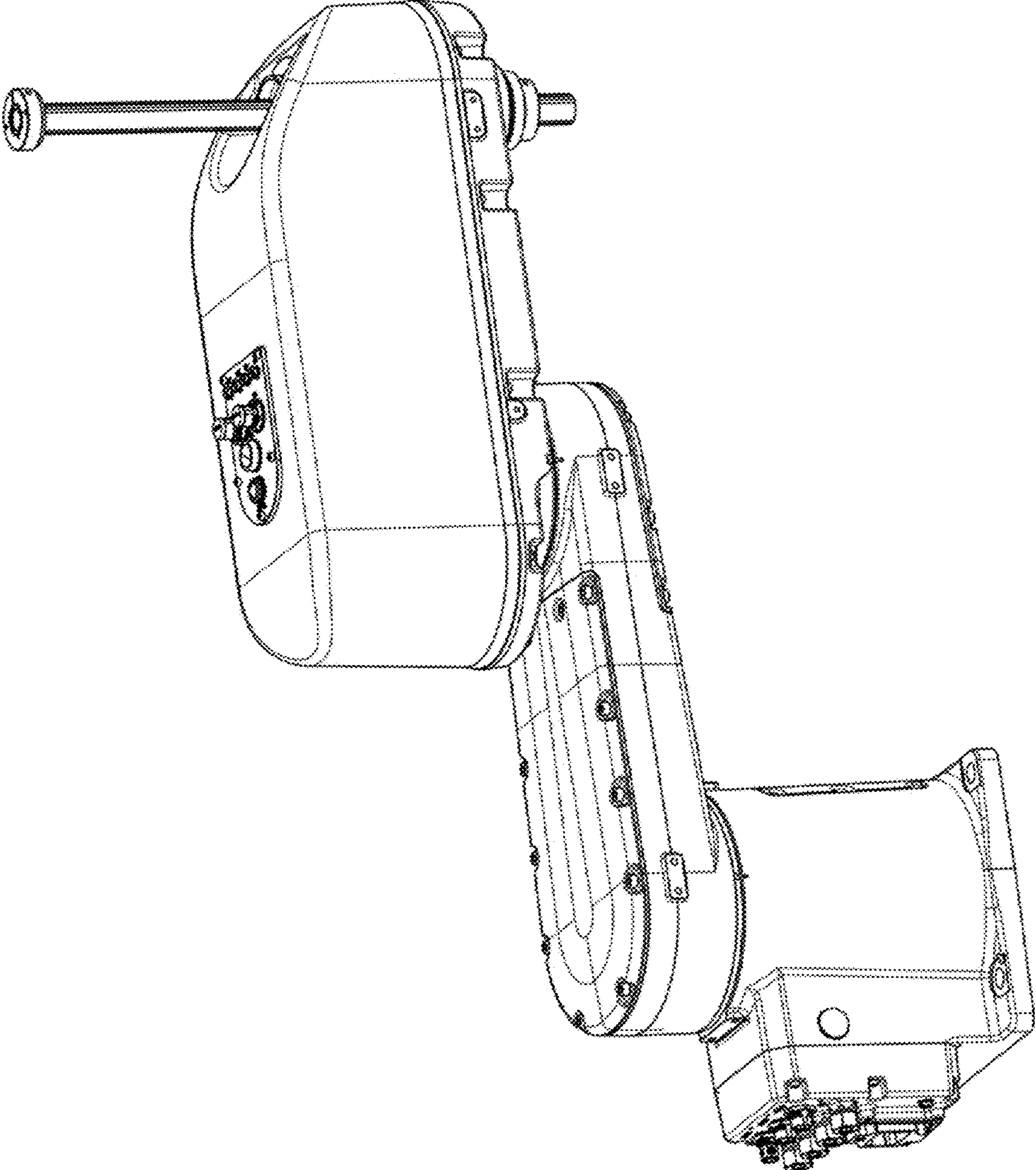


FIG. 7

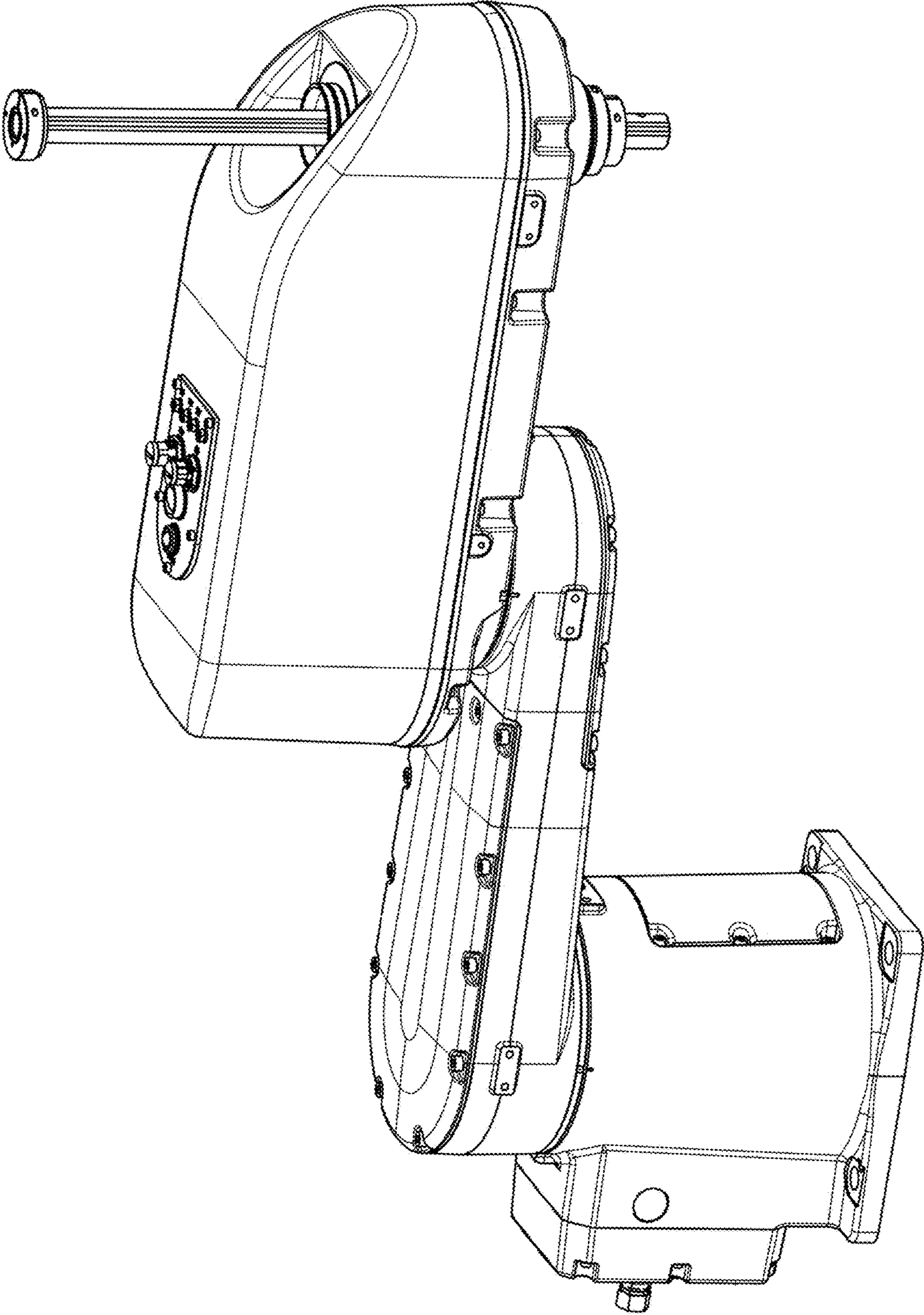


FIG. 8

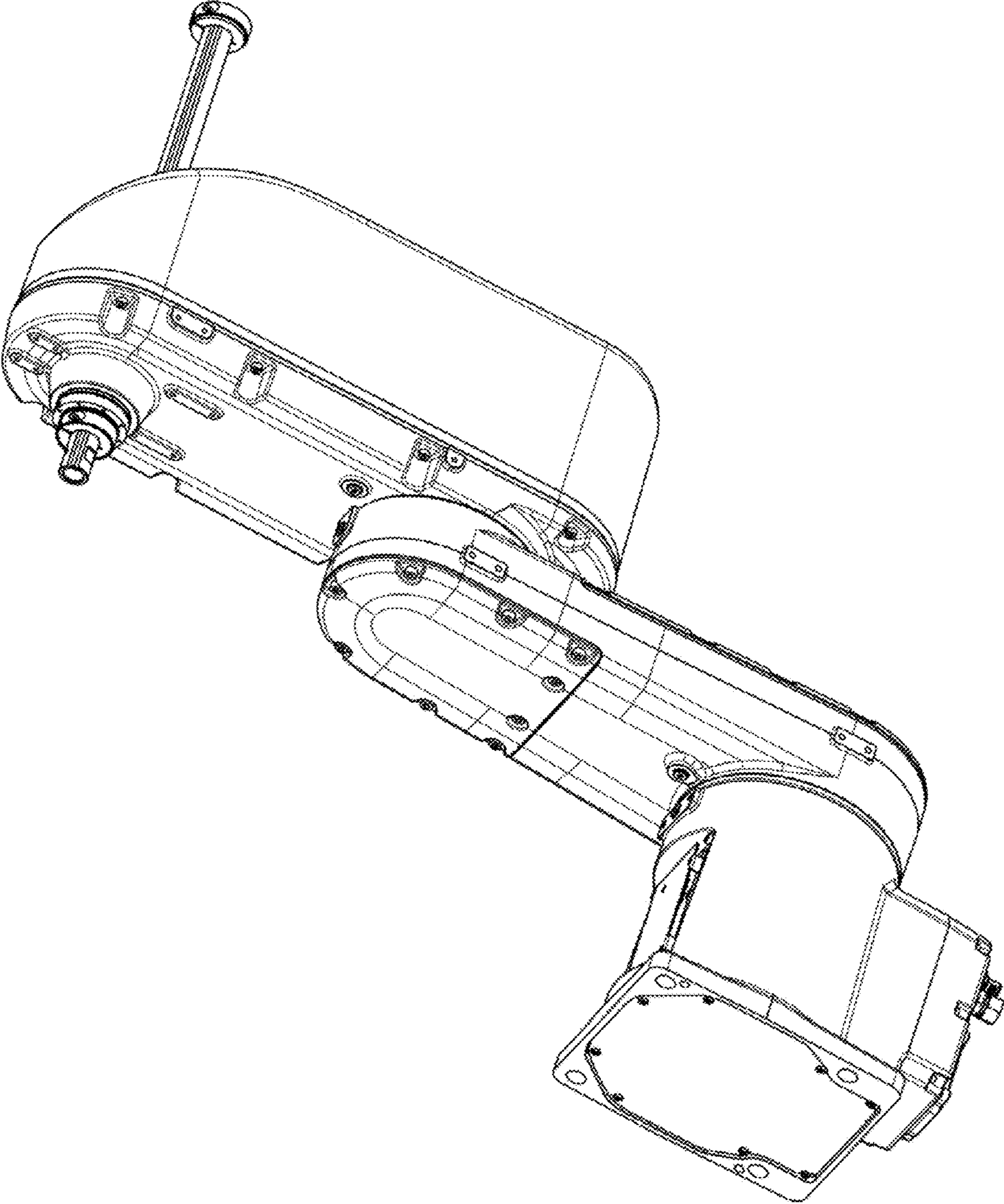


FIG. 9

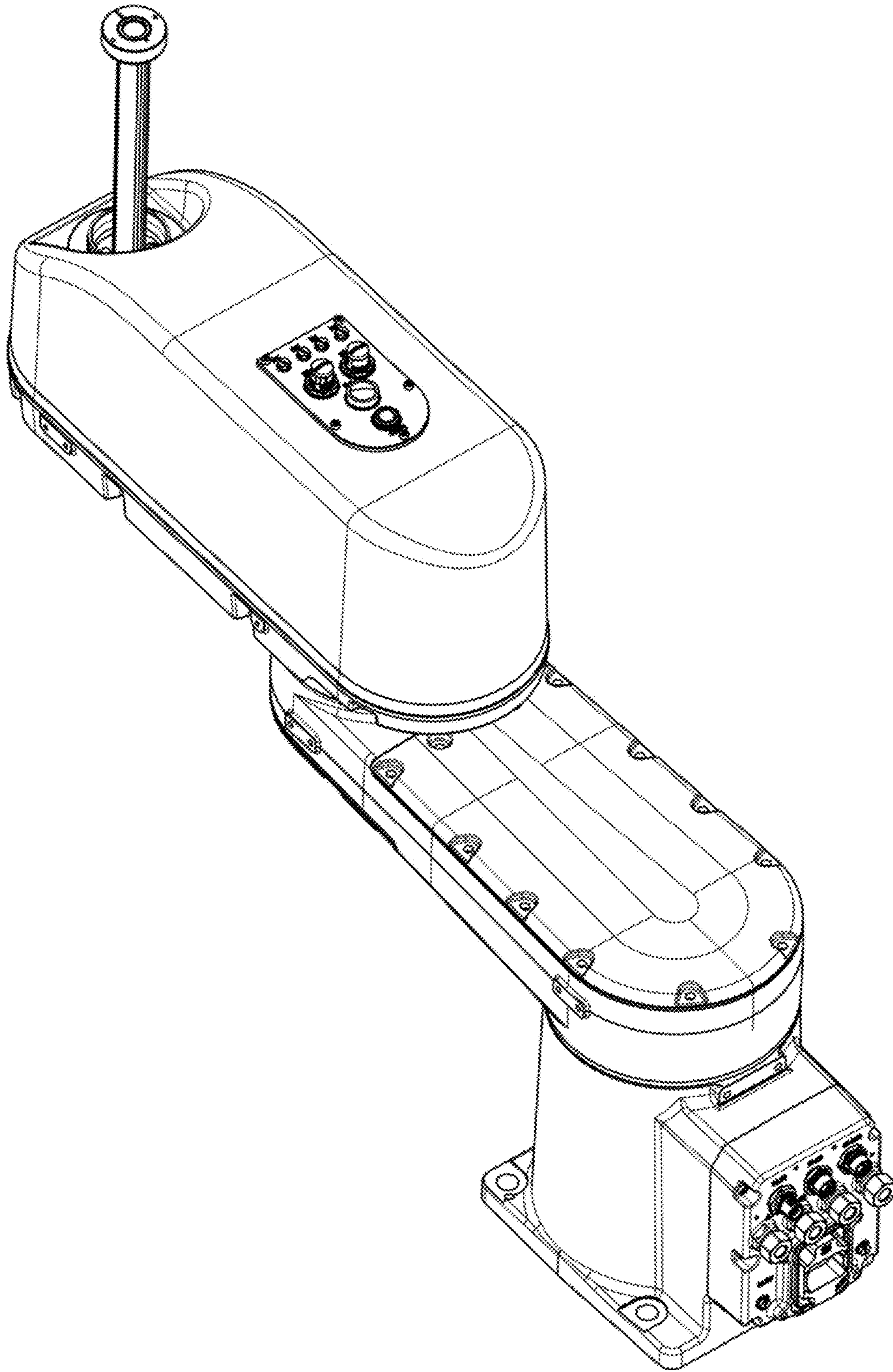


FIG. 10