



US00D922462S

(12) **United States Design Patent**
Leyden

(10) **Patent No.:** **US D922,462 S**
(45) **Date of Patent:** **** Jun. 15, 2021**

- (54) **VACUUM SEALER**
- (71) Applicant: **Sunbeam Products, Inc.**, Boca Raton, FL (US)
- (72) Inventor: **Christian S. Leyden**, Portage, MI (US)
- (73) Assignee: **Sunbeam Products, Inc.**, Boca Raton, FL (US)
- (**) Term: **15 Years**
- (21) Appl. No.: **29/713,036**
- (22) Filed: **Nov. 13, 2019**
- (51) **LOC (13) Cl.** **15-09**
- (52) **U.S. Cl.**
USPC **D15/146**
- (58) **Field of Classification Search**
USPC 15/145, 146; D18/50
CPC B65B 31/046; B65B 31/047
See application file for complete search history.

- 7,204,067 B2 * 4/2007 Baptista B65B 31/046
53/405
- 7,392,641 B2 * 7/2008 Abate B65B 31/046
53/374.9
- 7,540,127 B2 * 6/2009 Sung B65B 31/046
53/434
- D597,572 S * 8/2009 Tsai D15/146
- D602,966 S * 10/2009 Kiple D15/146
- D618,716 S * 6/2010 Huang D15/146
- D633,118 S * 2/2011 Beatty D15/146
- D658,694 S * 5/2012 Day D15/146
- D663,331 S * 7/2012 Day D15/146
- D679,739 S * 4/2013 Crutchley D15/146
- D686,649 S * 7/2013 Zhou D15/146
- D687,079 S * 7/2013 Mueller D15/146
- D694,793 S * 12/2013 Cumming D15/146
- D763,334 S * 8/2016 Yoshitomi D15/146
- D812,662 S * 3/2018 Chang D15/146

(Continued)

Primary Examiner — Patricia A Palasik

(57) **CLAIM**

The ornamental design for a vacuum sealer, as shown and described.

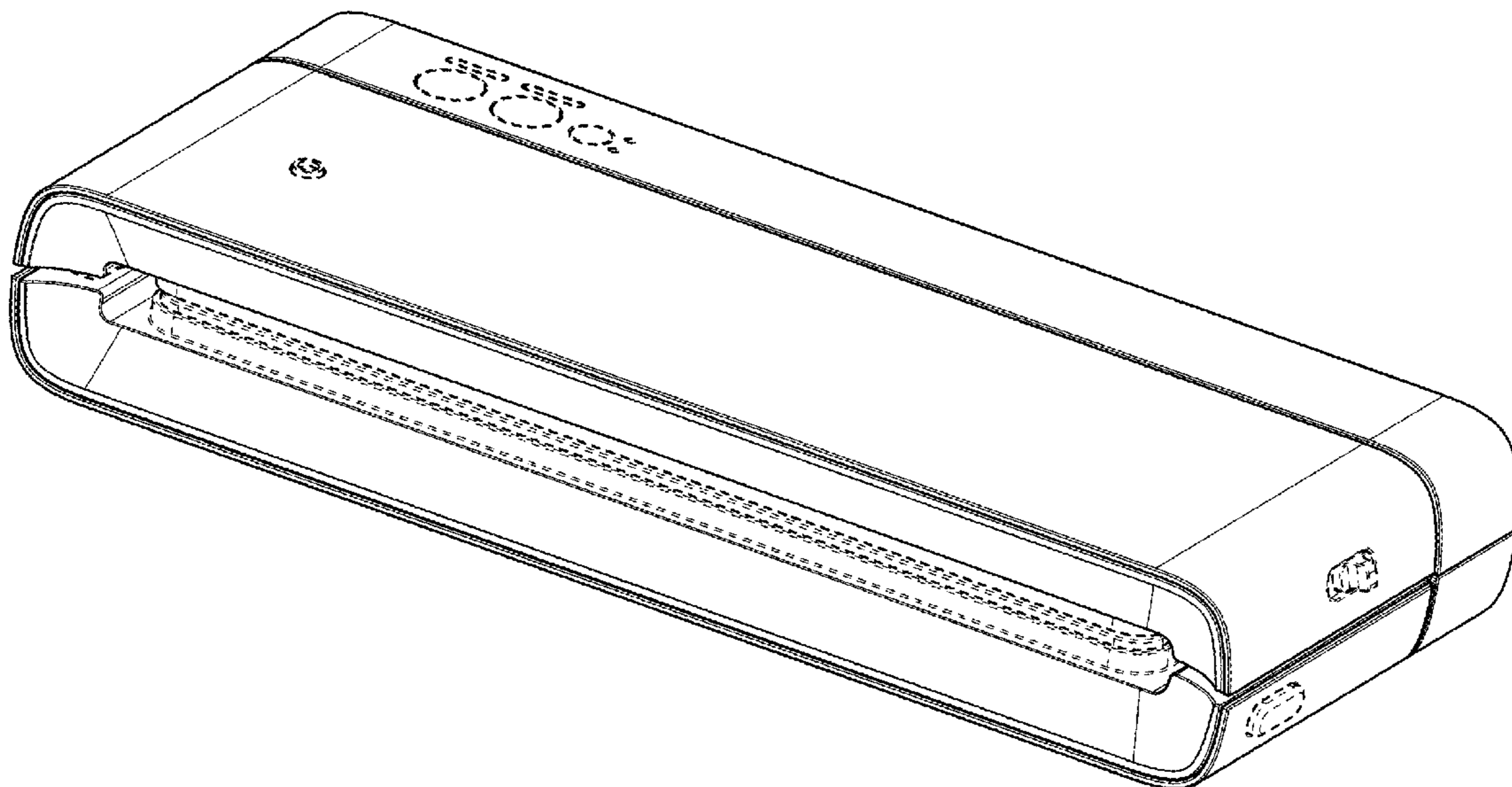
DESCRIPTION

FIG. 1 is a perspective view of a vacuum sealer, showing my new design;
 FIG. 2 is a front view thereof;
 FIG. 3 is a back view thereof;
 FIG. 4 is a right view thereof;
 FIG. 5 is a left view thereof;
 FIG. 6 is a top view thereof;
 FIG. 7 is a bottom view thereof; and,
 FIG. 8 is a perspective view thereof showing the vacuum sealer in an exemplary storage configuration on a counter-top.
 The broken lines in the drawings depict portions of the vacuum sealer which form no part of the claimed design.

1 Claim, 8 Drawing Sheets

(56) **References Cited**
U.S. PATENT DOCUMENTS

- D233,066 S * 10/1974 Bair D15/146
- 4,156,382 A * 5/1979 Baker B29C 66/861
156/510
- 4,561,925 A * 12/1985 Skerjanec B29C 66/861
156/379.6
- D301,238 S * 5/1989 Makihara D15/146
- D339,362 S * 9/1993 Hoover D15/146
- 5,352,323 A * 10/1994 Chi B65B 51/148
156/583.9
- D441,775 S * 5/2001 Cheng D15/146
- 6,694,710 B2 * 2/2004 Wang B65B 31/06
53/427
- D501,859 S * 2/2005 Presta D15/146
- D506,214 S * 6/2005 Zepter D15/146
- D515,601 S * 2/2006 Sholzberg D15/146
- 7,003,928 B2 * 2/2006 Patterson B65B 31/06
53/405



(56)

References Cited

U.S. PATENT DOCUMENTS

D823,913 S *	7/2018	Chou	D15/146
D866,624 S *	11/2019	Choi	D15/146
D871,470 S *	12/2019	Xu	D15/146
D881,245 S *	4/2020	Zheng	D15/146
2005/0022480 A1 *	2/2005	Brakes	B65B 31/046 53/512

* cited by examiner

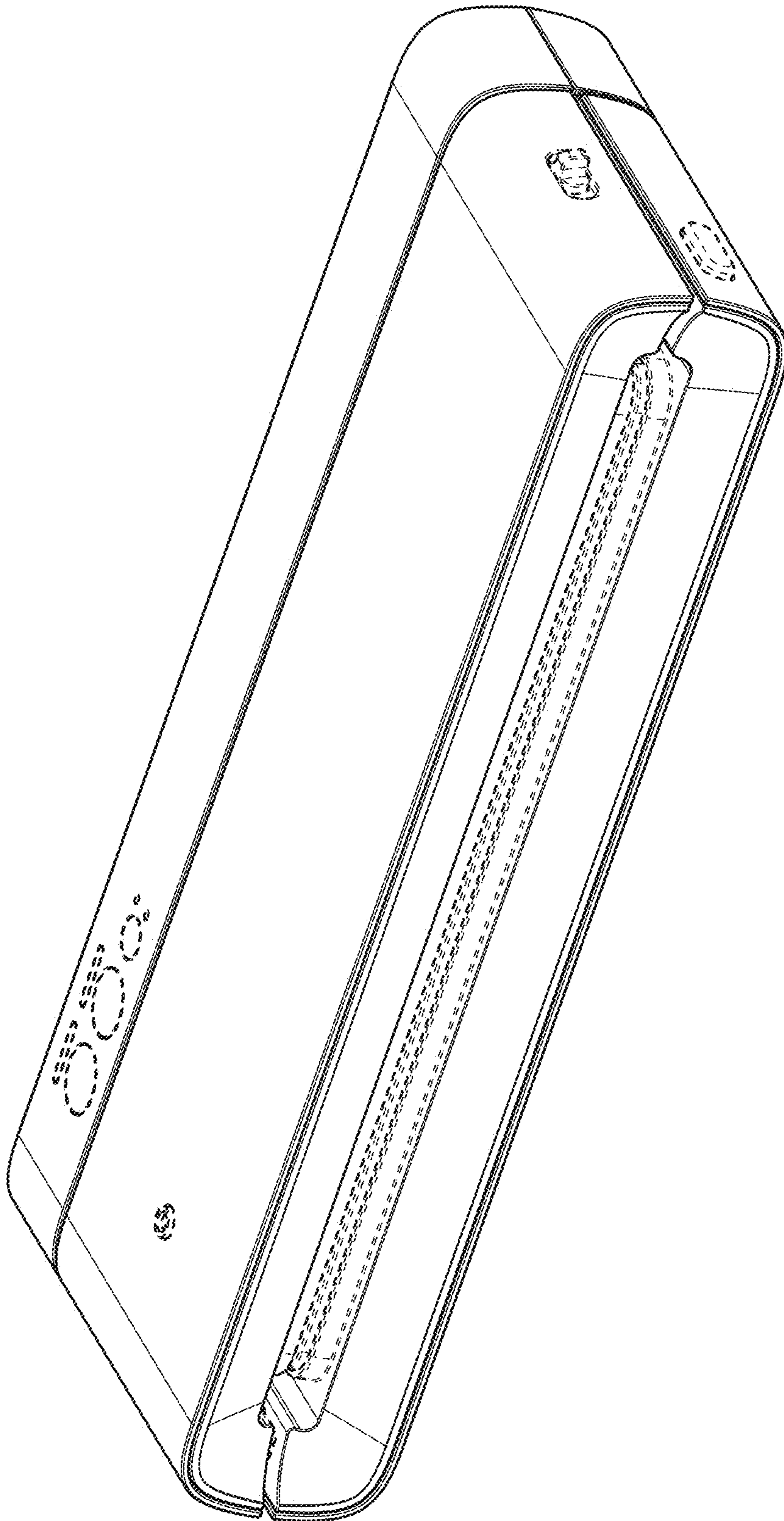


FIG. 1

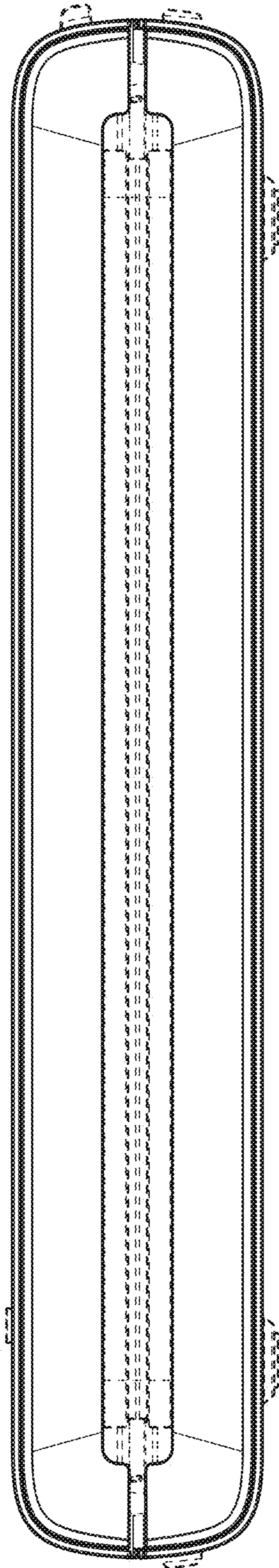


FIG. 2

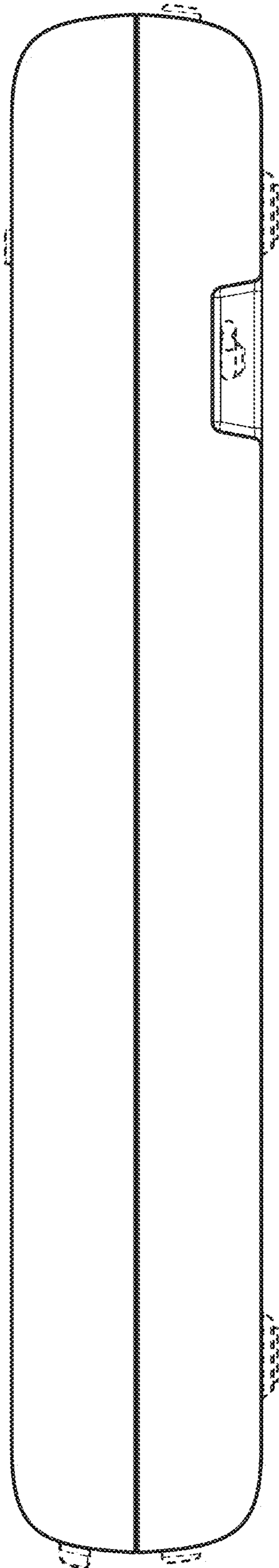


FIG. 3

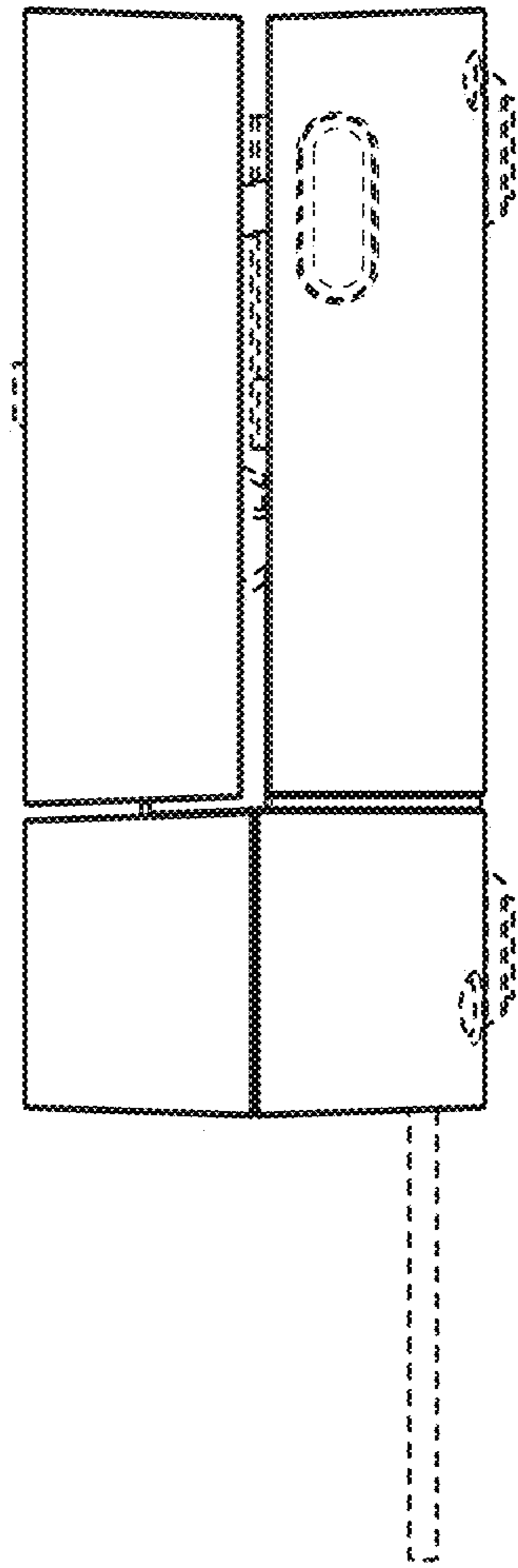


FIG. 4

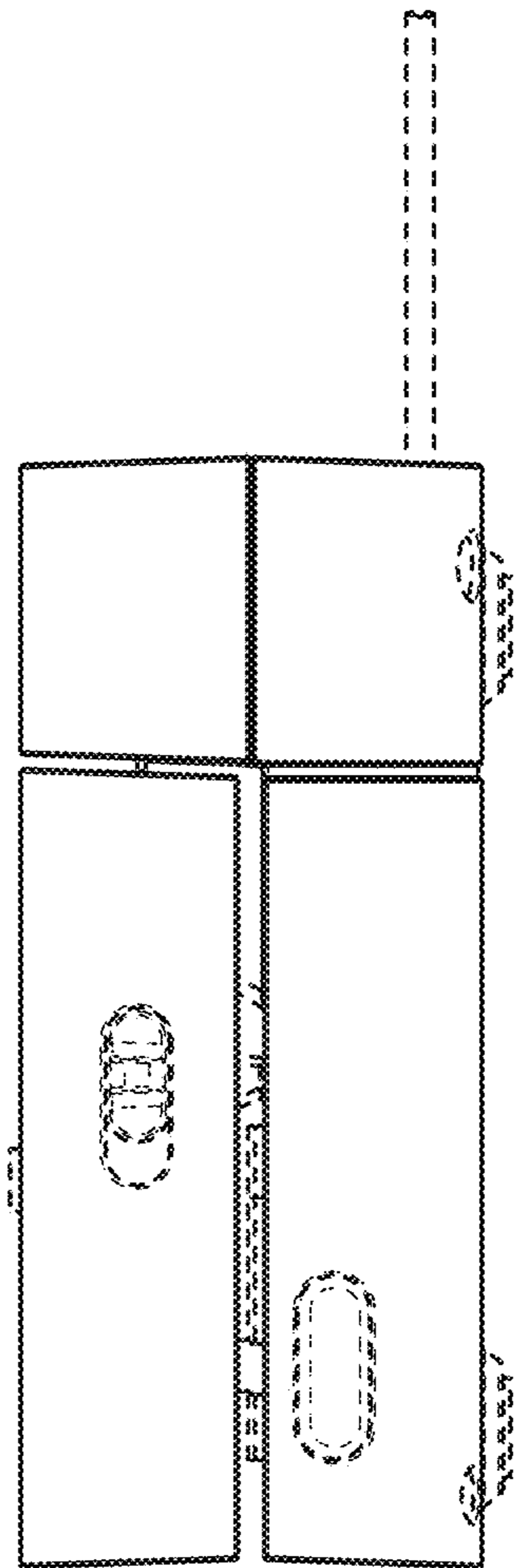


FIG. 5

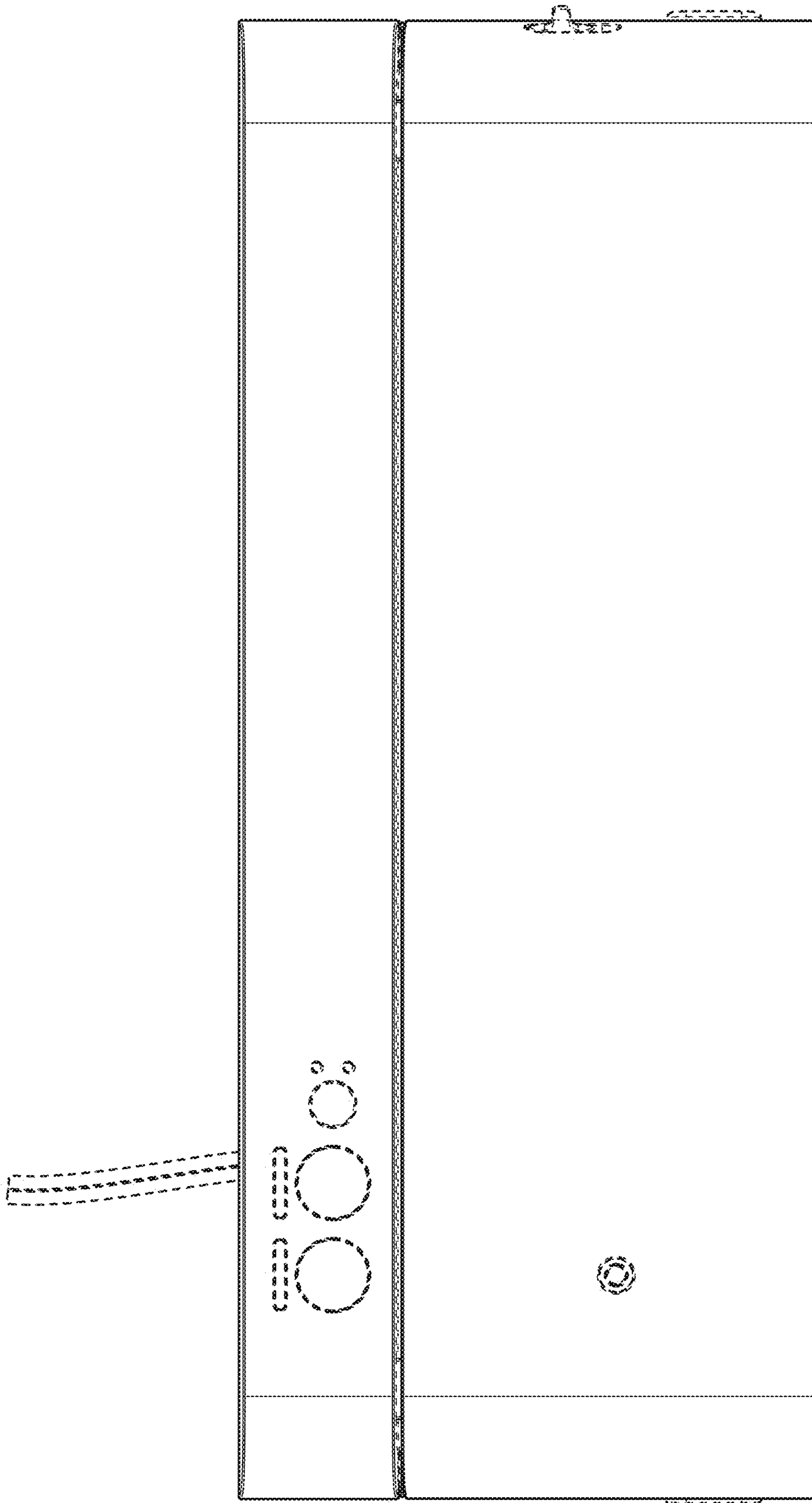


FIG. 6

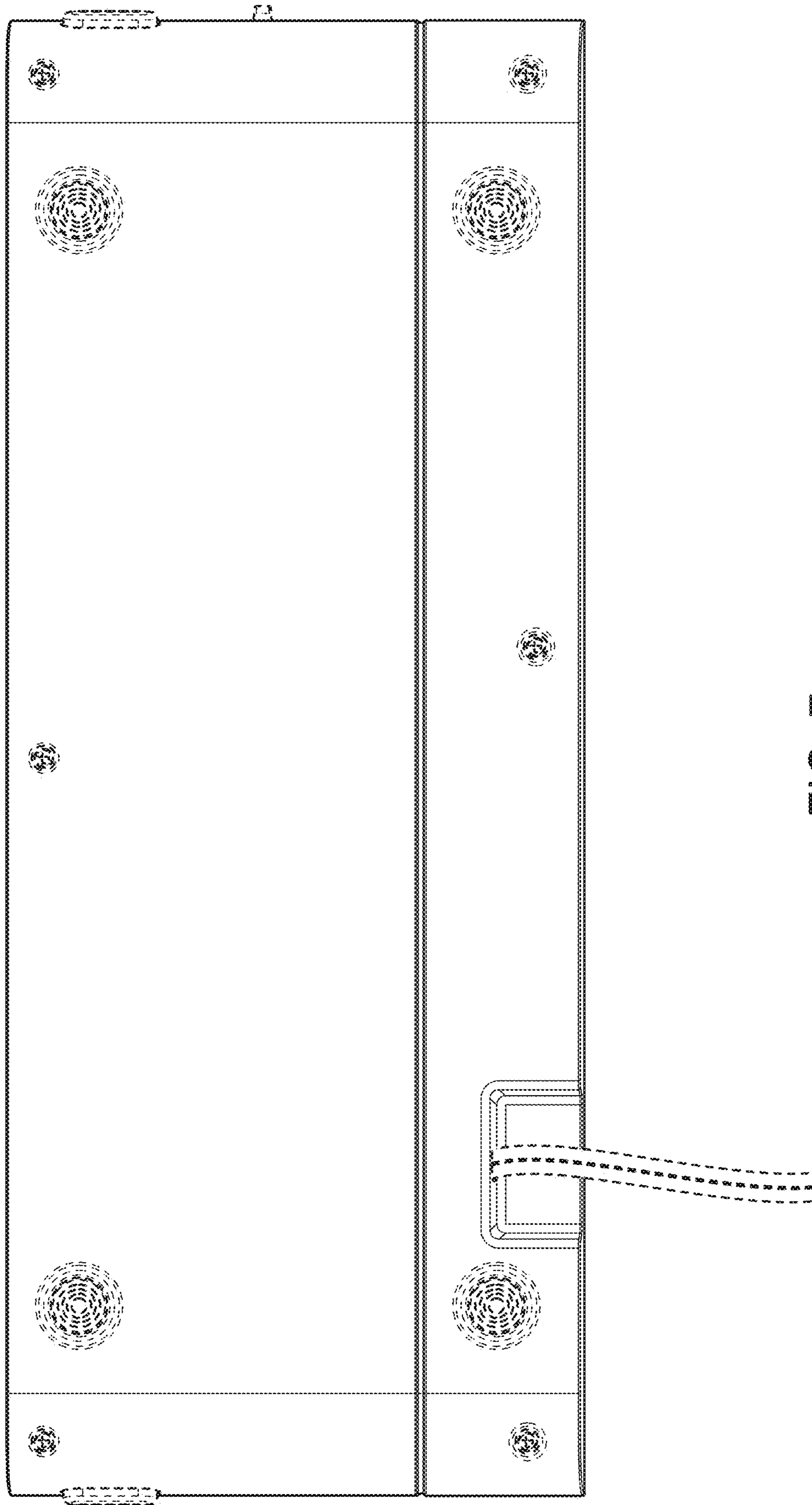


FIG. 7

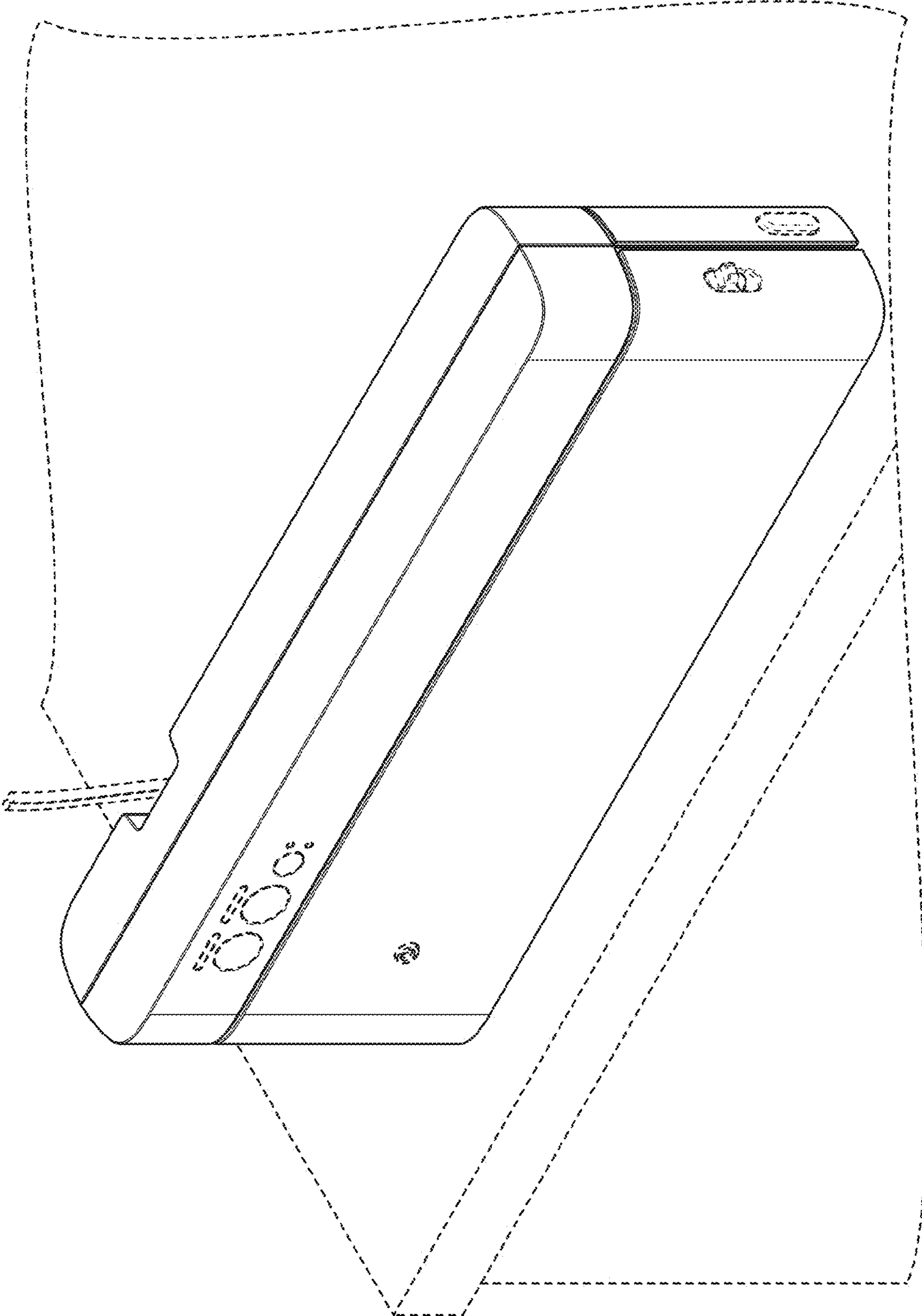


FIG. 8