



US00D922461S

(12) **United States Design Patent**
Singh et al.

(10) **Patent No.:** **US D922,461 S**
(45) **Date of Patent:** **** Jun. 15, 2021**

(54) **BLISTER MACHINE**
(71) Applicant: **ACG Pam Pharma Technologies Pvt. Ltd.**, Maharashtra (IN)
(72) Inventors: **Karan Singh**, Mumbai (IN); **Siddhant Bhambhani**, Mumbai (IN)
(73) Assignee: **ACG PAM PHARMA TECHNOLOGIES PVT. LTD.**, Maharashtra (IN)
(**) Term: **15 Years**
(21) Appl. No.: **29/721,462**

D613,319 S * 4/2010 Okamoto D15/145
D614,211 S * 4/2010 De Vries D15/122
D622,746 S * 8/2010 Daniels D15/145
D626,981 S * 11/2010 Okamoto D15/145
D638,449 S * 5/2011 Schindler D15/122
D643,865 S * 8/2011 Okamoto D15/145
D671,972 S * 12/2012 Okamoto D15/145
D686,261 S * 7/2013 Sunter D15/145
D691,903 S * 10/2013 Tong D10/46
D730,959 S * 6/2015 Kirkland D15/122
D741,386 S * 10/2015 Schreiber D15/145
D759,736 S * 6/2016 Huang D15/122
D759,738 S * 6/2016 Schonherr D15/122
D790,610 S * 6/2017 Schindler D15/122
D799,569 S * 10/2017 Cesar D15/122
D816,129 S * 4/2018 Albrecht D15/122

(Continued)

(22) Filed: **Jan. 21, 2020**
(30) **Foreign Application Priority Data**
Jul. 23, 2019 (IN) 319887-001
(51) **LOC (13) Cl.** **15-99**
(52) **U.S. Cl.**
USPC **D15/145**
(58) **Field of Classification Search**
USPC D9/50, 54; D15/122, 127, 135, 138, 145,
D15/199; D18/50, 54
CPC B29C 66/849; B65B 11/50; B65B 51/02;
B65D 73/0085
See application file for complete search history.

OTHER PUBLICATIONS

<http://www.blister-packingmachine.com/sale-9523977-gmp-pharmaceutical-machine-high-sealing-blister-packaging-equipment-three-layers.html>-NPL 2015-2021 (Year: 2021).*

Primary Examiner — Patricia A Palasik
(74) *Attorney, Agent, or Firm* — Belles Katz LLC

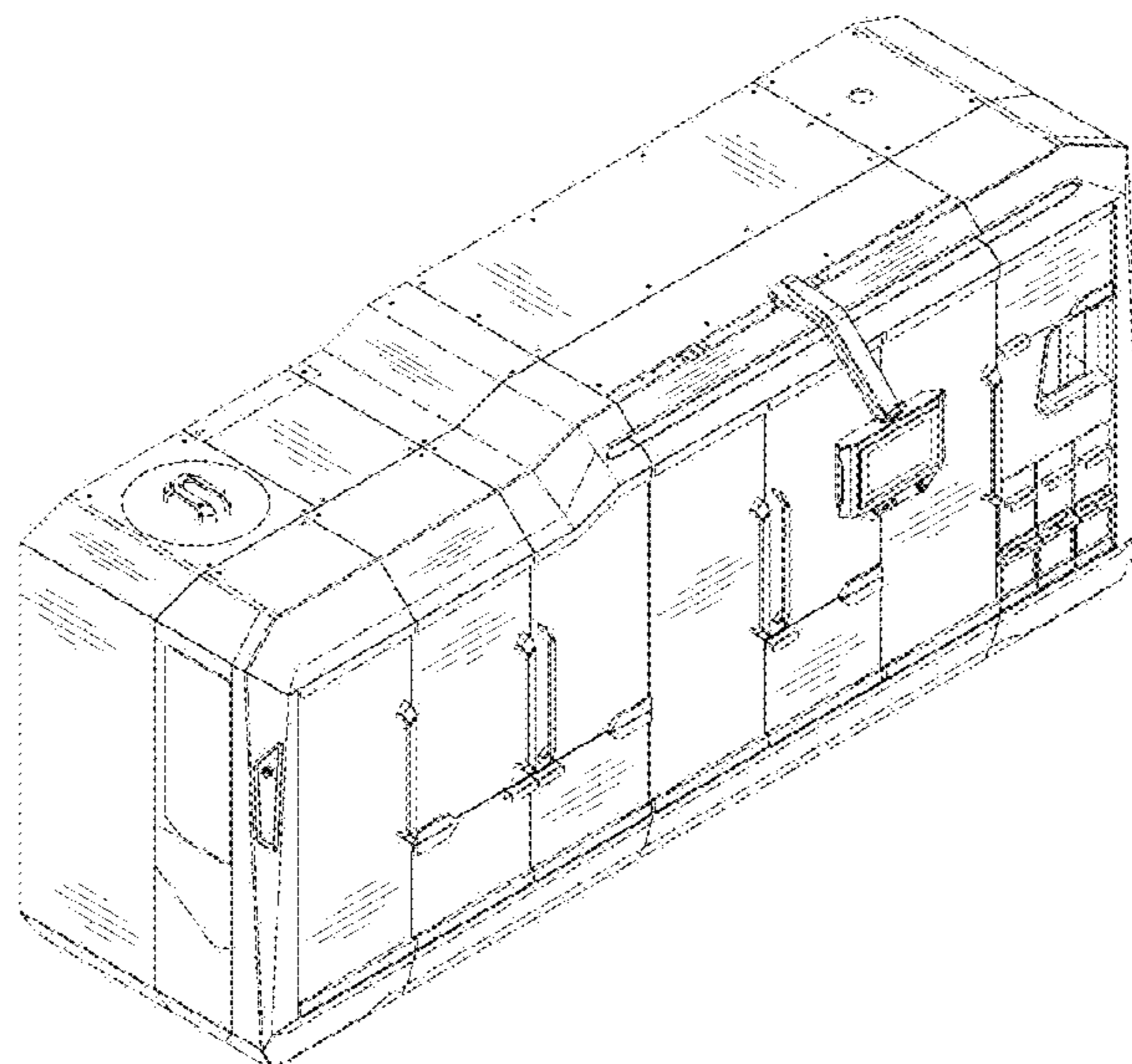
(56) **References Cited**
U.S. PATENT DOCUMENTS
D241,160 S * 8/1976 Gurian D15/122
D266,520 S * 10/1982 Engel D15/122
D301,890 S * 6/1989 Silbersky D15/145
D303,805 S * 10/1989 Sheehan D15/130
D332,105 S * 12/1992 Perry D10/97
D424,584 S * 5/2000 Kawahara D15/122
D489,077 S * 4/2004 Bloch D15/122
D545,854 S * 7/2007 Sato D15/145
D567,273 S * 4/2008 Okamoto D15/145

(57) **CLAIM**
The ornamental design for a blister machine, as shown and described.

DESCRIPTION

FIG. 1 is a left front perspective view of a blister machine according to a first embodiment of the new design; FIG. 2 is a right front perspective view thereof; FIG. 3 is front view thereof; FIG. 4 is a rear view thereof; FIG. 5 is a right side view thereof; FIG. 6 is a left side view thereof; FIG. 7 is a top view thereof; and, FIG. 8 is bottom view thereof.

1 Claim, 8 Drawing Sheets



(56)

References Cited

U.S. PATENT DOCUMENTS

D858,590 S	*	9/2019	Kazaoka	D15/122
D860,271 S	*	9/2019	Hou	D15/122
D873,876 S	*	1/2020	Bellante	D15/145
D884,754 S	*	5/2020	Andre	D15/122
D894,977 S	*	9/2020	Cesar Brito	D15/122
D895,698 S	*	9/2020	Palmer	D15/122
D901,561 S	*	11/2020	Oliver Gonzalez	D15/122
D901,566 S	*	11/2020	Bonpain	D15/145

* cited by examiner

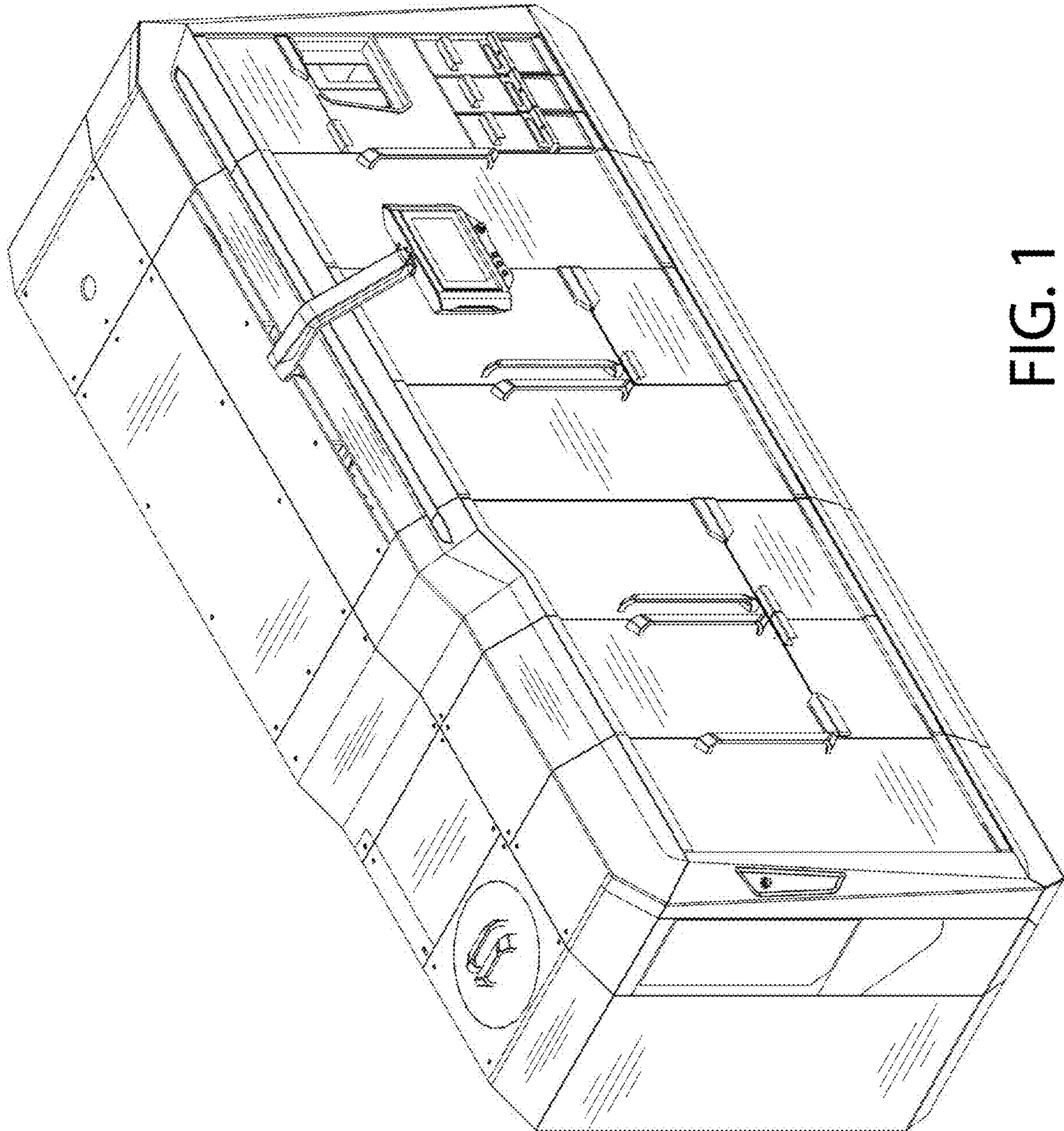


FIG. 1

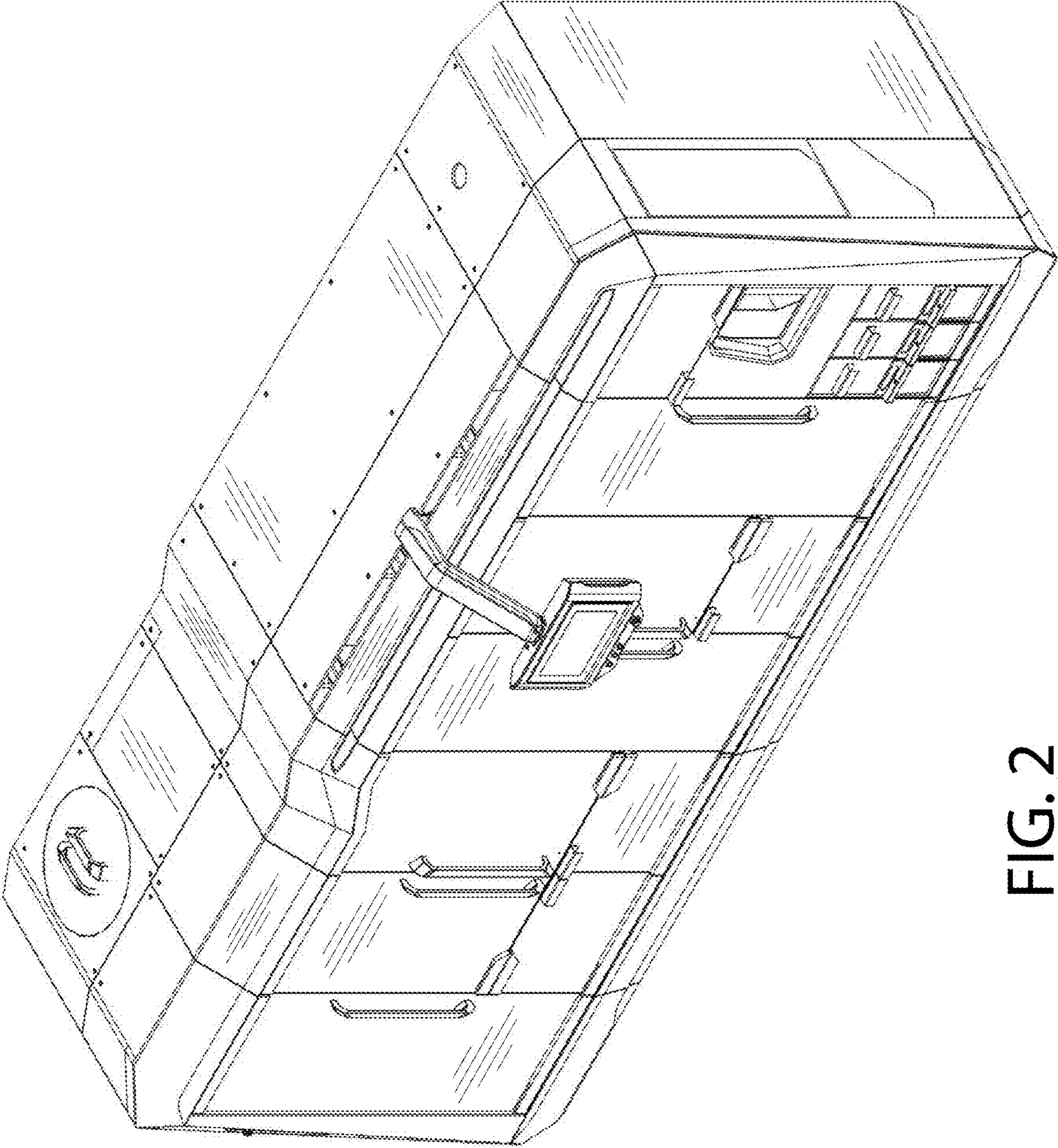


FIG. 2

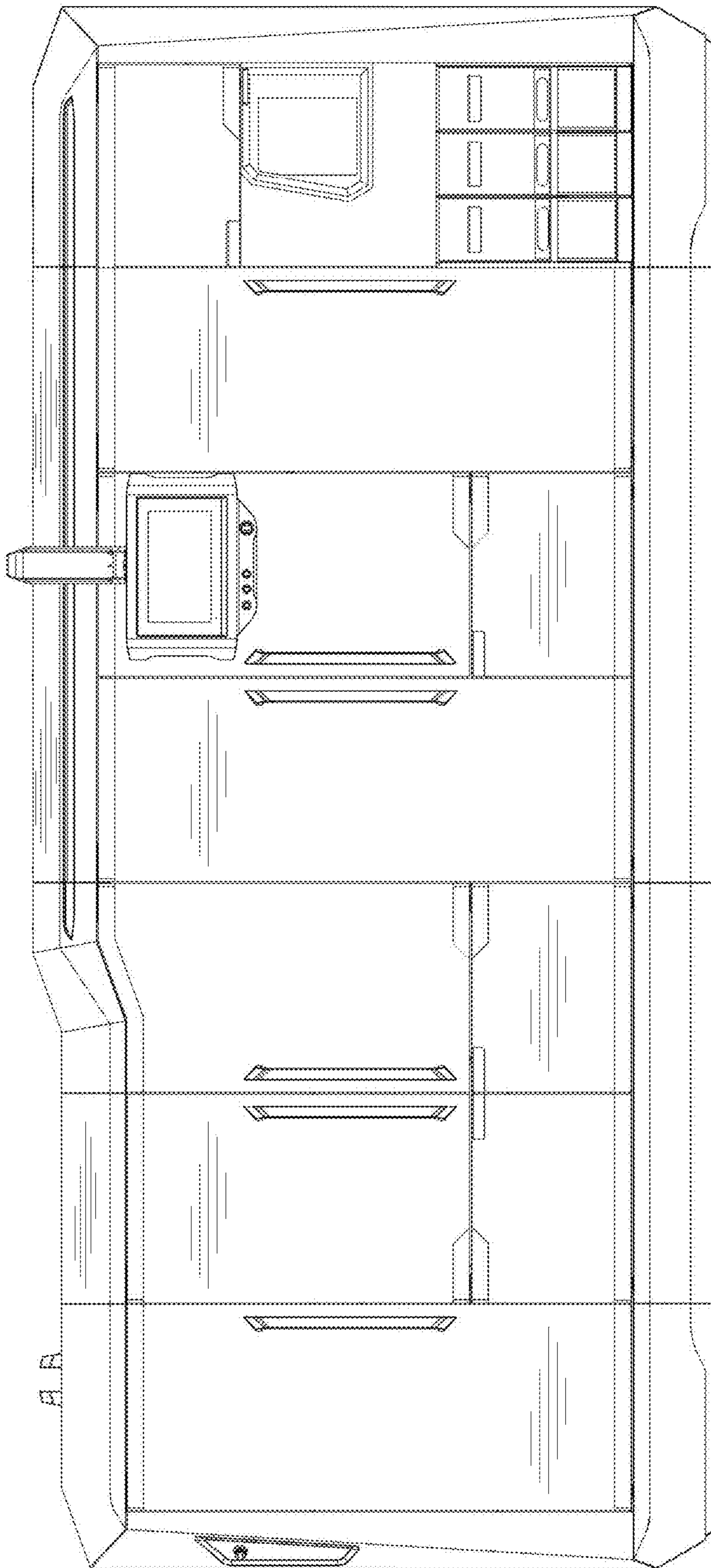


FIG. 3

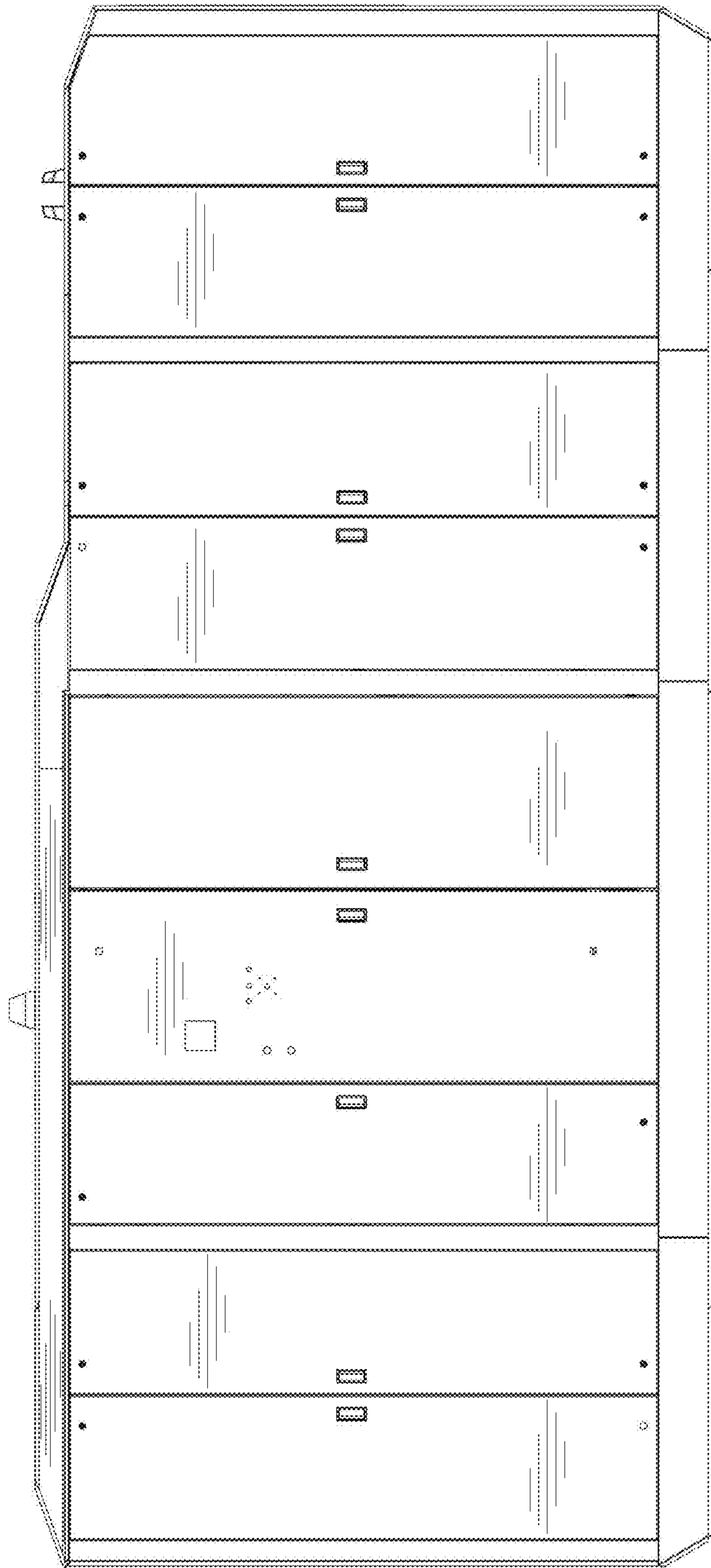


FIG. 4

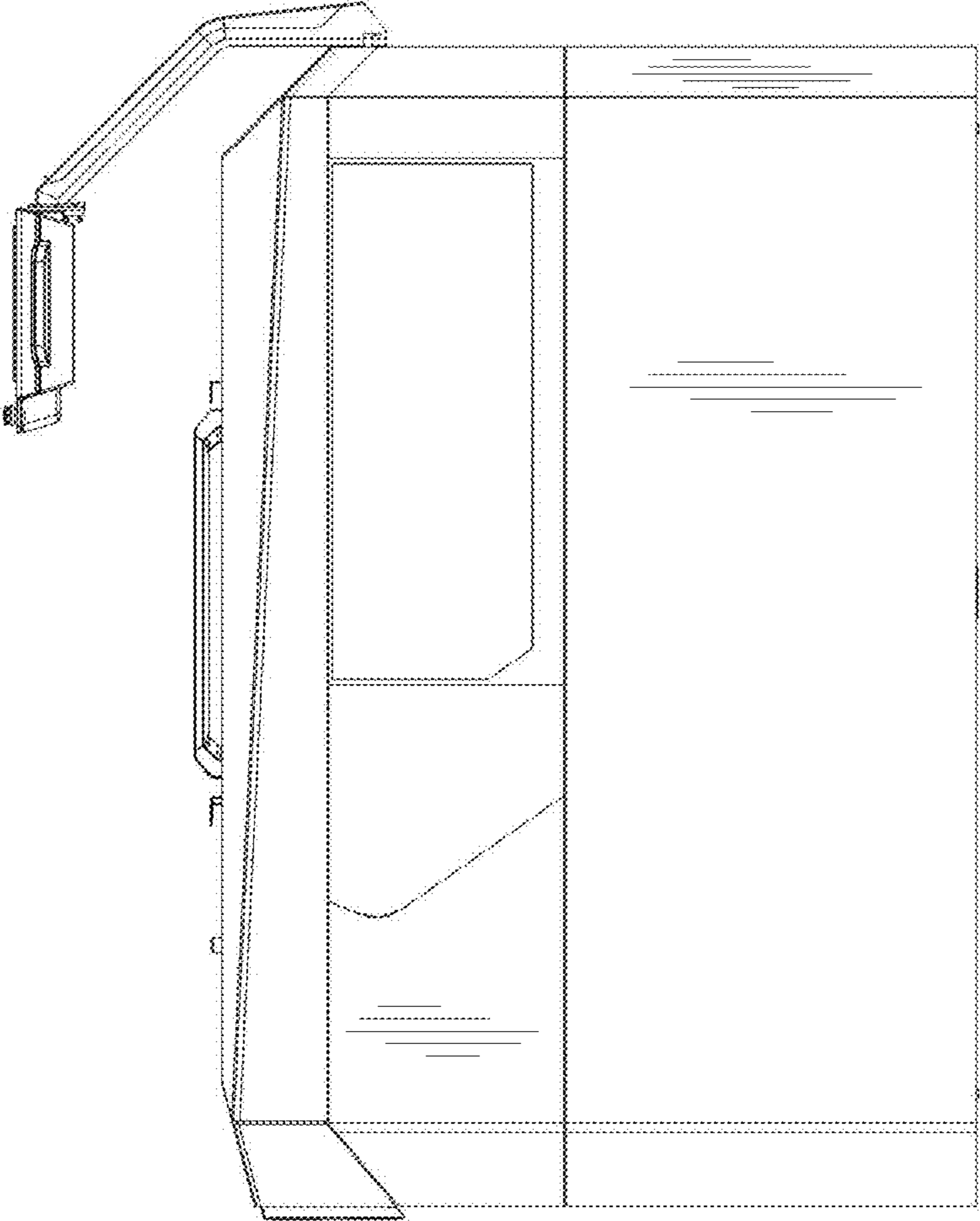


FIG. 5



FIG. 6

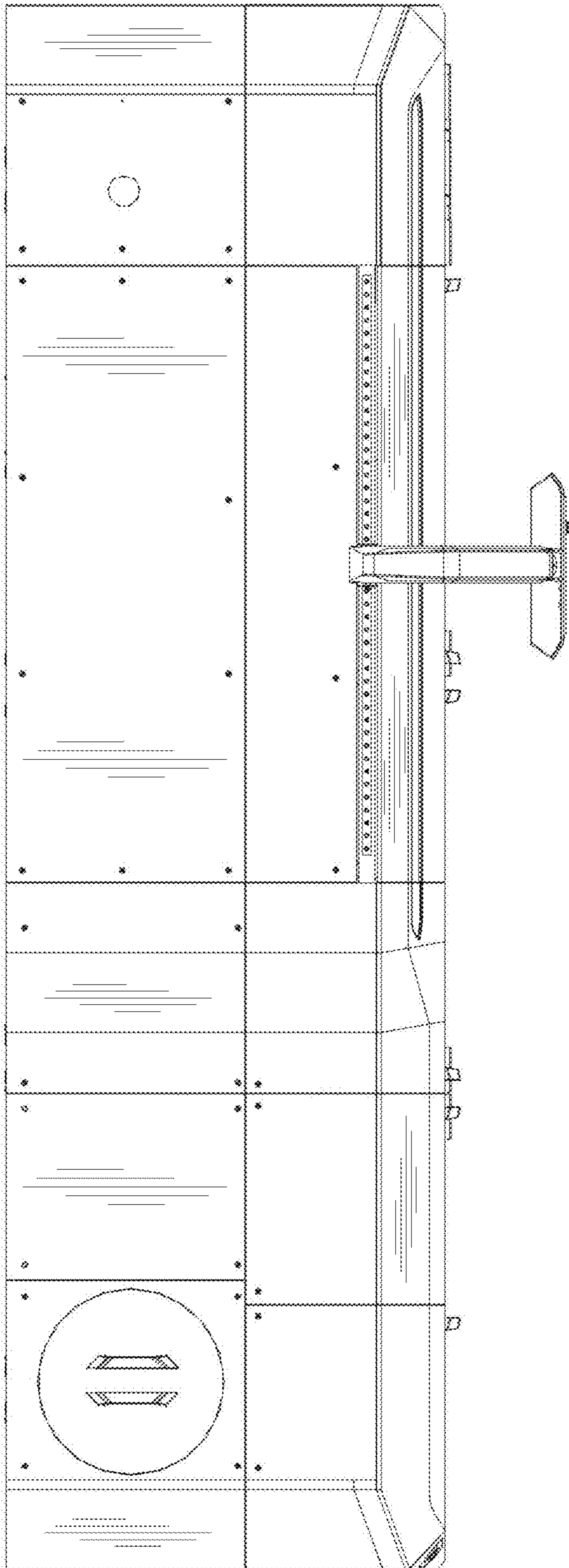


FIG. 7

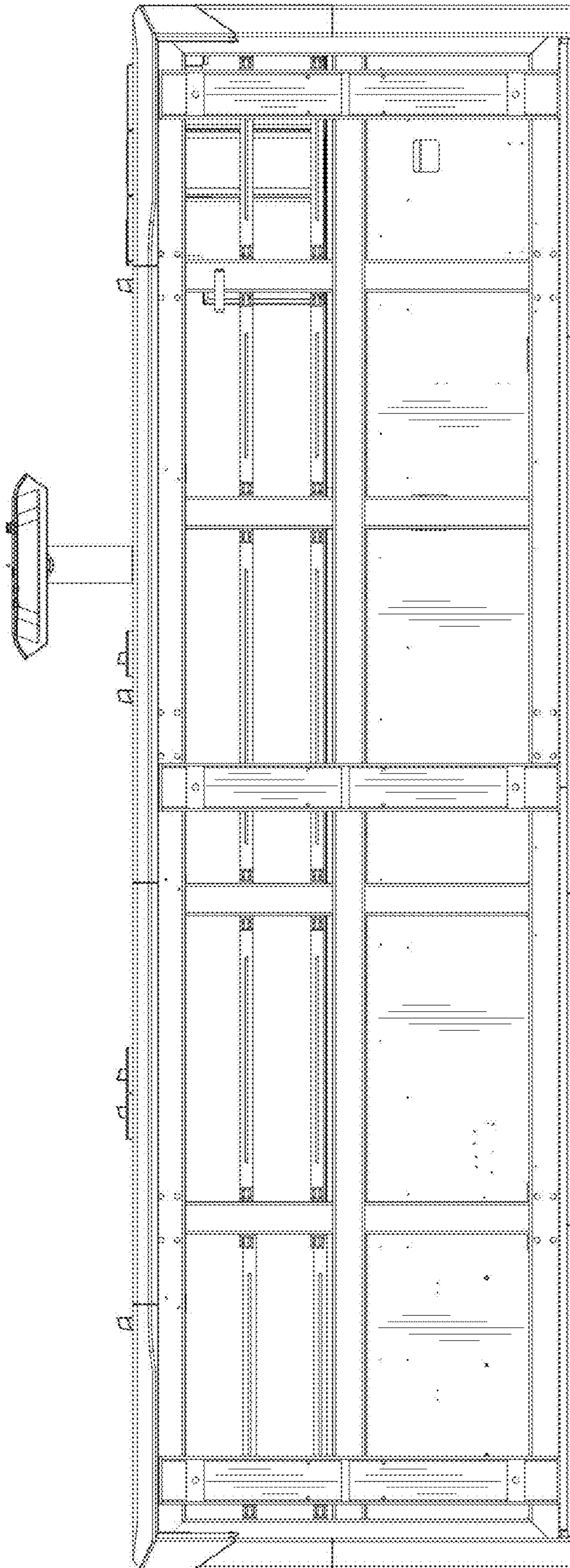


FIG. 8