

US00D922460S

(12) **United States Design Patent**  
**Park et al.**

(10) **Patent No.:** **US D922,460 S**

(45) **Date of Patent:** **\*\* Jun. 15, 2021**

(54) **CUTTING INSERT**

(71) Applicant: **TaeguTec Ltd.**, Daegu (KR)

(72) Inventors: **Chang Gyu Park**, Daegu (KR); **Su Jin Ryu**, Daegu (KR)

(73) Assignee: **TAEGUTECH LTD.**, Daegu (KR)

(\*\*) Term: **15 Years**

(21) Appl. No.: **29/695,488**

(22) Filed: **Jun. 19, 2019**

(30) **Foreign Application Priority Data**

May 10, 2019 (KR) ..... 30-2019-0022031

(51) **LOC (13) Cl.** ..... **15-09**

(52) **U.S. Cl.**  
USPC ..... **D15/139**

(58) **Field of Classification Search**  
USPC ..... D8/20, 70, 71; D15/122, 126, 131, 138,  
D15/139, 140

CPC ..... B23C 5/109; B23C 5/20; B23C 5/207;  
B23C 2200/128; Y10T 407/1924; Y10T  
407/1962; Y10T 407/23

See application file for complete search history.

(56) **References Cited**

**U.S. PATENT DOCUMENTS**

- 5,145,295 A \* 9/1992 Satran ..... B23C 5/2213  
407/113
- 5,207,538 A \* 5/1993 Satran ..... B23C 5/2213  
407/113
- D714,849 S \* 10/2014 Choi ..... D15/139
- D715,840 S \* 10/2014 Park ..... D15/139
- D718,357 S \* 11/2014 Park ..... D15/139
- D736,841 S \* 8/2015 Jung ..... D15/139
- D738,412 S \* 9/2015 Choi ..... D15/139
- D752,664 S \* 3/2016 Jung ..... D15/139

- D755,267 S \* 5/2016 Lee ..... D15/139
- D777,230 S \* 1/2017 Fang ..... D15/139
- D778,330 S \* 2/2017 Fang ..... D15/139
- D786,325 S \* 5/2017 Jeong ..... D15/139
- D786,326 S \* 5/2017 Jeong ..... D15/139
- D786,952 S \* 5/2017 Jeong ..... D15/139
- 9,682,433 B2 \* 6/2017 Choi ..... B23C 5/06
- D794,103 S \* 8/2017 Jeong ..... D15/139
- D805,564 S \* 12/2017 Lee ..... D15/139
- D805,566 S \* 12/2017 Oh ..... D15/139
- D838,755 S \* 1/2019 Takahashi ..... D15/139
- D845,360 S \* 4/2019 Kobayashi ..... D15/139
- D845,361 S \* 4/2019 Komiyama ..... D15/139
- D847,883 S \* 5/2019 Kobayashi ..... D15/139

(Continued)

*Primary Examiner* — Michael C Stout

*Assistant Examiner* — Fritzgerald L Butac

(74) *Attorney, Agent, or Firm* — Hamre, Schumann,  
Mueller & Larson, P.C.

(57) **CLAIM**

The ornamental design for a cutting insert, as shown and described.

**DESCRIPTION**

FIG. 1 is a perspective view a cutting insert showing our new design;

FIG. 2 is a front elevational view thereof;

FIG. 3 is a rear elevational view thereof;

FIG. 4 is left side view thereof;

FIG. 5 is a right side view thereof;

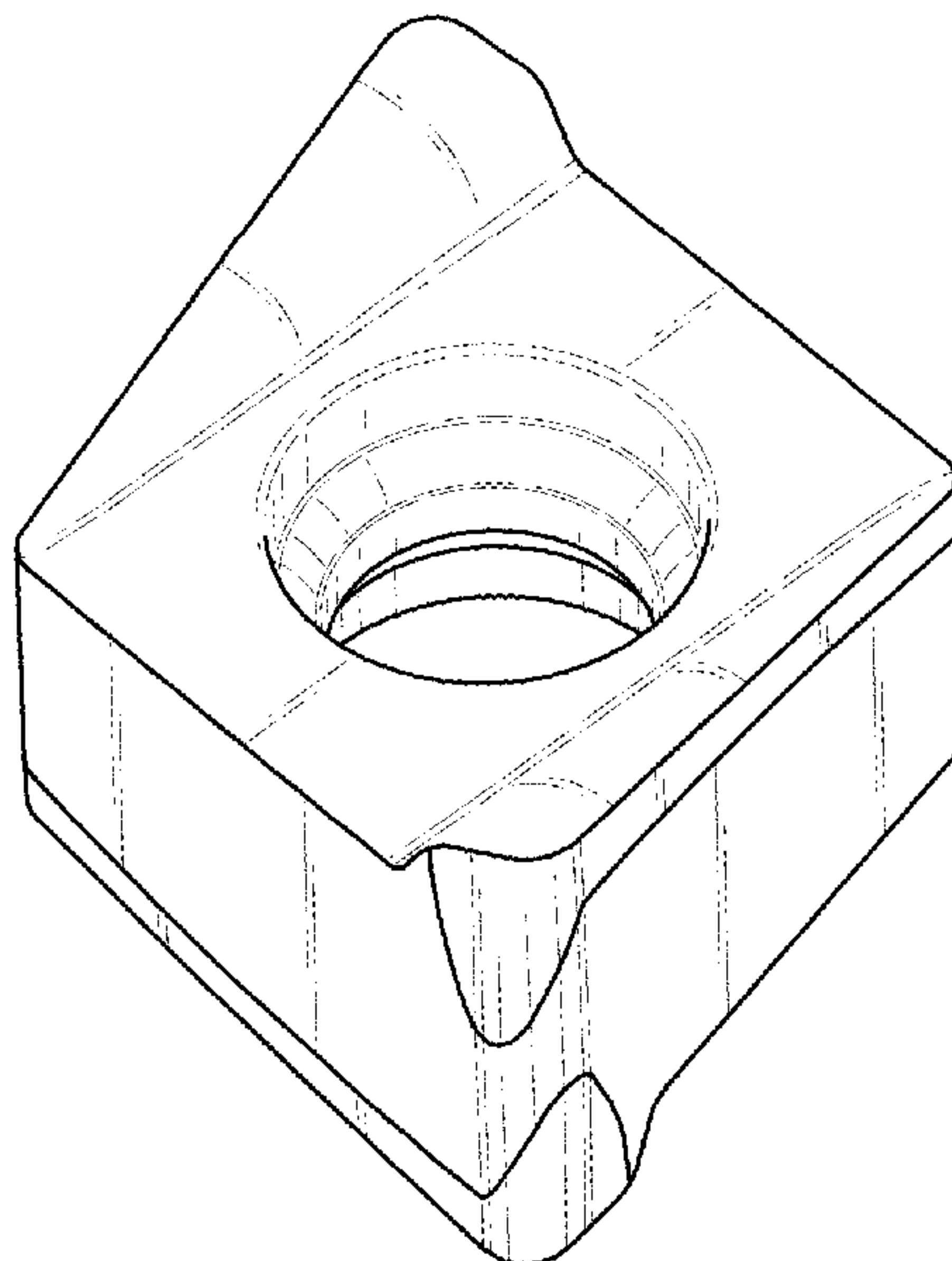
FIG. 6 is a top plan view thereof;

FIG. 7 is a bottom plan view thereof; and,

FIG. 8 is a cross sectional view taken along line 8-8 in FIG. 2.

The broken lines shown in FIG. 8 are provided to show internal material of the cutting insert and form no part of the claimed design. Surface shading lines in the drawings depict the character or contour of the surfaces represented.

**1 Claim, 4 Drawing Sheets**



(56)

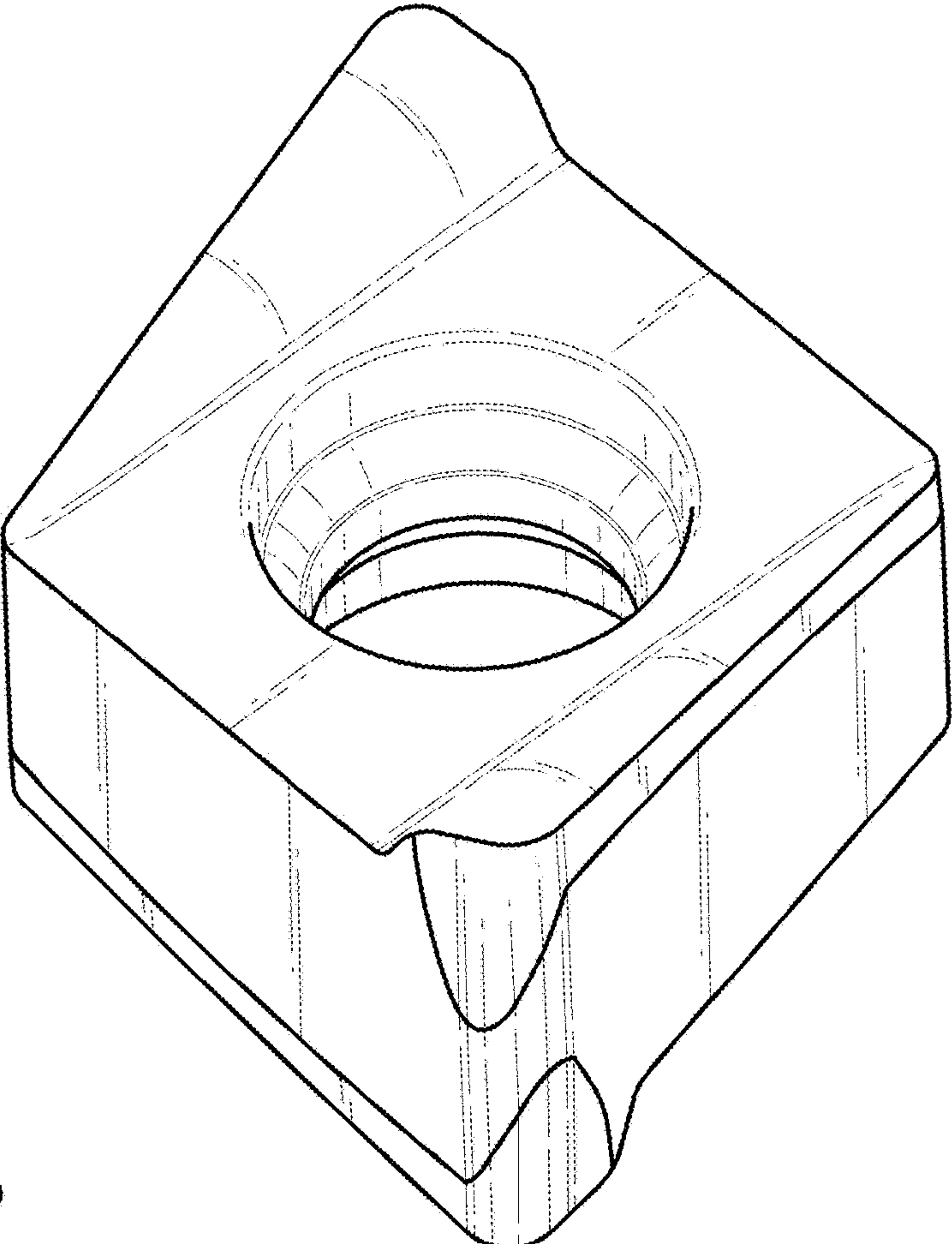
**References Cited**

U.S. PATENT DOCUMENTS

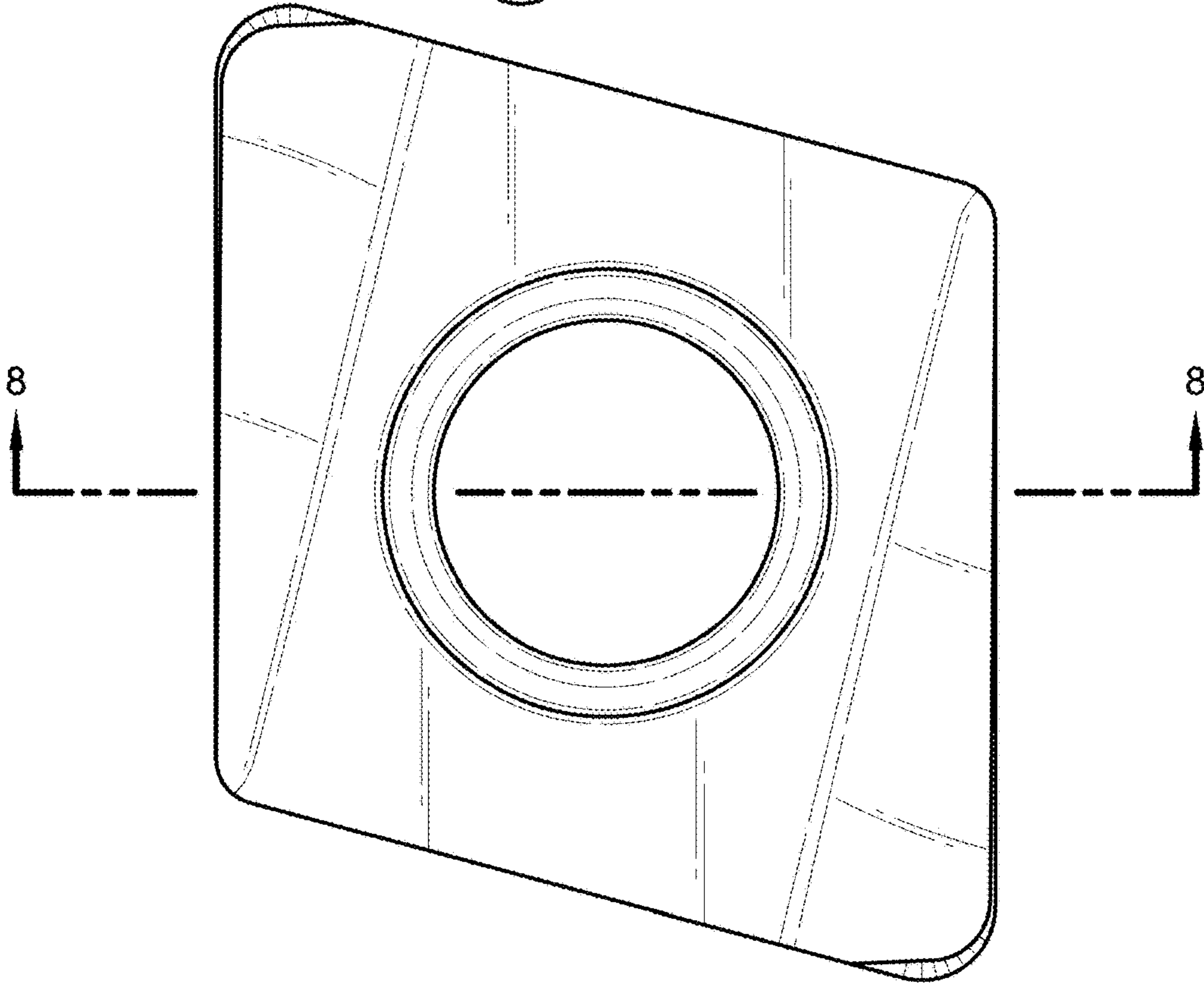
D870,783	S *	12/2019	Son	.....	D15/139
D872,145	S *	1/2020	Maeno	.....	D15/139
2011/0255924	A1 *	10/2011	Choi	.....	B23C 5/202 407/42
2012/0070242	A1 *	3/2012	Choi	.....	B23C 5/109 407/113
2013/0294850	A1 *	11/2013	Park	.....	B23C 5/109 407/47
2014/0341660	A1 *	11/2014	Cheon	.....	B23C 5/109 407/42
2015/0183033	A1 *	7/2015	Park	.....	B23C 5/207 407/103

\* cited by examiner

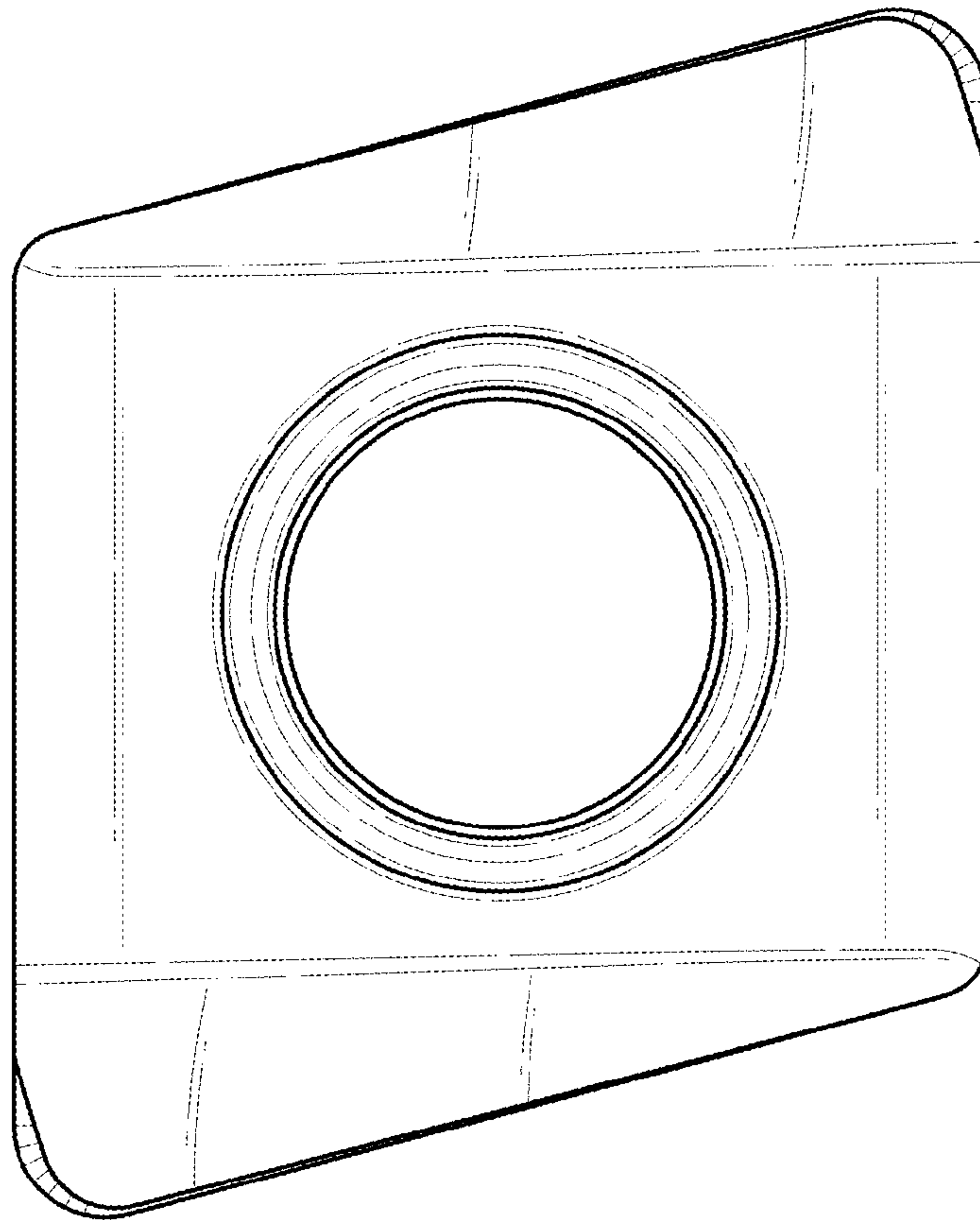
*Fig. 1*



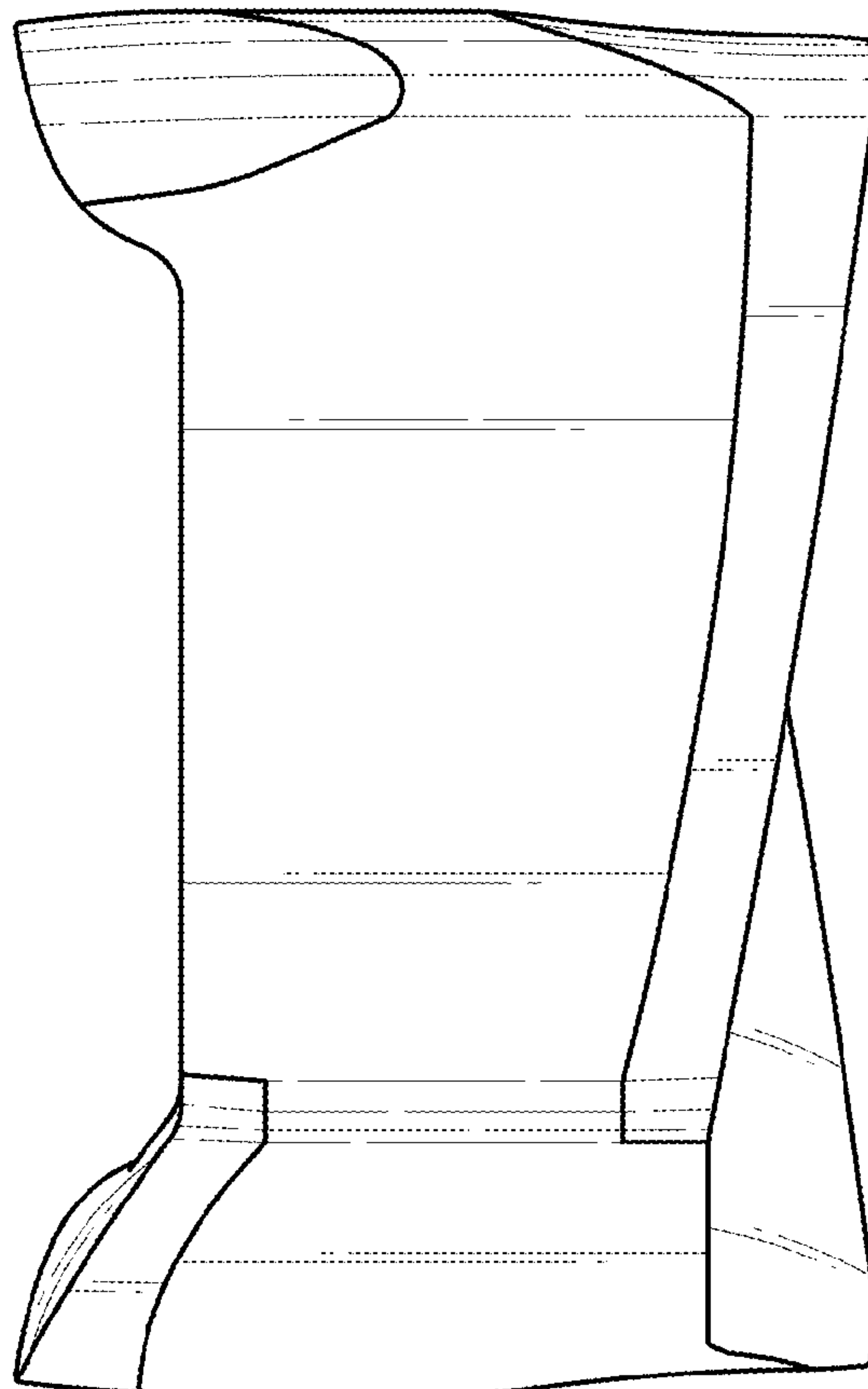
*Fig. 2*



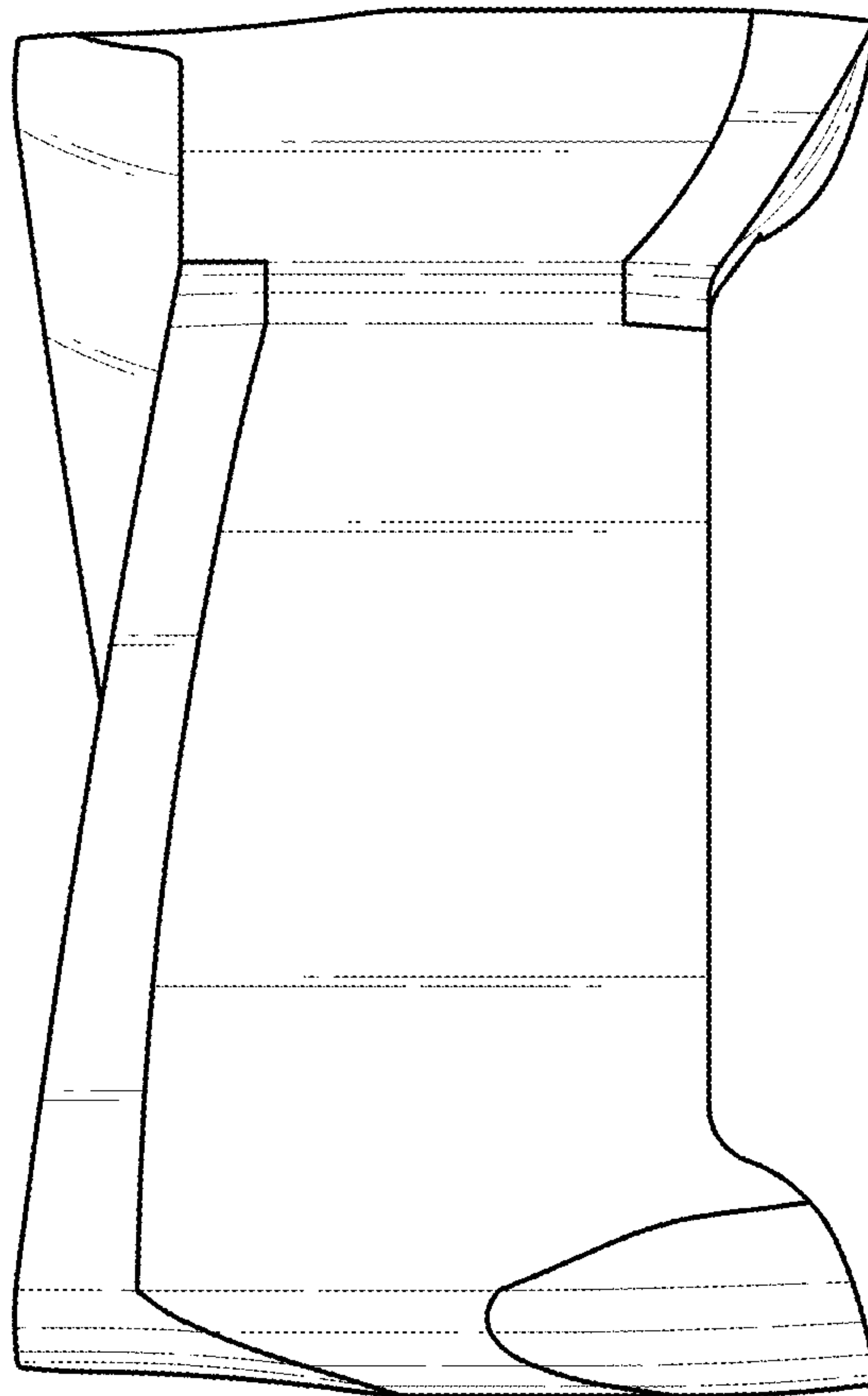
*Fig. 3*



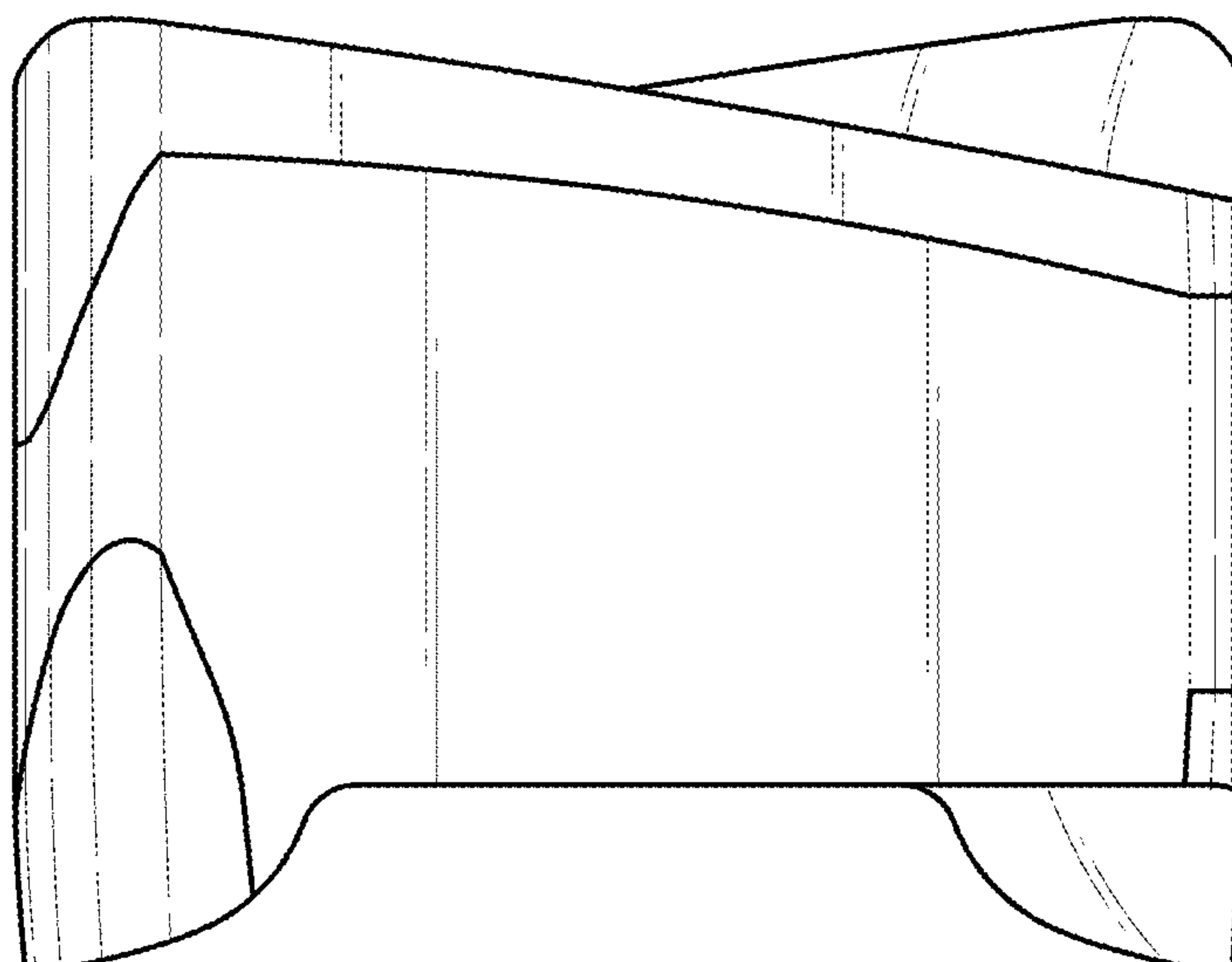
*Fig. 4*



*Fig. 5*

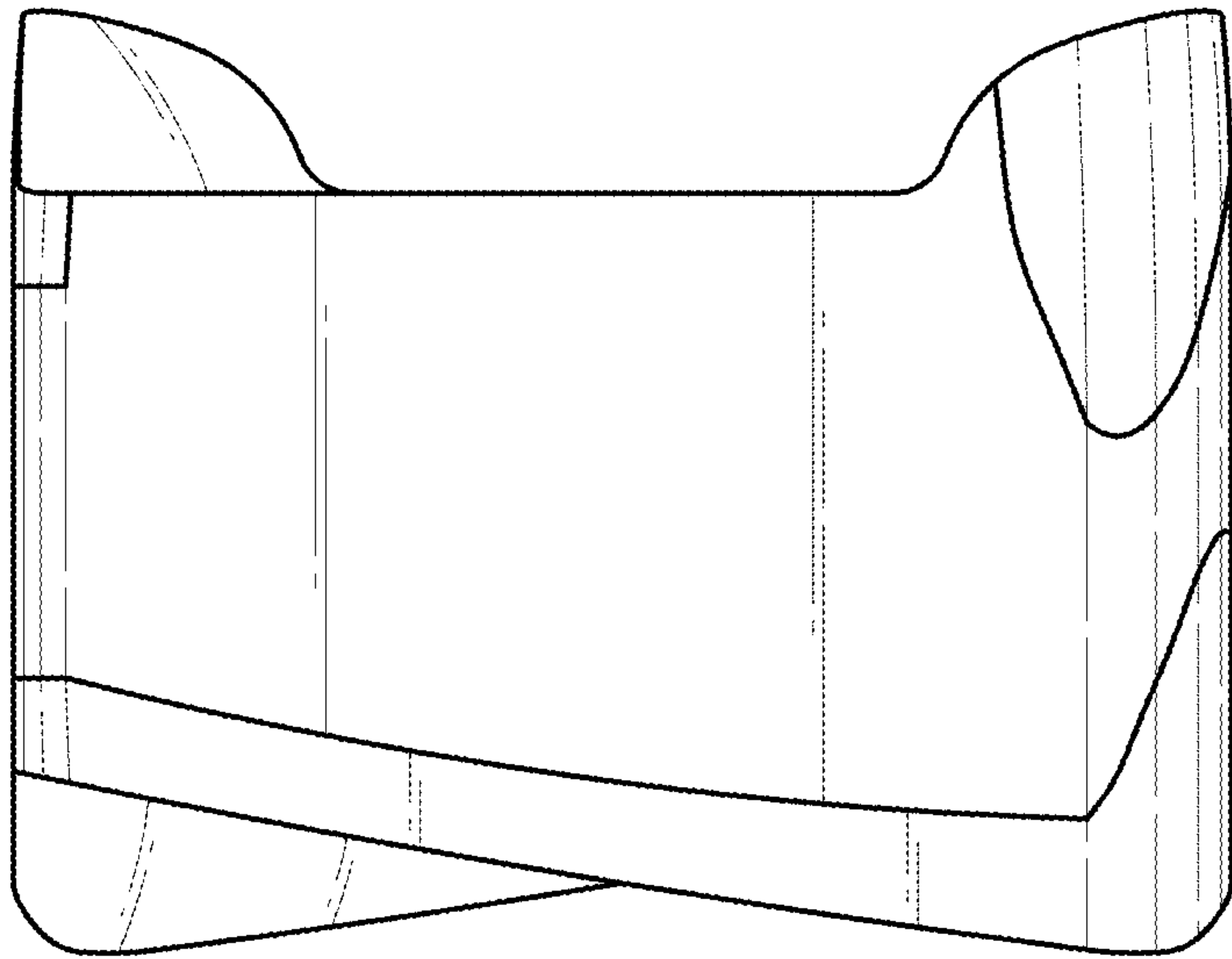


*Fig. 6*





*Fig. 7*



*Fig. 8*

