



US00D922459S

(12) **United States Design Patent** (10) **Patent No.:** **US D922,459 S**
Choi et al. (45) **Date of Patent:** **** Jun. 15, 2021**

(54) **CUTTING INSERT**
(71) Applicant: **TaeguTec Ltd.**, Daegu (KR)
(72) Inventors: **Chang-Hee Choi**, Daegu (KR); **Su-Jin Ryu**, Daegu (KR)
(73) Assignee: **TaeguTec Ltd.**, Daegu (KR)
(**) Term: **15 Years**
(21) Appl. No.: **29/645,330**
(22) Filed: **Apr. 25, 2018**
(51) **LOC (13) Cl.** **15-09**
(52) **U.S. Cl.**
USPC **D15/139**
(58) **Field of Classification Search**
USPC D8/20, 47, 66, 92, 98, 101, 300,
D8/310-312, 352; D15/122, 126, 127,
D15/130, 131, 138, 139, 140, 145
CPC B65B 11/006; B65B 11/025; B65B
2011/002; B65B 2210/14
See application file for complete search history.

D880,547 S * 4/2020 Weinberg D15/139
D884,039 S * 5/2020 Endoh D15/139
D884,040 S * 5/2020 Endoh D15/139
D884,041 S * 5/2020 Endoh D15/139

OTHER PUBLICATIONS

YUFOTOL Carbide Insert Cutter, posted on amazon.com, first available Feb. 11, 2015, no production date available, [online], [site visited Jun. 21, 2020], available on internet, URL: <https://amzn.to/2BWolOK> (Year: 2015).*

* cited by examiner

Primary Examiner — Michael C Stout
Assistant Examiner — Fritzgerald L Butac
(74) *Attorney, Agent, or Firm* — Hamre, Schumann, Mueller & Larson, P.C.

(57) **CLAIM**

The ornamental design for a cutting insert, as shown and described.

DESCRIPTION

FIG. 1 is a perspective view of a cutting insert showing our new design;
FIG. 2 is a top plan view thereof; and,
FIG. 3 is a front elevational view thereof; a right side view being identical to the front elevational view; a left side view being identical to the front elevational view; and a rear elevational view being identical to the front elevational view.
The broken lines illustrate environmental subject matter only and form no part of the claimed design. Surface shading lines form no part of the claimed design.

1 Claim, 2 Drawing Sheets

(56) **References Cited**
U.S. PATENT DOCUMENTS
D539,316 S * 3/2007 Tempel D15/139
D559,286 S * 1/2008 Waggle D15/139
D739,449 S * 9/2015 Lefsrud D15/139
D809,031 S * 1/2018 Burton B28D 1/186
D15/139
D847,884 S * 5/2019 Hayakawa D15/139
D857,067 S * 8/2019 Hayakawa D15/139
D857,068 S * 8/2019 Hayakawa D15/139
D865,823 S * 11/2019 Abe D15/139
D872,143 S * 1/2020 Wiand D15/139
D872,784 S * 1/2020 Inagaki D15/139

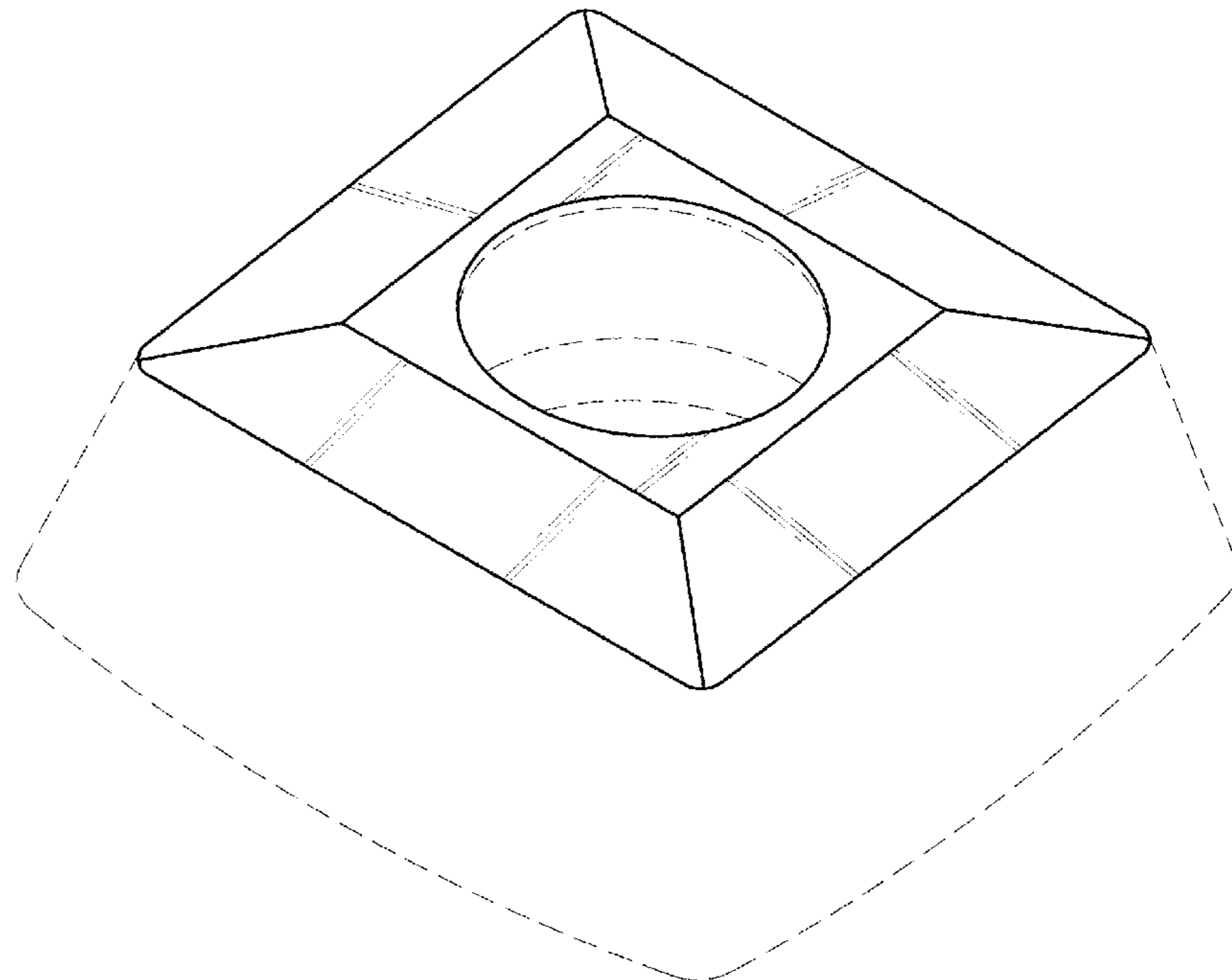


Fig. 1

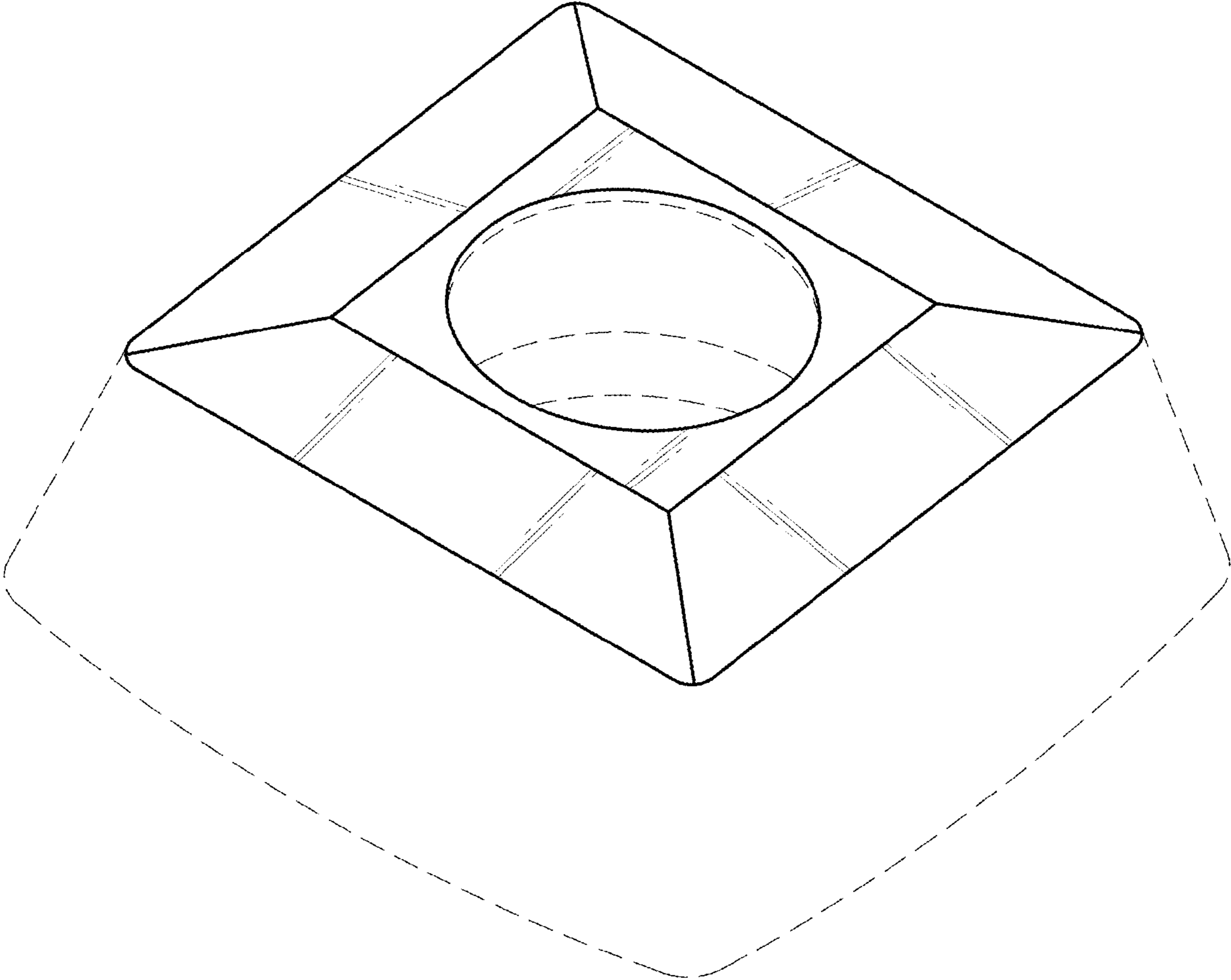


Fig. 2

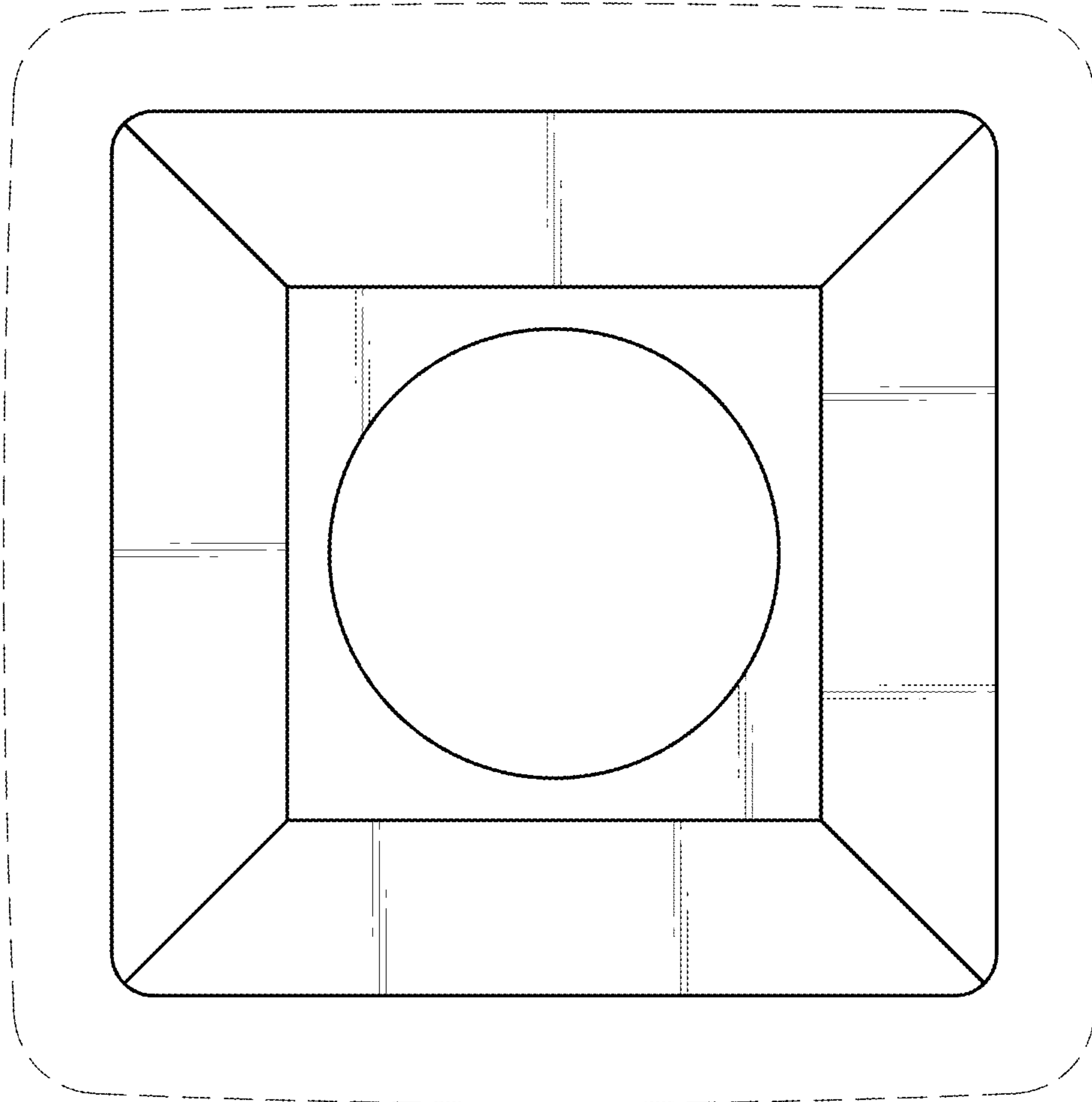


Fig. 3

