



US00D922458S

(12) **United States Design Patent**  
**Steinkogler**

(10) **Patent No.:** **US D922,458 S**

(45) **Date of Patent:** **\*\* Jun. 15, 2021**

(54) **CIRCULAR SAW MACHINE**

(71) Applicant: **Linsinger Maschinenbau Gesellschaft  
m.b.H., Steyrermühl (AT)**

(72) Inventor: **Michael Steinkogler, Ebensee (AT)**

(\*\*) Term: **15 Years**

(21) Appl. No.: **35/508,855**

(22) Filed: **May 17, 2019**

(80) **Hague Agreement Data**

Int. Filing Date: **May 17, 2019**

Int. Reg. No.: **DM/206481**

Int. Reg. Date: **May 17, 2019**

Int. Reg. Pub. Date: **Mar. 20, 2020**

(51) **LOC (13) Cl.** ..... **15-09**

(52) **U.S. Cl.**  
USPC ..... **D15/133; D15/122**

(58) **Field of Classification Search**  
USPC ..... **D15/122, 127, 133, 134, 141**  
CPC ..... **B27B 7/00; B27B 7/02; B27B 7/04**  
See application file for complete search history.

(56) **References Cited**

**U.S. PATENT DOCUMENTS**

D292,931 S \* 11/1987 Taguchi ..... D15/134  
D331,066 S \* 11/1992 Englert ..... D15/122

D523,037 S \* 6/2006 Kaser ..... D15/133  
D608,799 S \* 1/2010 Tokiwa ..... D15/134  
D649,174 S \* 11/2011 Schindler ..... D15/127  
D649,567 S \* 11/2011 Schindler ..... D15/127  
D673,192 S \* 12/2012 Gramlich ..... D15/127  
D693,380 S \* 11/2013 Mueller ..... D15/122  
D781,359 S \* 3/2017 Krebber ..... D15/133  
D841,062 S \* 2/2019 Kordus ..... D15/133  
D906,380 S \* 12/2020 Murray ..... D15/122

\* cited by examiner

*Primary Examiner* — Deanna L Pratt

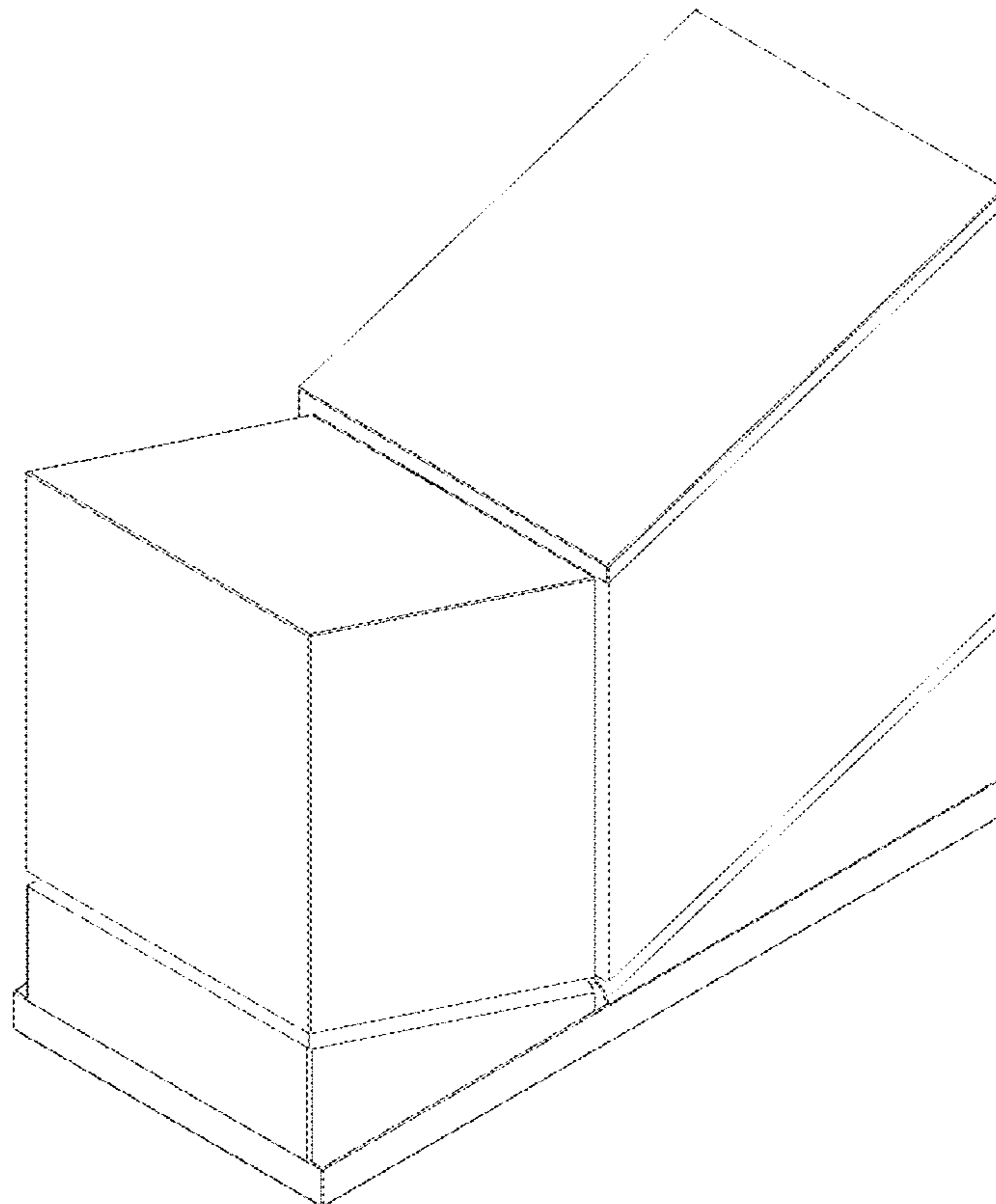
(57) **CLAIM**

The ornamental design for a circular saw machine, as shown and described.

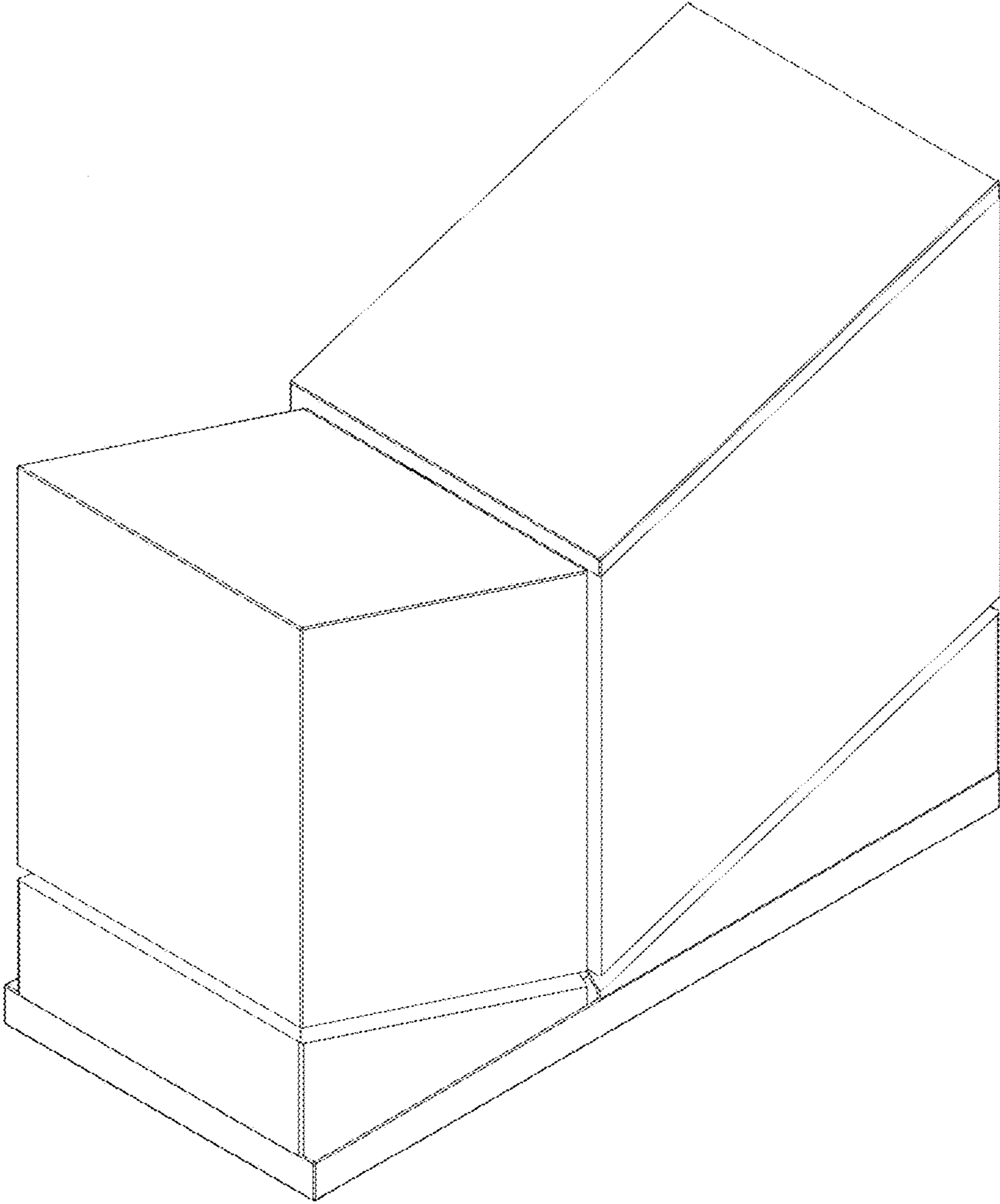
**DESCRIPTION**

- 1. Circular saw machine
- 1.1 : Perspective
- 1.2 : Right
- 1.3 : Front
- 1.4 : Left
- 1.5 : Top
- 1.6 : Back

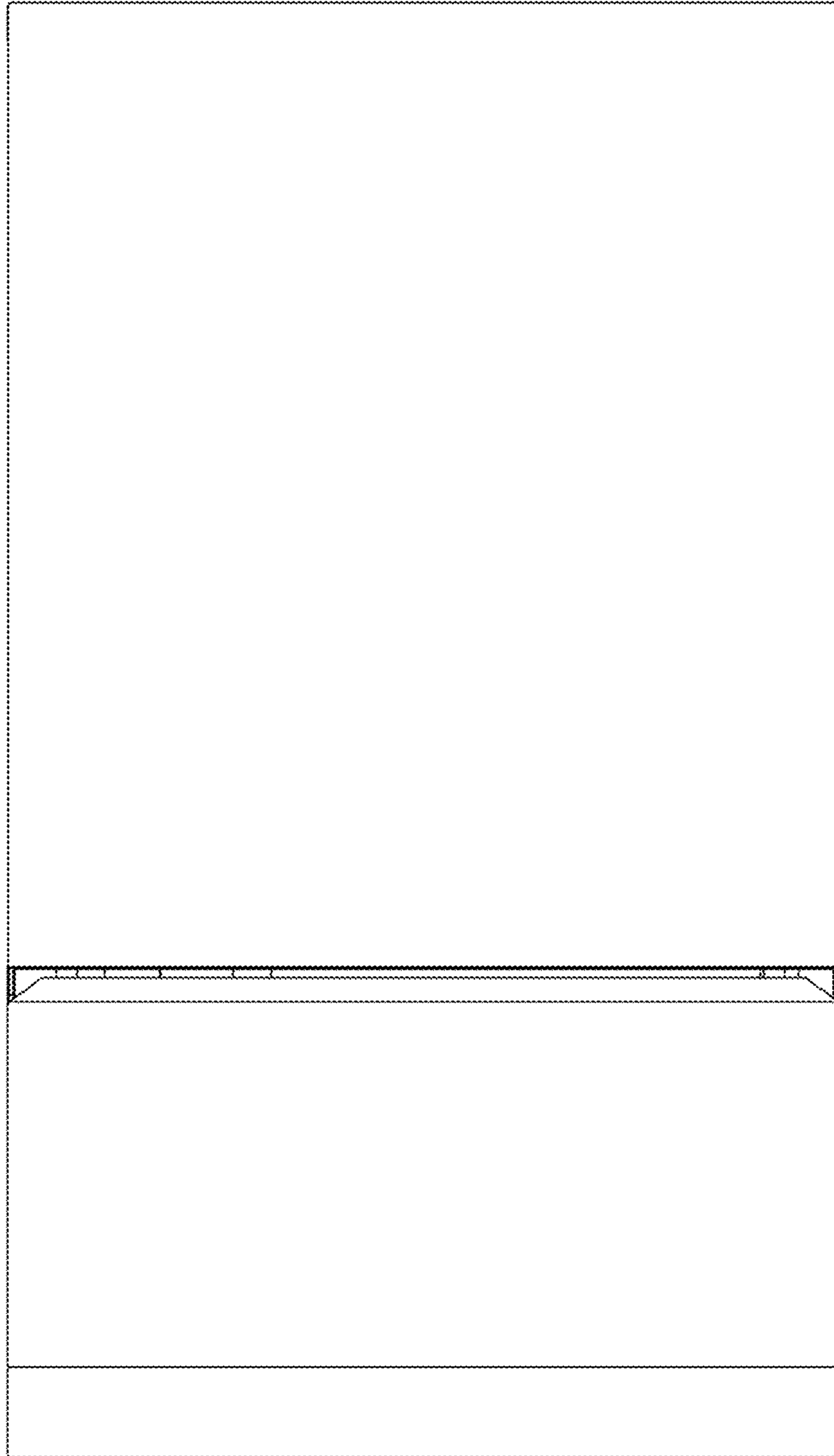
**1 Claim, 6 Drawing Sheets**



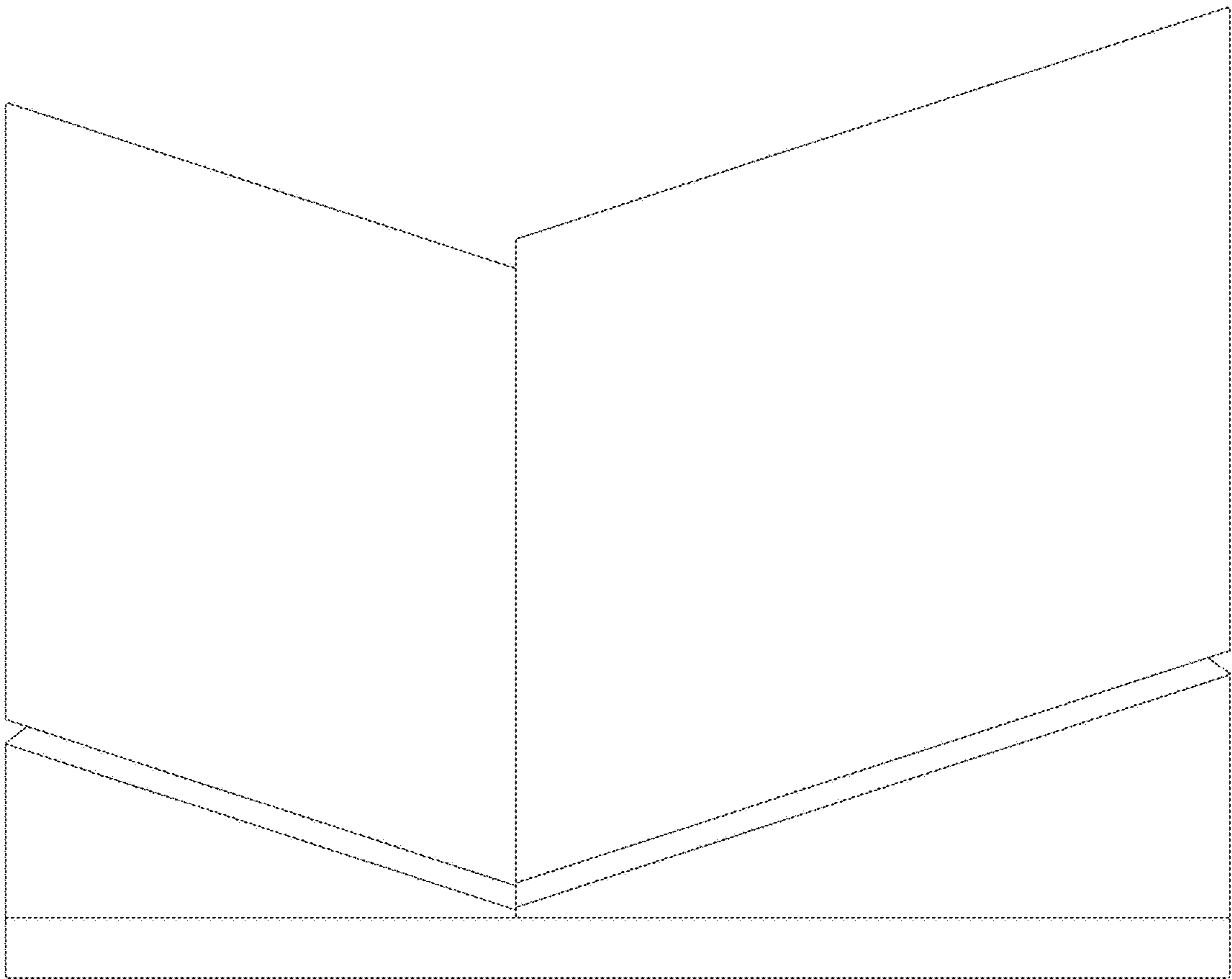
1.1



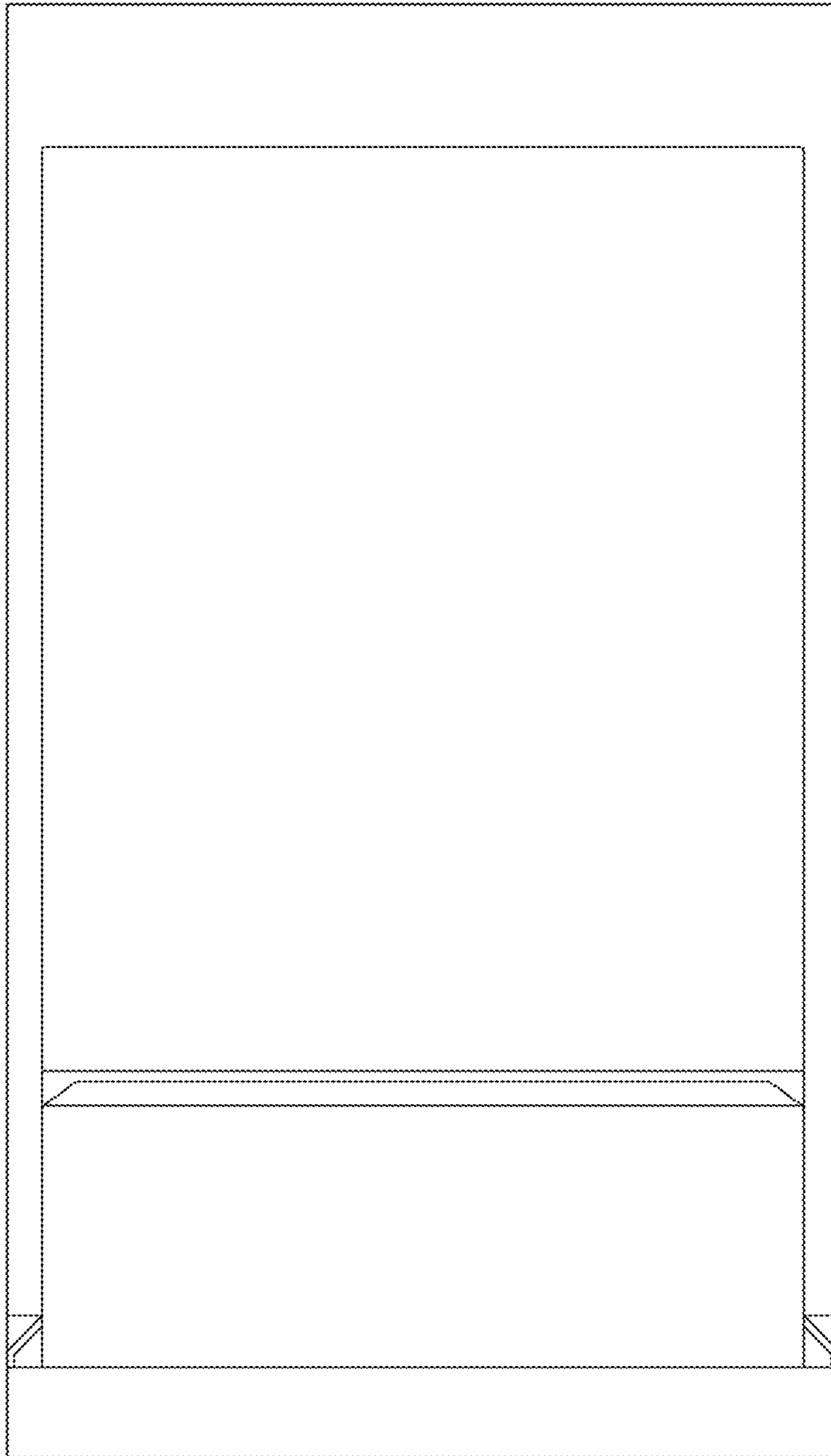
1.2



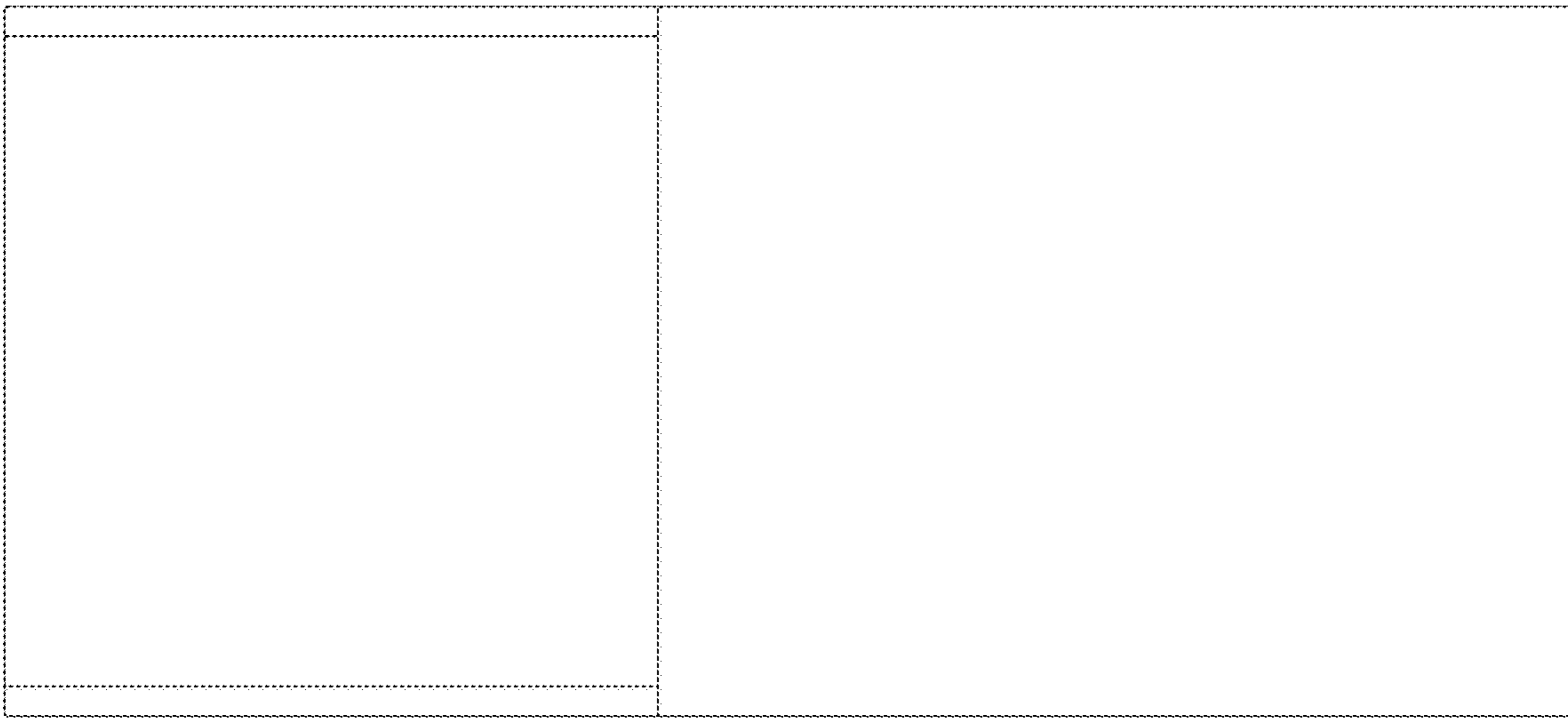
1.3



1.4



1.5



1.6

