



US00D922457S

(12) **United States Design Patent**
Pal et al.

(10) **Patent No.:** **US D922,457 S**
(45) **Date of Patent:** **** Jun. 15, 2021**

- (54) **SKID AND FRAME SET**
- (71) Applicant: **Nextleaf Solutions Ltd.**, Coquitlam (CA)
- (72) Inventors: **Krupal Pal**, Burnaby (CA); **Ryan Delmoral Ko**, Coquitlam (CA); **Peter Kopic**, Langley (CA); **Ian Parker**, North Vancouver (CA)
- (73) Assignee: **Nextleaf Solutions Ltd.**, Vancouver (CA)
- (**) Term: **15 Years**
- (21) Appl. No.: **29/715,196**
- (22) Filed: **Nov. 28, 2019**
- (51) **LOC (13) Cl.** **15-09**
- (52) **U.S. Cl.**
USPC **D15/122; D15/144**
- (58) **Field of Classification Search**
USPC D15/122, 144, 144.1, 144.2, 199; D25/18, 61
CPC B60P 3/224; B60P 3/2205; B60P 3/2295; B65D 88/128; B65D 88/748; B65D 90/06; H01F 27/002; H02B 11/00; H05K 7/14
See application file for complete search history.

- 5,292,012 A * 3/1994 Davis B60P 3/2205 211/85.18
 - 5,682,750 A * 11/1997 Preston F17C 9/00 62/50.2
 - 5,820,748 A * 10/1998 Shadikhan B01D 1/30 208/179
 - 5,862,764 A * 1/1999 Umemoto A01B 19/08 111/127
 - 6,193,402 B1 * 2/2001 Grimland B01F 3/1221 366/14
 - 6,357,365 B1 * 3/2002 Higgins B65D 88/022 108/55.1
 - 6,470,632 B1 * 10/2002 Smith E04B 7/022 52/642
 - D596,316 S * 7/2009 Bateman D25/61
 - 8,083,005 B1 * 12/2011 Nicolai A01B 31/00 172/393
 - 8,393,406 B2 * 3/2013 Seal E02F 3/7627 172/393
 - D758,614 S * 6/2016 Lundell D25/61
- (Continued)

FOREIGN PATENT DOCUMENTS

- DE 3604616 A1 * 8/1987 B01D 35/18
- Primary Examiner* — Patricia A Palasik
(74) *Attorney, Agent, or Firm* — Damien G. Loveland

(57) **CLAIM**

The ornamental design for a skid and frame set, as shown and described.

DESCRIPTION

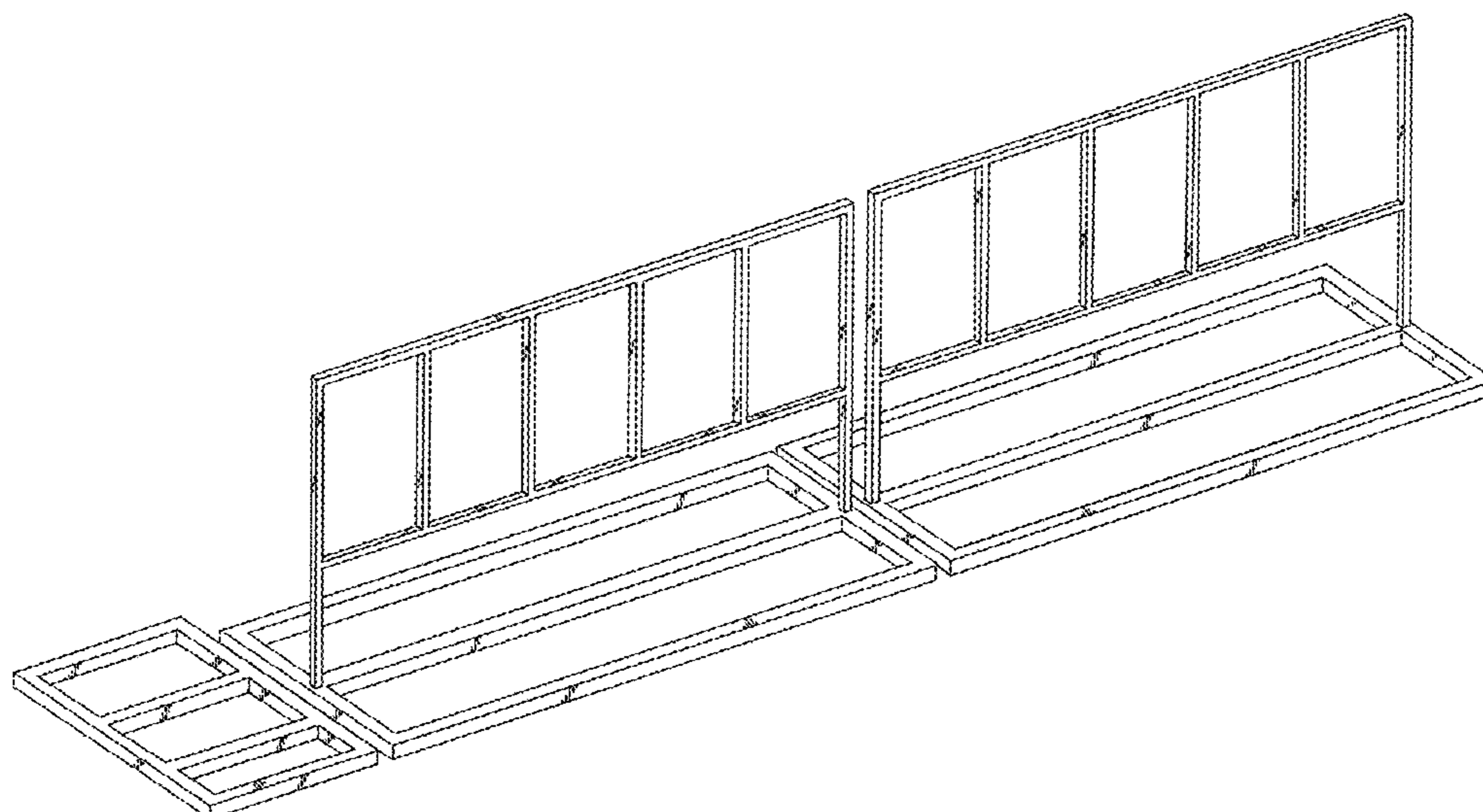
FIG. 1 is a front, left and top perspective view of the skid and frame set showing our new design;
FIG. 2 is a top plan view thereof;
FIG. 3 is a bottom view thereof;
FIG. 4 is a left elevational view thereof;
FIG. 5 is a right elevational view thereof;
FIG. 6 is a front elevational view thereof; and,
FIG. 7 is a rear elevational view thereof.

1 Claim, 4 Drawing Sheets

(56) **References Cited**

U.S. PATENT DOCUMENTS

- 3,556,228 A * 1/1971 Mork A01B 31/00 172/445.1
- 4,158,510 A * 6/1979 Smith B28C 5/02 366/16
- 4,256,944 A * 3/1981 Brandon A01M 1/226 219/686
- 4,418,759 A * 12/1983 Mork E02F 3/7622 172/197
- 4,863,189 A * 9/1989 Lindsay B60P 3/32 280/789



(56)

References Cited

U.S. PATENT DOCUMENTS

10,384,918 B2 * 8/2019 Nagge B66F 3/24
 D863,366 S * 10/2019 LaGrande D15/27
 D879,158 S * 3/2020 Bungart D15/28
 D902,441 S * 11/2020 Giattina D25/61
 10,857,488 B1 * 12/2020 Kulbeth B01D 21/0006
 2004/0007580 A1 * 1/2004 Pfau B60P 3/2205
 220/685
 2004/0074918 A1 * 4/2004 Le Roy B65D 88/128
 222/1
 2005/0109255 A1 * 5/2005 Williamson B63B 25/004
 114/72
 2005/0220573 A1 * 10/2005 Benedict B63B 27/19
 414/143.2
 2007/0277463 A1 * 12/2007 Heirich E04C 3/07
 52/309.16
 2009/0314715 A1 * 12/2009 Conwell B01D 29/114
 210/650
 2010/0089126 A1 * 4/2010 Sweeney F16L 1/26
 73/40
 2011/0252718 A1 * 10/2011 Kobayashi E04B 1/3483
 52/79.1
 2012/0224663 A1 * 9/2012 Patel G21C 19/20
 376/260
 2013/0136435 A1 * 5/2013 Graibus F22B 1/287
 392/391
 2013/0194059 A1 * 8/2013 Parr H02K 7/003
 336/65
 2015/0252935 A1 * 9/2015 Osiecki F16L 3/08
 248/68.1

* cited by examiner

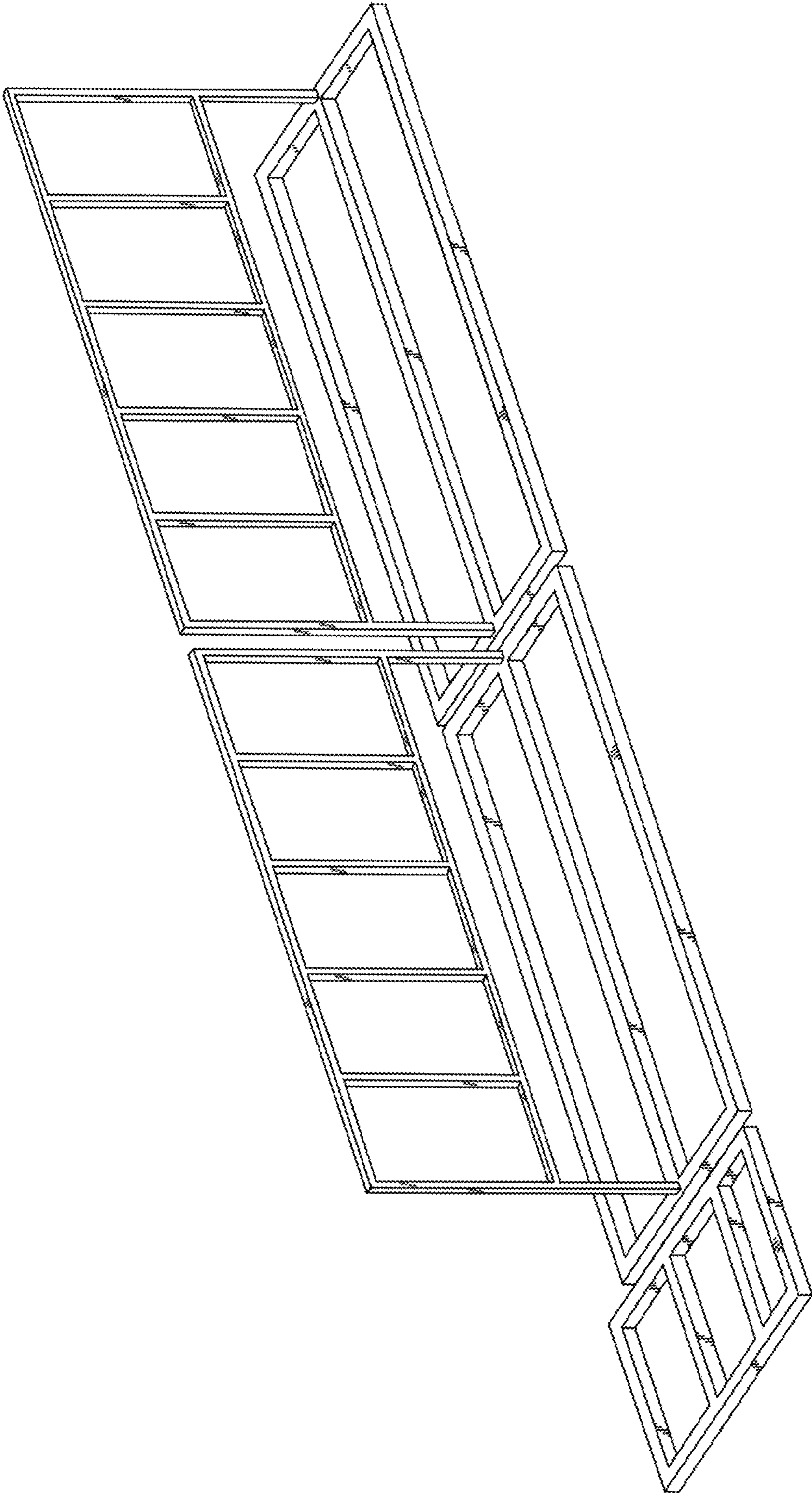


FIG. 1

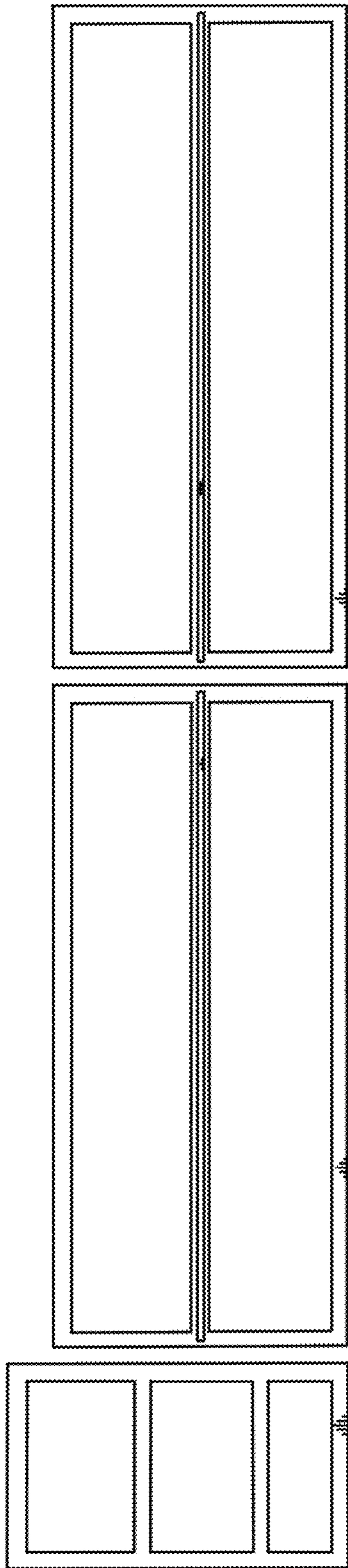


FIG. 2

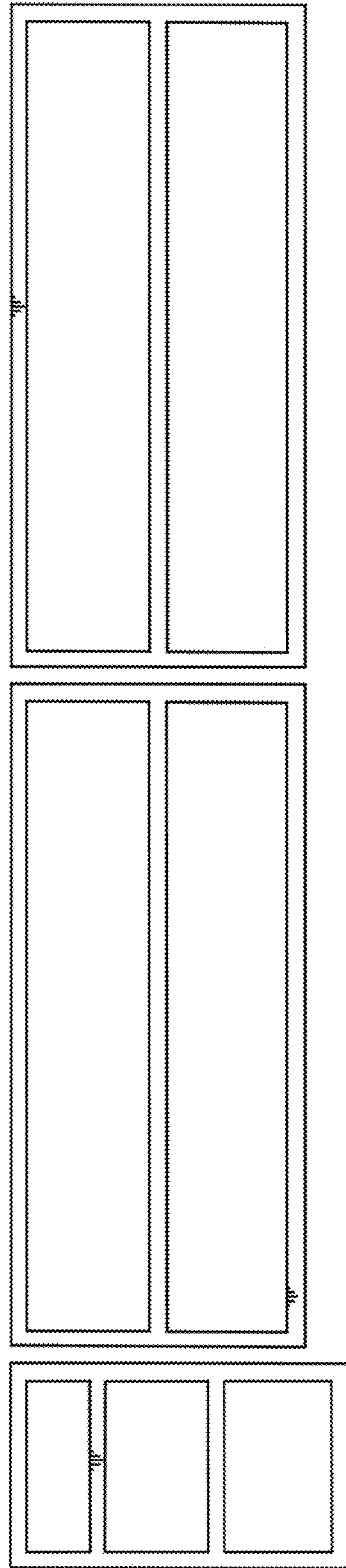


FIG. 3

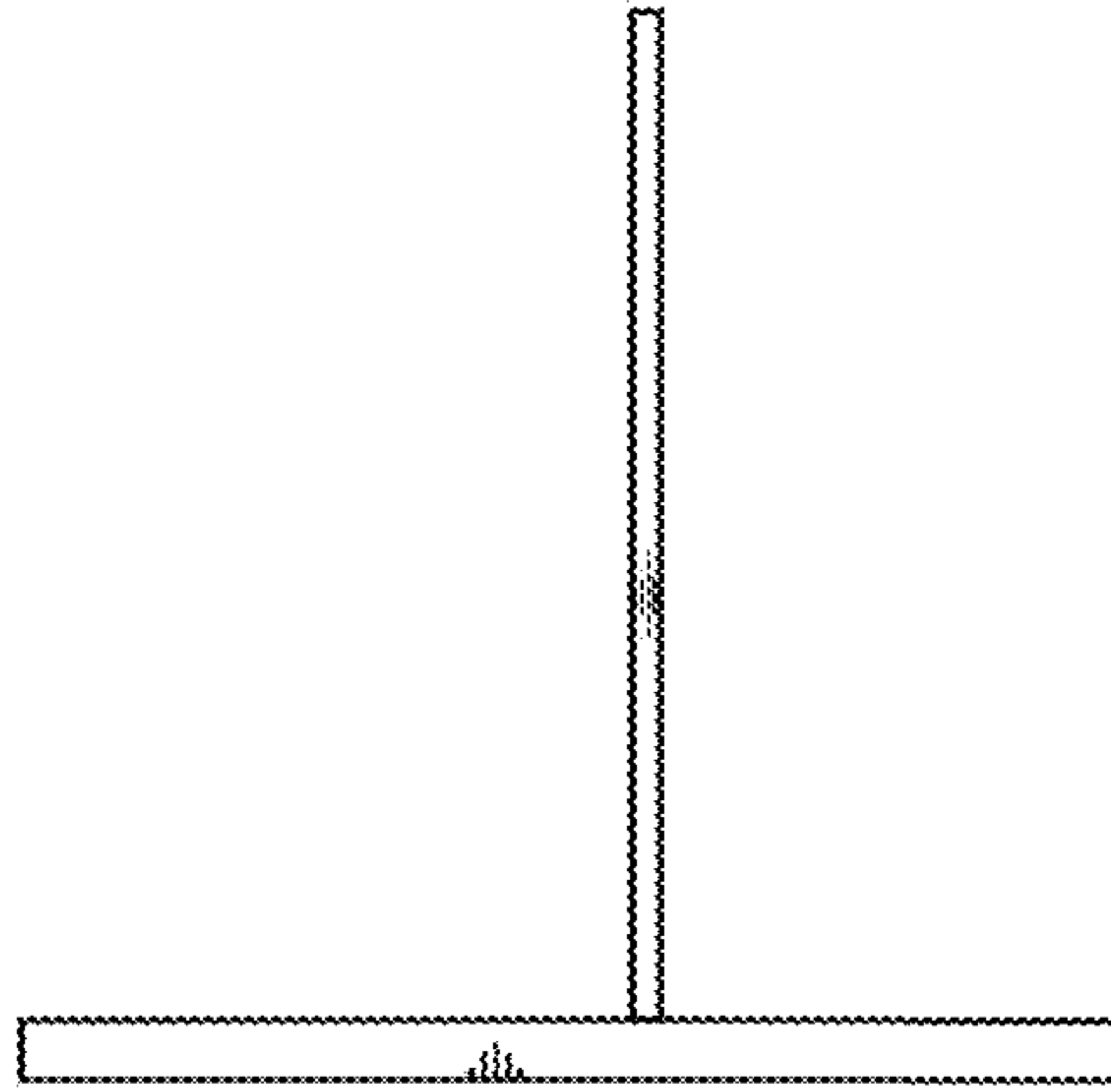


FIG. 4

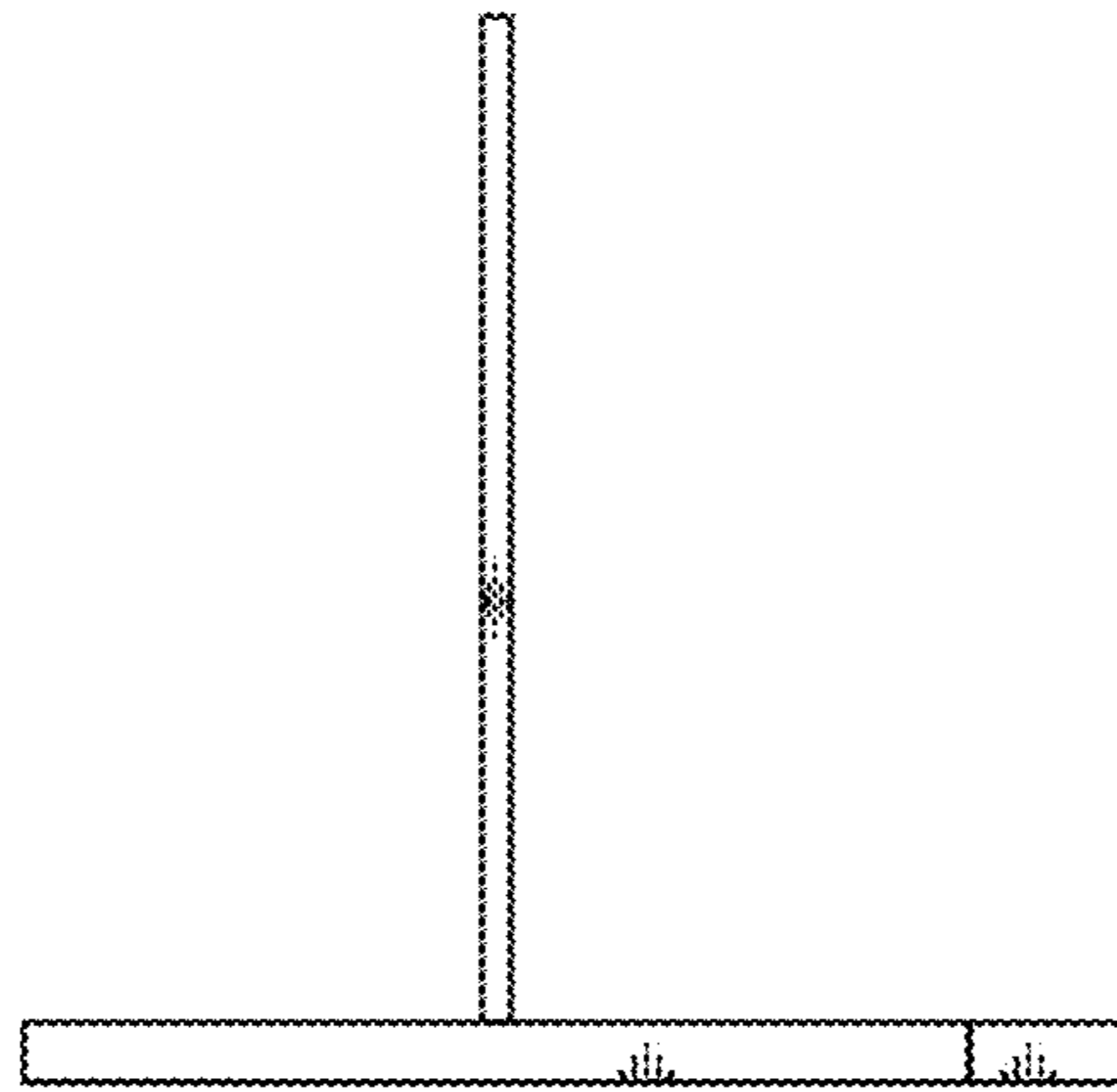


FIG. 5

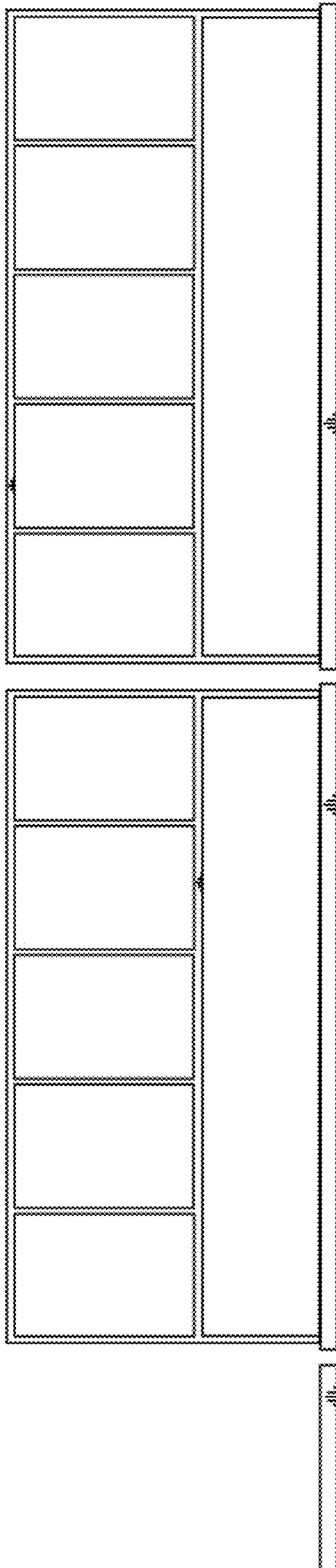


FIG. 6

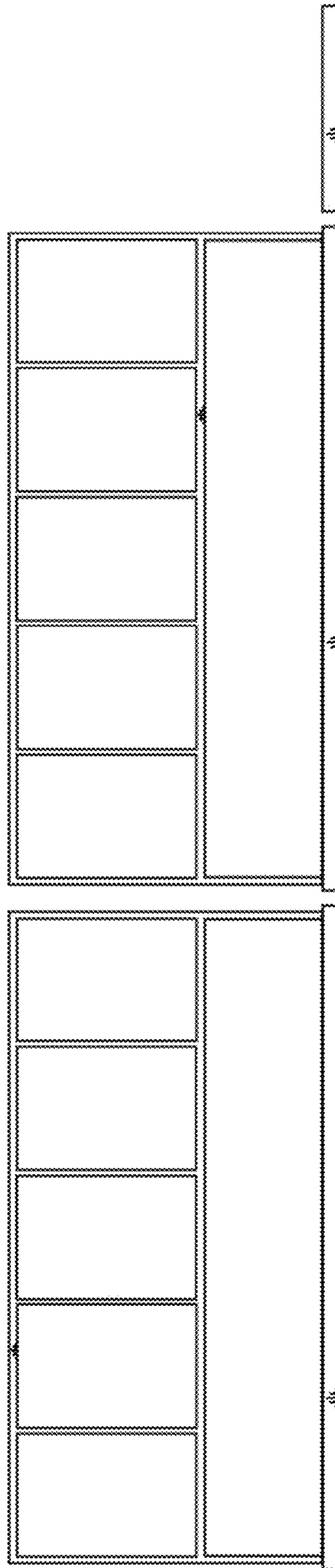


FIG. 7