

US00D922455S

(12) **United States Design Patent** (10) **Patent No.:** **US D922,455 S**
Yeo (45) **Date of Patent:** **** Jun. 15, 2021**

(54) **DOOR-MOUNTED REFRIGERATOR**

2317/0664; F25D 2321/147; F25D 2323/02; F25D 23/023; F25B 21/02

(71) Applicant: **LG ELECTRONICS INC.**, Seoul (KR)

See application file for complete search history.

(72) Inventor: **Insun Yeo**, Seoul (KR)

(56) **References Cited**

(73) Assignee: **LG Electronics Inc.**, Seoul (KR)

U.S. PATENT DOCUMENTS

(**) Term: **15 Years**

5,474,213	A *	12/1995	Unger	F25C 5/22 222/108
2003/0005716	A1 *	1/2003	Doran	F25D 23/10 62/263
2008/0278335	A1 *	11/2008	Welte	G07C 9/28 340/573.3
2017/0188542	A1 *	7/2017	Dix	A01K 1/035
2018/0172337	A1 *	6/2018	Choi	E06B 1/00
2019/0257556	A1 *	8/2019	Pinet	A47F 3/0434
2019/0271500	A1 *	9/2019	Lee	G02B 6/0088

(21) Appl. No.: **35/509,054**

(22) Filed: **Oct. 8, 2019**

* cited by examiner

(80) **Hague Agreement Data**

Int. Filing Date: **Oct. 8, 2019**
Int. Reg. No.: **DM/205011**
Int. Reg. Date: **Oct. 8, 2019**
Int. Reg. Pub. Date: **Apr. 10, 2020**

Primary Examiner — Richard E Chilcot
(74) *Attorney, Agent, or Firm* — Birch, Stewart, Kolasch & Birch, LLP

(30) **Foreign Application Priority Data**

Apr. 11, 2019 (KR) 30-2019-0017173

(51) **LOC (13) Cl.** **15-07**

(52) **U.S. Cl.**
USPC **D15/79**
CPC **F25B 21/02** (2013.01)

(58) **Field of Classification Search**
USPC D15/79-91
CPC F25D 25/025; F25D 23/028; F25D 2323/024; F25D 23/00; F25D 23/02; F25D 2323/021; F25D 23/065; F25D 11/00; F25D 2201/14; F25D 23/021; F25D 23/025; F25D 23/04; F25D 27/00; F25D 23/062; F25D 23/067; F25D 2400/18; F25D 23/08; F25D 23/085; F25D 2500/02; F25D 25/00; F25D 25/005; F25D 25/022; F25D 25/024; F25D 17/047; F25D 2317/041; F25D 2317/04131; F25D 2317/043; F25D

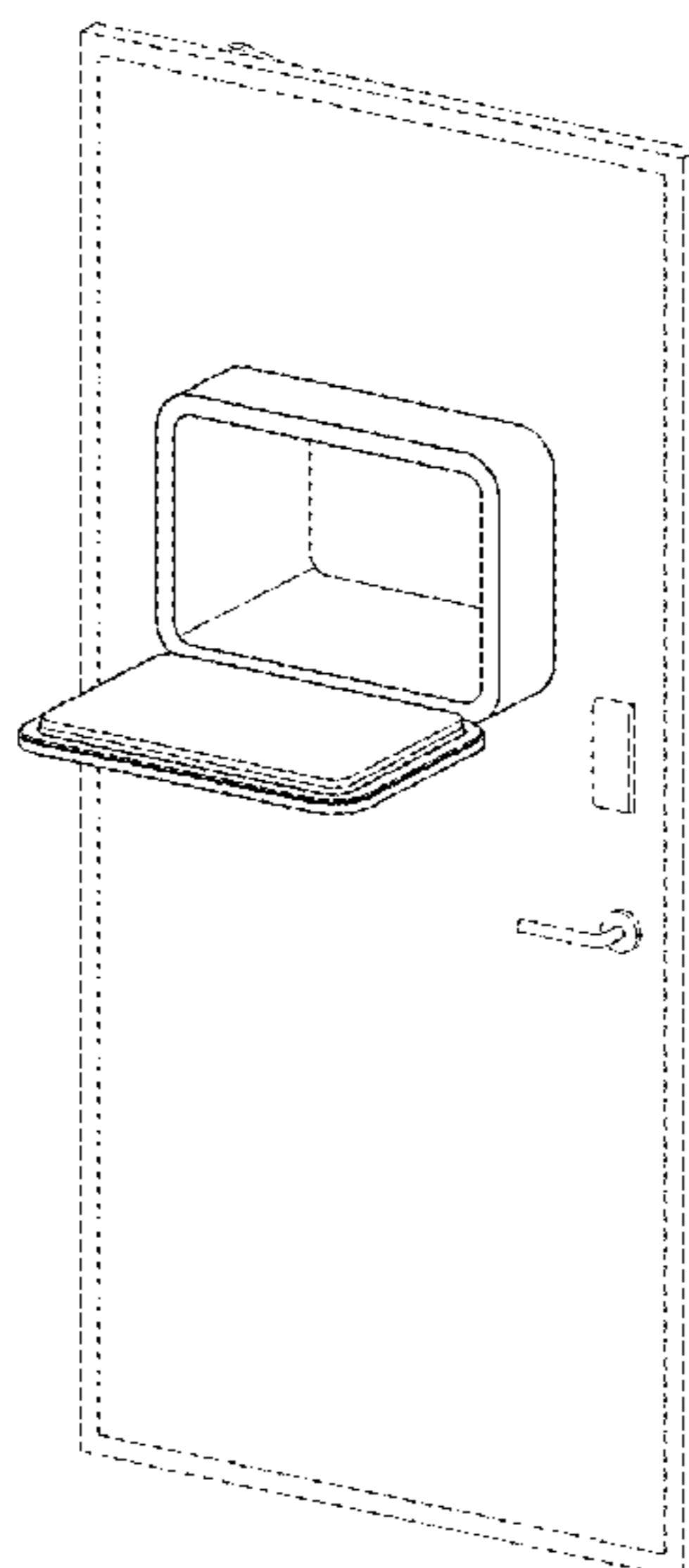
(57) **CLAIM**

The ornamental design for a door-mounted refrigerator, as shown and described.

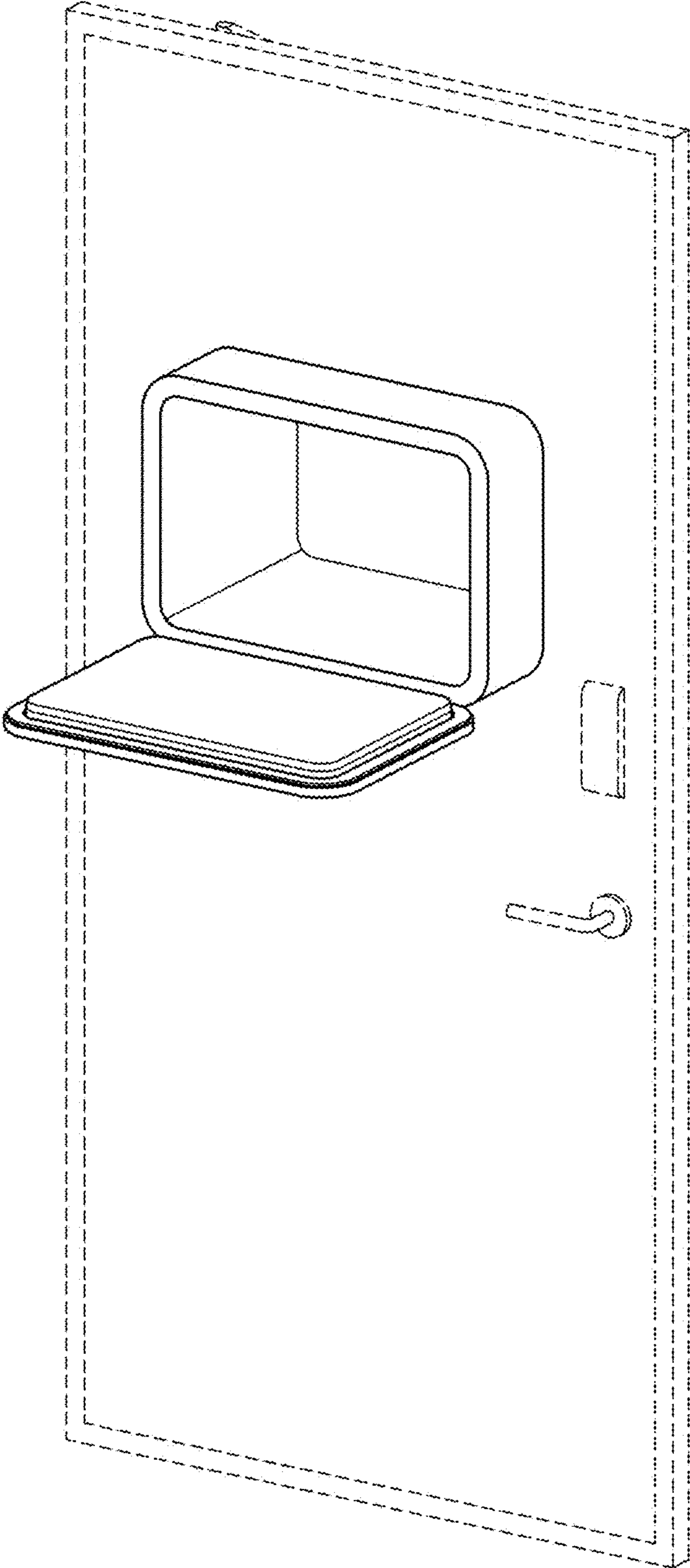
DESCRIPTION

1. Door-mounted refrigerator
1.1 : Perspective
1.2 : Front
1.3 : Back
1.4 : Left
1.5 : Right
1.6 : Top
1.7 : Bottom
1.8 : Reference view showing the state of use
1.9 : Reference view showing the state of use
Broken lines illustrate environmental condition only and form no part of the claimed design.

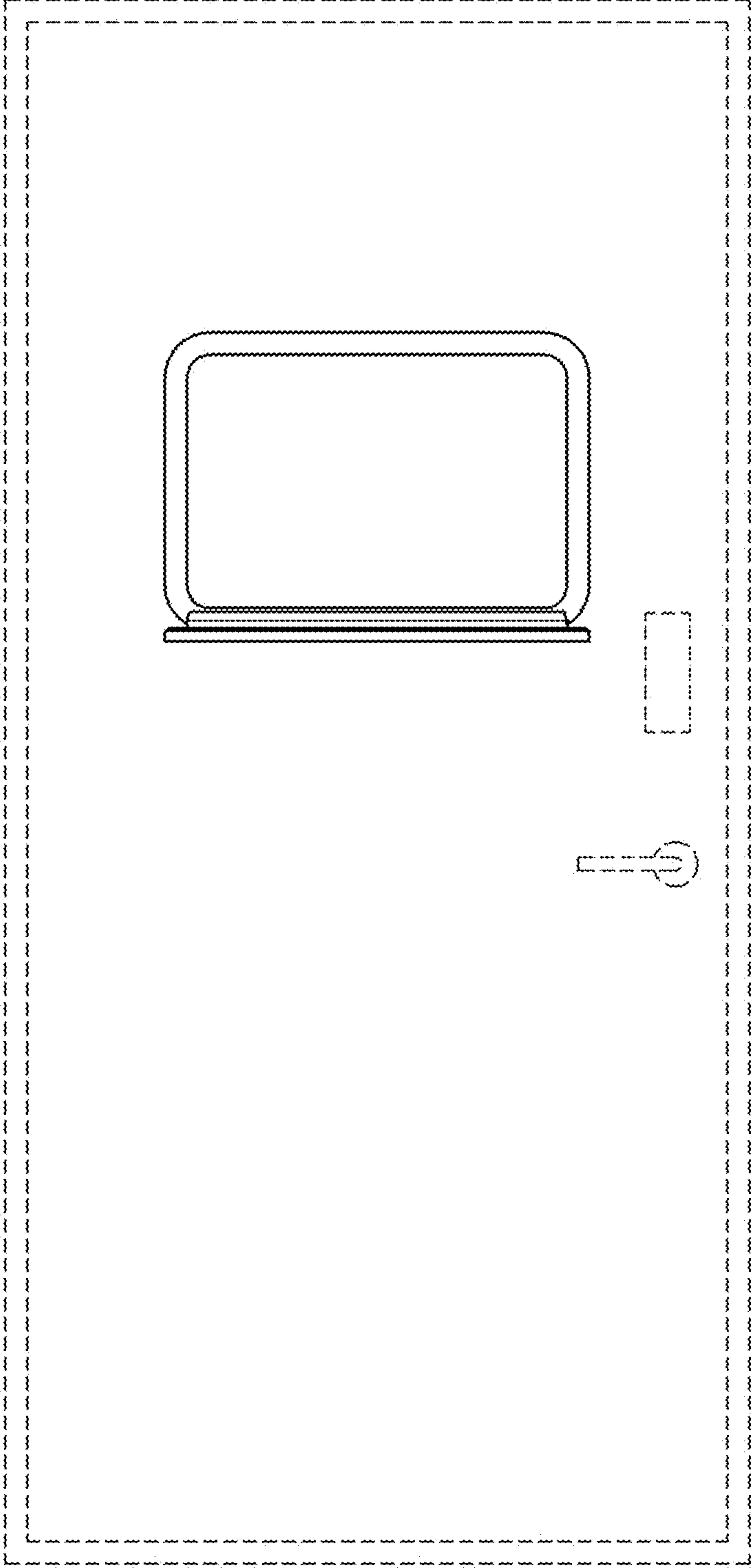
1 Claim, 9 Drawing Sheets



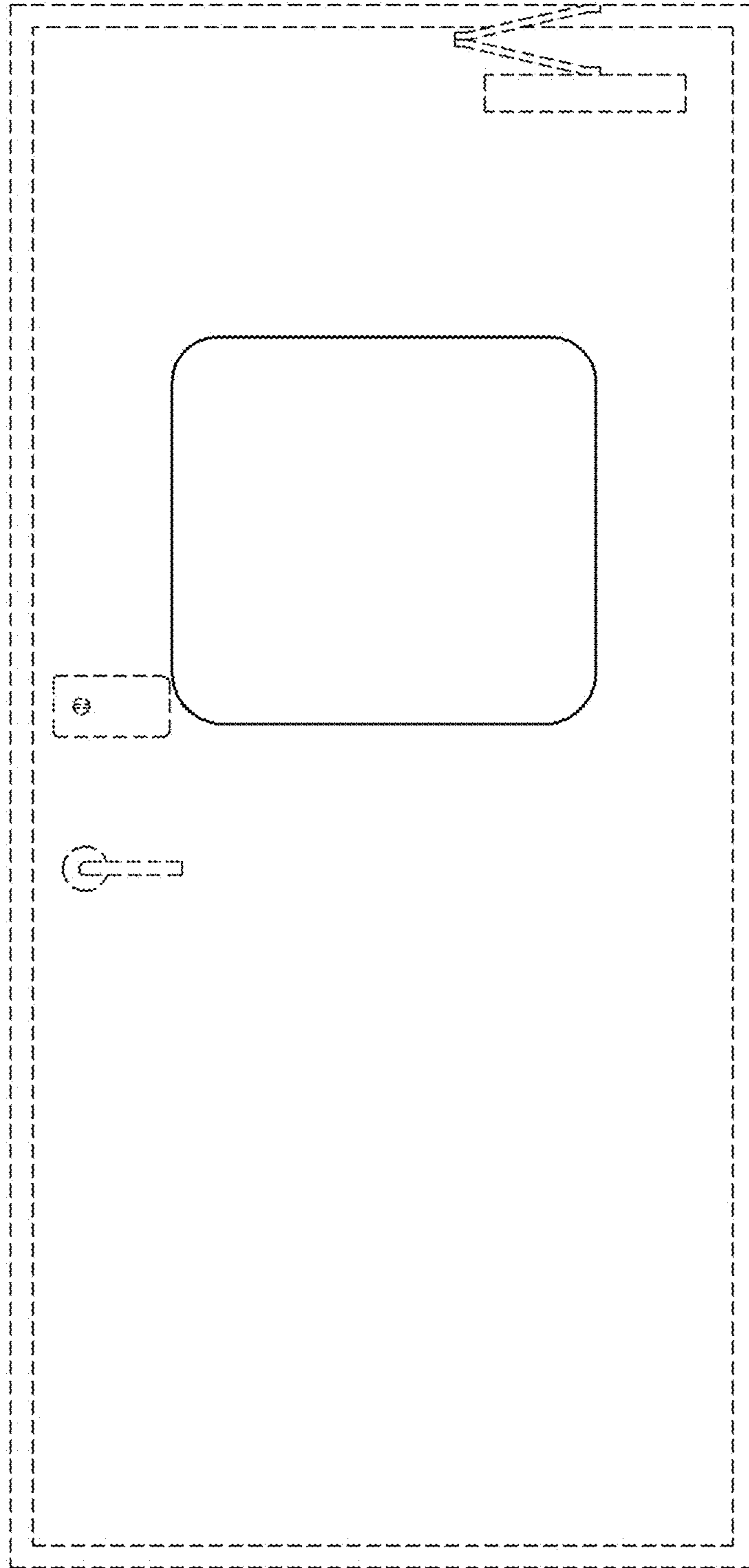
1.1



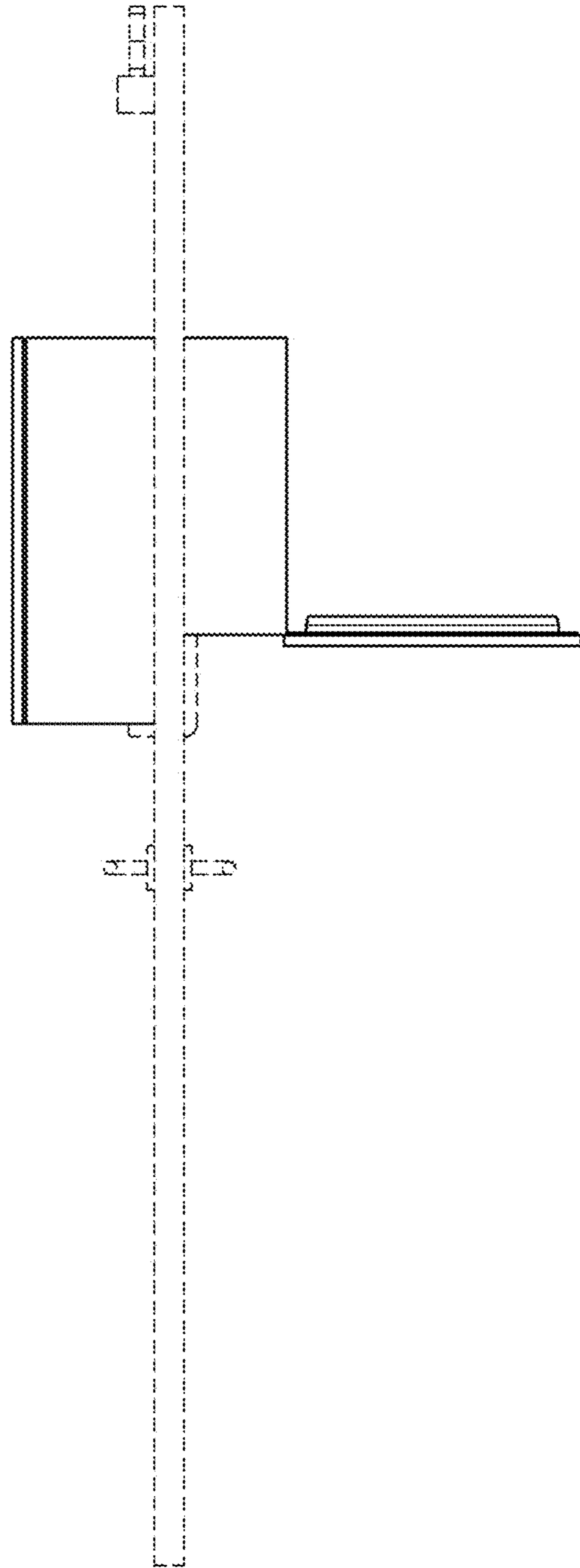
1.2



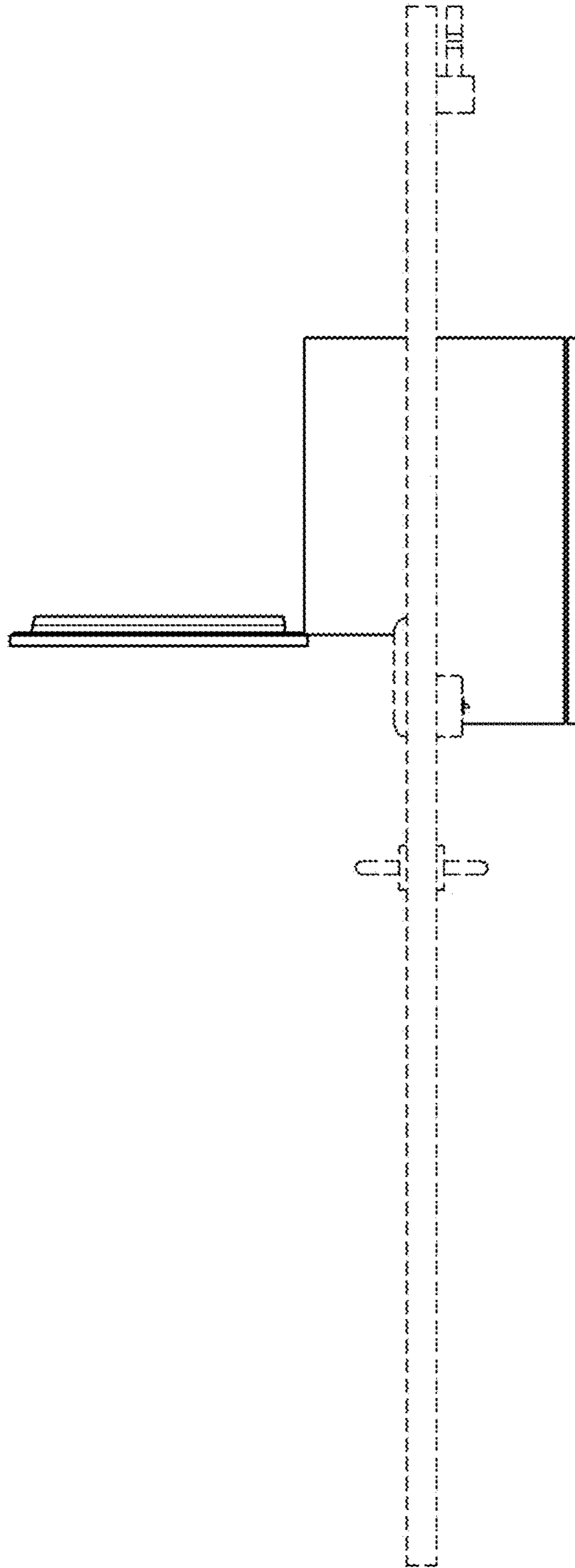
1.3



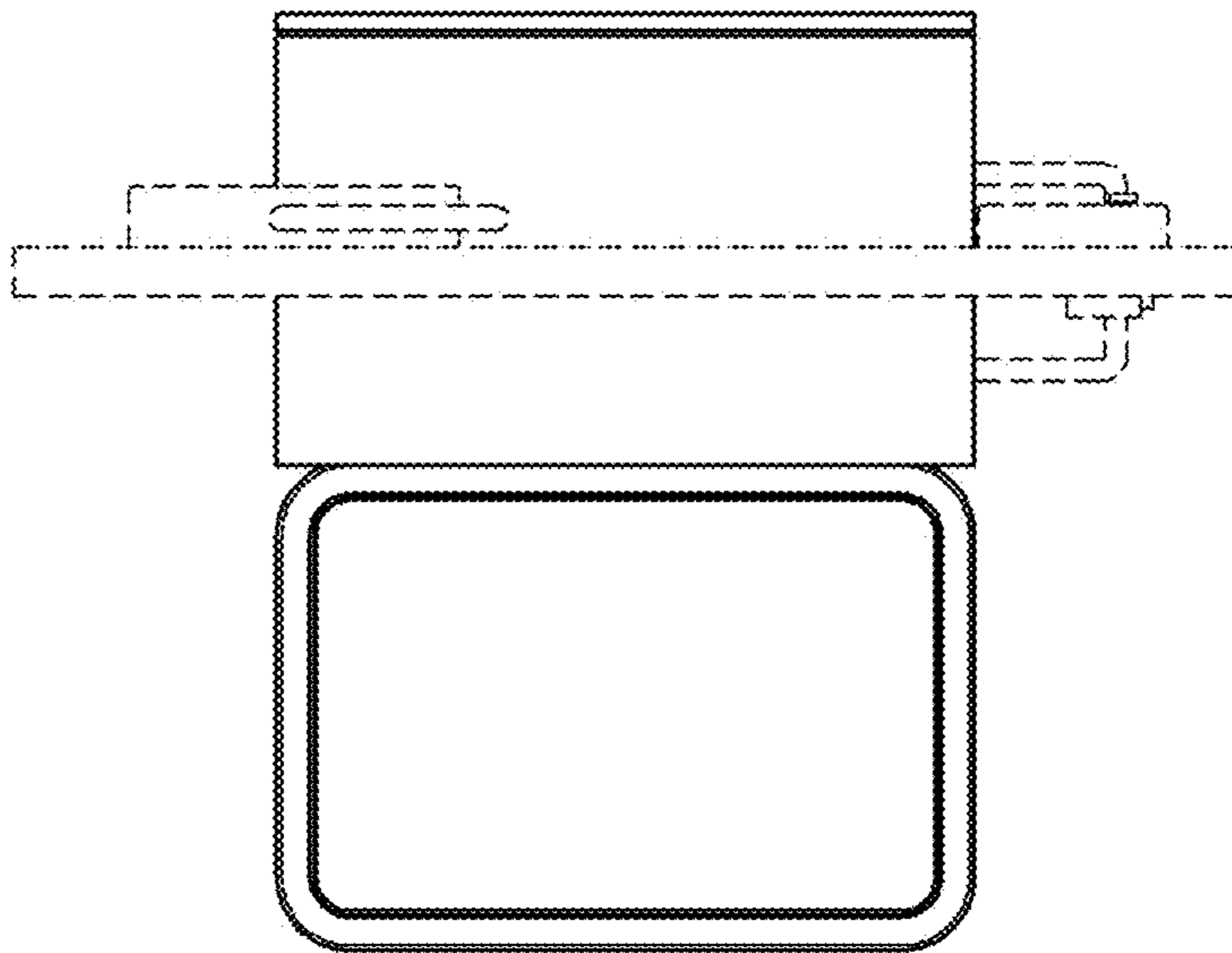
1.4



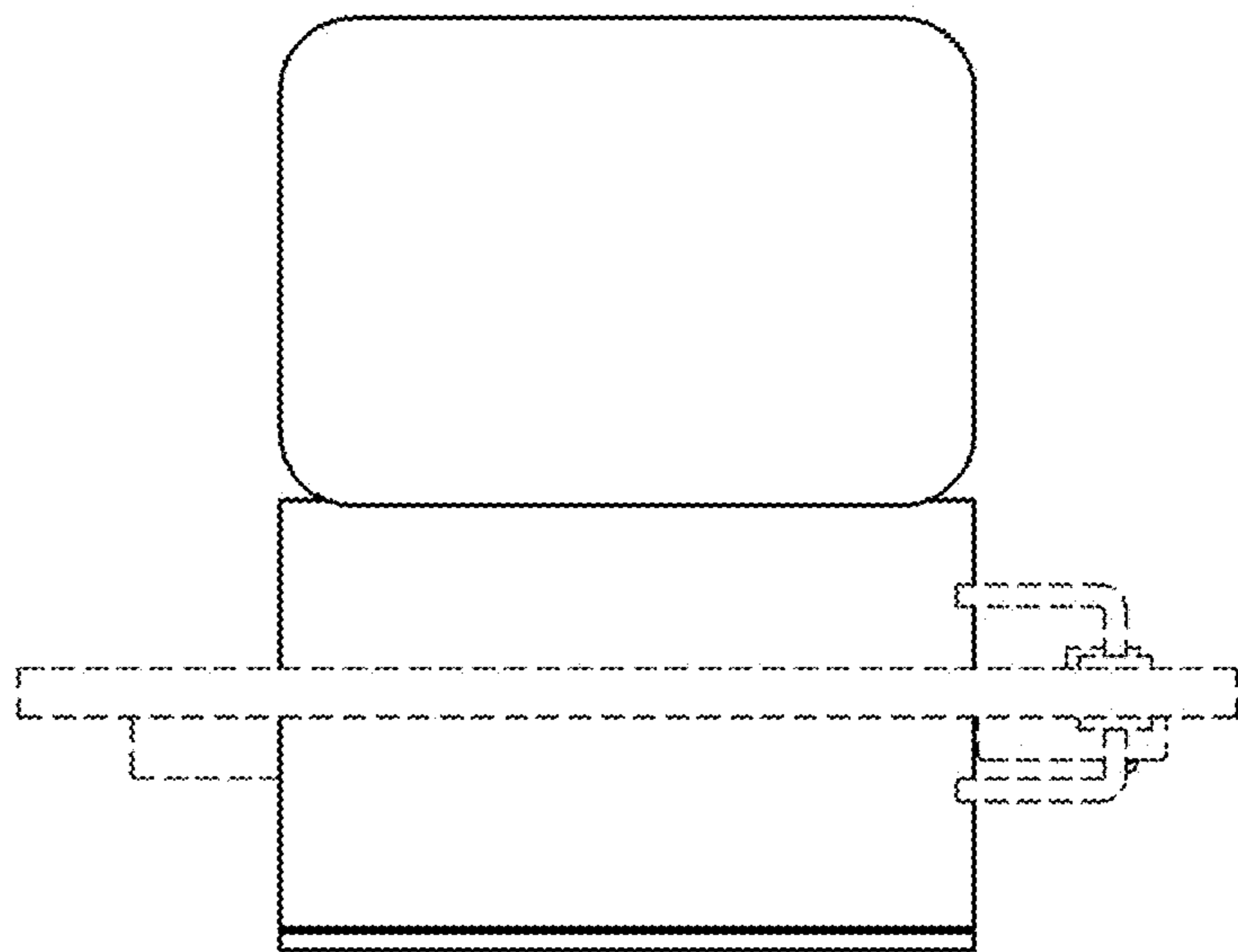
1.5



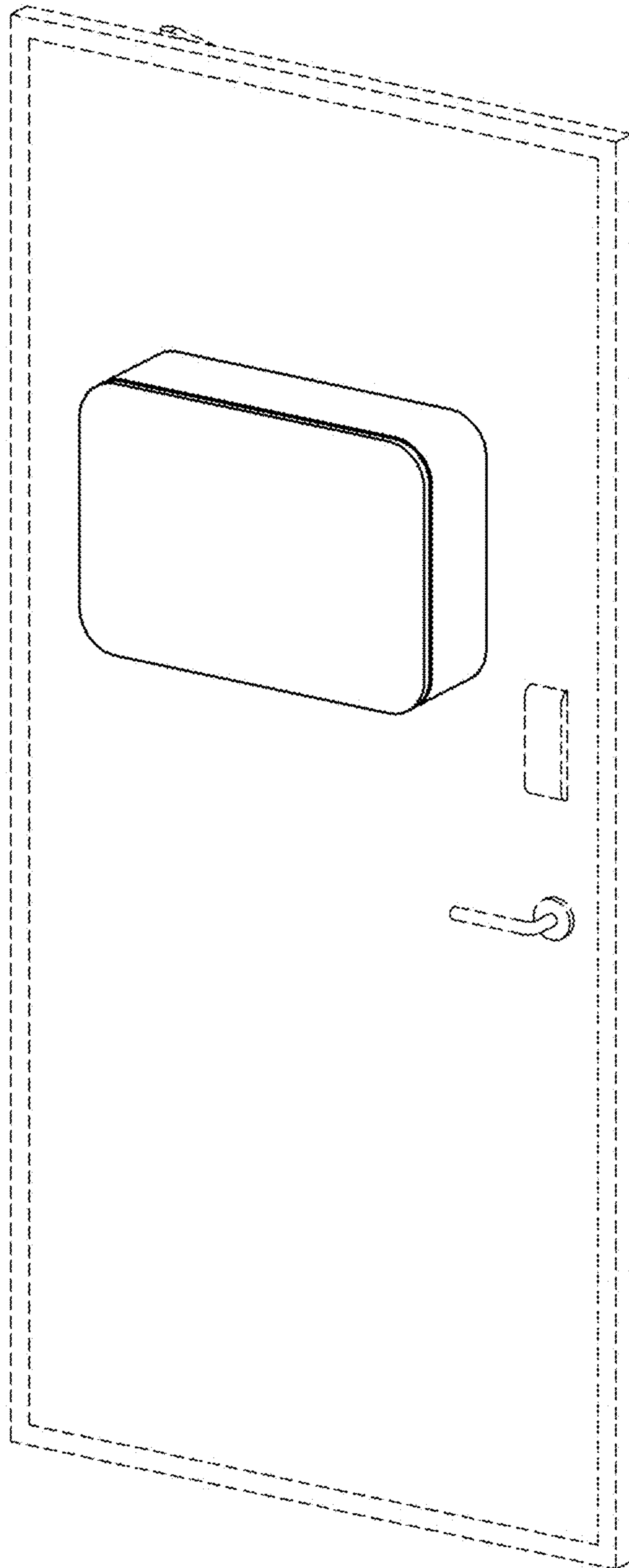
1.6



1.7



1.8



1.9

