



US00D922454S

(12) **United States Design Patent** (10) **Patent No.:** **US D922,454 S**
Tang (45) **Date of Patent:** **** Jun. 15, 2021**

(54) **PORTABLE REFRIGERATOR**

(56) **References Cited**

(71) Applicant: **ACOSOLAR INC.**, Walnut, CA (US)

U.S. PATENT DOCUMENTS

(72) Inventor: **Longhua Tang**, Walnut, CA (US)

D497,783	S	*	11/2004	Krieger	D7/605
D499,612	S	*	12/2004	Smith, Sr.	D14/168
D527,225	S	*	8/2006	Krieger	D7/605
D830,429	S	*	10/2018	Brown	D15/79
D906,377	S	*	12/2020	Tang	D15/79
2020/0132356	A1	*	4/2020	Tang	F25D 11/00
2021/0018250	A1	*	1/2021	Tang	F25D 23/06

(**) Term: **15 Years**

(21) Appl. No.: **29/702,433**

* cited by examiner

(22) Filed: **Aug. 19, 2019**

Primary Examiner — Khawaja Anwar

Related U.S. Application Data

(74) *Attorney, Agent, or Firm* — Tsz Lung Yeung

(63) Continuation-in-part of application No. 16/447,623, filed on Jun. 20, 2019, now Pat. No. 10,641,538.

(57) **CLAIM**

(51) **LOC (13) Cl.** **15-07**

The ornamental design for a portable refrigerator, as shown and described.

(52) **U.S. Cl.**
USPC **D15/79**

DESCRIPTION

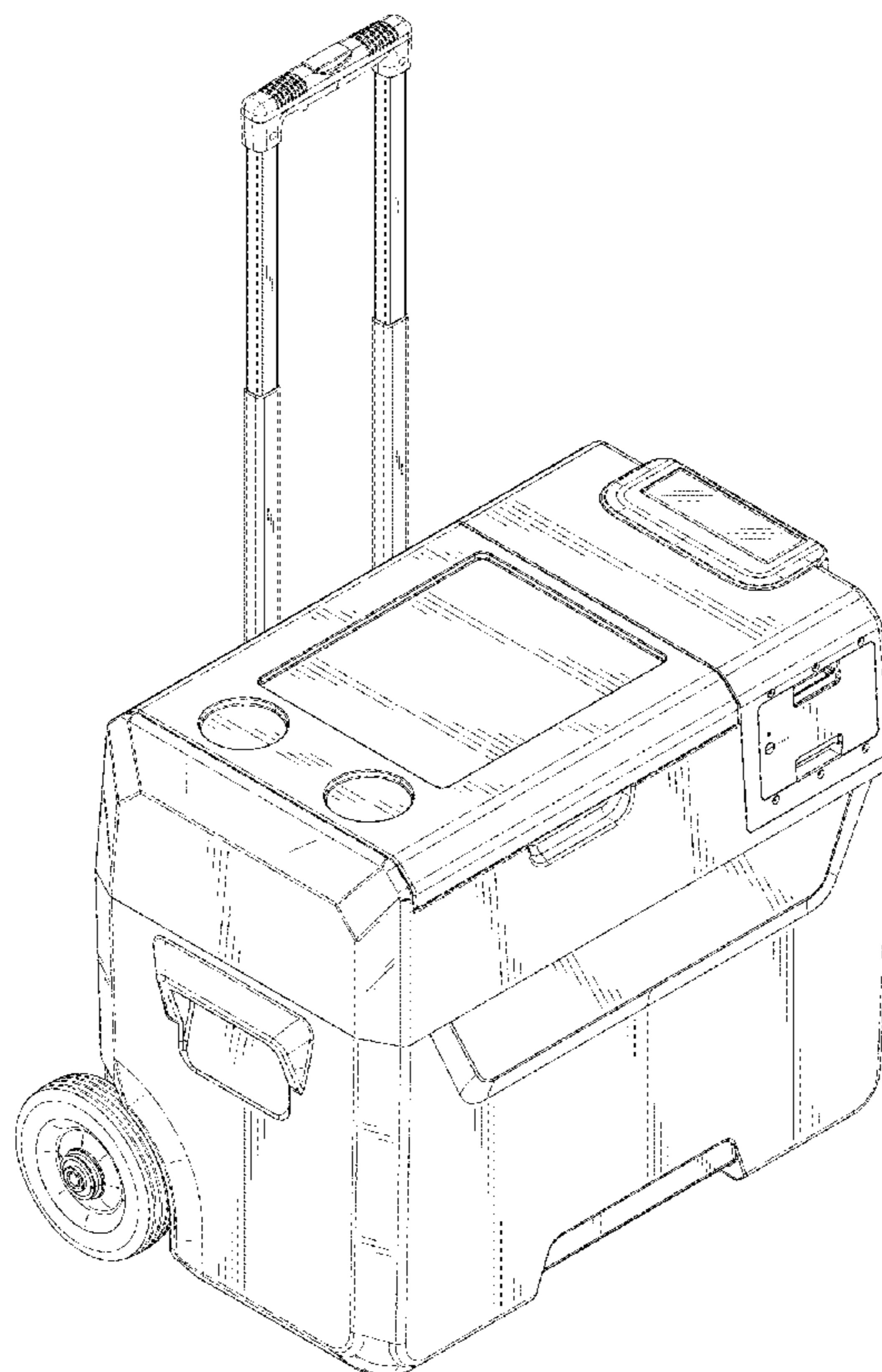
(58) **Field of Classification Search**

USPC D15/79-91; D7/603-608; D3/272-274
CPC F25D 17/02; F25D 11/003; F25D 19/003;
F25D 19/02; F25D 21/04; F25D 2201/14;
F25D 2331/803; F25D 2331/805; F25D
23/006; F25D 23/028; F25D 23/065;
F25D 23/066; F25D 23/085; F25D
2400/20; F25D 2400/28; F25D 2400/38;
F25D 2700/16; F25D 29/00; F25D
29/003; F25D 29/005; F25D 31/006;
F25D 31/007

FIG. 1 is a perspective view of a portable refrigerator showing my new design;
FIG. 2 is a front view thereof;
FIG. 3 is a rear view thereof;
FIG. 4 is a left side view thereof;
FIG. 5 is a right side view thereof;
FIG. 6 is a top view thereof;
FIG. 7 is a bottom view thereof; and,
FIG. 8 is a rear perspective view thereof.
The broken lines depict portions of the portable refrigerator that form no part of the claimed design.

See application file for complete search history.

1 Claim, 8 Drawing Sheets



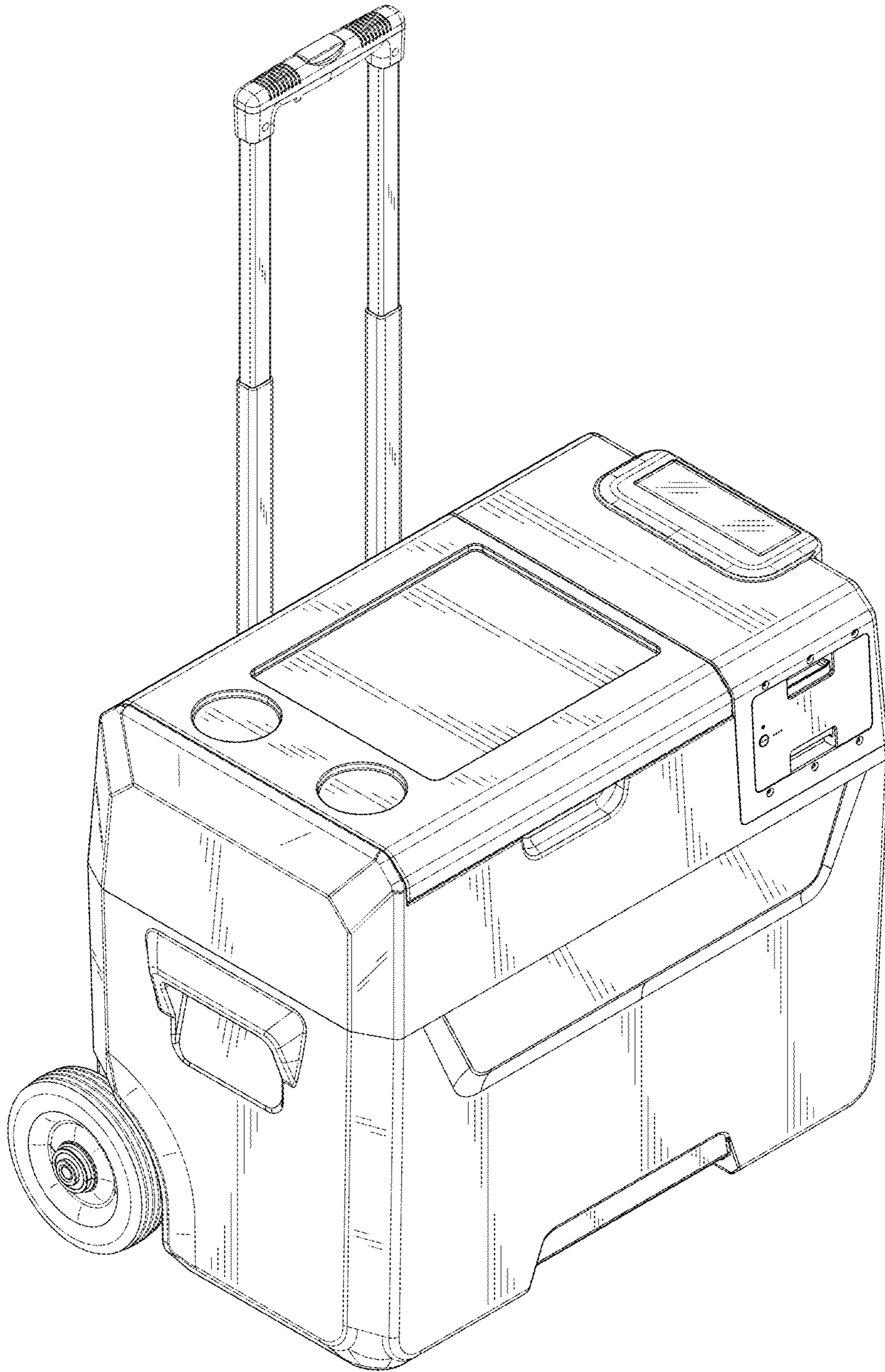


FIG. 1

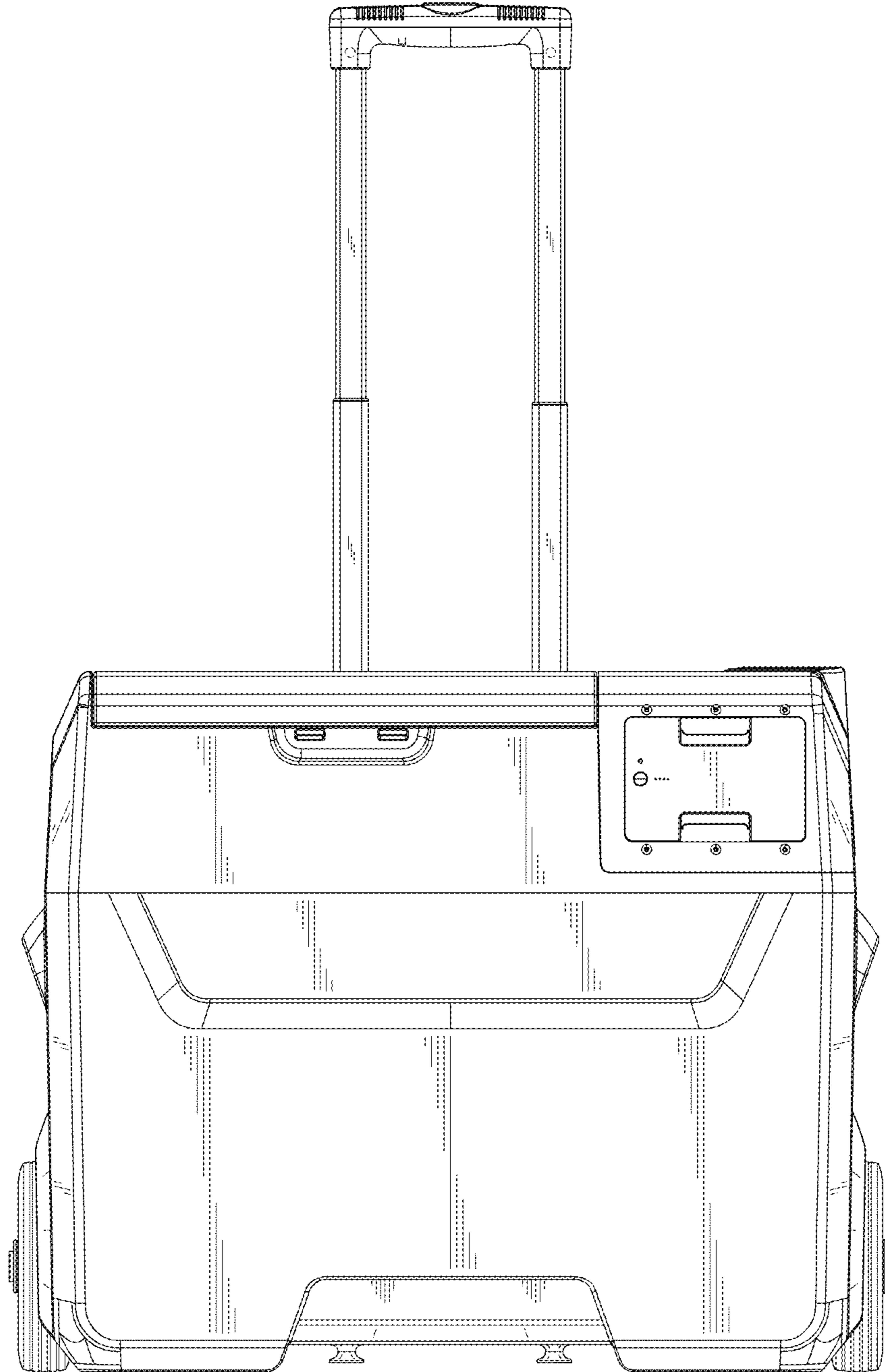


FIG.2

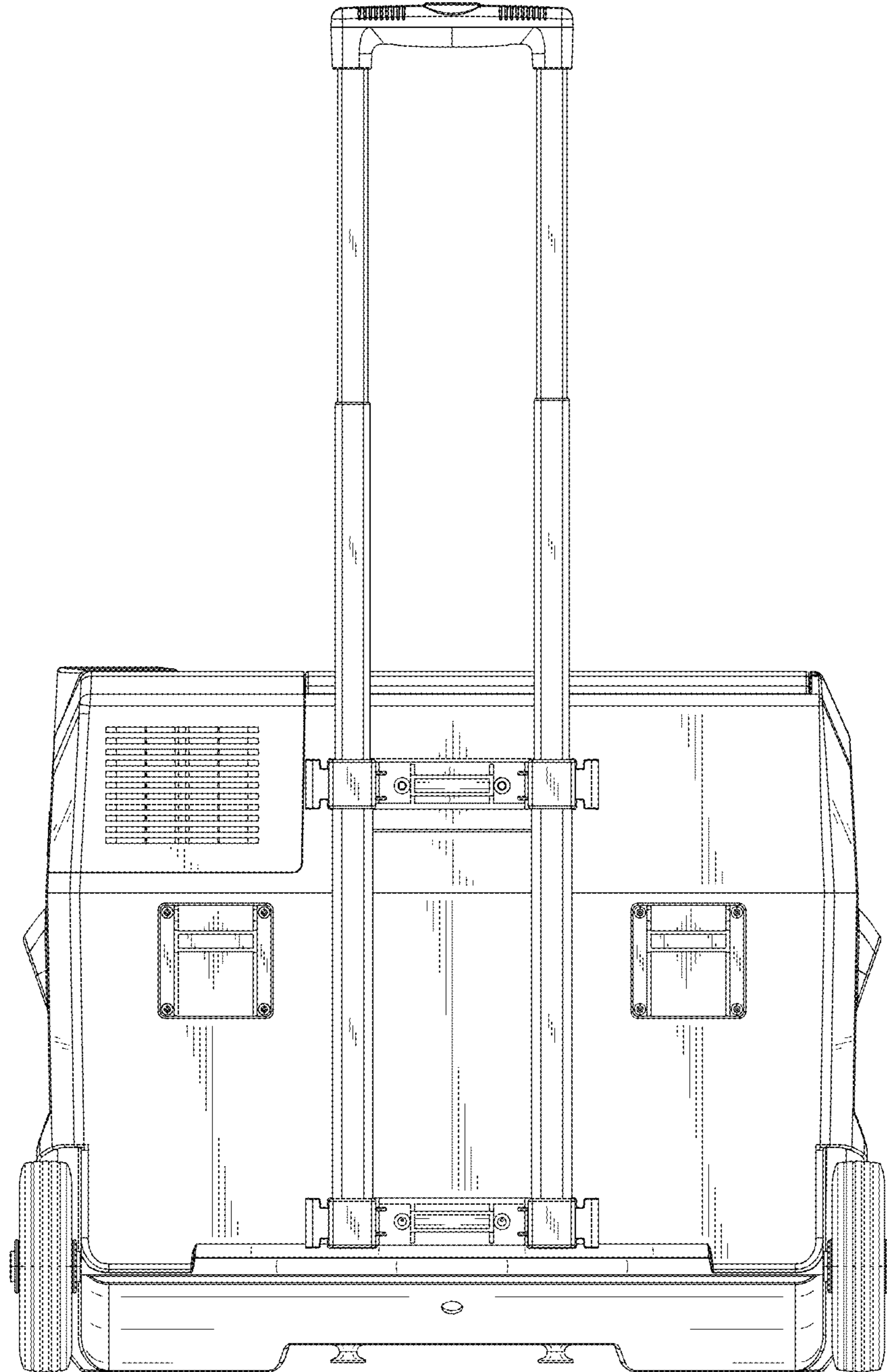


FIG. 3

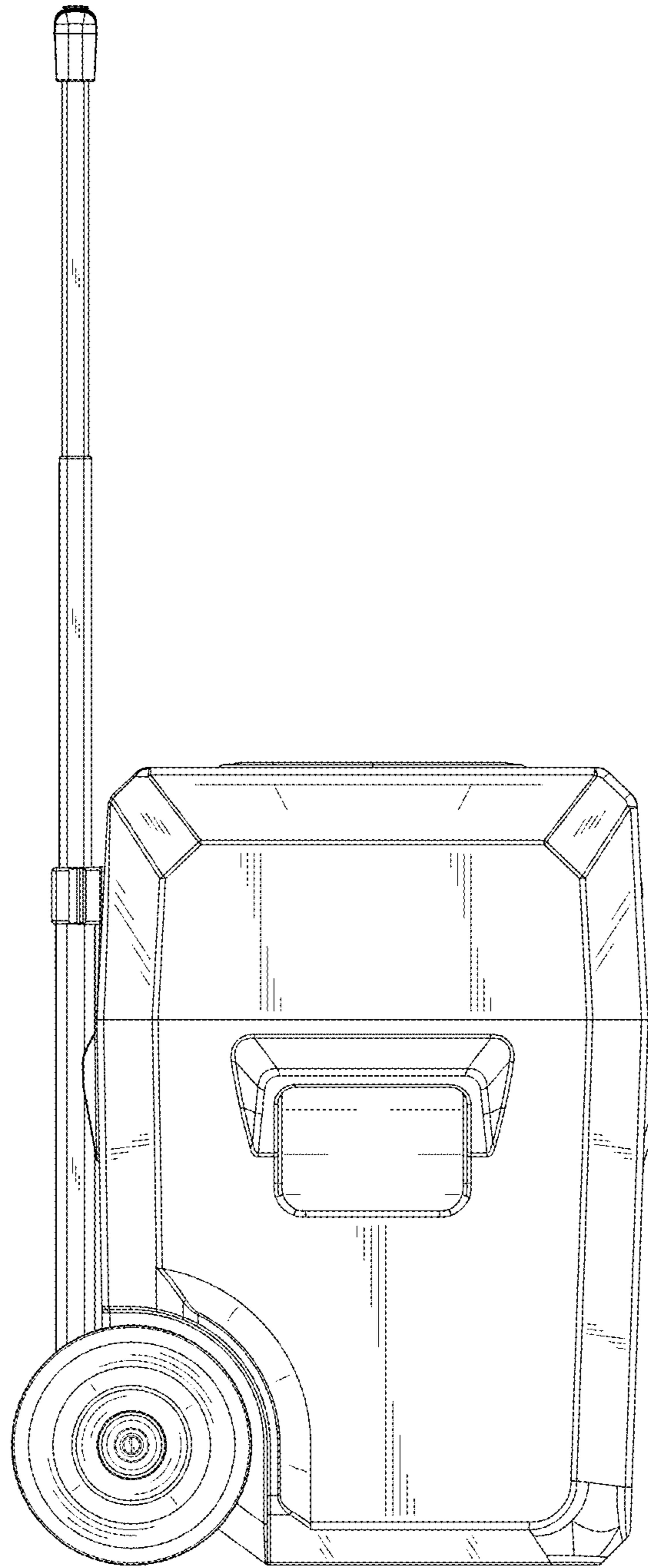


FIG. 4

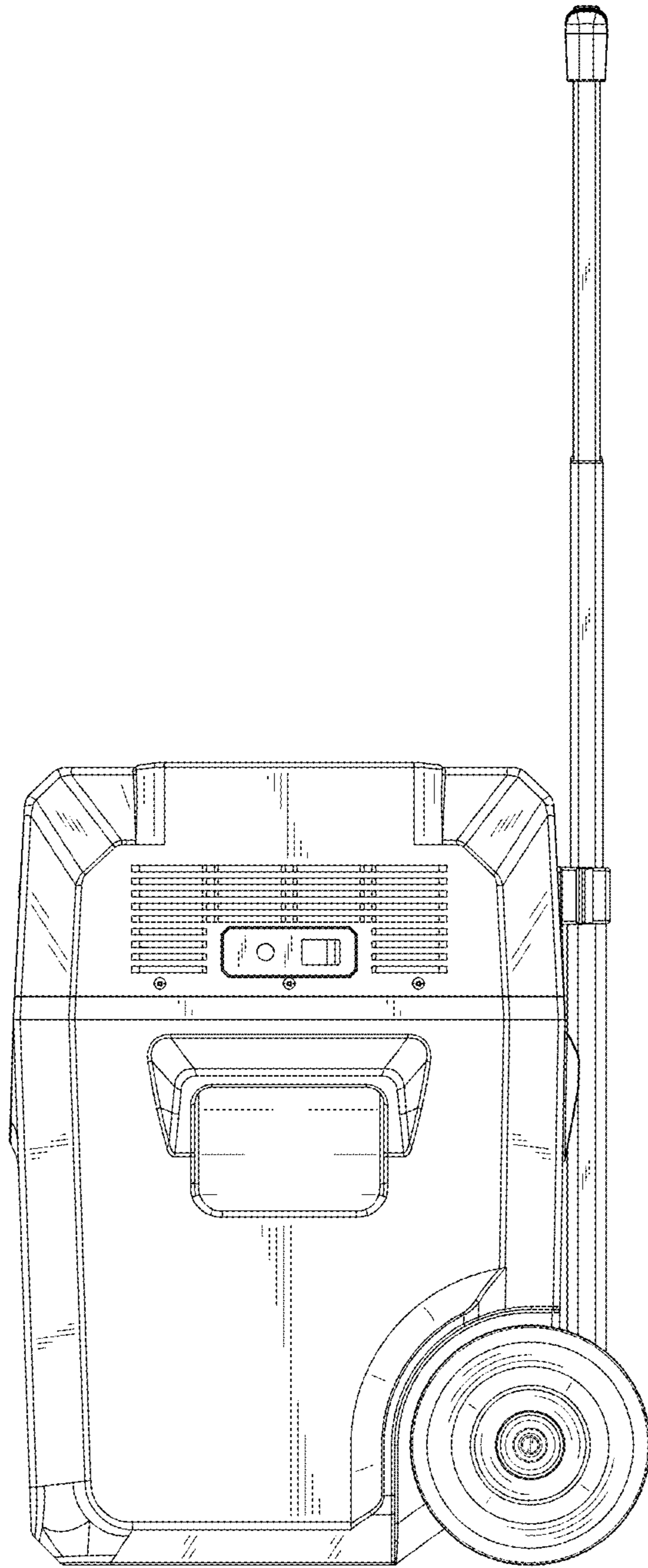


FIG. 5

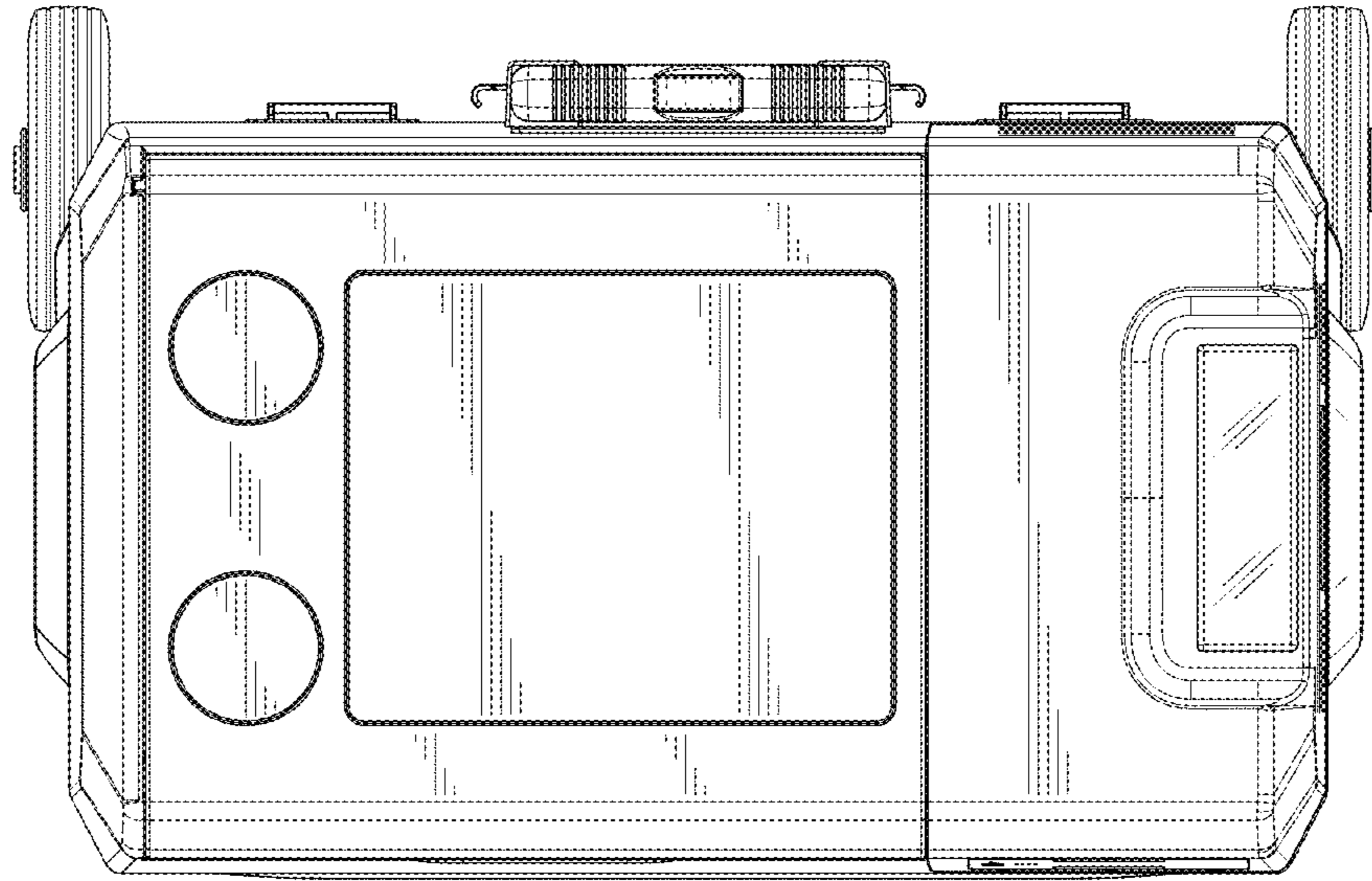


FIG. 6

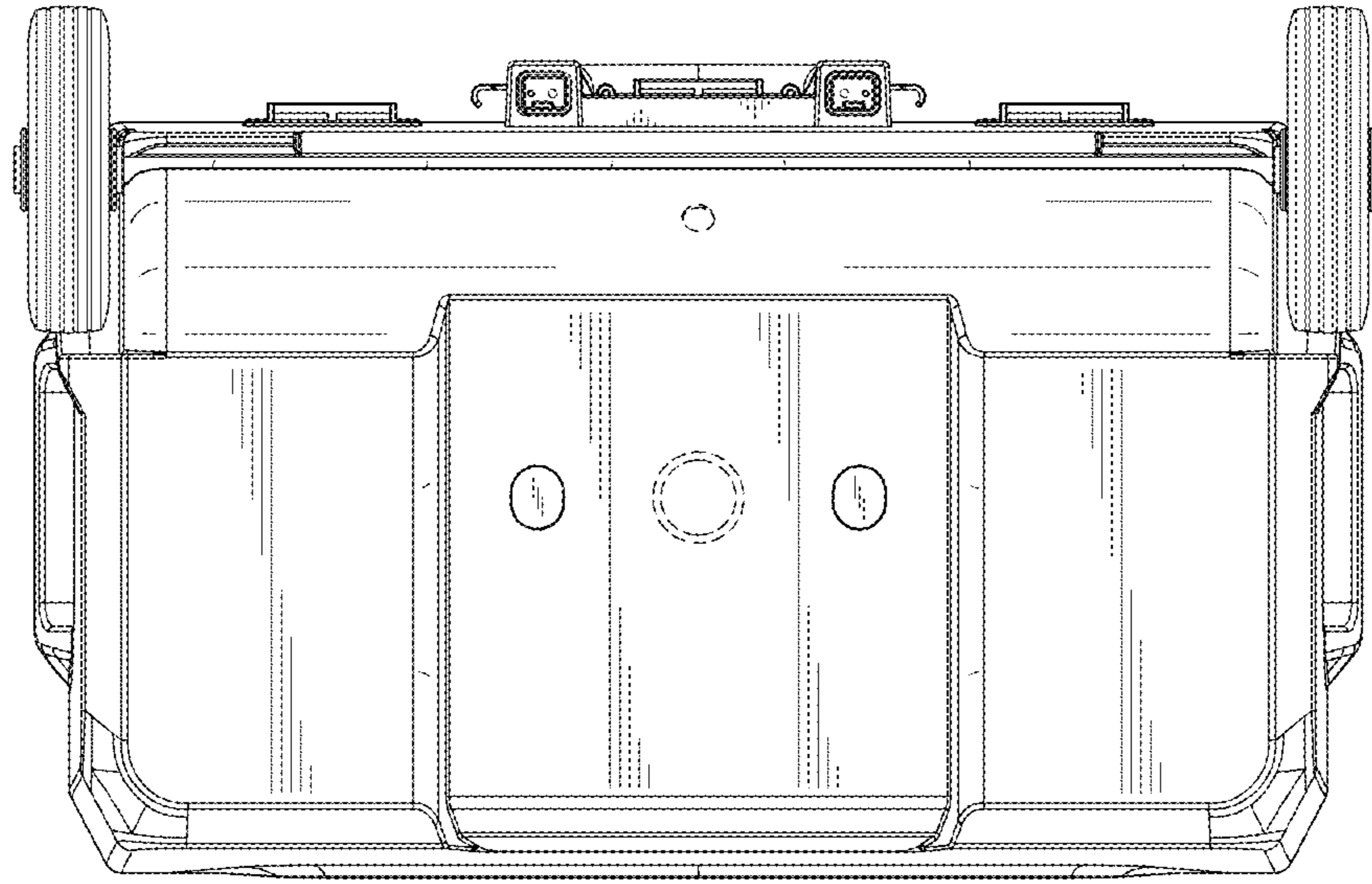


FIG. 7

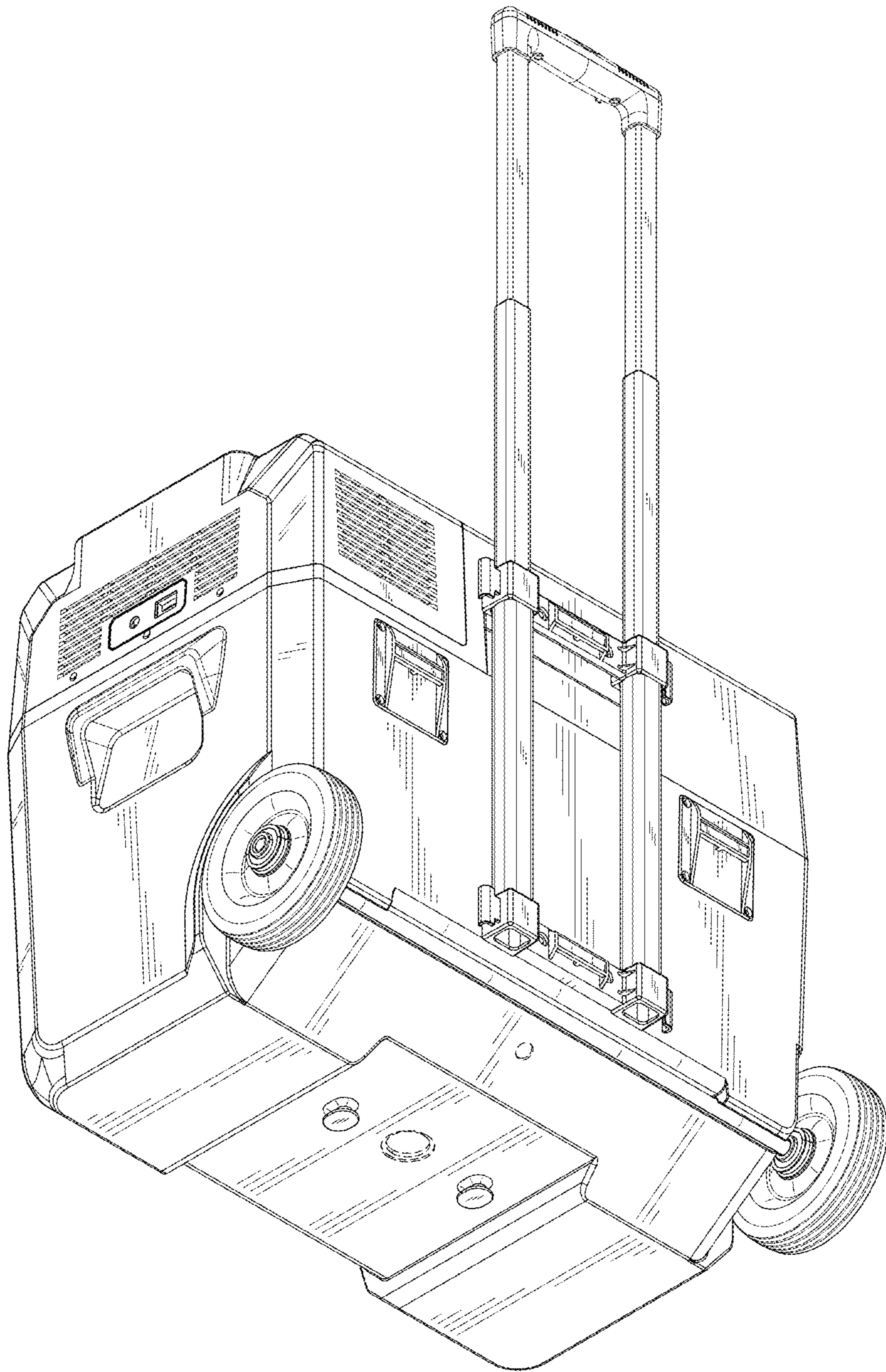


FIG. 8