



US00D922453S

(12) **United States Design Patent** (10) **Patent No.:** **US D922,453 S**
Rajopadhye et al. (45) **Date of Patent:** **** Jun. 15, 2021**

(54) **PANEL OF A HARVESTER**

(56) **References Cited**

(71) Applicant: **Deere & Company**, Moline, IL (US)

U.S. PATENT DOCUMENTS

(72) Inventors: **Dhananjay Rajopadhye**, Pune (IN);
Paul M. Richardel, Polk City, IA (US);
Paul J. McCredie, Bettendorf, IA (US);
Shantanu Acharya, Pune (IN); **Vivek**
Vedpathak, Pune (IN); **Felix Nagelin**,
Malibu, CA (US); **Tobias Adami**,
Munich (DE)

| | | | |
|--------------|---------|---------------|--------|
| 4,502,270 A | 3/1985 | Shupert | |
| D373,591 S * | 9/1996 | Von Allworden | D15/26 |
| D639,826 S * | 6/2011 | Barrelmeyer | D15/26 |
| D643,052 S * | 8/2011 | Hagele | D15/33 |
| D648,357 S * | 11/2011 | Hagele | D15/33 |
| D717,345 S * | 11/2014 | Budde | D15/26 |
| D736,271 S * | 8/2015 | Jacobsthal | D15/33 |
| D743,450 S * | 11/2015 | Claeys | D15/33 |

(Continued)

(73) Assignee: **DEERE & COMPANY**, Moline, IL
(US)

FOREIGN PATENT DOCUMENTS

(**) Term: **15 Years**

| | | |
|----|-------------|---------|
| CN | 302092321 S | 9/2012 |
| CN | 302220180 S | 12/2012 |

(21) Appl. No.: **29/724,299**

OTHER PUBLICATIONS

(22) Filed: **Feb. 13, 2020**

Deere & Company, Grain Harvesting Combines and Front End
Equipment, Brochure, Oct. 2018.

(Continued)

Related U.S. Application Data

Primary Examiner — Mark A Goodwin

(63) Continuation of application No. 29/712,598, filed on
Nov. 8, 2019.

(74) *Attorney, Agent, or Firm* — Klintworth & Rozenblat
IP LLP

(30) **Foreign Application Priority Data**

(57) **CLAIM**

May 9, 2019 (EM) 006437083

The ornamental design for a panel of a harvester, as shown
and described.

(51) **LOC (13) Cl.** **15-03**

DESCRIPTION

(52) **U.S. Cl.**

USPC **D15/33**

(58) **Field of Classification Search**

USPC D15/10–12, 22–26, 28; 56/14.5–14.7,
56/16.6, 122–125

CPC A01B 73/00; A01D 75/00; A01D 41/06;

A01D 41/1208; A01D 41/00; A01D

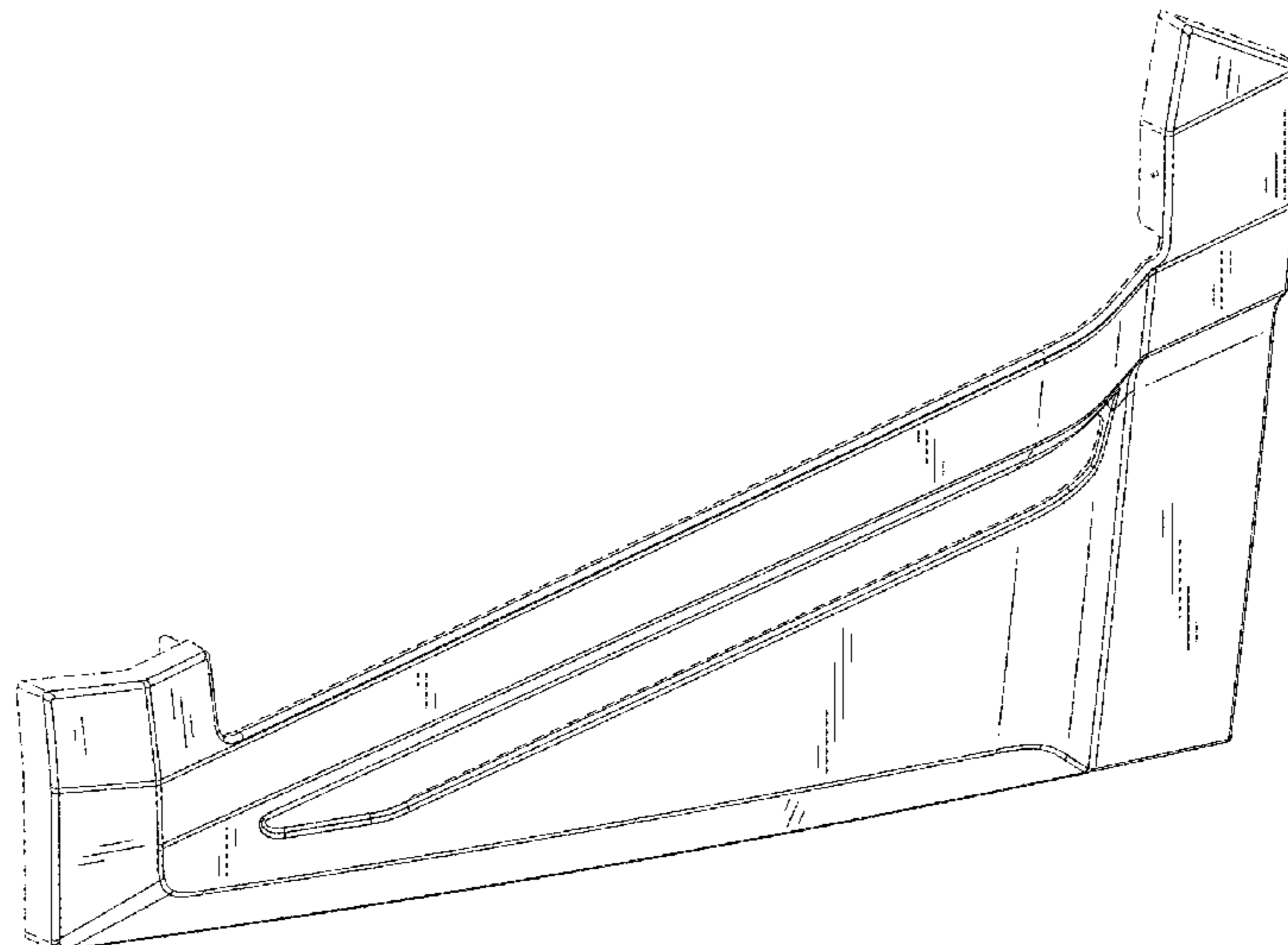
67/00; A01D 45/00; A01D 45/02; A01D

45/021; A01D 43/081

See application file for complete search history.

FIG. 1 is a perspective view of a panel of a harvester
according to our new design;
FIG. 2 is a first side elevational view thereof;
FIG. 3 is a second side elevational view thereof;
FIG. 4 is a first end elevational view thereof;
FIG. 5 is a second end elevational view thereof;
FIG. 6 is a first plan view thereof; and,
FIG. 7 is a second plan view thereof.
The dashed lines depict environment subject matter that
forms no part of the claimed design.

1 Claim, 5 Drawing Sheets



(56)

References Cited

U.S. PATENT DOCUMENTS

D746,342 S * 12/2015 Jacobsthal D15/33
D794,086 S * 8/2017 Thompson D15/26
D826,994 S * 8/2018 De Smet D15/26
D879,843 S * 3/2020 Gonzales D15/33
D880,539 S * 4/2020 Depoorter D15/33
2017/0086374 A1 3/2017 Engel

OTHER PUBLICATIONS

Claas of America, Improves Profitability with Increasing Revenue, Google Search, <https://www.serbia.claas.com/news-testimonials/current/claas-news/claas-improves-profitability-with-increasing-revenue-/1904264>, 2019.

Claas of America, photograph of header, 2017.

New Holland, Overview—Corn Heads Leading From The Front, Combines & Headers, <https://agriculture.newholland.com/nar/en-us/equipment/products/combines-and-headers/corn-heads>, 2019.

Macdon Industries LTD, D65 Draper Header, Draper Headers for Combine, <https://www.macdon.com/en/products/d65-draper-headers-for-combine/>, 2019.

New Holland, Draper Heads—Overview Combines & Headers New Holland (US) NHAG, <https://agriculture.newholland.com/nar/en-us/equipment/products/combines-and-headers/draper-heads>, 2019.

Case IH, Draper Heads Combine Harvester, Case IH 3100 Series II Draper Heads, <https://www.caseih.com/northamerica/en-us/products/harvesting/draper-heads>, Copyright 2020.

Massey Ferguson, 9250 DynaFlex Draper Header, <http://www.masseyferguson.us/products/combine-harvesting/9250-dynaflex-draper-headers.html#0>, Copyright 2020.

* cited by examiner

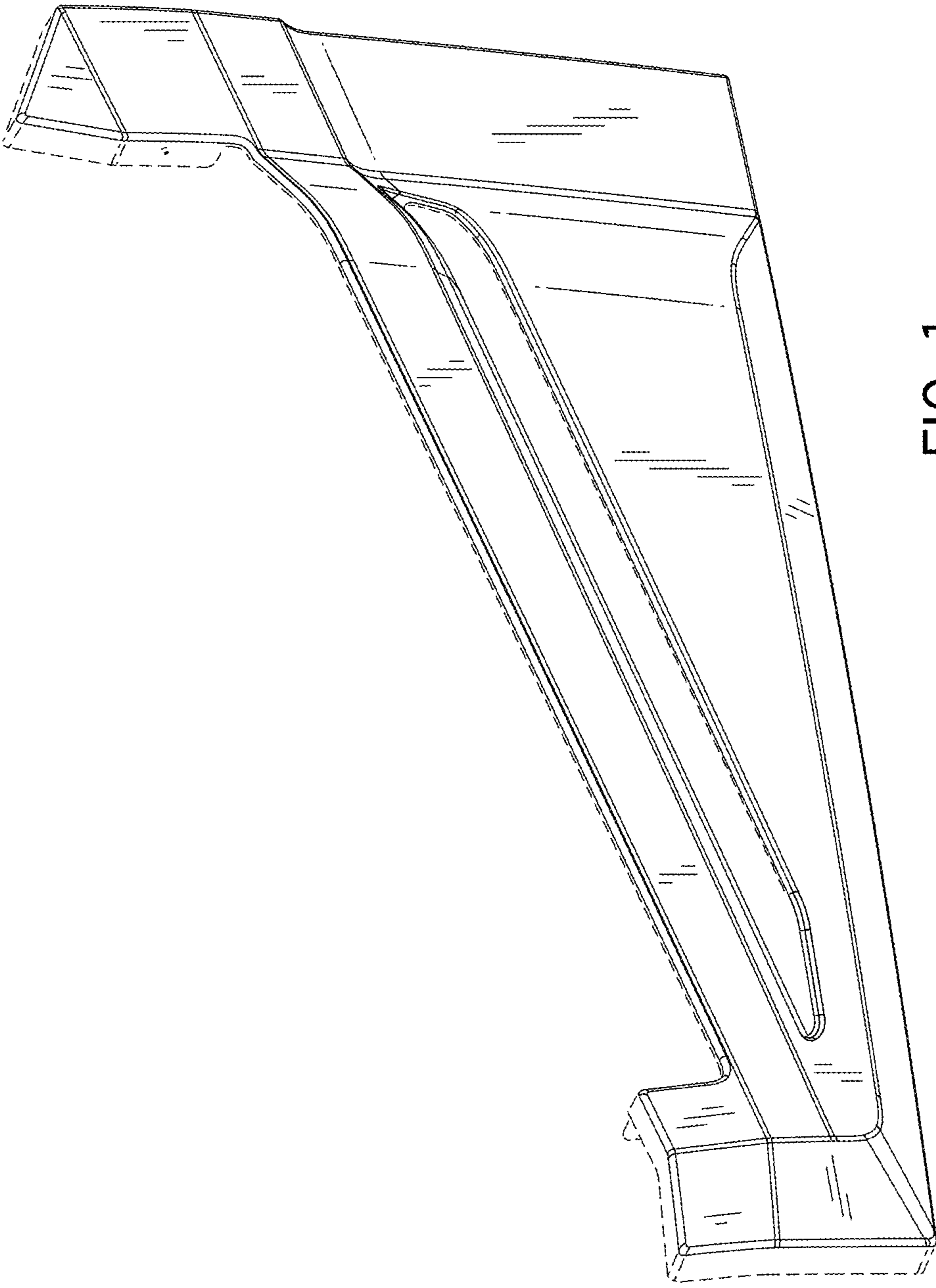


FIG. 1

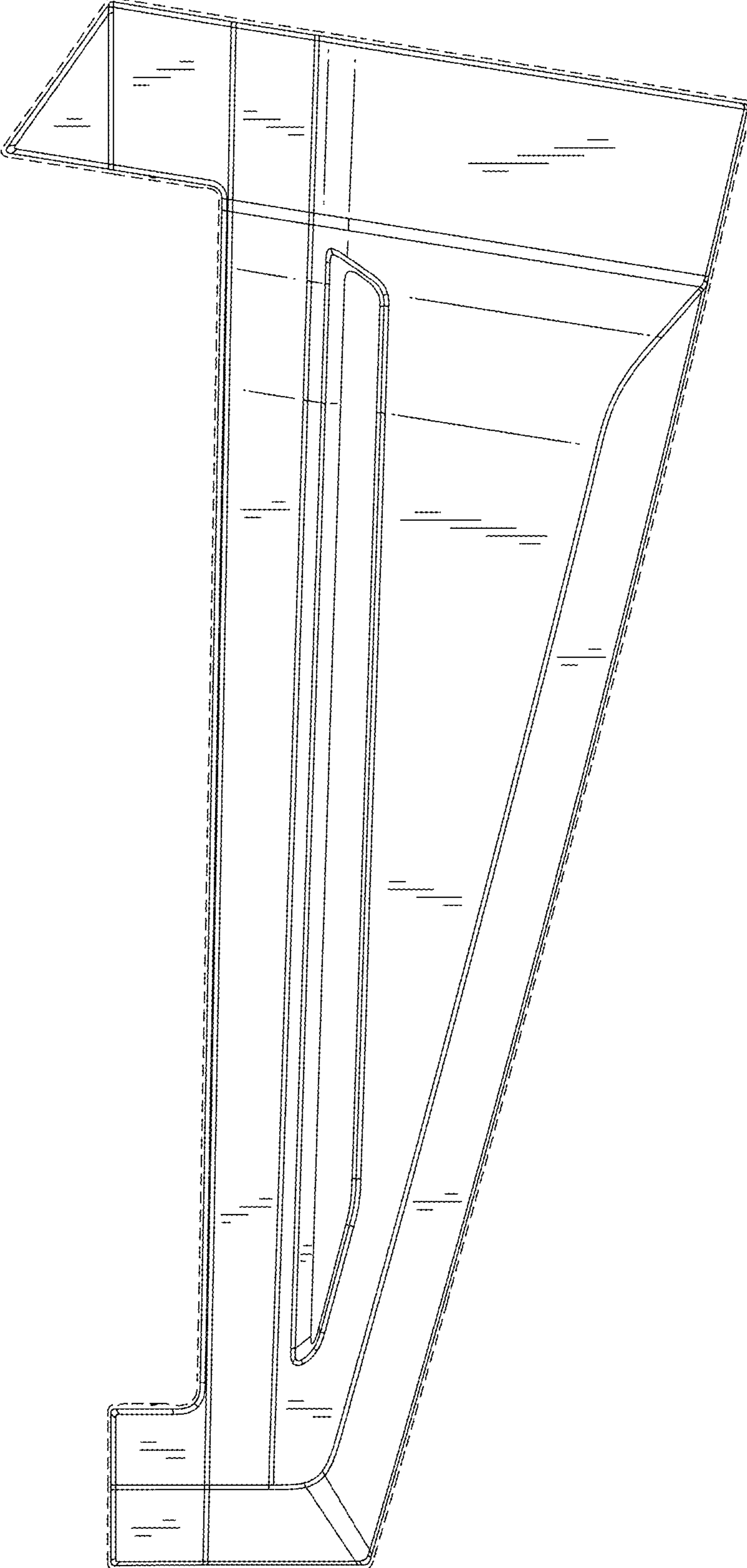


FIG. 2

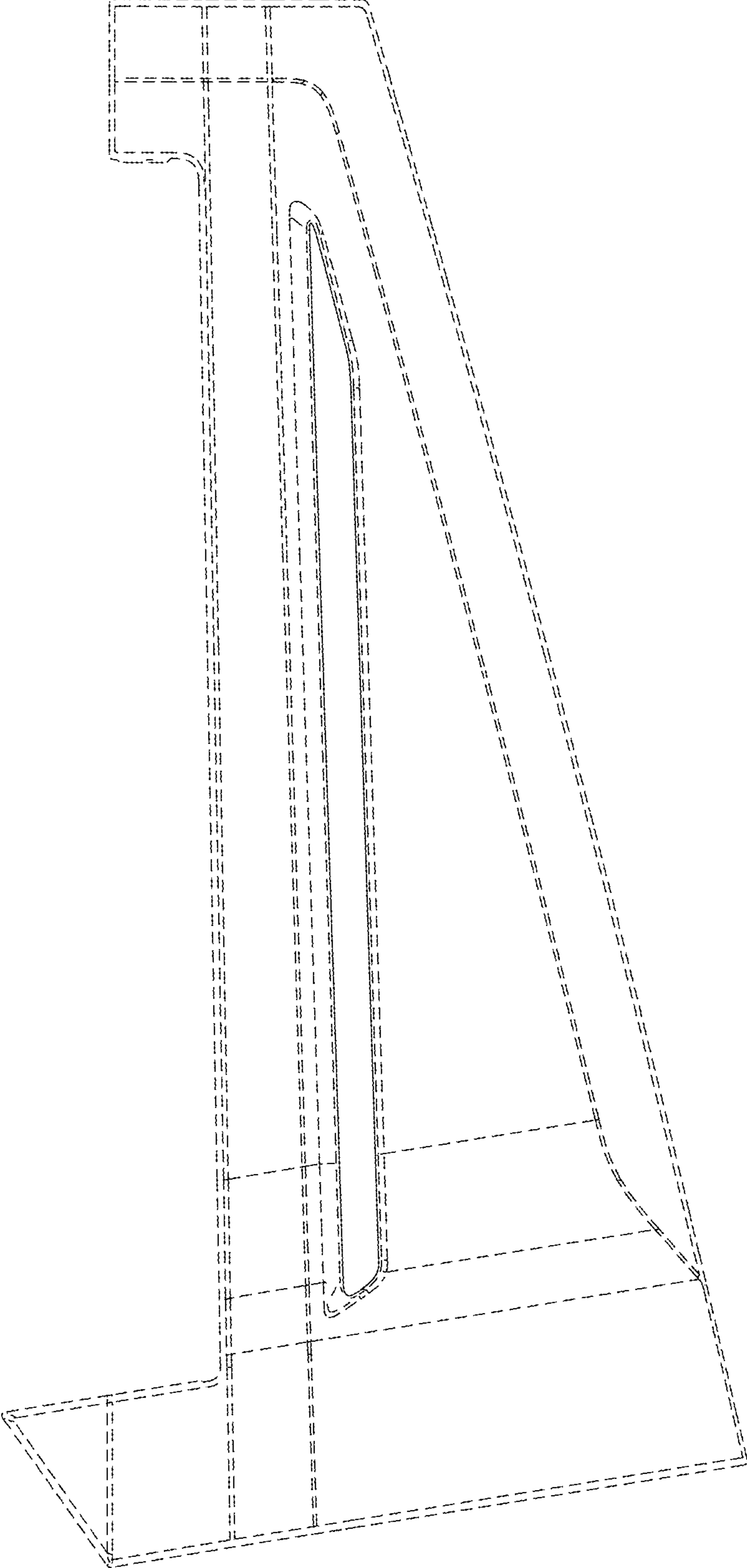


FIG. 3

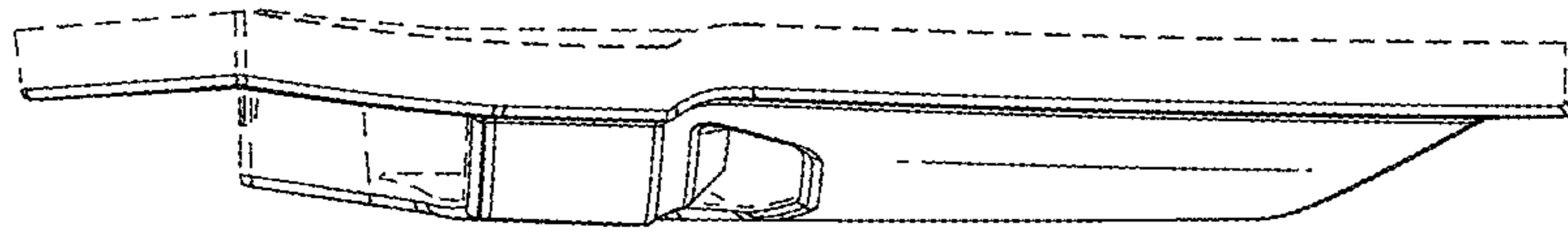


FIG. 5

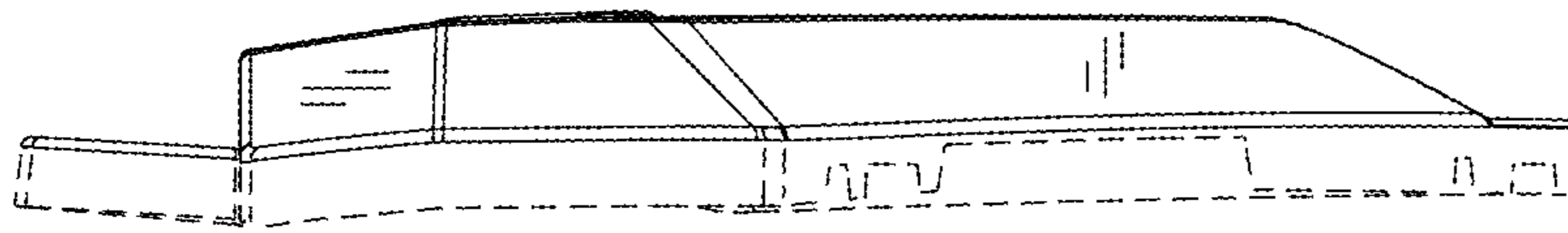


FIG. 4

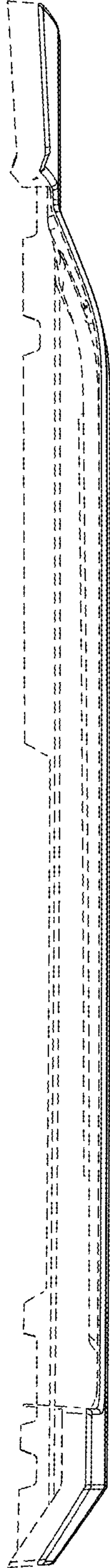


FIG. 6

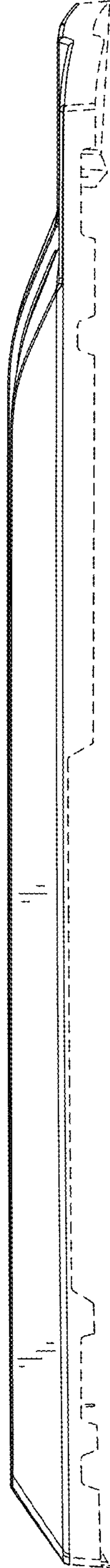


FIG. 7