



US00D922449S

(12) **United States Design Patent**
Okuyama et al.

(10) **Patent No.:** **US D922,449 S**

(45) **Date of Patent:** **** Jun. 15, 2021**

(54) **MACHINERY PANELS**

(71) Applicant: **Yanmar Co., Ltd.**, Osaka (JP)

(72) Inventors: **Kiyoyuki Okuyama**, Yamagata (JP);
Shogo Otomo, Osaka (JP); **Keiichi Nishihara**, Chikugo (JP); **Yoshihiro Hayami**, Chikugo (JP); **Yoshihito Hayama**, Chikugo (JP)

(73) Assignee: **YANMAR POWER TECHNOLOGY CO., LTD.**, Osaka (JP)

(**) Term: **15 Years**

(21) Appl. No.: **29/716,360**

(22) Filed: **Dec. 9, 2019**

(30) **Foreign Application Priority Data**

Jun. 10, 2019 (JP) 2019-012667

(51) **LOC (13) Cl.** **15-03**

(52) **U.S. Cl.**
USPC **D15/28**

(58) **Field of Classification Search**
USPC D15/10, 22-26, 28, 30, 31, 33
CPC .. E02F 9/0866; E02F 9/18; E02F 3/32; F01N 13/001; F01N 2590/08
See application file for complete search history.

(56) **References Cited**

U.S. PATENT DOCUMENTS

D559,279 S * 1/2008 Sakitani D15/28
D582,947 S * 12/2008 Ueta D15/28
D587,285 S * 2/2009 Murakami D15/28

(Continued)

Primary Examiner — Mark A Goodwin

(74) *Attorney, Agent, or Firm* — Norton Rose Fulbright US LLP

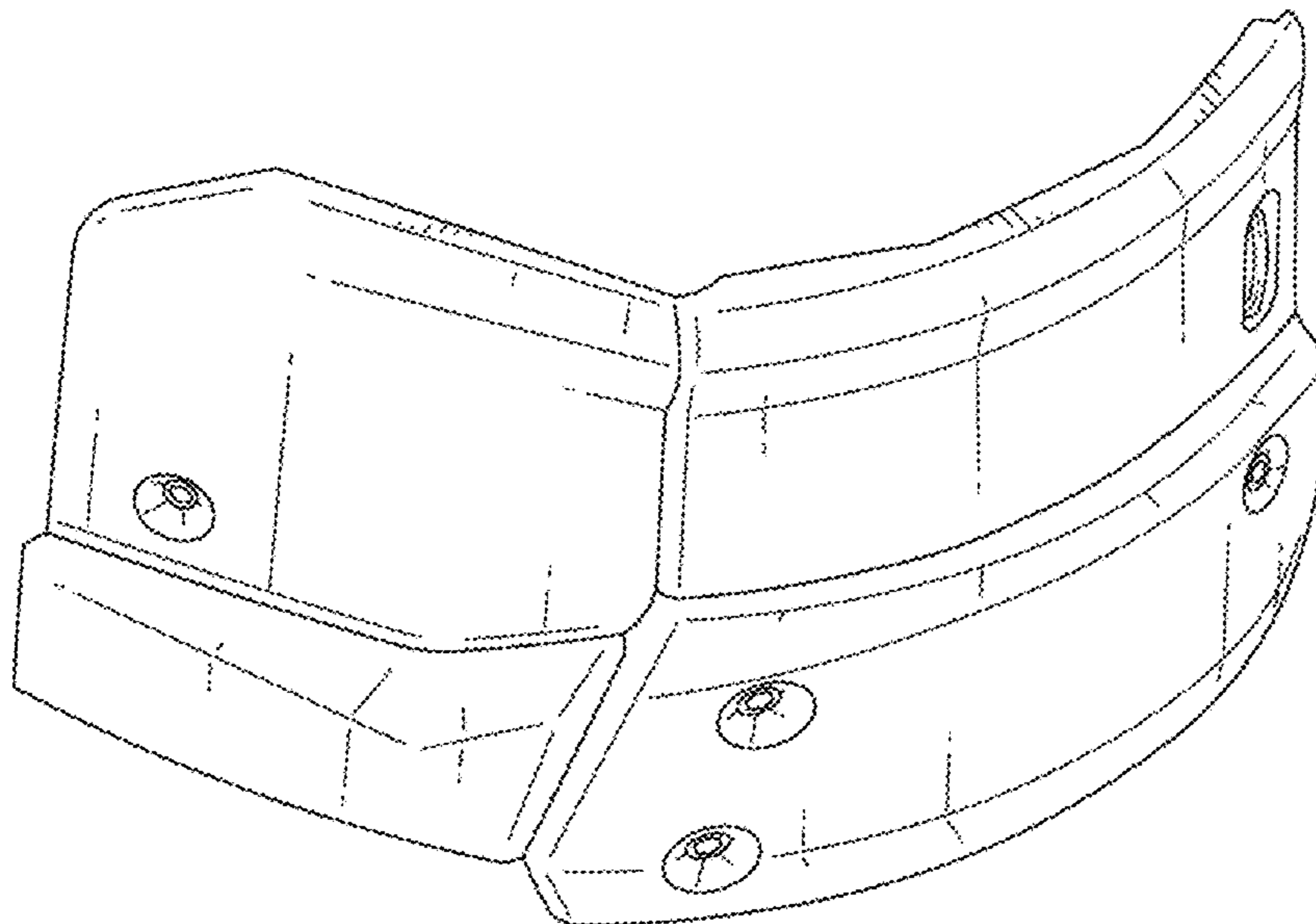
(57) **CLAIM**

The ornamental design for machinery panels, as shown and described.

DESCRIPTION

FIG. 1 is a front elevational view of machinery panels showing our new design mounted to a backhoe;
FIG. 2 is a rear elevational view of the machinery panels shown mounted to a backhoe;
FIG. 3 is a right side elevational view of the machinery panels shown mounted to a backhoe;
FIG. 4 is a left side elevational view of the machinery panels shown mounted to a backhoe;
FIG. 5 is a top plan view of the machinery panels shown mounted to a backhoe;
FIG. 6 is a bottom plan view of the machinery panels shown mounted to a backhoe;
FIG. 7 is a top, rear, right side perspective view of the machinery panels shown mounted to a backhoe;
FIG. 8 is a front elevational view of the machinery panels;
FIG. 9 is a rear elevational view of the machinery panels;
FIG. 10 is a right side elevational view of the machinery panels;
FIG. 11 is a left side elevational view of the machinery panels;
FIG. 12 is a top plan view of the machinery panels;
FIG. 13 is a bottom plan view of the machinery panels; and, FIG. 14 is a perspective view thereof, taken from the top, rear and right side of the machinery panels.
The broken line showing of the backhoe in FIGS. 1-7 is included for the purpose of illustrating environmental use only and forms no part of the claimed design. The broken lines showing in FIGS. 8, and 10-13 is included for the purpose of illustrating hidden portions of the machinery panels only and forms no part of the claimed design. The surface is lined for contour only, and no claim is made to a particular texture. No claim is made to portions not shown in the drawings.

1 Claim, 12 Drawing Sheets



(56)

References Cited

U.S. PATENT DOCUMENTS

D678,358	S	*	3/2013	Hiraoka	D15/28
D678,359	S	*	3/2013	Hagura	D15/28
D680,136	S	*	4/2013	Tsukamoto	D15/28
D725,683	S	*	3/2015	Payne	D15/31
D727,370	S	*	4/2015	Payne	D15/31
D728,638	S	*	5/2015	Payne	D15/31
D728,639	S	*	5/2015	Payne	D15/31
D749,150	S	*	2/2016	Payne	D15/31
D767,644	S	*	9/2016	Underhill	D15/28
D791,843	S	*	7/2017	Hashimoto	D15/28
D792,480	S	*	7/2017	Hashimoto	D15/28
D797,814	S	*	9/2017	Hashimoto	D15/28
D806,137	S	*	12/2017	Hashimoto	D15/25
D823,350	S	*	7/2018	Jilbert	D15/30
D823,351	S	*	7/2018	Jilbert	D15/30
D823,352	S	*	7/2018	Jilbert	D15/30
D823,353	S	*	7/2018	Jilbert	D15/30
D823,354	S	*	7/2018	Jilbert	D15/30
D823,355	S	*	7/2018	Jilbert	D15/30
D823,904	S	*	7/2018	Jilbert	D15/30
D824,431	S	*	7/2018	Jilbert	D15/30

* cited by examiner

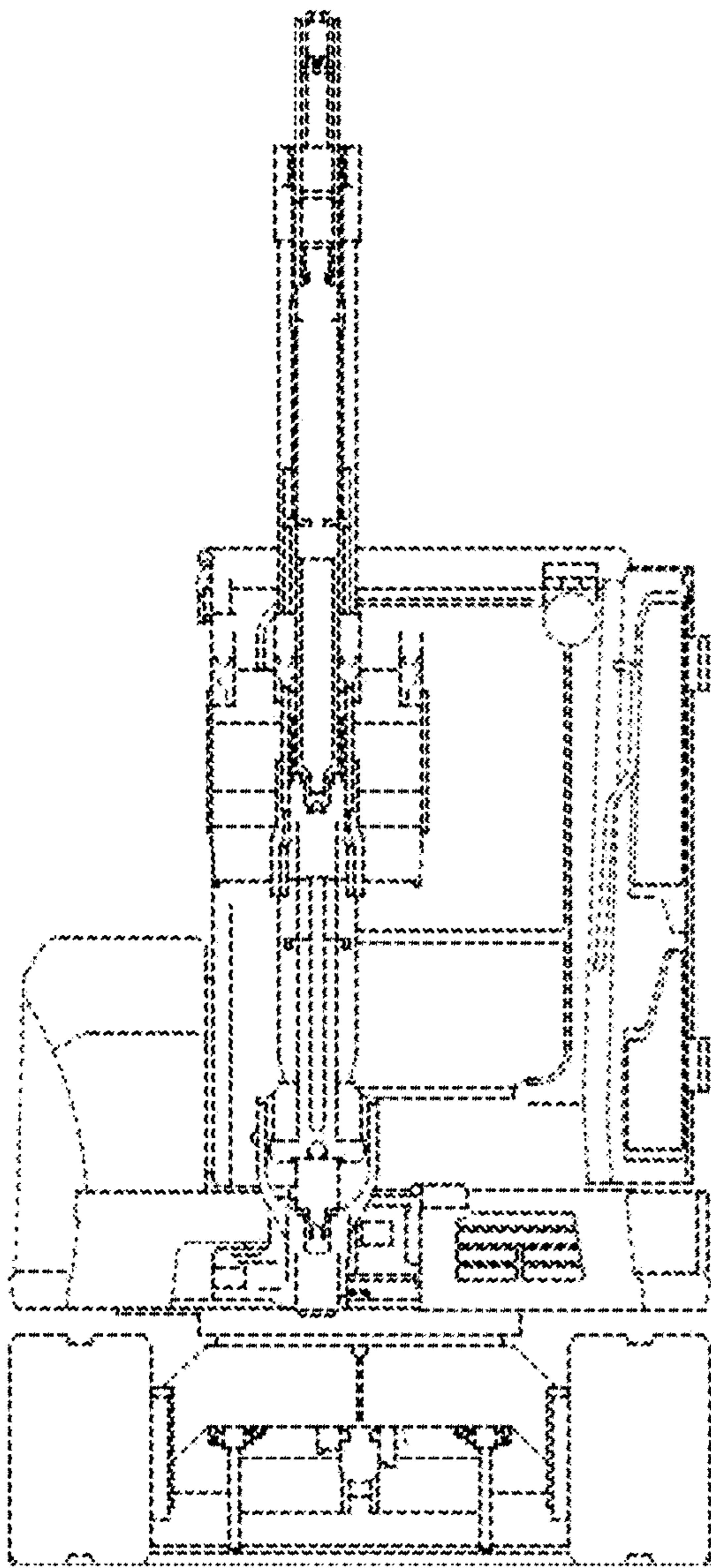


FIG. 1

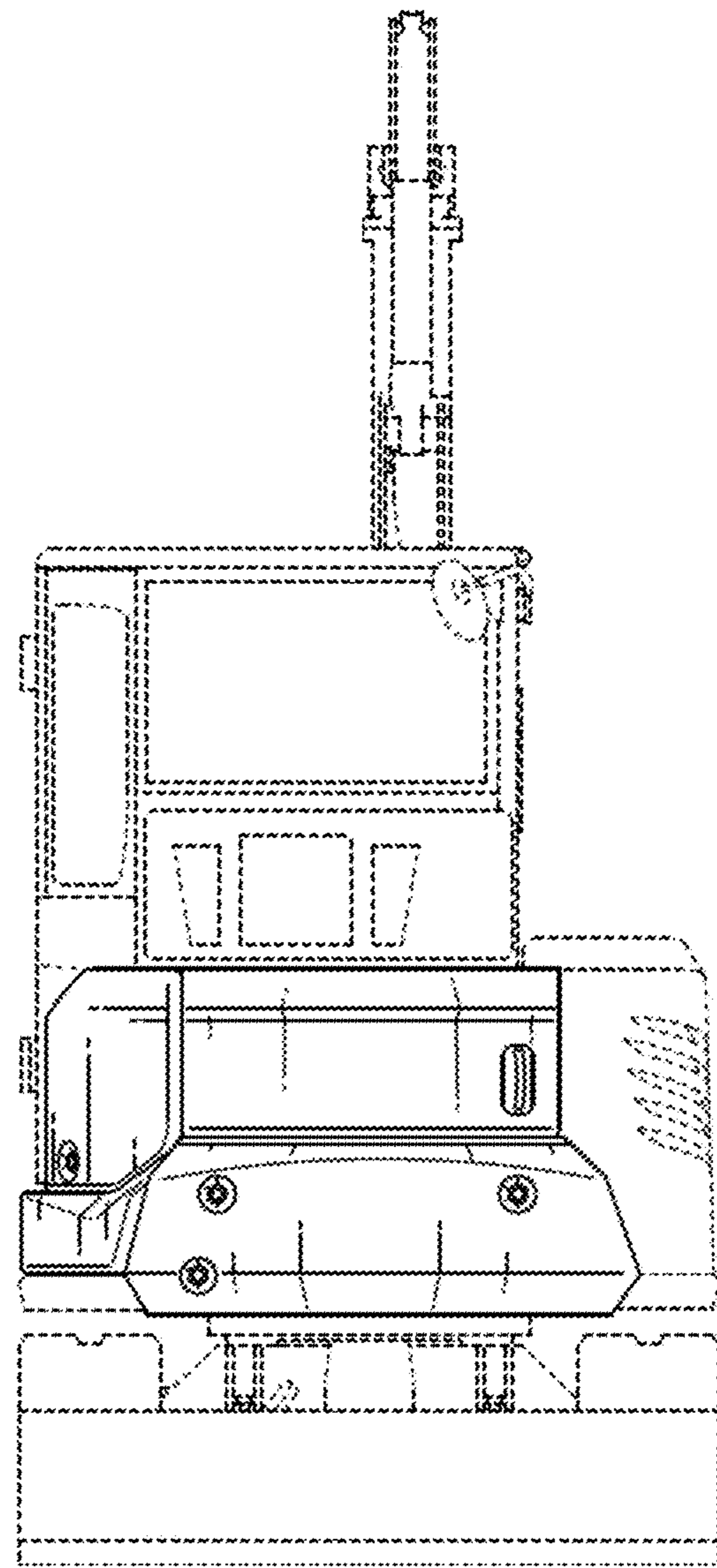


FIG. 2

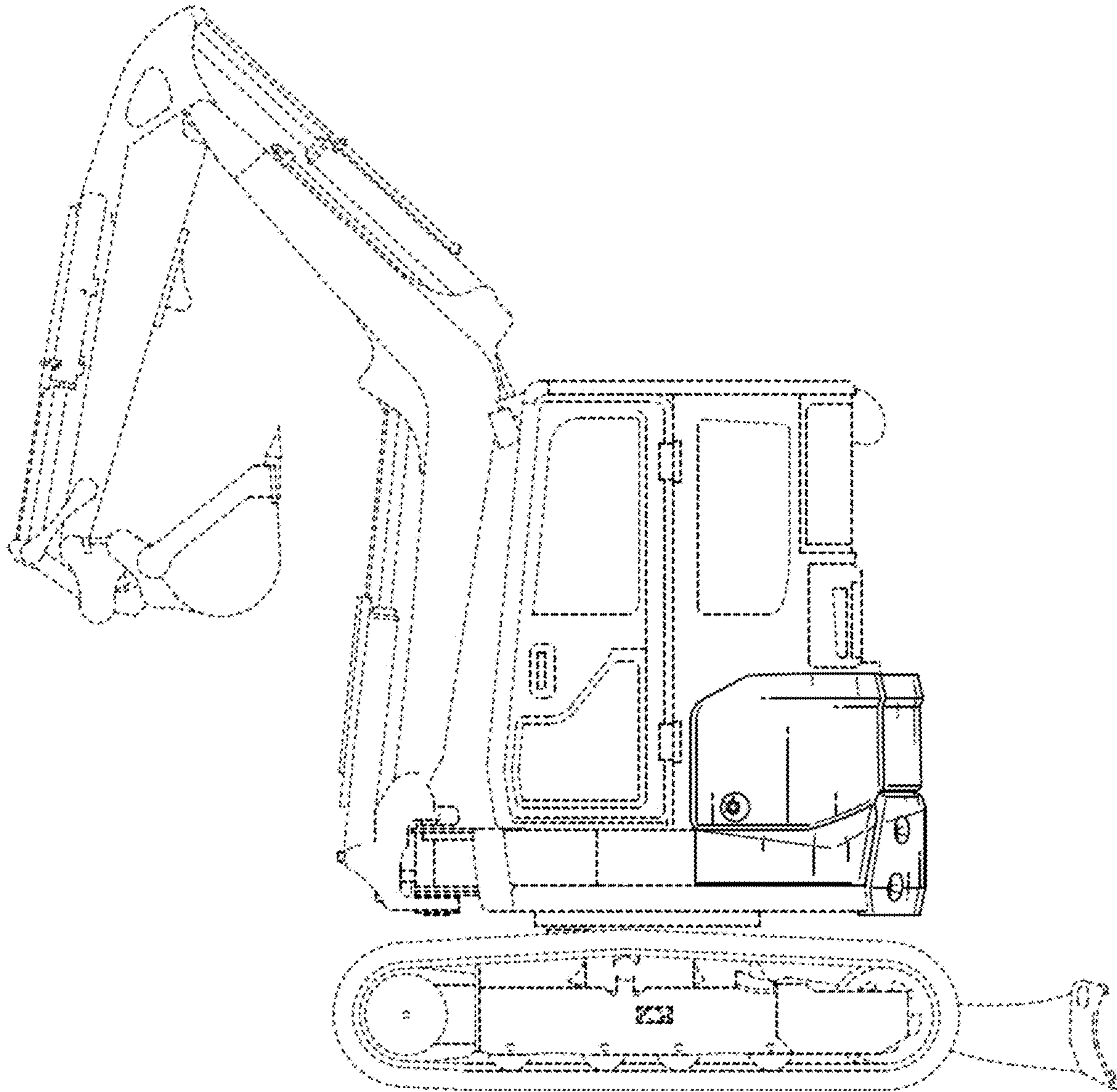


FIG. 3

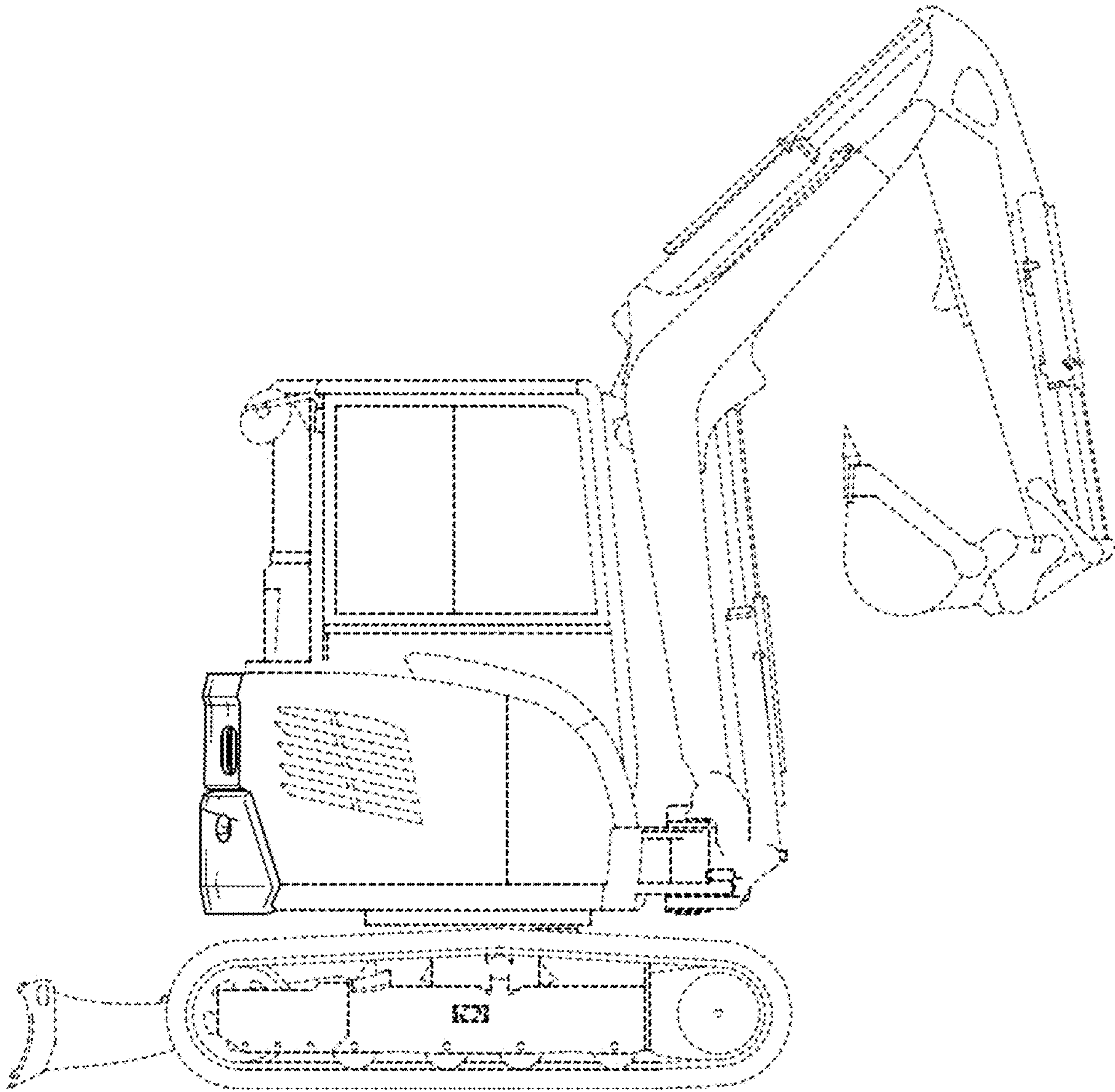


FIG. 4

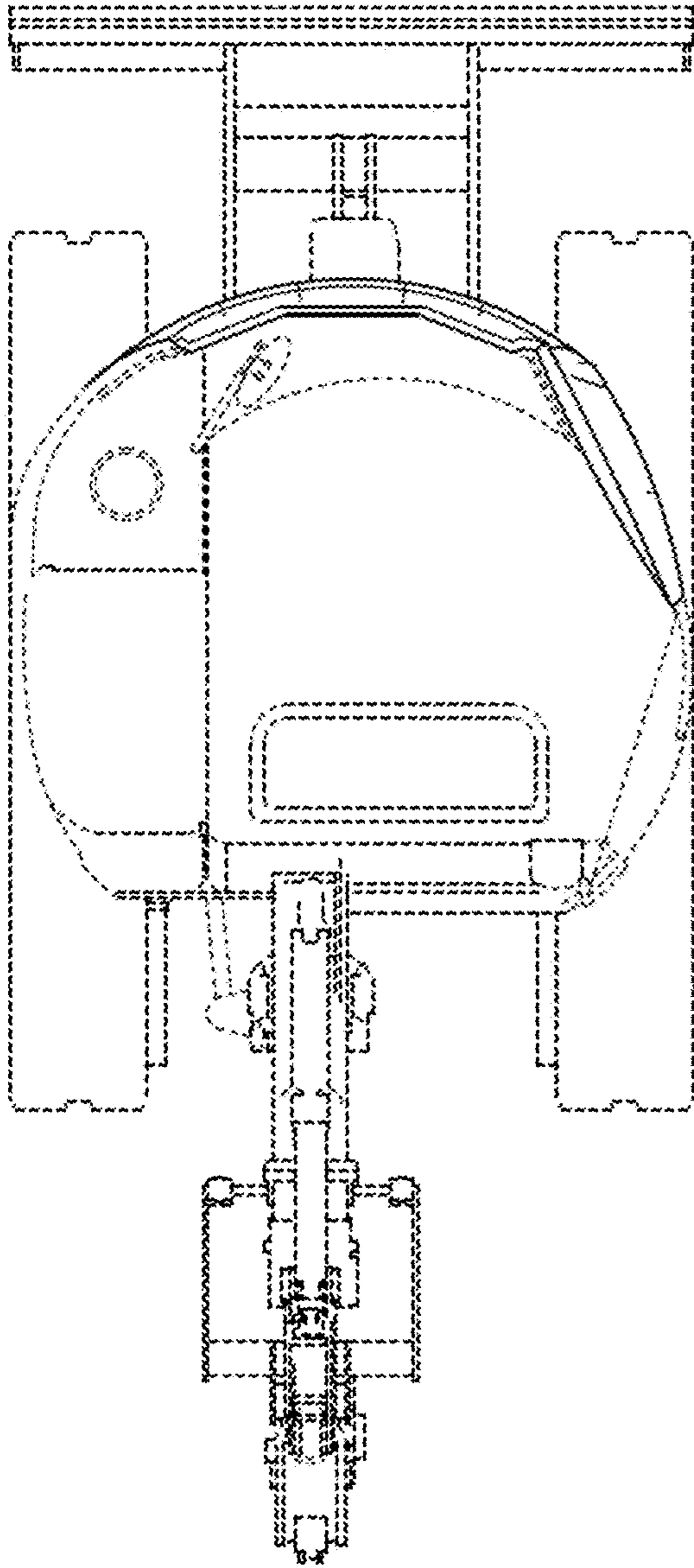


FIG. 5

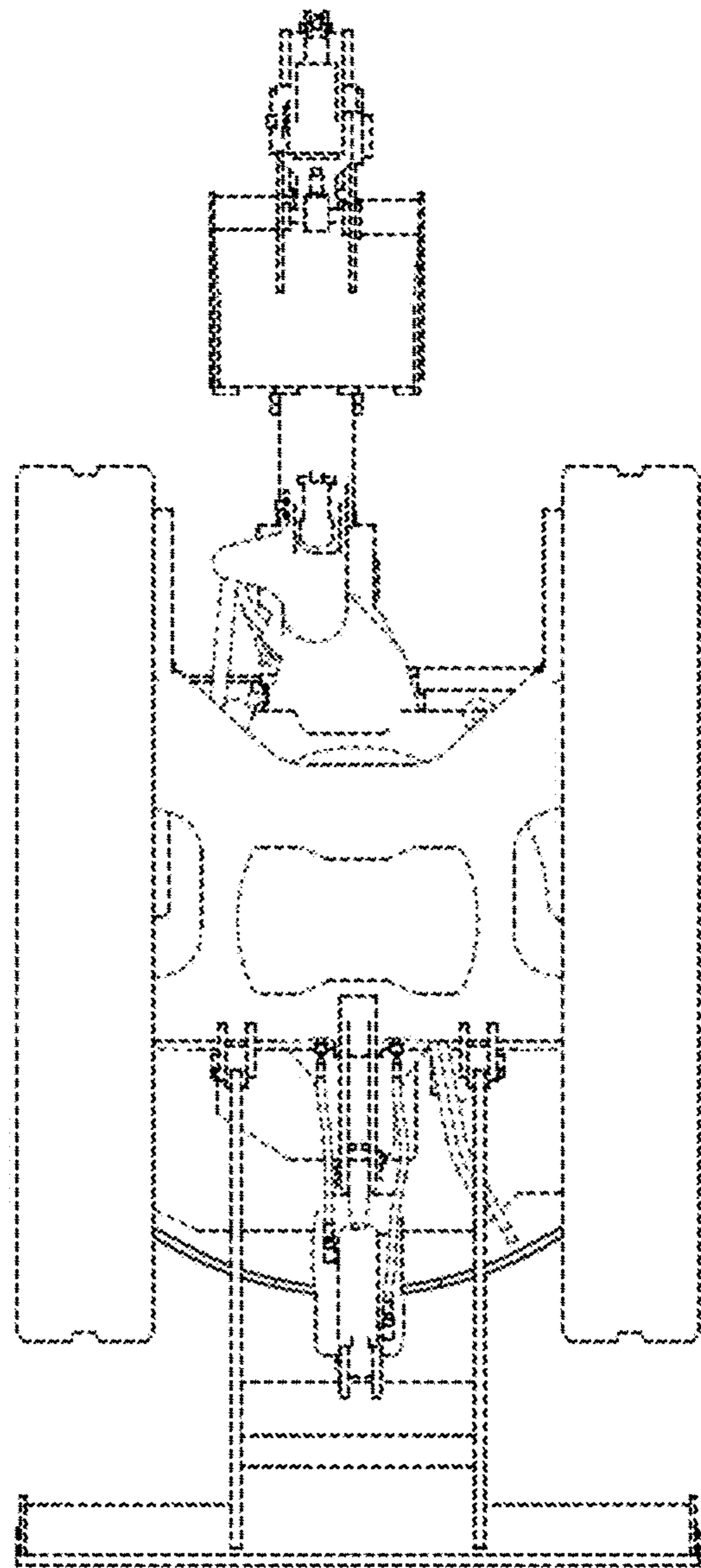


FIG. 6

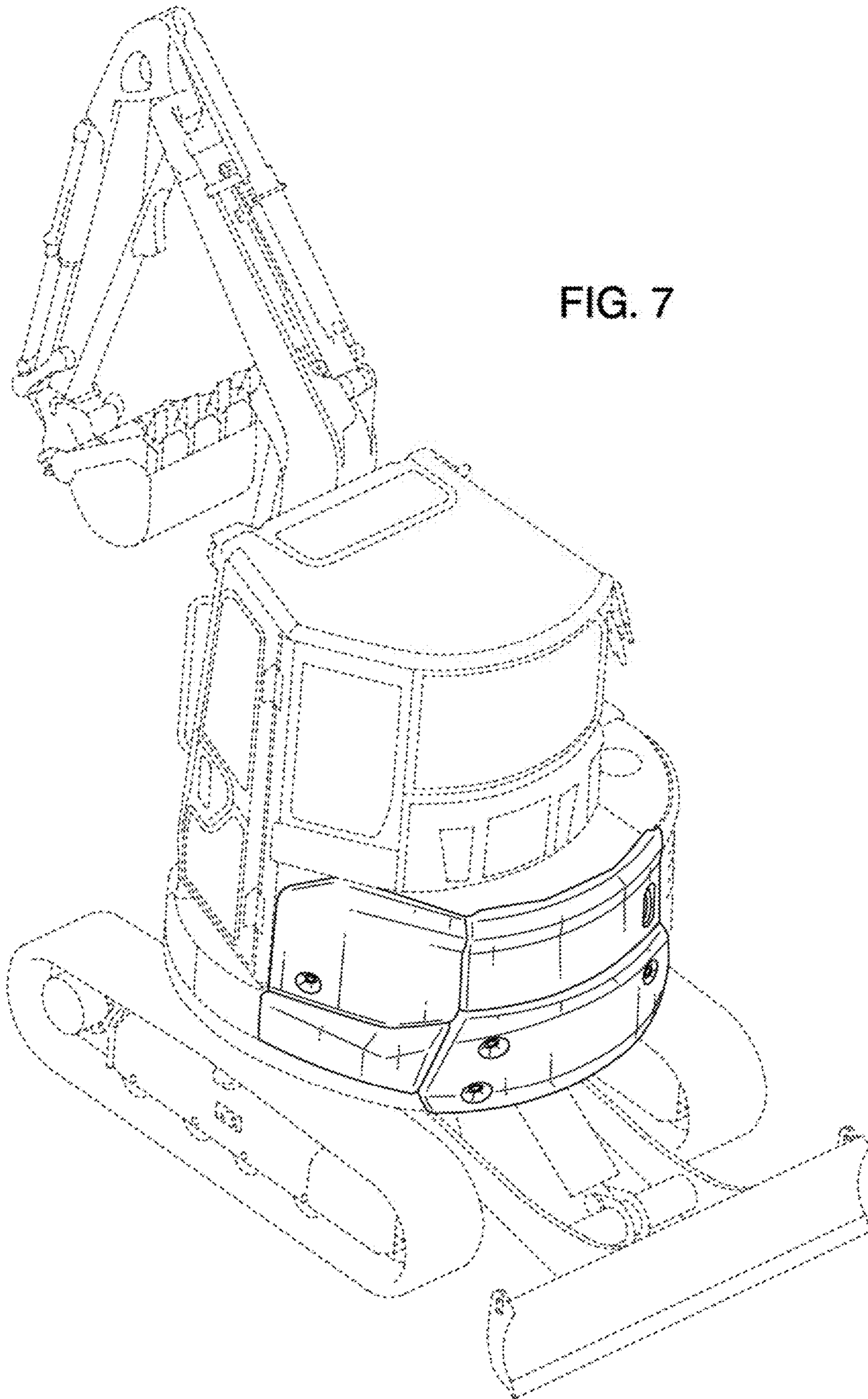


FIG. 7



FIG. 8

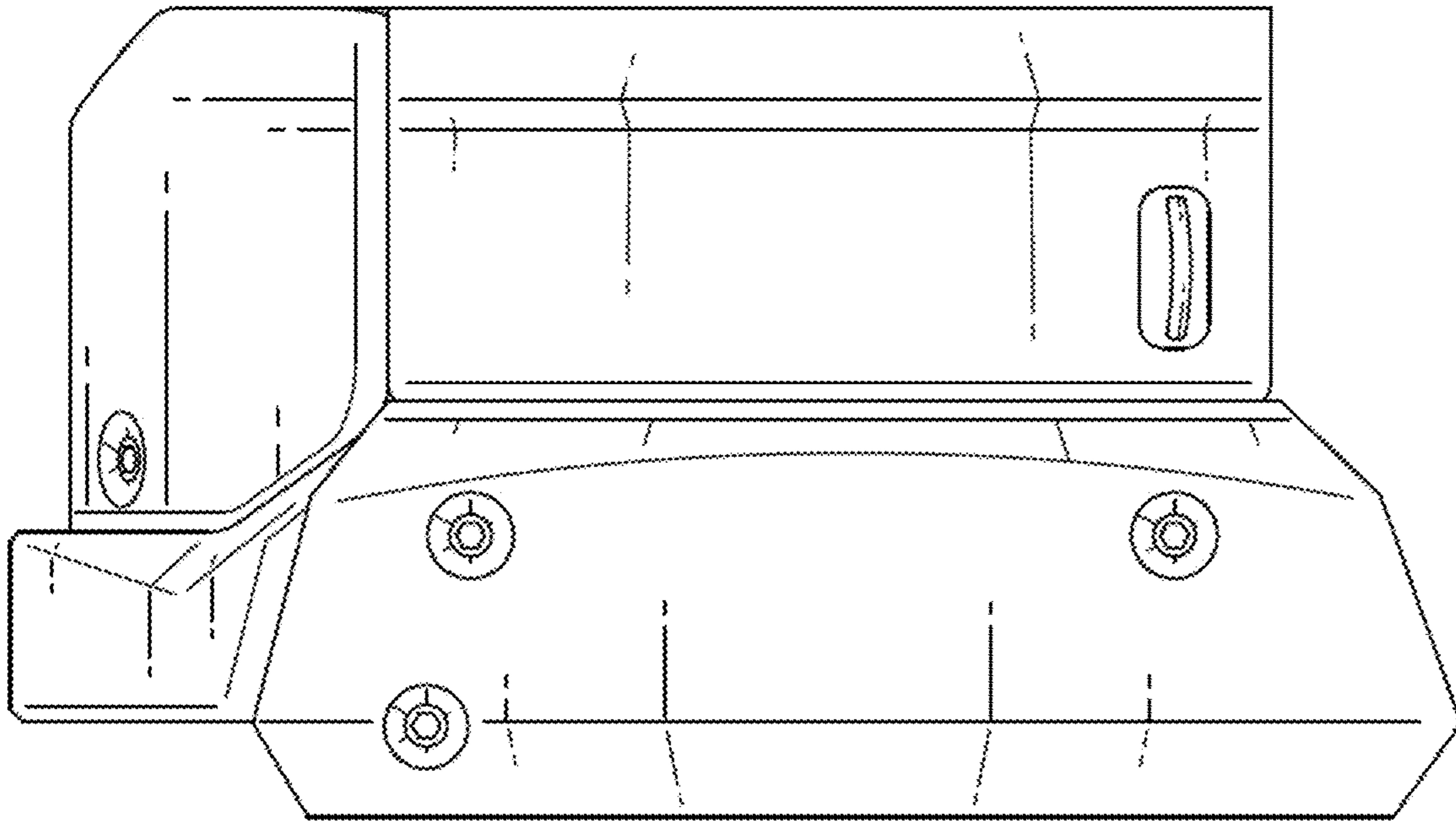


FIG. 9

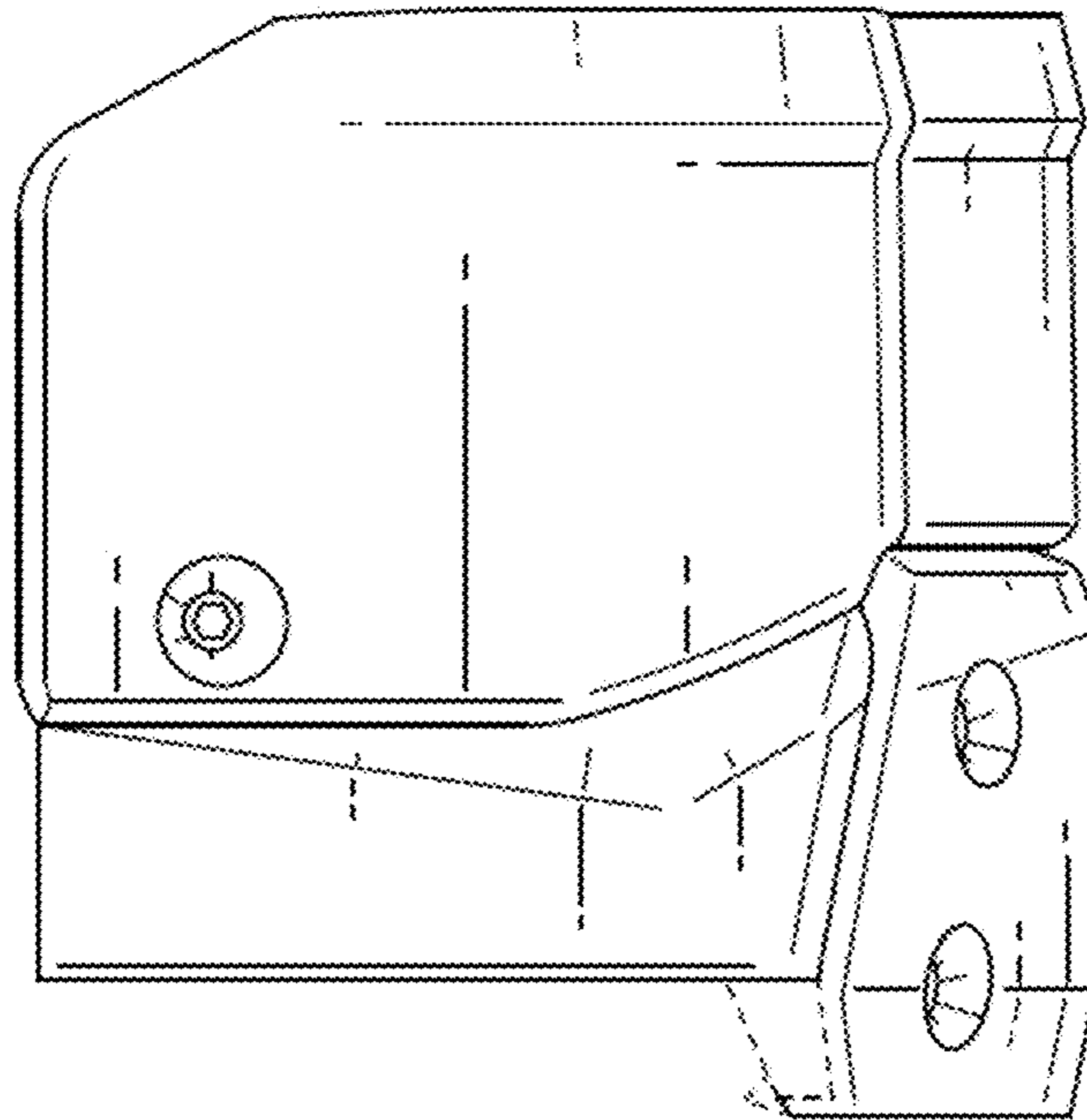


FIG. 10

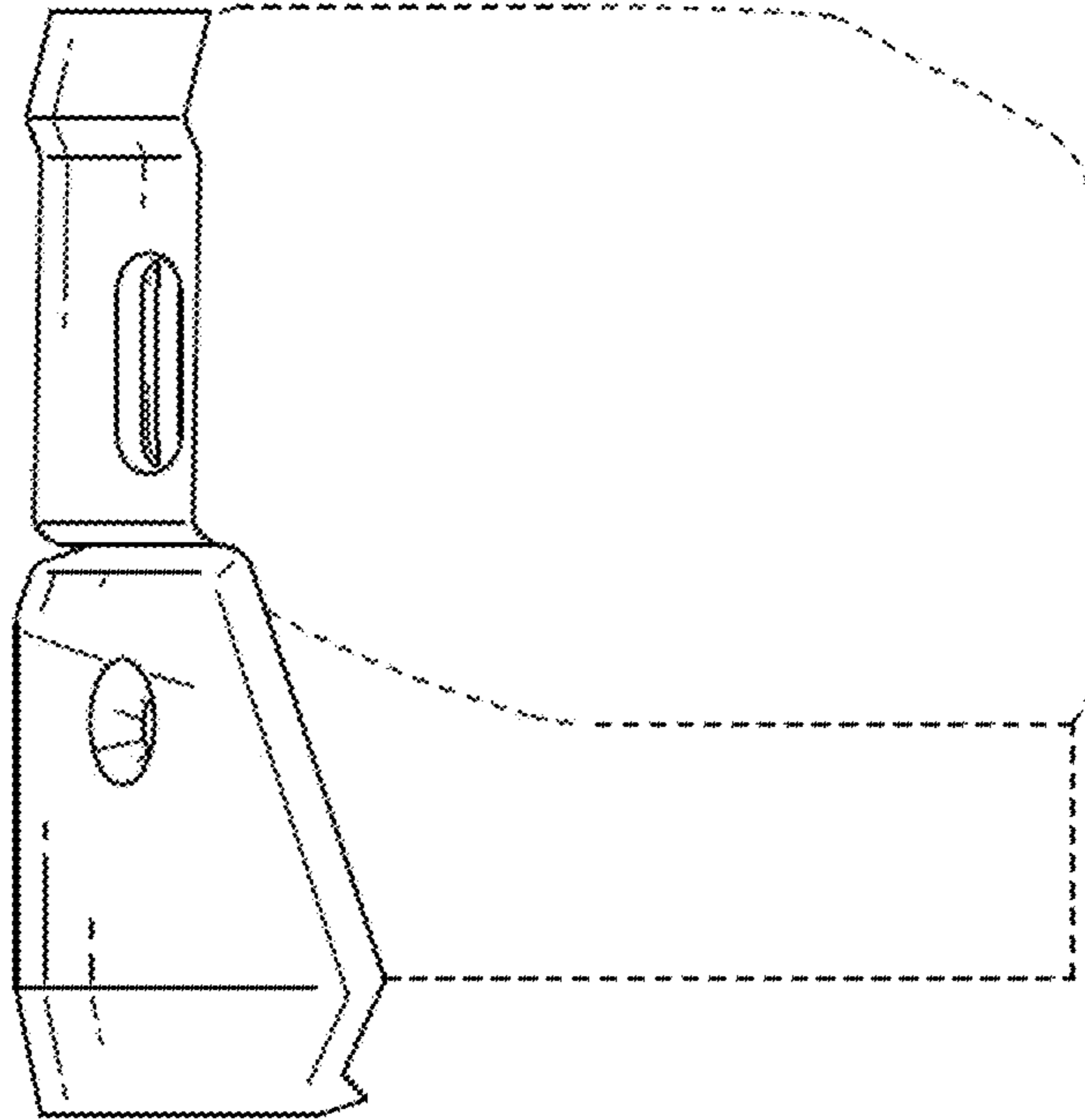


FIG. 11

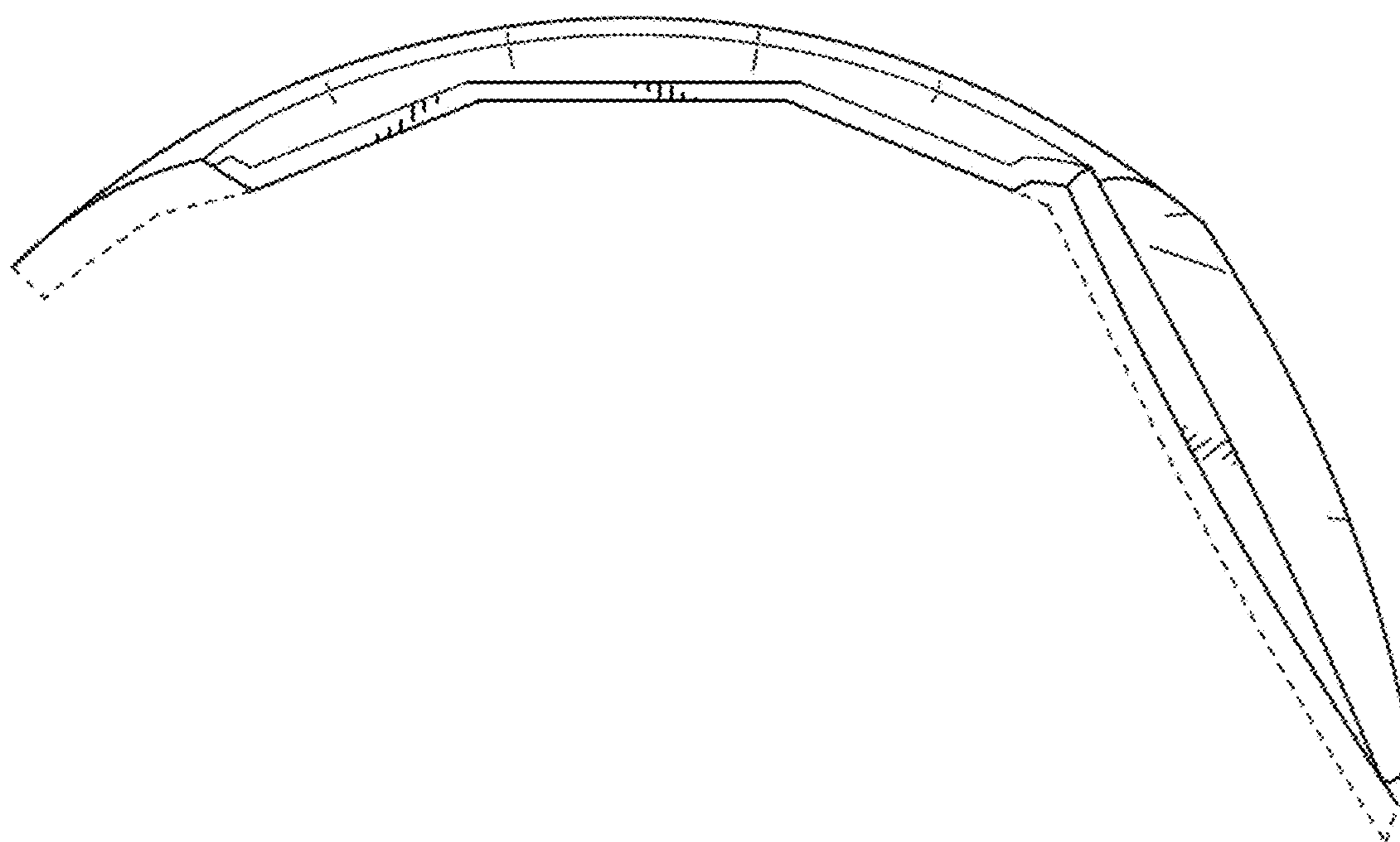


FIG. 12

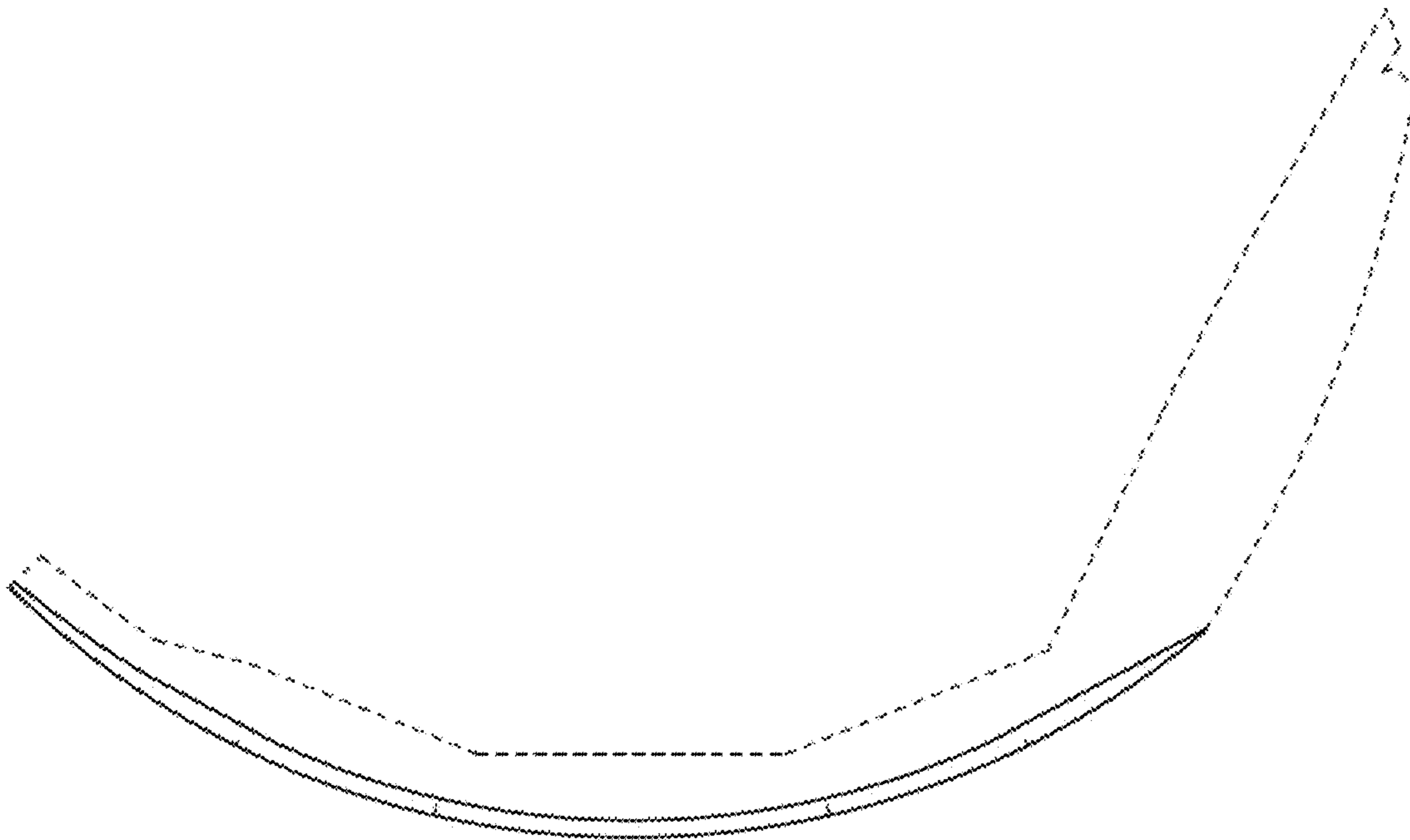


FIG. 13

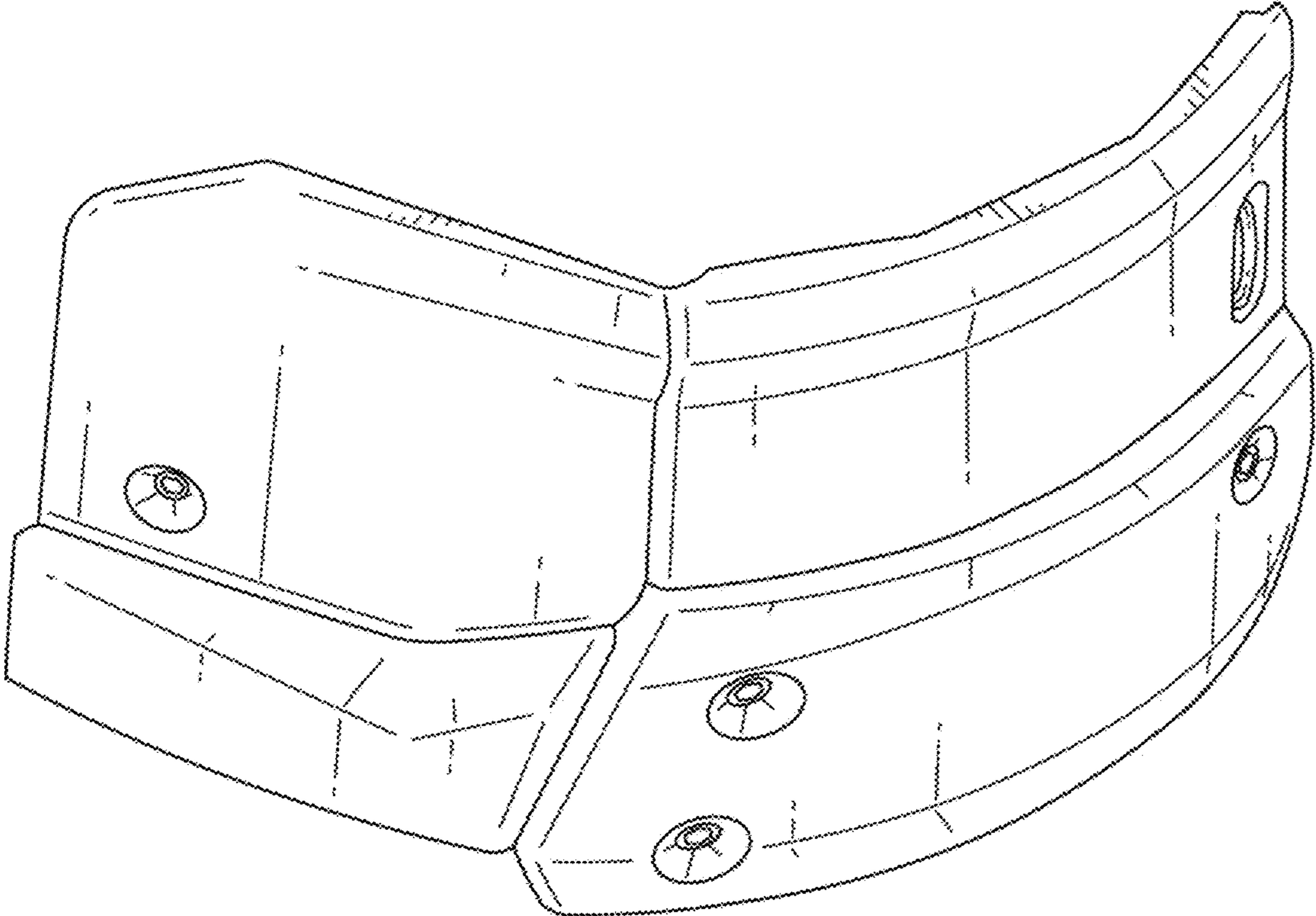


FIG. 14