



US00D922447S

(12) **United States Design Patent** (10) **Patent No.:** **US D922,447 S**
Bjerke et al. (45) **Date of Patent:** **** Jun. 15, 2021**

(54) **RETENTION COMPONENT**
(71) Applicant: **CATERPILLAR INC.**, Deerfield, IL (US)
(72) Inventors: **Nathan Bjerke**, Peoria, IL (US); **Scott A. Schick**, Morton, IL (US); **Thomas M. Congdon**, Dunlap, IL (US)

5,937,550 A 8/1999 Emrich
6,202,327 B1 * 3/2001 Fuller E01H 5/12
37/220
6,209,238 B1 4/2001 Ruvang
6,240,663 B1 6/2001 Robinson
(Continued)

(73) Assignee: **Caterpillar Inc.**, Peoria, IL (US)
(**) Term: **15 Years**

FOREIGN PATENT DOCUMENTS

WO WO 2012-016251 2/2012
WO WO 2013-122561 8/2013
WO WO 2016-135360 9/2016

(21) Appl. No.: **29/669,147**
(22) Filed: **Nov. 6, 2018**
(51) **LOC (13) Cl.** **15-03**
(52) **U.S. Cl.**
USPC **D15/28**
(58) **Field of Classification Search**
USPC D15/28
CPC E02F 3/8155; E02F 3/8157; E02F 3/8152;
E02F 3/76; E02F 9/28; E02F 9/2833;
E02F 9/2808; E02F 9/2816; E02F 9/2825;
E01C 35/193; E01C 35/1933; E01C
35/1936; E01C 35/19
See application file for complete search history.

OTHER PUBLICATIONS

U.S. Patent Application of Nathan Bjerke et al., titled "Shroud Retention System for a Work Tool," filed Nov. 6, 2018.

Primary Examiner — Mark A Goodwin
(74) *Attorney, Agent, or Firm* — Finnegan, Henderson, Farabow, Garrett & Dunner, LLP

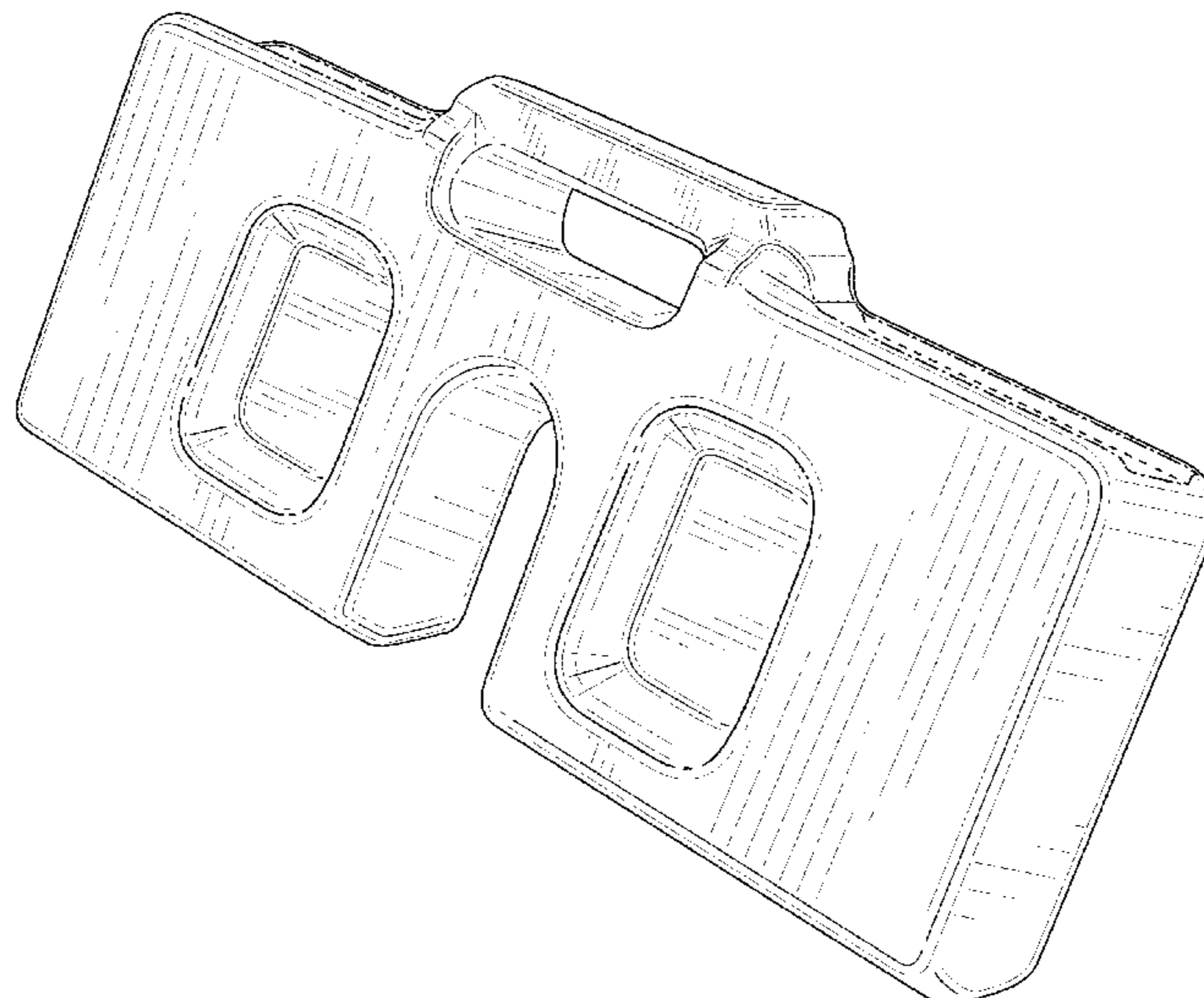
(56) **References Cited**
U.S. PATENT DOCUMENTS
4,076,318 A * 2/1978 Hauschopp E21C 35/1936
299/103
4,205,469 A 6/1980 Johansson
4,676,706 A 6/1987 Inaba
4,753,299 A * 6/1988 Meyers E02F 9/2825
172/701.3
4,784,517 A * 11/1988 Bergqvist E01C 23/082
404/75
4,883,129 A * 11/1989 Lonn E02F 9/285
172/777
5,125,853 A 6/1992 Hashiguchi
5,713,145 A 2/1998 Ruvang
5,778,599 A 7/1998 Saito

(57) **CLAIM**
The ornamental design for a retention component, as shown and described.

DESCRIPTION

FIG. 1 is a front, top, left perspective view of a retention component showing the new design;
FIG. 2 is a rear, bottom, right perspective view thereof;
FIG. 3 is a front elevation view thereof;
FIG. 4 is a rear elevation view thereof;
FIG. 5 is a left side view thereof;
FIG. 6 is a right side view thereof;
FIG. 7 is a top plan view thereof; and,
FIG. 8 is a bottom plan view thereof.
The broken lines of uneven length shown in the drawings illustrate the boundary of the claimed design and form no part thereof. The broken lines of even length shown in the drawings illustrate portions of the retention component that form no part of the claimed design.

1 Claim, 8 Drawing Sheets



(56)

References Cited

U.S. PATENT DOCUMENTS

7,219,454	B2	5/2007	Maher	
7,472,503	B2	1/2009	Maher	
8,024,874	B2	9/2011	McClanahan et al.	
8,438,760	B2	5/2013	Maher et al.	
8,819,967	B2 *	9/2014	Campomanes	E02F 9/2825 37/450
8,943,718	B2	2/2015	Ruvang	
9,540,796	B2	1/2017	Dallard et al.	
9,632,200	B2 *	4/2017	Tasovski	G01V 3/104
9,909,285	B2	3/2018	Bjerke et al.	
9,938,695	B2	4/2018	Bjerke et al.	
10,851,523	B2 *	12/2020	Parzynski, Jr.	E02F 9/2833
10,883,257	B2 *	1/2021	Bjerke	E02F 9/2808
2003/0089003	A1	5/2003	Ollinger, IV et al.	
2003/0121185	A1	7/2003	Ollinger, IV et al.	
2004/0237355	A1	12/2004	Ollinger, IV	
2005/0229441	A1	10/2005	Maher	
2008/0005940	A1	1/2008	Ollinger	
2009/0282711	A1	11/2009	Naher et al.	
2009/0285651	A1	11/2009	Cooley	
2013/0185964	A1	7/2013	Anisy et al.	
2014/0173949	A1	6/2014	Karlsson et al.	
2014/0202049	A1	7/2014	Ruvang	
2014/0360060	A1	12/2014	Kunz	
2015/0211214	A1	7/2015	Dallard et al.	
2017/0073939	A1	3/2017	Bjerke et al.	
2017/0321396	A1 *	11/2017	Zenier	E02F 9/2883
2018/0038065	A1 *	2/2018	Hunt	E02F 9/2833
2018/0195255	A1 *	7/2018	Parzynski	E02F 9/2816
2020/0095752	A1 *	3/2020	Campomanes	E02F 9/2858
2020/0157782	A1 *	5/2020	Bjerke	E02F 9/2858

* cited by examiner

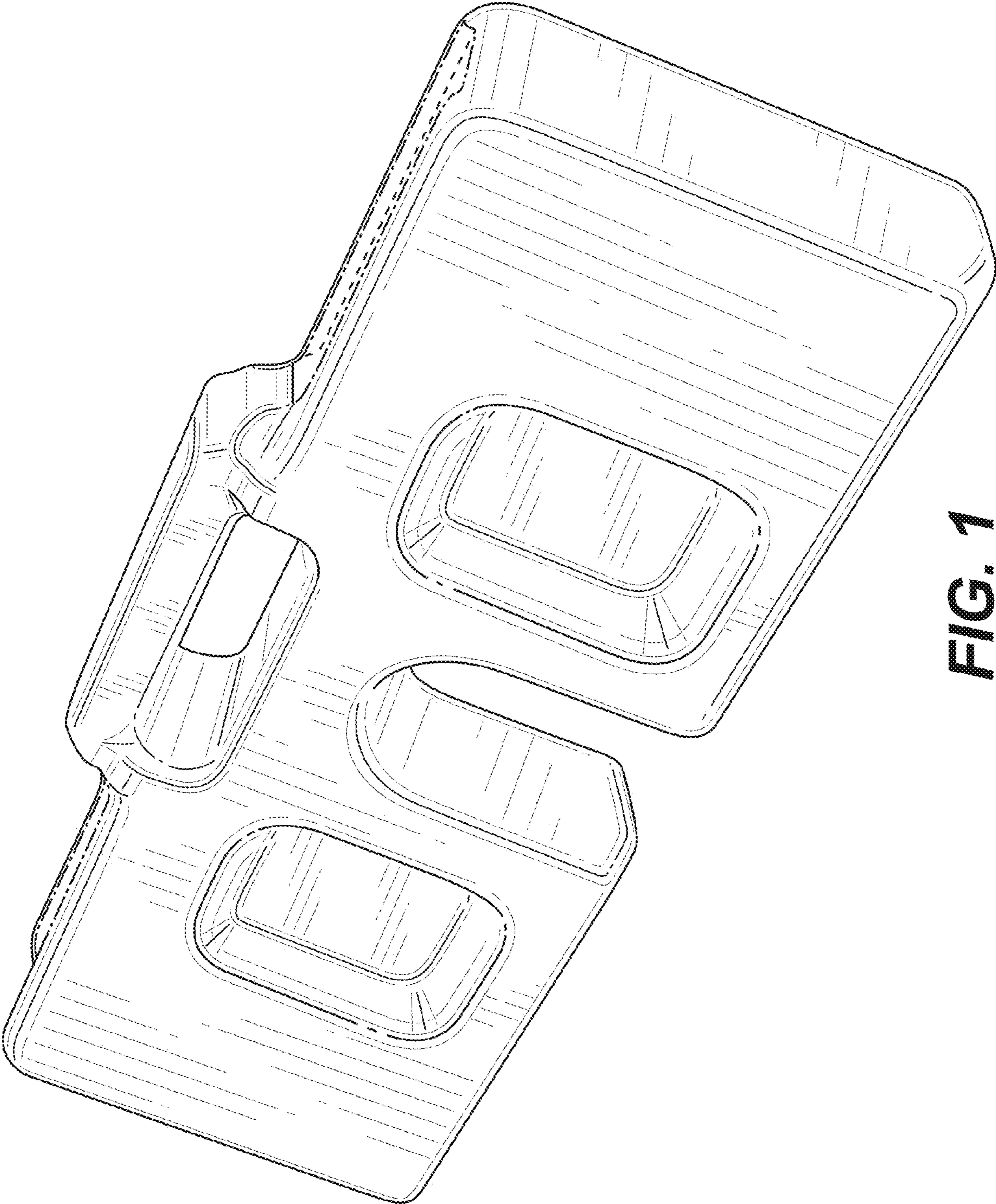


FIG. 1

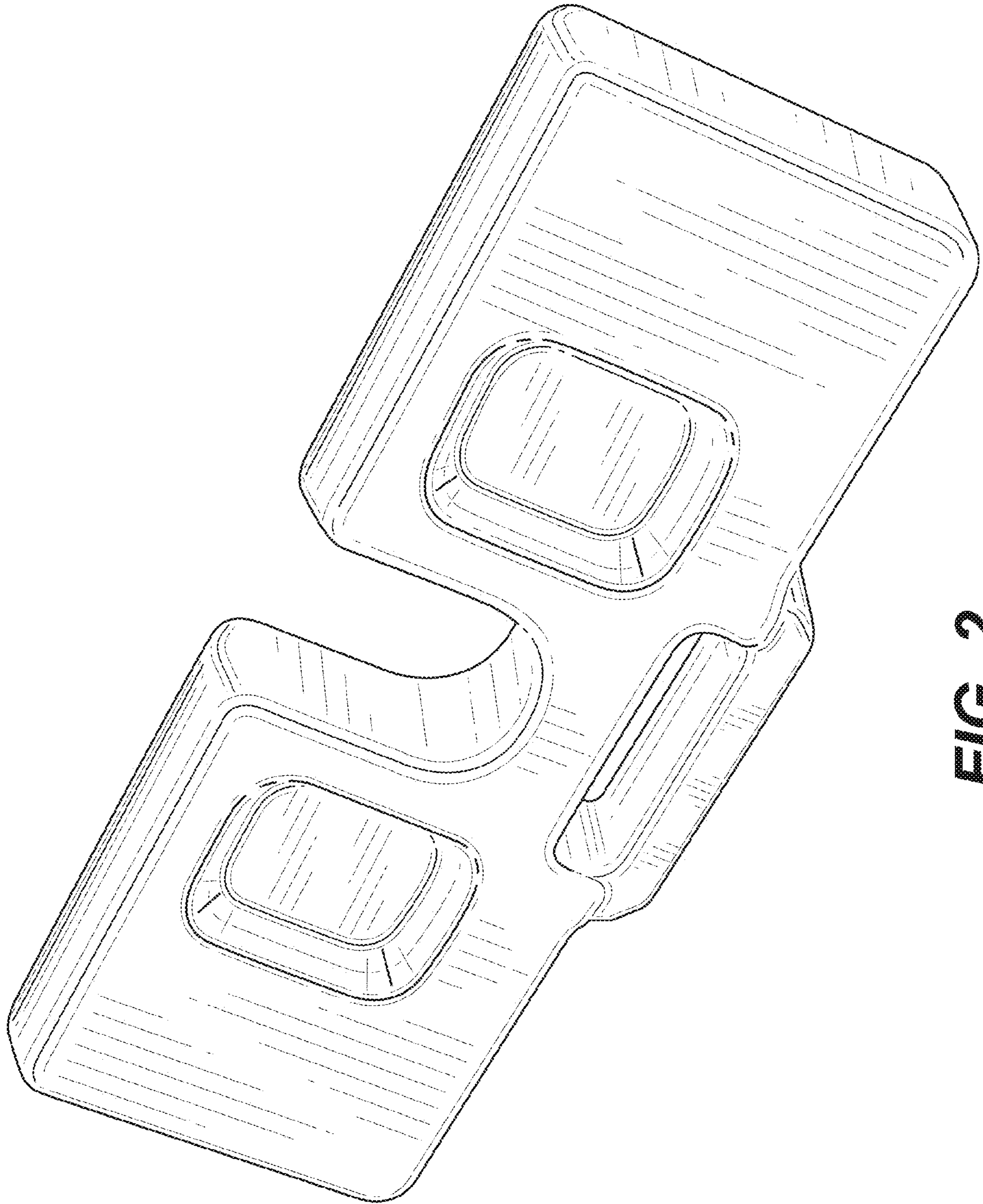


FIG. 2

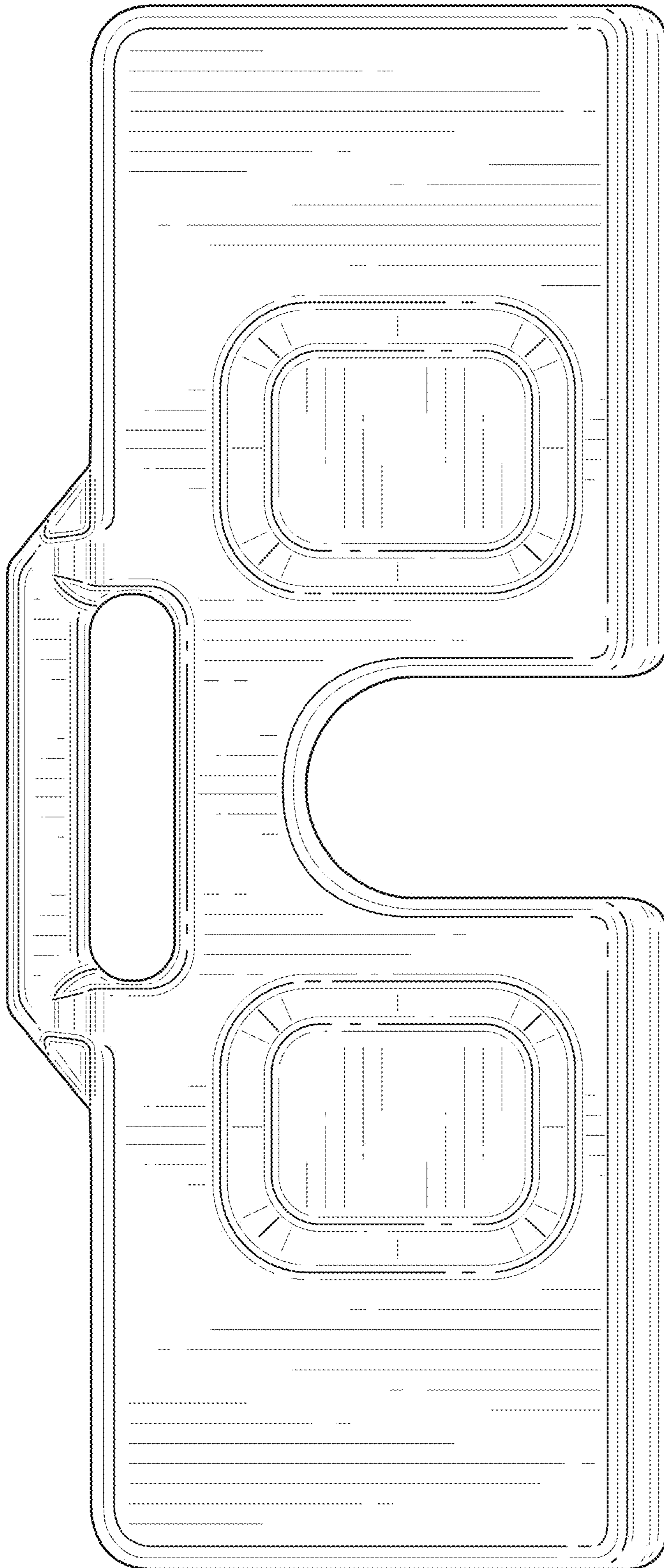


FIG. 3

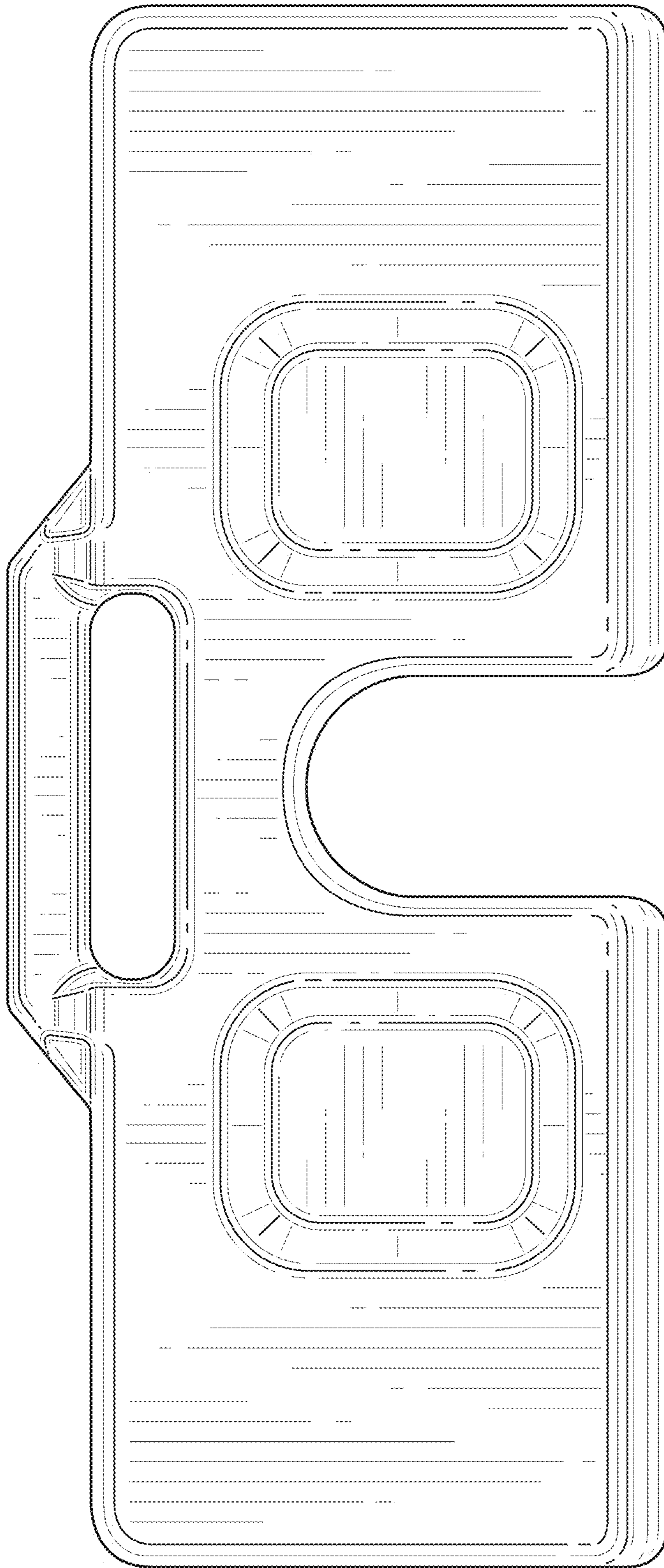


FIG. 4

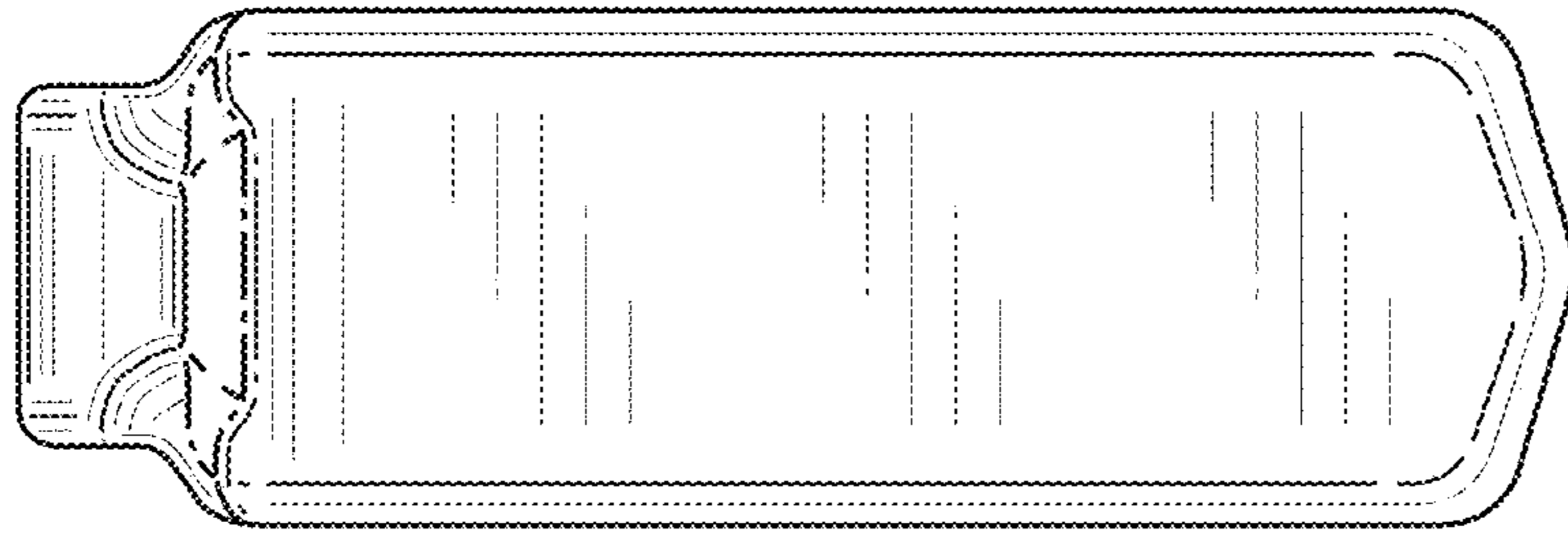


FIG. 5

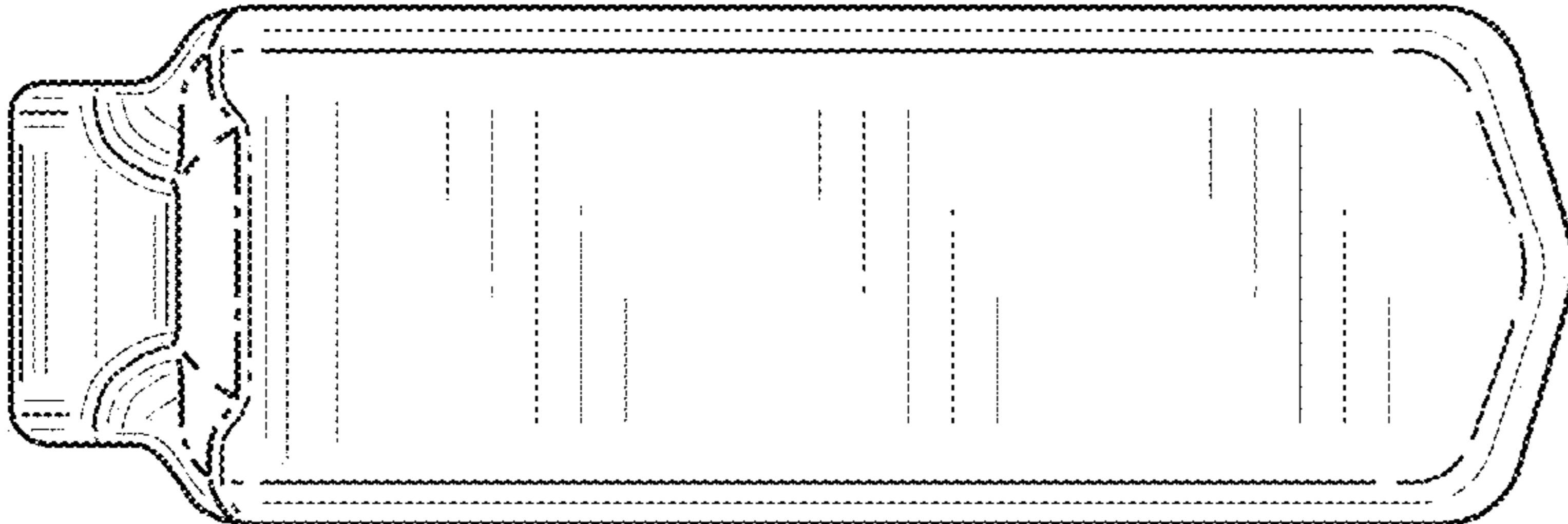


FIG. 6

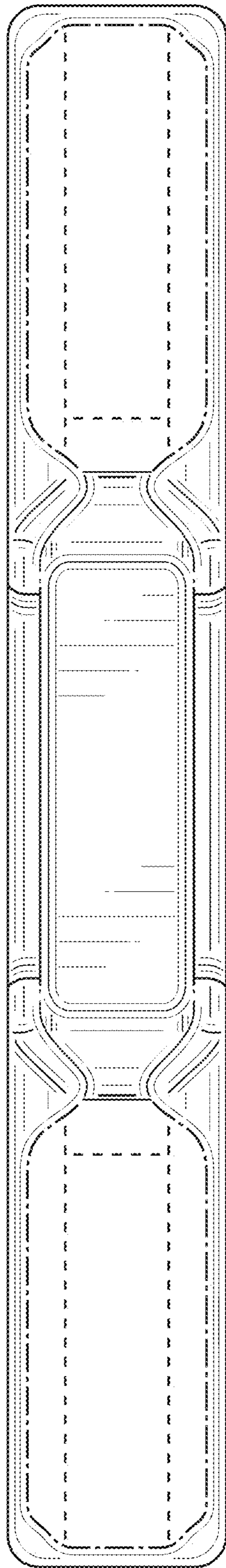


FIG. 7

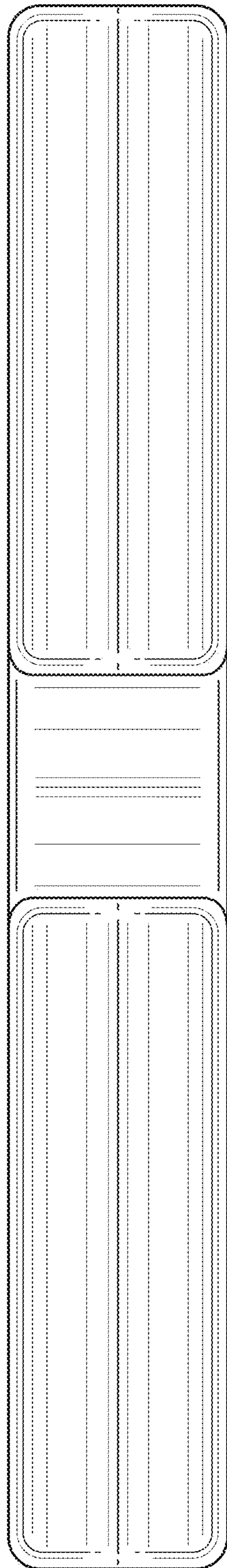


FIG. 8