



US00D922446S

(12) **United States Design Patent**  
**Wagner et al.**

(10) **Patent No.:** **US D922,446 S**  
(45) **Date of Patent:** **\*\* Jun. 15, 2021**

(54) **BULLDOZER**

(71) Applicant: **Guangxi LiuGong Machinery Co., Ltd.**, Liuzhou Guangxi (CN)

(72) Inventors: **Edward Wagner**, Guangxi (CN); **Gary Major**, Nantwich (GB); **Richard Killgren**, Nantwich (GB); **James Holmes**, Coventry (GB)

(73) Assignee: **Guangxi LiuGong Machinery Co., Ltd.**, Guangxi (CN)

(\*\*) Term: **15 Years**

(21) Appl. No.: **29/717,864**

(22) Filed: **Dec. 19, 2019**

(51) **LOC (13) Cl.** ..... **12-09**

(52) **U.S. Cl.**  
USPC ..... **D15/25**

(58) **Field of Classification Search**  
USPC ..... D15/10, 22-26, 33, 28, 31; D21/431;  
37/403, 409, 442, 443; 180/89.1, 89.12,  
180/89.13, 9.1, 9.21, 9.28, 9.3, 9.5, 900;  
296/190.03; 414/685, 694, 722, 724  
CPC ..... E02F 9/0841; E02F 3/3411; E02F 3/76;  
E02F 3/34; E02F 3/00; E02F 7/00; B62D  
21/186; B62D 53/028  
See application file for complete search history.

(56) **References Cited**

**U.S. PATENT DOCUMENTS**

D251,845 S \* 5/1979 Joupperi ..... D15/24  
6,863,461 B2 \* 3/2005 Werner ..... E02F 3/7618  
403/43

D538,303 S \* 3/2007 Kumagai ..... D15/24  
D543,557 S \* 5/2007 Kumagai ..... D15/24  
D551,683 S \* 9/2007 Kumagai ..... D15/24  
D552,629 S \* 10/2007 Kumagai ..... D15/24  
D573,161 S \* 7/2008 Betz ..... D15/24  
D742,423 S \* 11/2015 Coste ..... D15/24  
D742,933 S \* 11/2015 Buxton ..... D15/24  
D785,680 S \* 5/2017 Dipino ..... D15/23

\* cited by examiner

*Primary Examiner* — Mark A Goodwin

(74) *Attorney, Agent, or Firm* — Young Basile Hanlon & MacFarlane, P.C.

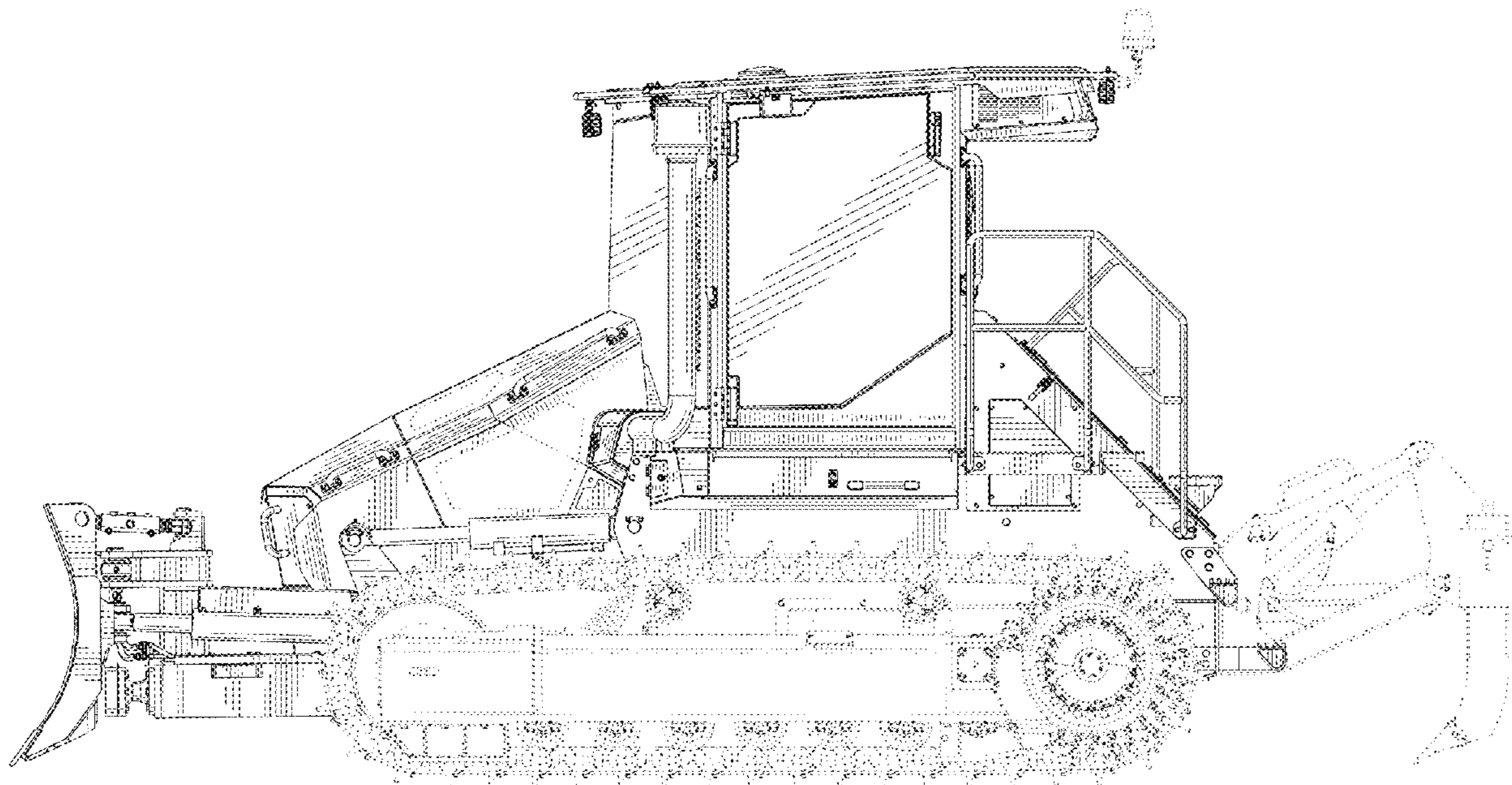
(57) **CLAIM**

The ornamental design for a bulldozer, as shown and described.

**DESCRIPTION**

FIG. 1 is right view of a bulldozer of our new design;  
FIG. 2 is left view thereof;  
FIG. 3 is an upper, rear, right perspective view thereof;  
FIG. 4 is an upper, front, right perspective view thereof;  
FIG. 5 is an upper, rear, left perspective view thereof;  
FIG. 6 is an upper, front, left perspective view thereof;  
FIG. 7 is a front view thereof;  
FIG. 8 is a rear view thereof;  
FIG. 9 is a top view thereof; and,  
FIG. 10 is a bottom view thereof.  
The broken lines in the drawings represent unclaimed portions of the bulldozer and form no part of the claimed design.

**1 Claim, 9 Drawing Sheets**



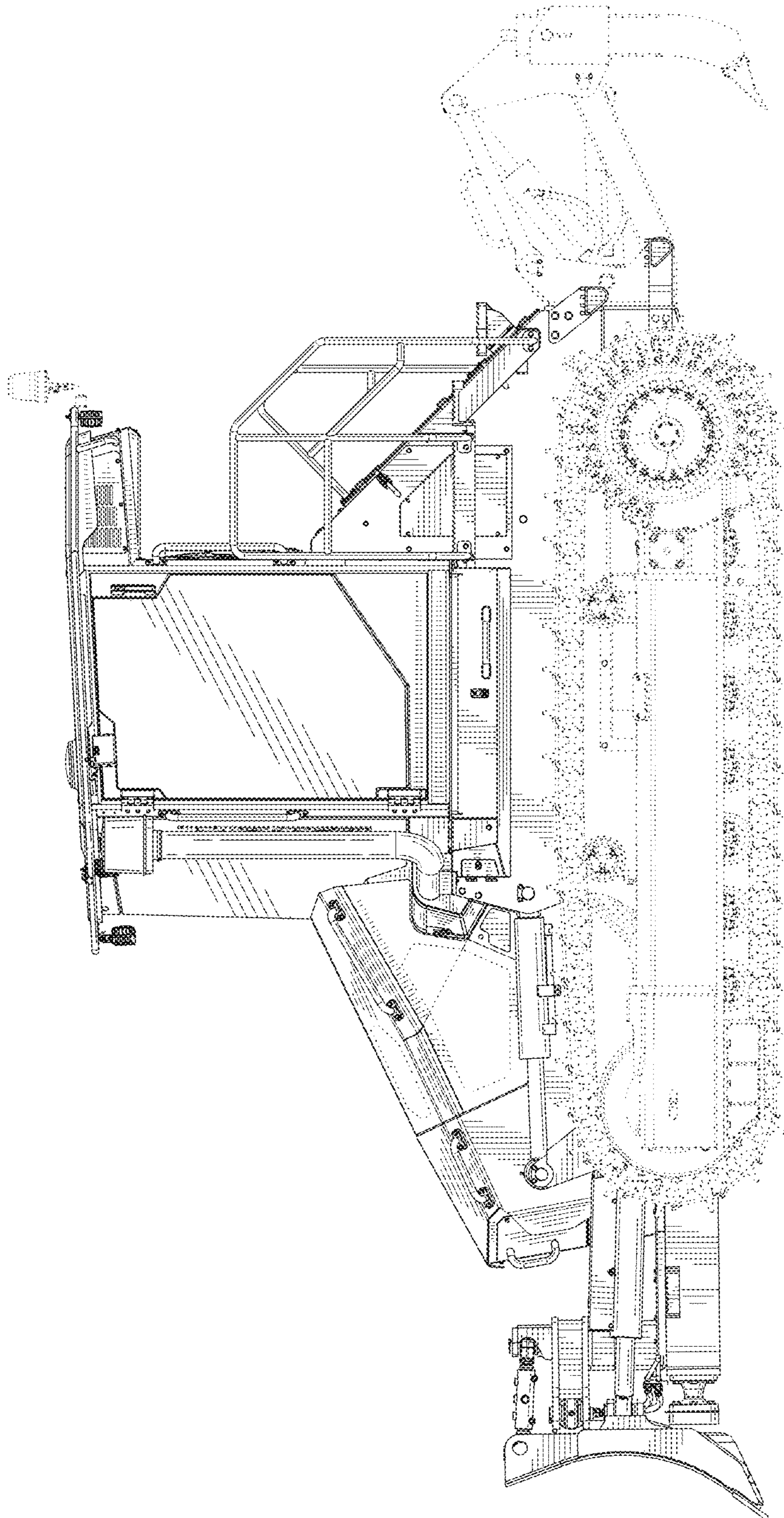


FIG. 1



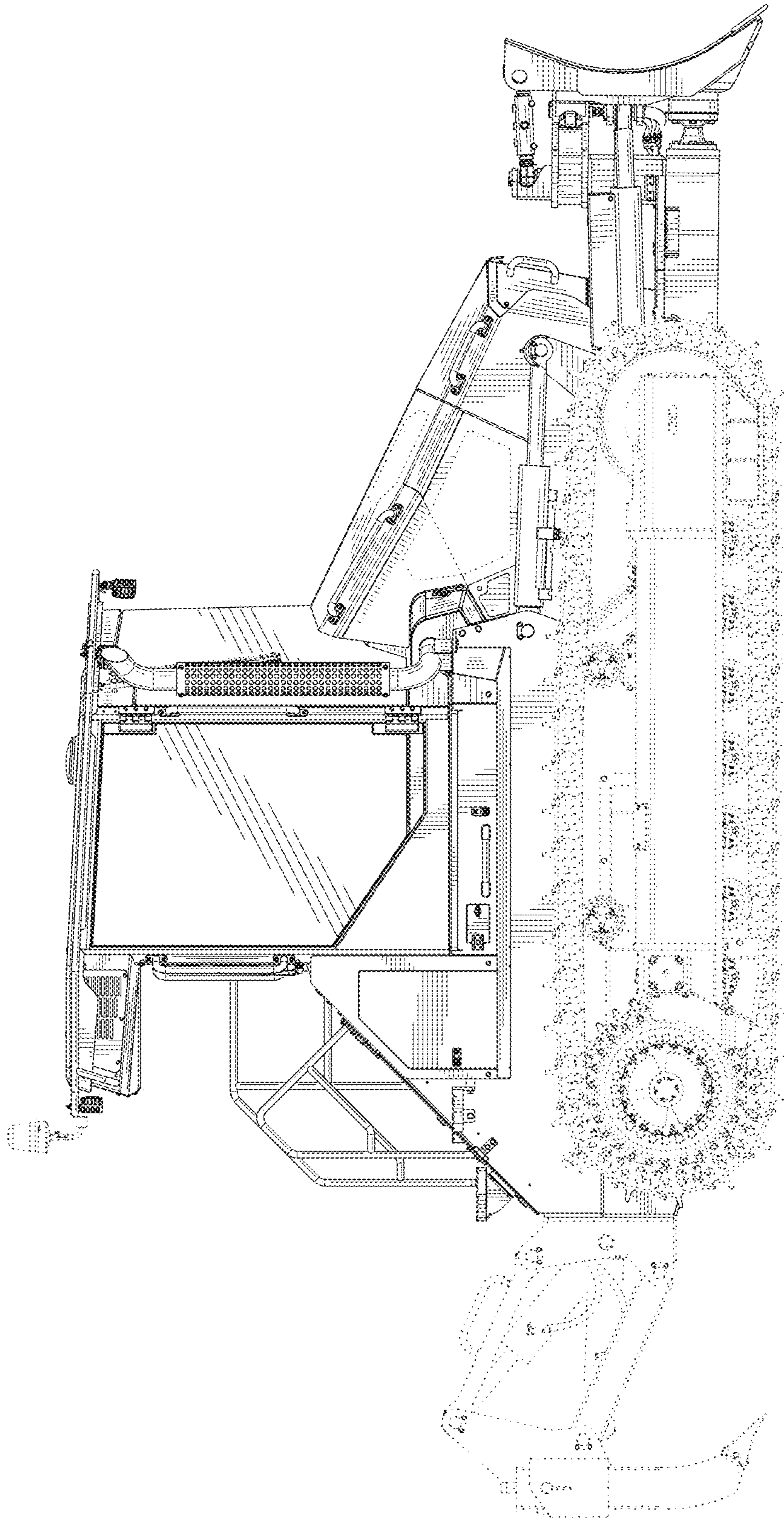


FIG. 2

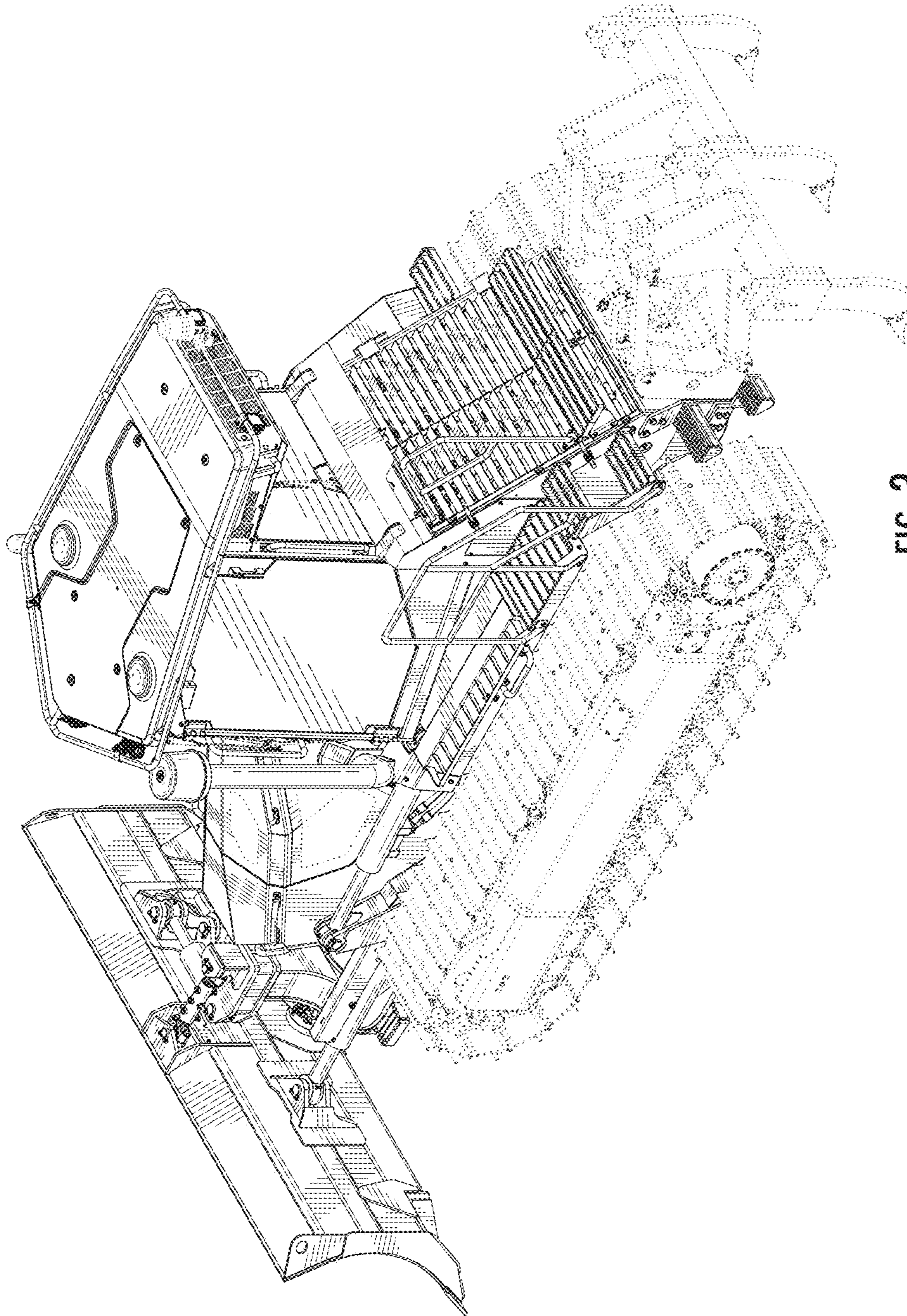


FIG. 3



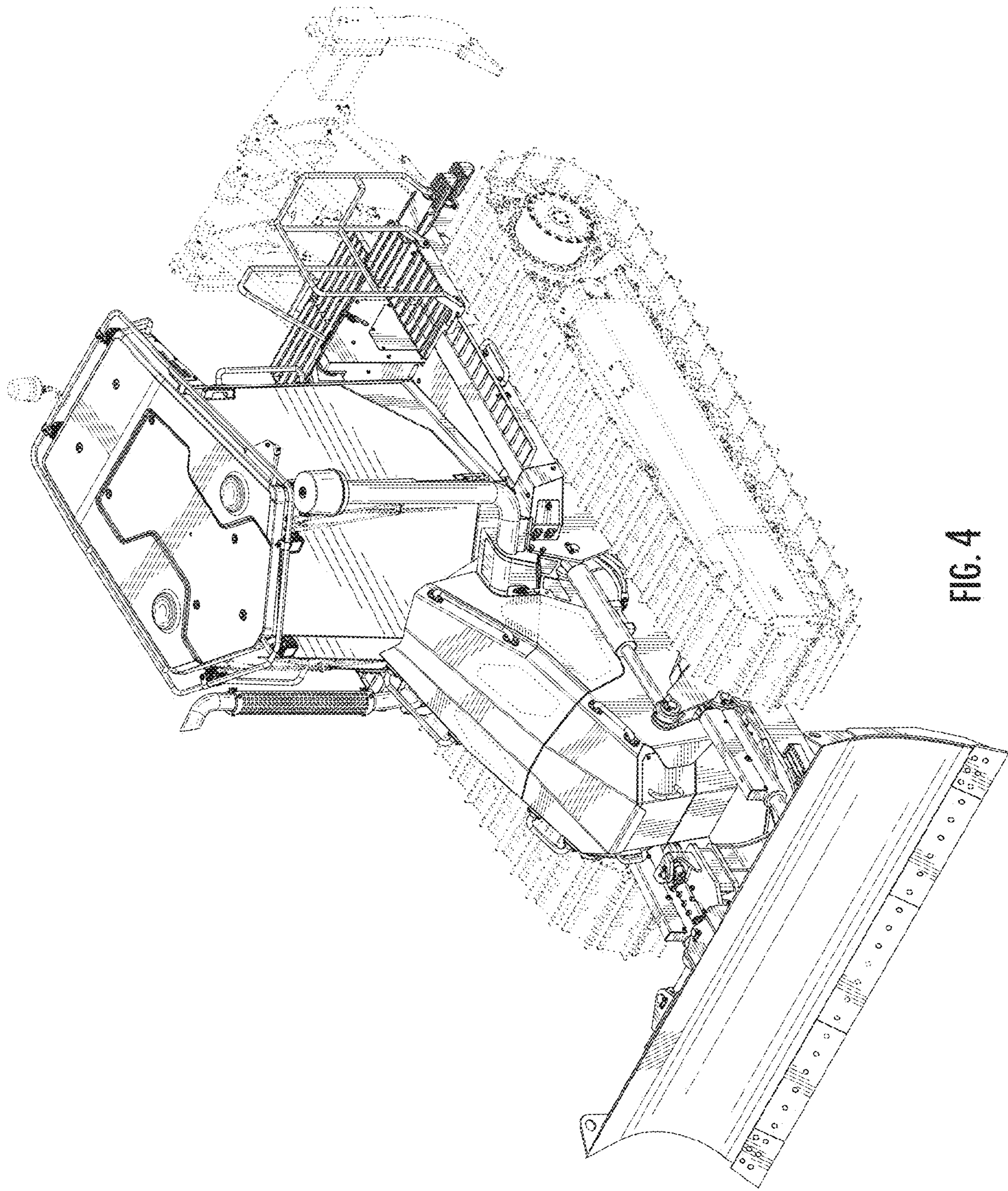


FIG. 4



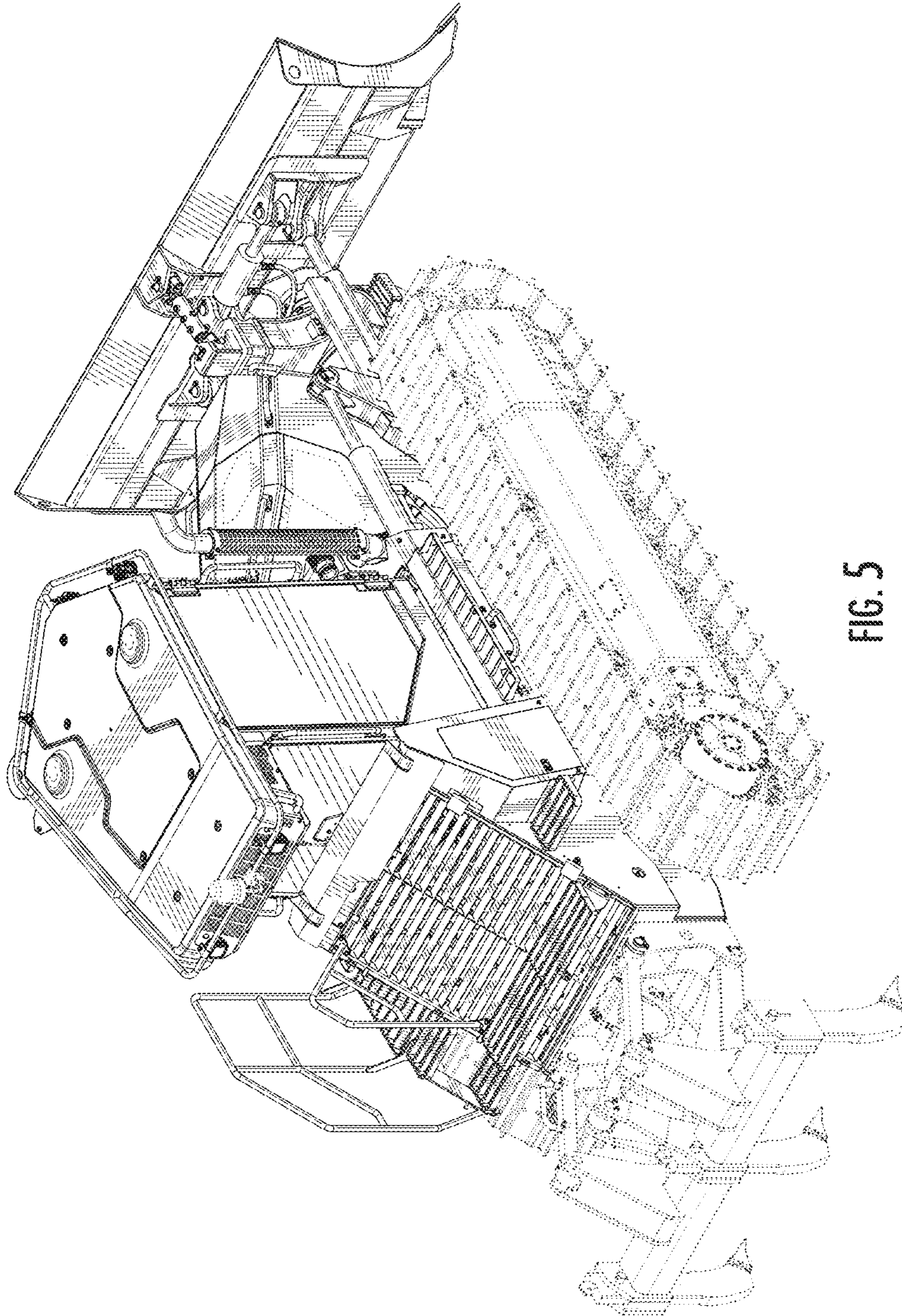


FIG. 5



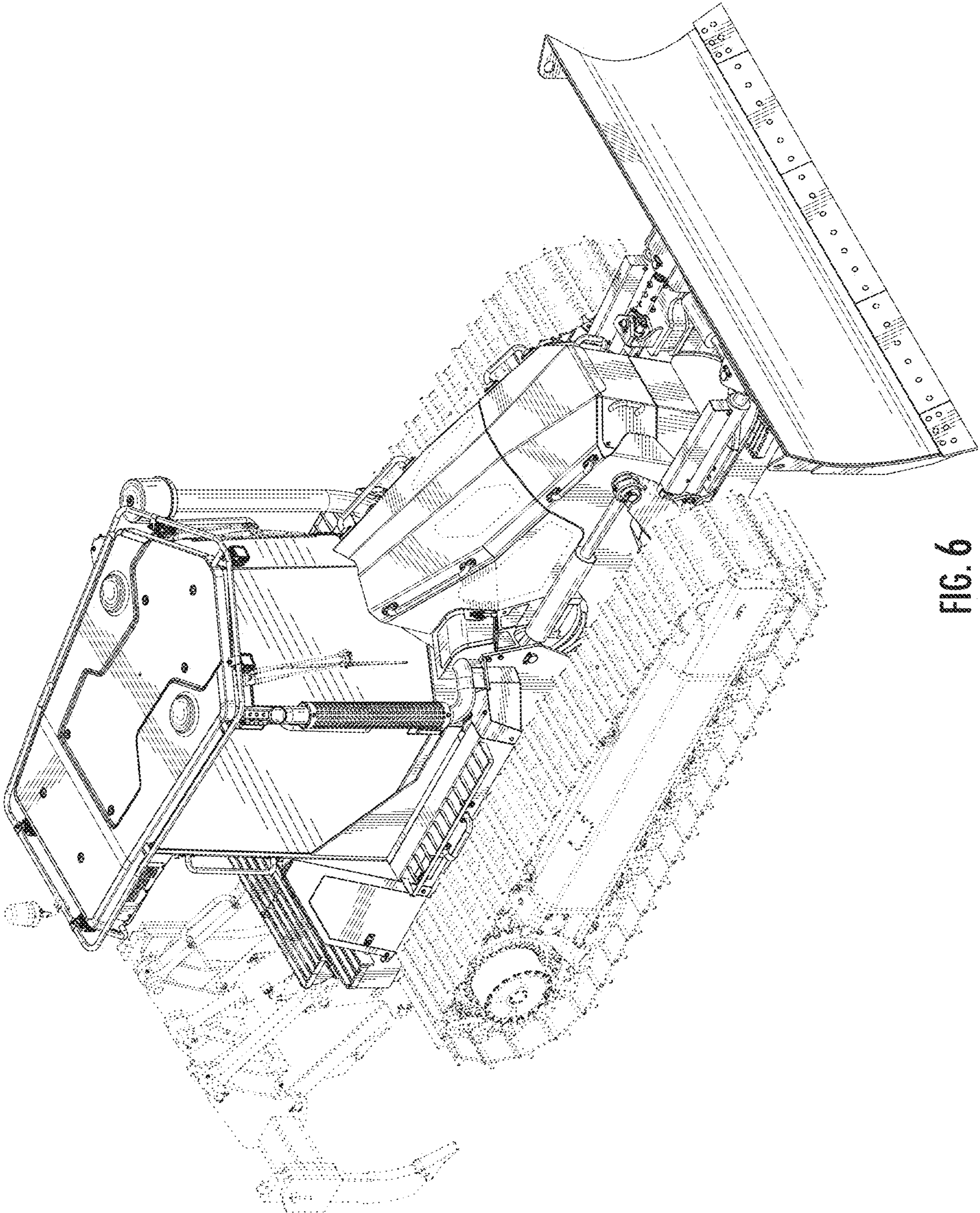


FIG. 6



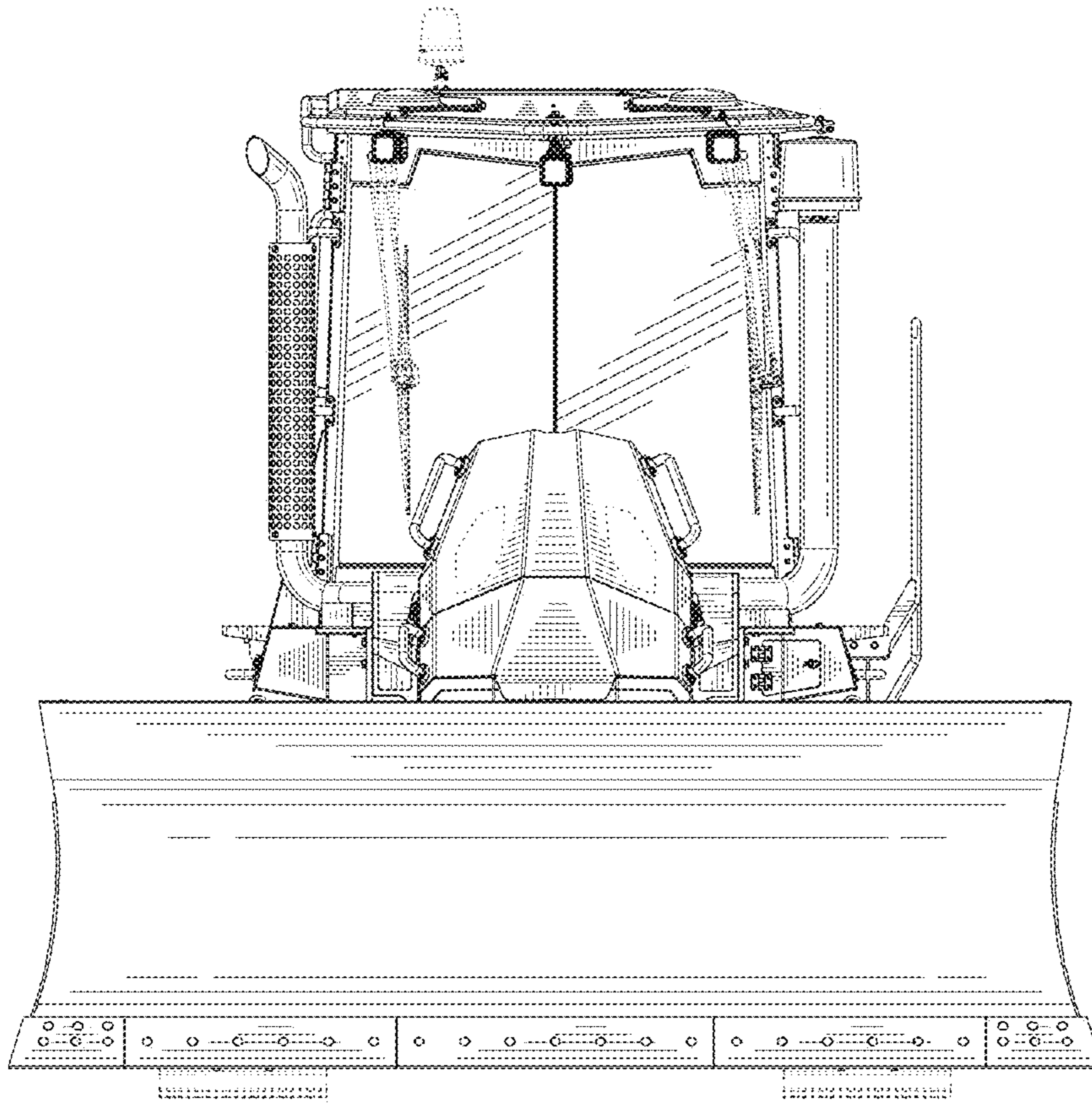


FIG. 7

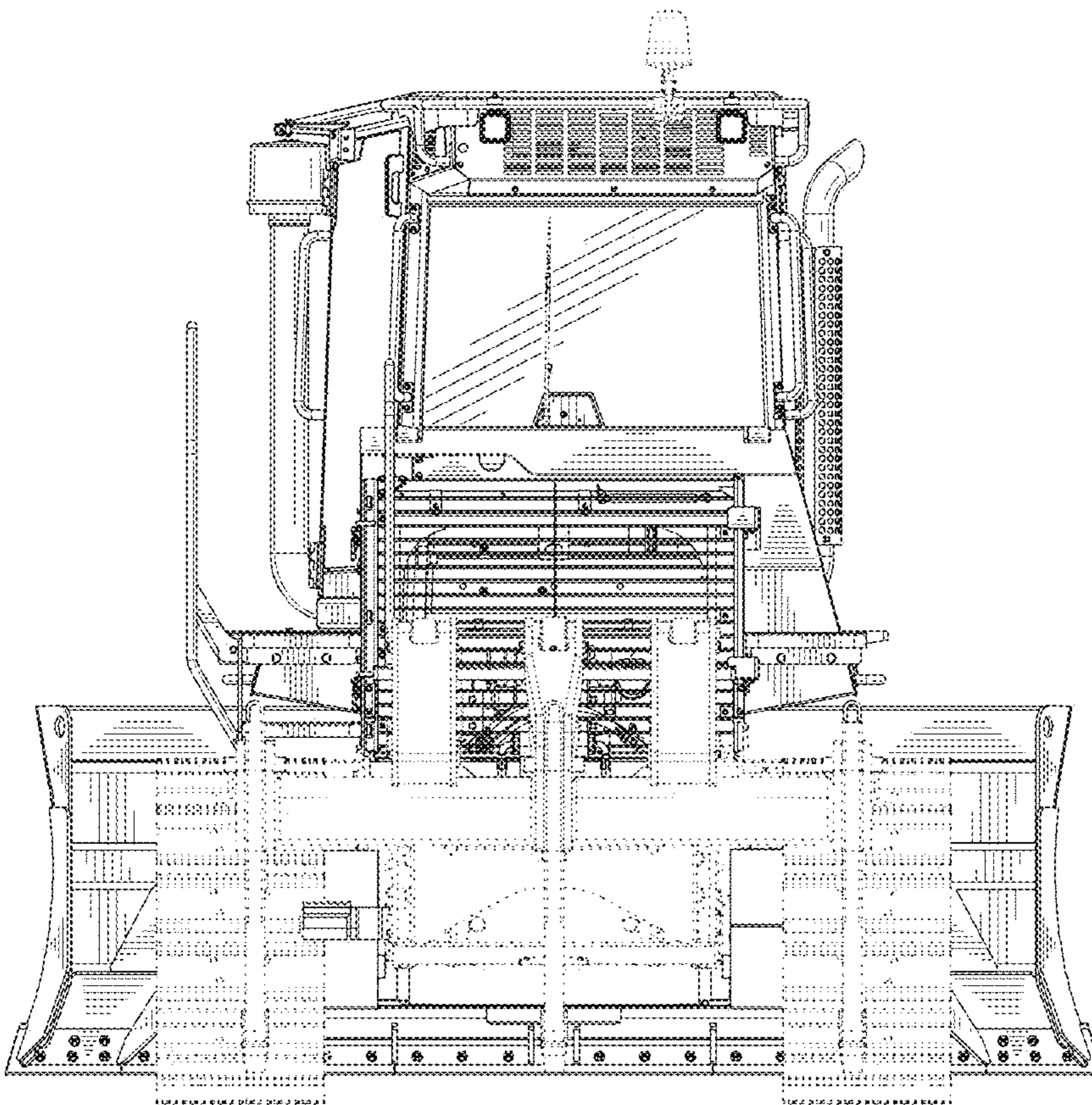


FIG. 8



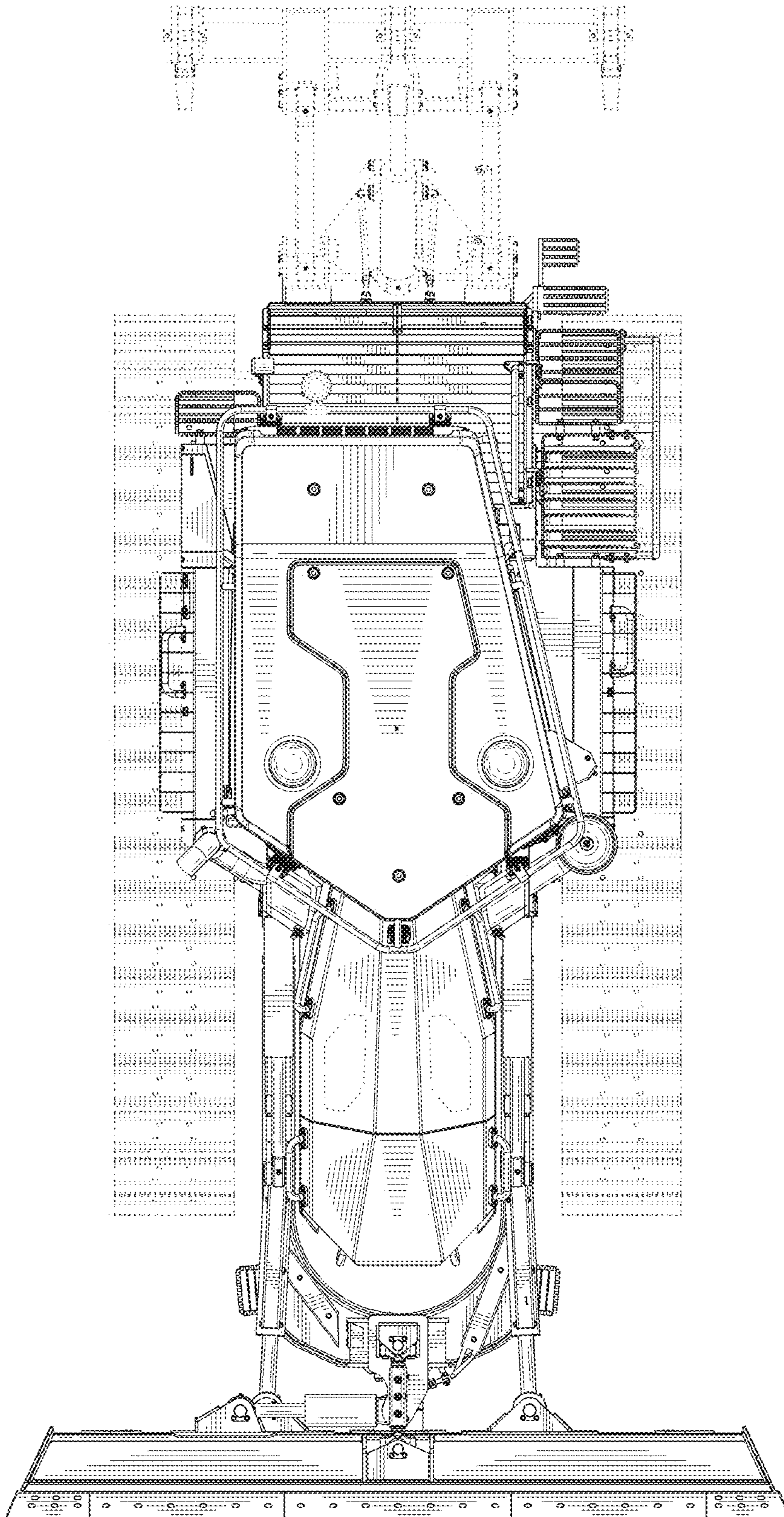


FIG. 9



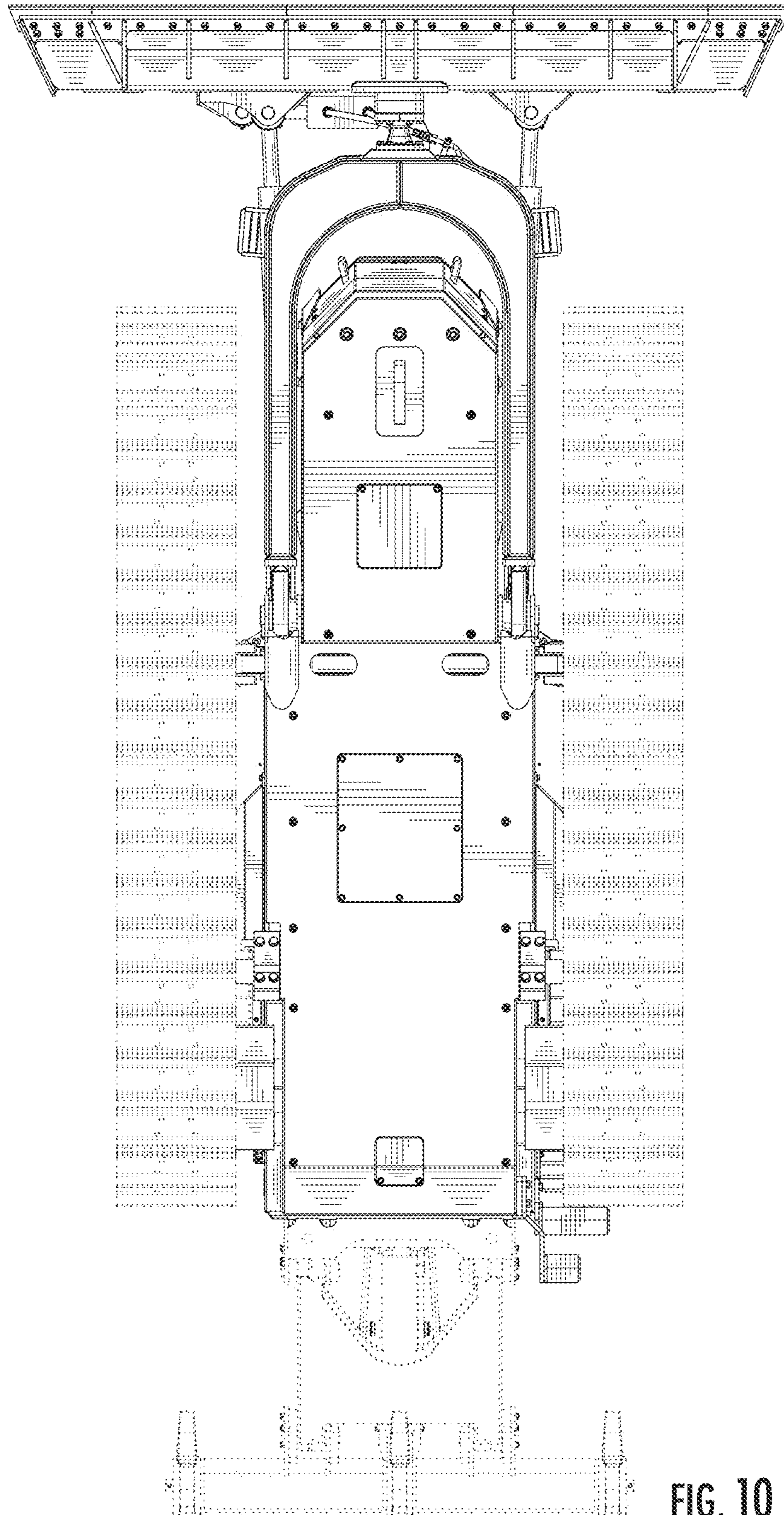


FIG. 10