



US00D922444S

(12) **United States Design Patent**  
**Morin et al.**

(10) **Patent No.:** **US D922,444 S**

(45) **Date of Patent:** **\*\* Jun. 15, 2021**

(54) **ROBOTIC LAWNMOWER HAVING  
INWARDLY INDENTED PORTIONS ALONG  
A PERIPHERY THEREOF**

(71) Applicant: **iRobot Corporation**, Bedford, MA  
(US)

(72) Inventors: **Russell Walter Morin**, Burlington, MA  
(US); **Stuart R. Jang**, Sudbury, MA  
(US)

(73) Assignee: **iRobot Corporation**, Bedford, MA  
(US)

(\*\*) Term: **15 Years**

(21) Appl. No.: **29/654,884**

(22) Filed: **Jun. 28, 2018**

(51) **LOC (13) Cl.** ..... **15-03**

(52) **U.S. Cl.**  
USPC ..... **D15/14; D15/199**

(58) **Field of Classification Search**  
USPC ..... D15/14, 199  
CPC ..... A01D 34/81; A01D 34/87; A01D 34/90;  
A01D 34/008; A01D 34/416; A01D  
34/4166; A01D 34/4167; A01G 3/04;  
A01G 3/0435; B60L 1/003; B60L 3/0061;  
B60L 11/1803; B60L 11/1805; B60L  
11/1877; B60L 15/20; B60L 2220/16;  
B60L 2220/46; B60L 2240/36; B60L  
2240/421; B60L 2260/28; B60L 2260/40  
See application file for complete search history.

(56) **References Cited**

**U.S. PATENT DOCUMENTS**

6,015,356 A \* 1/2000 Sullivan ..... A63B 37/0003  
473/373  
D718,793 S \* 12/2014 Gur ..... D15/14  
D825,280 S \* 8/2018 Bradley ..... D7/607  
D842,343 S \* 3/2019 Roh ..... D15/14

D842,906 S \* 3/2019 Roh ..... D15/14  
D876,487 S \* 2/2020 Kim ..... D15/14  
2002/0158364 A1\* 10/2002 Aoyama ..... B29C 33/3857  
264/220  
2005/0015104 A1\* 1/2005 Morawski ..... A61B 17/3211  
606/167  
2006/0110257 A1\* 5/2006 Huang ..... F04D 29/681  
416/235  
2008/0034520 A1\* 2/2008 Heap ..... A46B 11/0017  
15/105  
2010/0180972 A1\* 7/2010 Yoon ..... F16L 9/006  
138/39  
2010/0183814 A1\* 7/2010 Rios ..... C08L 83/04  
427/387

(Continued)

**OTHER PUBLICATIONS**

[No Author Listed], "Gardena Robotic Lawnmower product manual,"  
GARDENA, 2019, 11 pages.

(Continued)

*Primary Examiner* — Patricia A Palasik  
(74) *Attorney, Agent, or Firm* — Fish & Richardson P.C.

(57) **CLAIM**

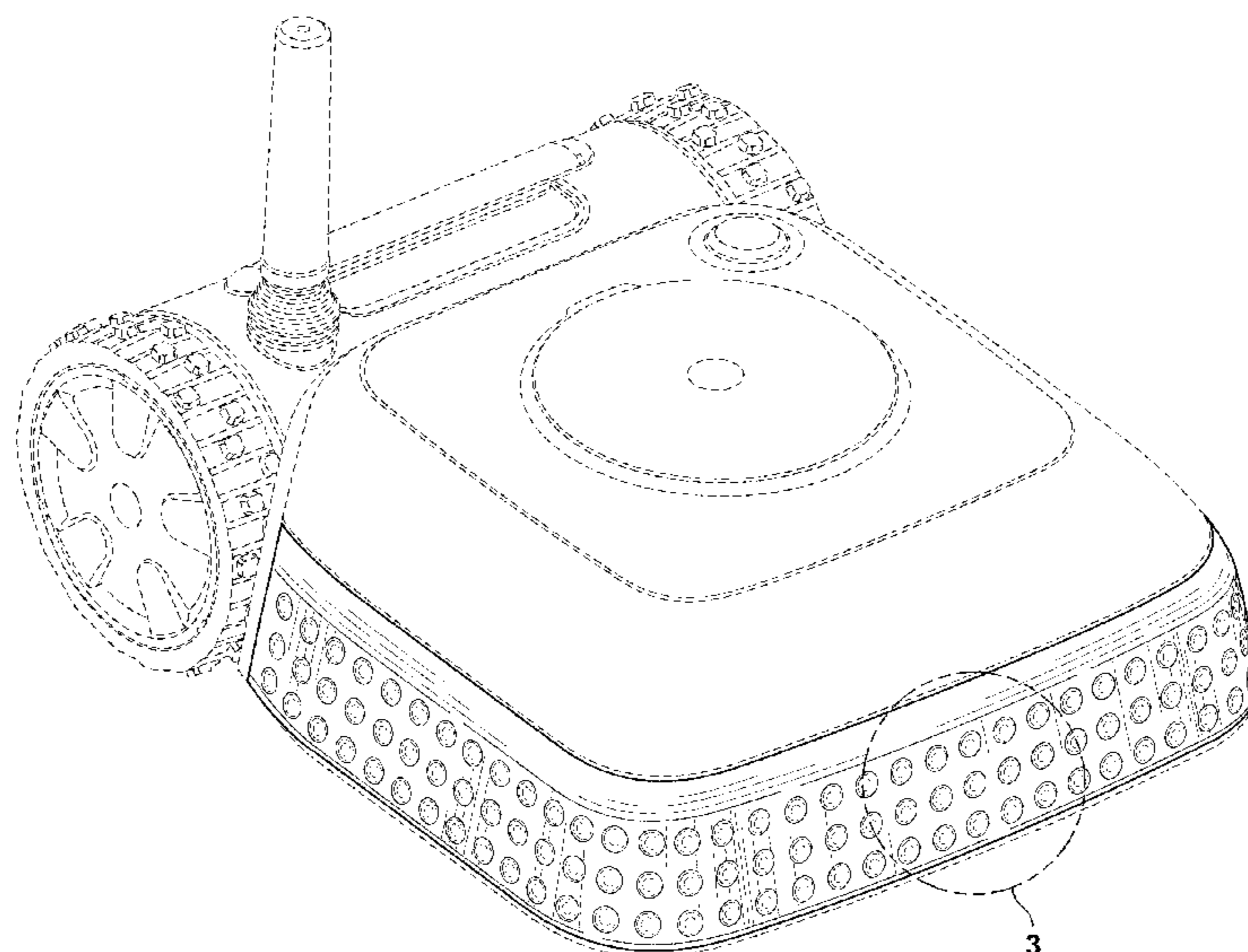
The ornamental design for a robotic lawnmower having inwardly indented portions along a periphery thereof, as shown and described.

**DESCRIPTION**

FIG. 1 is a perspective front view of a robotic lawnmower having inwardly indented portions along a periphery thereof according to our design;  
FIG. 2 is a front end view thereof;  
FIG. 3 is an enlarged perspective front view thereof;  
FIG. 4 is an enlarged front end view thereof; and,  
FIG. 5 is a top view thereof.

The broken lines shown herein are portions of the robotic lawnmower having inwardly indented portions along a periphery thereof and form no part of the claimed design.

**1 Claim, 4 Drawing Sheets**



(56)

**References Cited**

U.S. PATENT DOCUMENTS

2011/0244986 A1\* 10/2011 Okabe ..... A63B 37/0038  
473/373  
2012/0015762 A1\* 1/2012 Morgan ..... A63B 37/0004  
473/383  
2012/0045614 A1\* 2/2012 Chang ..... C23C 14/081  
428/141  
2012/0214613 A1\* 8/2012 Okabe ..... A63B 37/0031  
473/373  
2012/0322573 A1\* 12/2012 Boyd ..... A63B 53/02  
473/327  
2013/0060216 A1\* 3/2013 Junginger ..... A61L 15/26  
604/369  
2014/0080620 A1\* 3/2014 Nagi ..... A63B 69/3658  
473/280  
2015/0296973 A1\* 10/2015 Leiker ..... A46B 17/06  
15/104.92

2016/0181033 A1\* 6/2016 Brudzynsky ..... H03K 17/98  
200/4  
2016/0209145 A1\* 7/2016 Wolf ..... F41A 13/12  
2018/0022063 A1\* 1/2018 Berrang ..... B32B 3/30  
442/224  
2018/0184583 A1\* 7/2018 Morin ..... B25J 5/007  
2018/0229808 A1\* 8/2018 Wang ..... C09D 5/1618  
2019/0084756 A1\* 3/2019 Maxwell ..... B65D 43/022  
2020/0023911 A1\* 1/2020 Otterstrom ..... B60K 7/0007

OTHER PUBLICATIONS

[No Author Listed], "Landroid Unmanned Mowing Vehicle product manual," Worx, 2015, 52 pages.  
[No Author Listed], "Operator's manual: Husqvarna Automower 550H," Husqvarna, 2019, 56 pages.  
[No Author Listed], "Robomow S model product manual," Robotics Acquisitions, Ltd., 2016, 62 pages.

\* cited by examiner

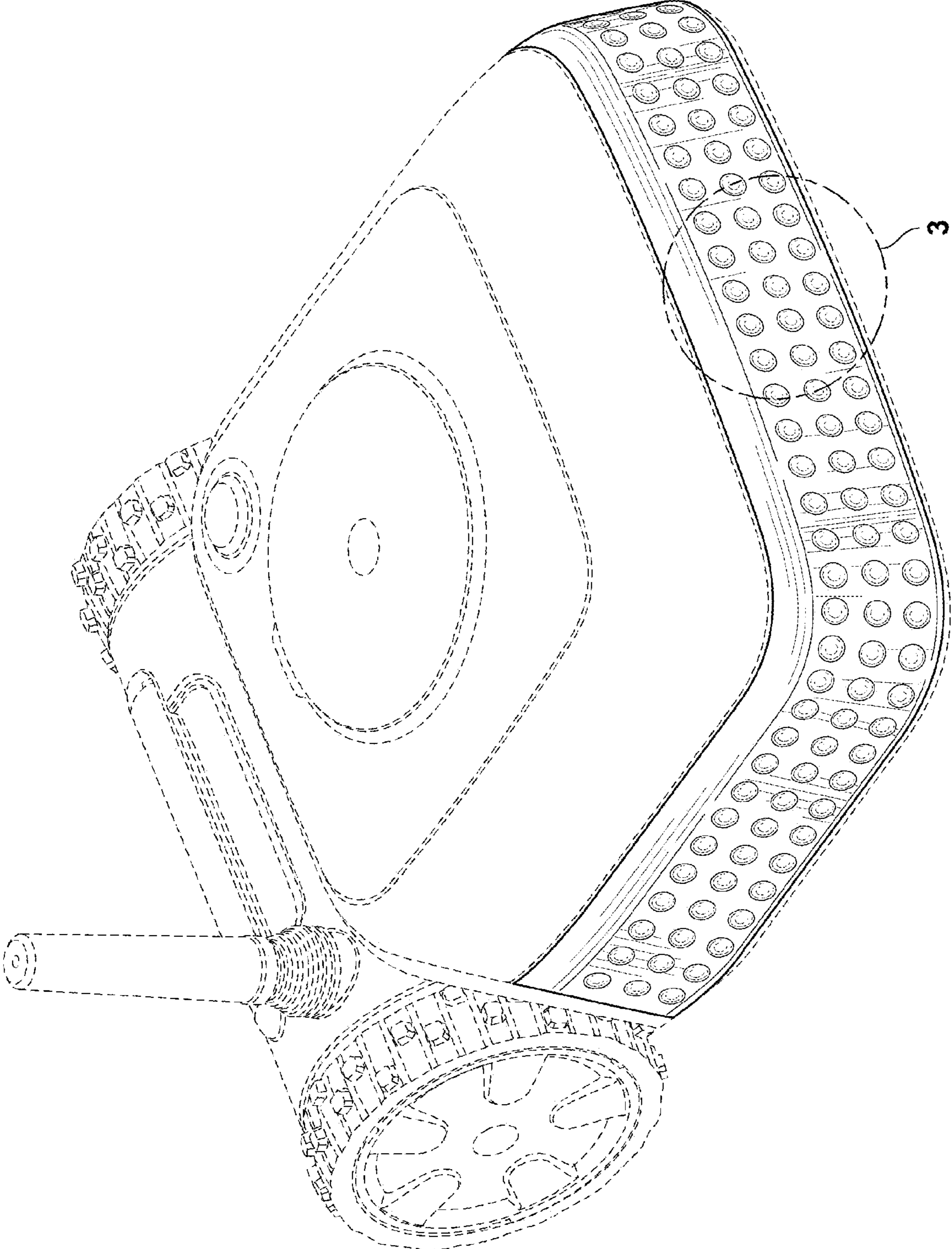


FIG. 1

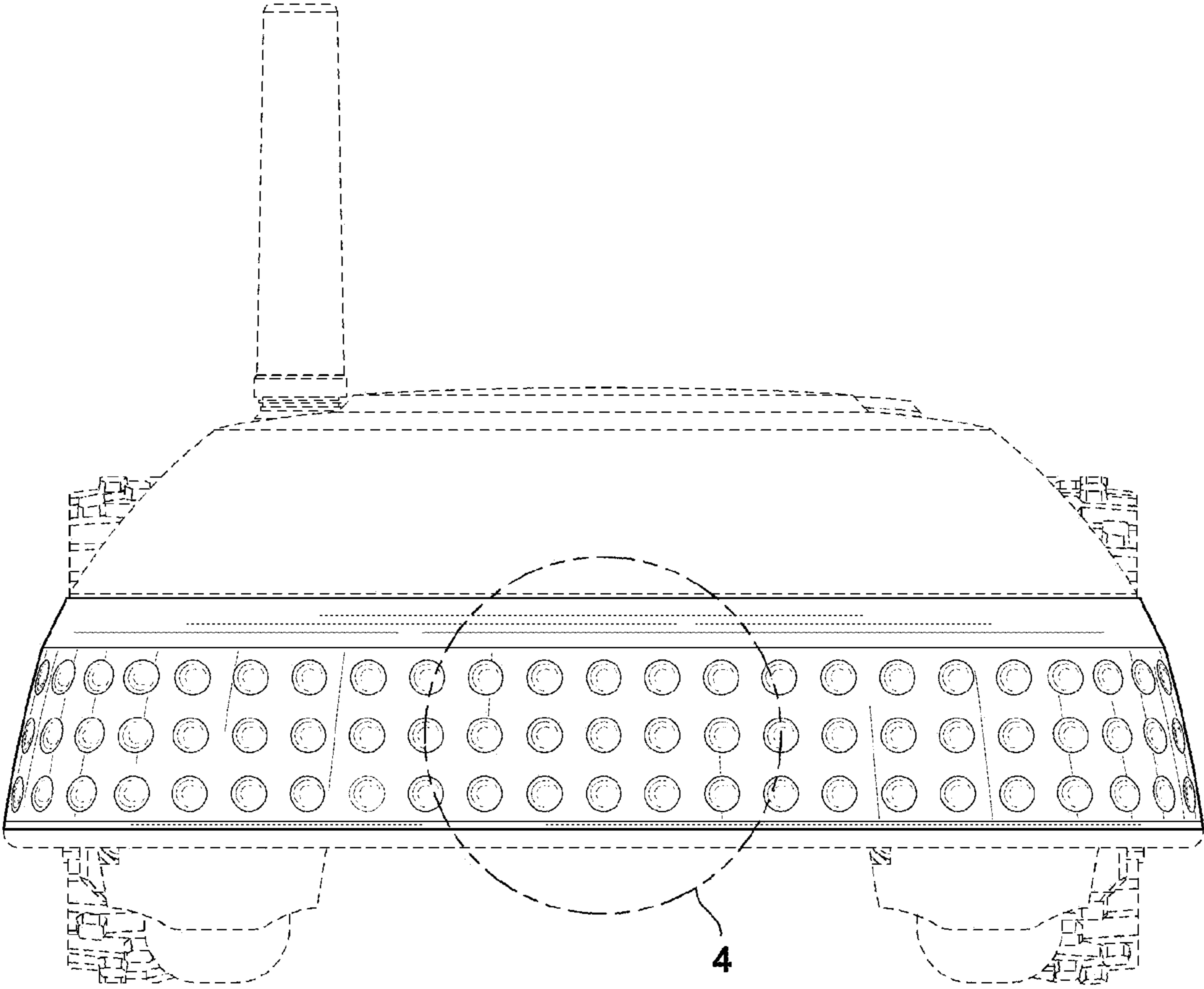


FIG. 2

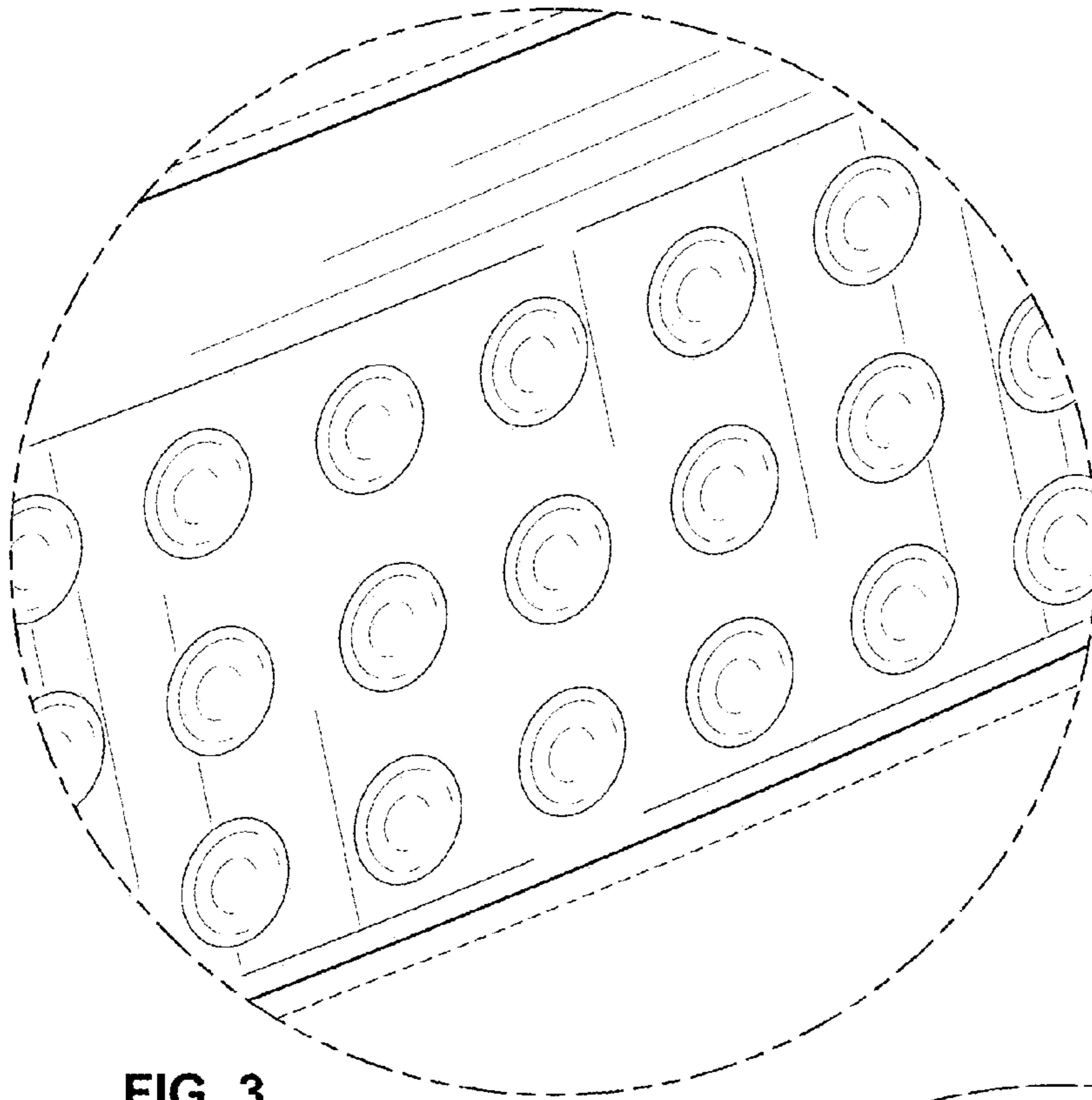


FIG. 3

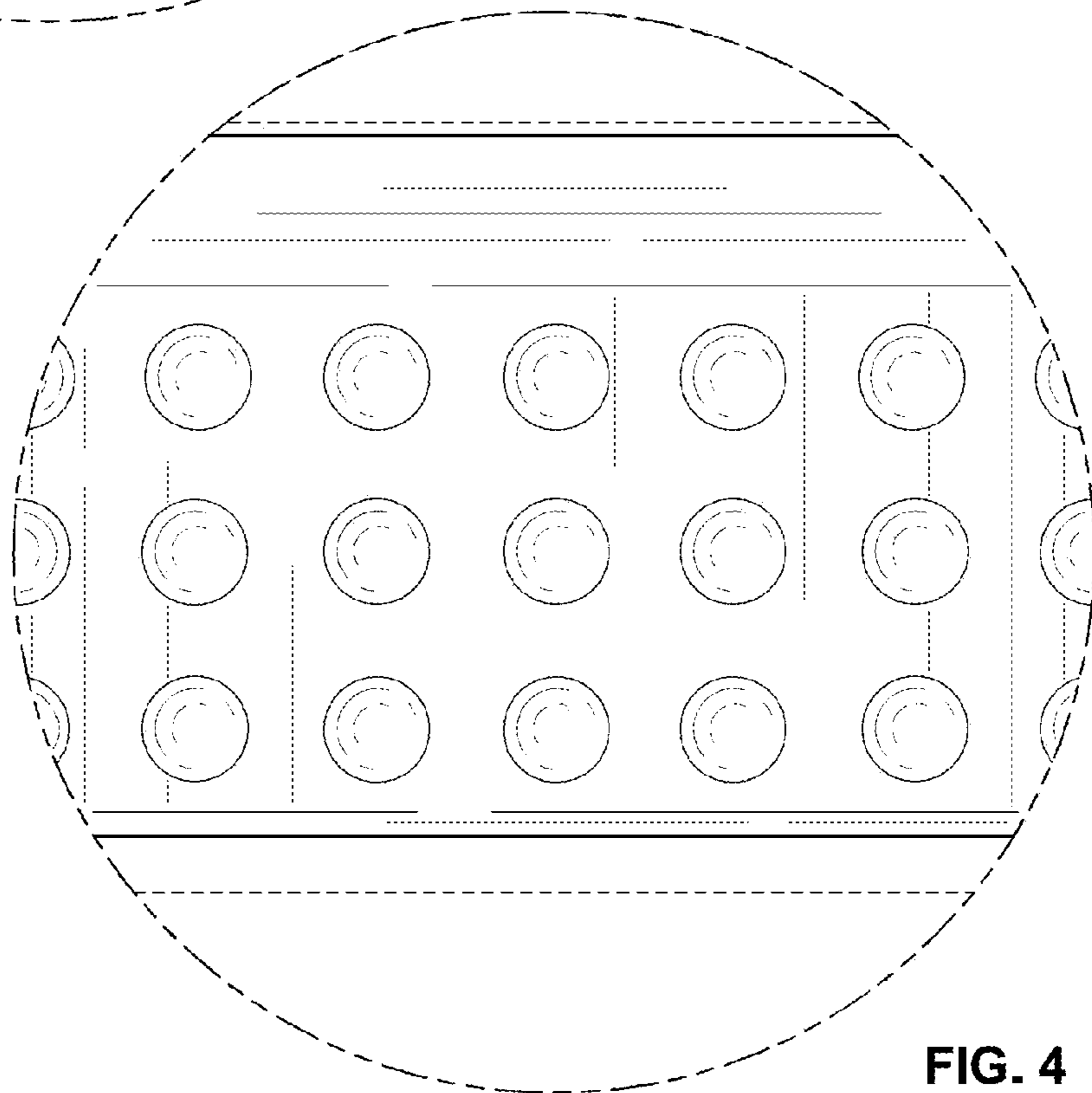


FIG. 4

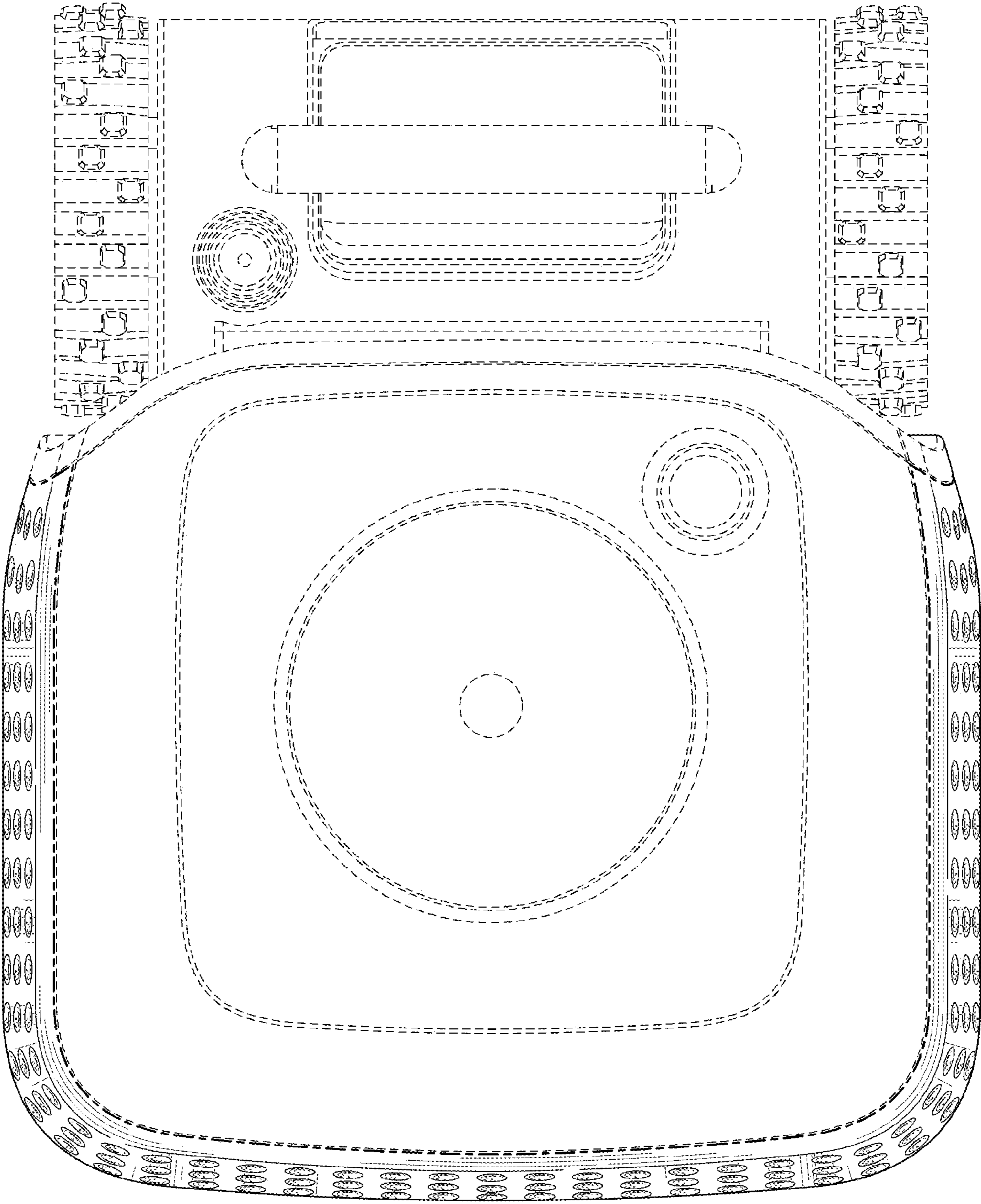


FIG. 5