



US00D922442S

(12) **United States Design Patent**  
**Liu**

(10) **Patent No.:** **US D922,442 S**

(45) **Date of Patent:** **\*\* Jun. 15, 2021**

(54) **AIR PUMP**

(71) Applicant: **Yingan Liu**, Chongqin (CN)

(72) Inventor: **Yingan Liu**, Chongqin (CN)

(73) Assignee: **xngxu Youmay Electric Appliance Co., Ltd.**

(\*\*) Term: **15 Years**

(21) Appl. No.: **29/700,755**

(22) Filed: **Aug. 5, 2019**

(51) **LOC (13) Cl.** ..... **15-02**

(52) **U.S. Cl.**  
USPC ..... **D15/7**

(58) **Field of Classification Search**  
USPC ..... D15/7-9; D23/225, 231, 232, 366, 356;  
D9/689, 529; D12/114  
CPC ..... F04B 53/14; F04B 53/92; F04B 33/00;  
F04B 33/005; F04B 1/005; F04B 39/102;  
F02M 37/04; F02M 37/14; F04D 13/06;  
F04D 29/22; F04D 29/046; F04D  
29/2266; E03F 5/22; F16K 11/048; F16K  
15/20; F16K 31/602; F16L 37/18; F16L  
37/20

See application file for complete search history.

(56) **References Cited**

**U.S. PATENT DOCUMENTS**

D301,245 S *	5/1989	Hefling	.....	D15/7
D339,143 S *	9/1993	Whitley, II	.....	D15/7
D405,806 S *	2/1999	Poon	.....	D15/7
D420,011 S *	2/2000	Tsai	.....	D15/7
D425,914 S *	5/2000	Tsai	.....	D15/7
D453,342 S *	2/2002	Wu	.....	D15/7
D453,524 S *	2/2002	Wu	.....	D15/7
D479,722 S *	9/2003	Poon	.....	D15/7
D486,159 S *	2/2004	Poon	.....	D15/7
D487,899 S *	3/2004	Poon	.....	D15/7

D491,196 S *	6/2004	Poon	.....	D15/7
D499,114 S *	11/2004	Poon	.....	D15/7
D553,646 S *	10/2007	Wu	.....	D15/7
D559,269 S *	1/2008	Wu	.....	D15/7
D782,540 S *	3/2017	Zhang	.....	D15/7
D804,536 S *	12/2017	Bao	.....	D15/7
D807,402 S *	1/2018	Flora	.....	D15/7
D869,507 S *	12/2019	Huang	.....	D15/7
D869,508 S *	12/2019	Huang	.....	D15/7
D869,509 S *	12/2019	Huang	.....	D15/7
D879,154 S *	3/2020	Huang	.....	D15/7
D886,158 S *	6/2020	Zhang	.....	D15/7

**OTHER PUBLICATIONS**

BOMPOW, Air Pump for Inflatables Air Mattress Pump Air Bed Pool Toy Raft Boat Quick Electric Air Pump Black (AC Pump(300W)), (date first available Jan. 27, 2019), Amazon.com; URL:<https://www.amazon.com/dp/B07N69DSY5> (Year: 2019).\*

(Continued)

*Primary Examiner* — Sheryl Lane  
*Assistant Examiner* — Mark T. Philipps

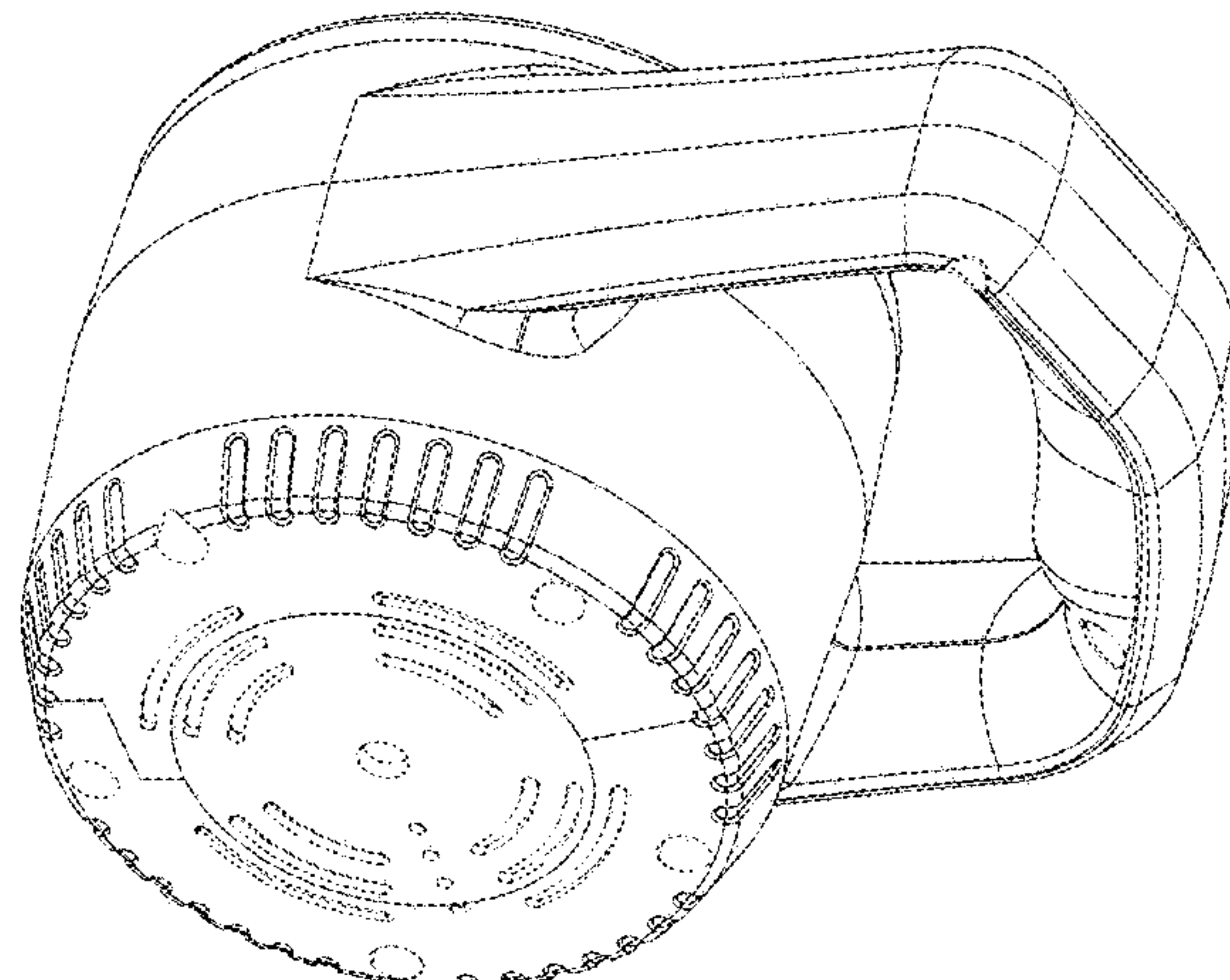
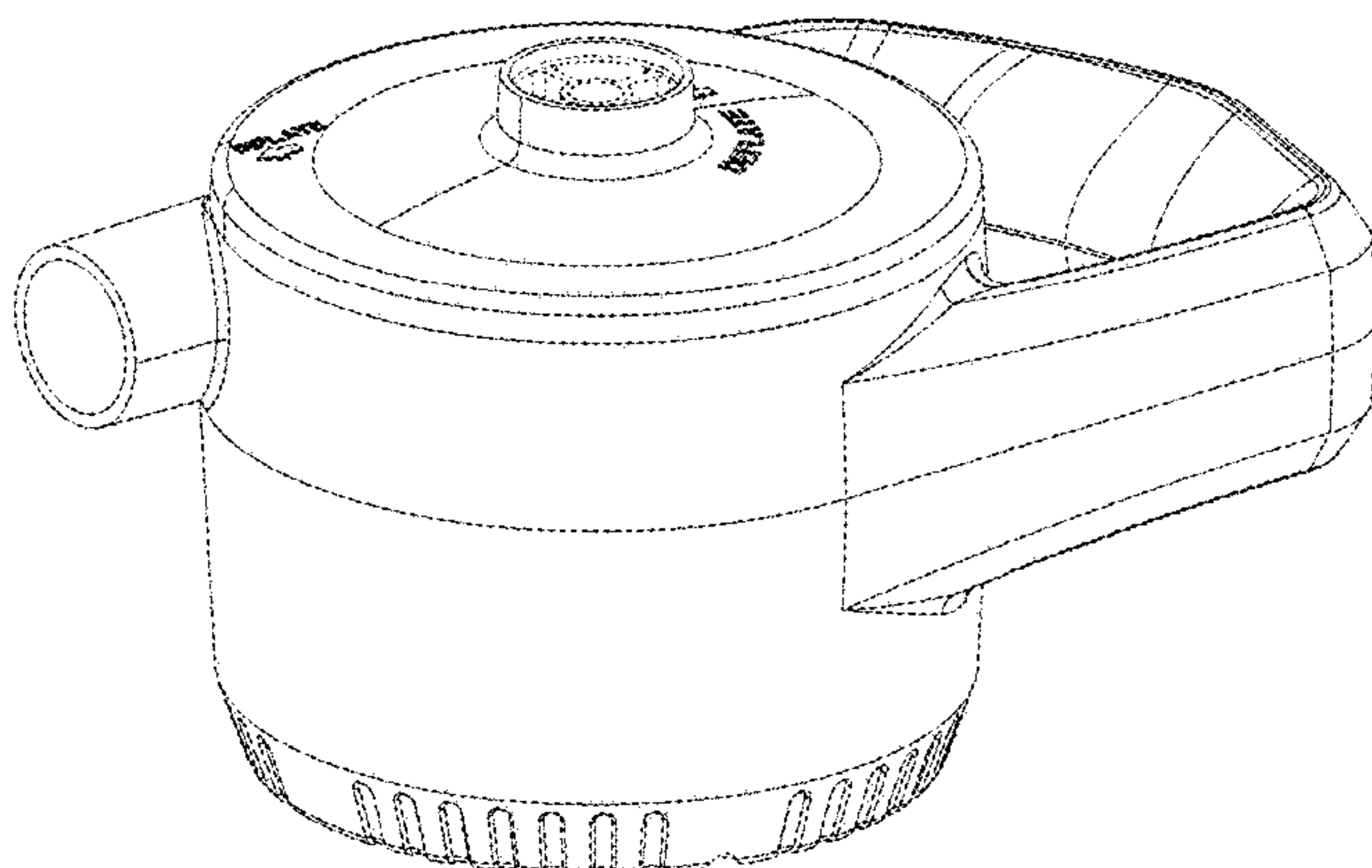
(57) **CLAIM**

The ornamental design for an air pump, as shown and described.

**DESCRIPTION**

FIG. 1 is a perspective view of an air pump showing the claimed design;  
FIG. 2 is another perspective view thereof;  
FIG. 3 is a top plan view thereof;  
FIG. 4 is a rear elevational view thereof;  
FIG. 5 is a bottom plan view thereof;  
FIG. 6 is a right side view thereof;  
FIG. 7 is a front elevational view thereof; and,  
FIG. 8 is a left side view thereof.  
The broken lines illustrate portions of the air pump that form no part of the claimed design.

**1 Claim, 8 Drawing Sheets**



(56)

**References Cited**

OTHER PUBLICATIONS

Tomight, Electric Air Pump Rechargeable Portable Air Mattress Pump for Inflatables Quick-Fill Inflator Deflator, (first available Sep. 20, 2019), Amazon.com, URL:<<https://www.amazon.com/Tomight-Electric-Rechargeable-Quick-Fill-Inflatable/dp/B07Y53YP6K>> (Year: 2019).\*

Baiouda, Air Pump Air Mattress Pump for Inflatable Blow up Pool Raft Bed Boat Toy Exercise Ball Quick-Fill AC Inflator Deflator, (first available May 30, 2018), Amazon.com, URL:<<https://www.amazon.com/Mattress-Inflatable-Exercise-Quick-Fill-Inflator/dp/B07DDKNR4Q>> (Year: 2018).\*

\* cited by examiner

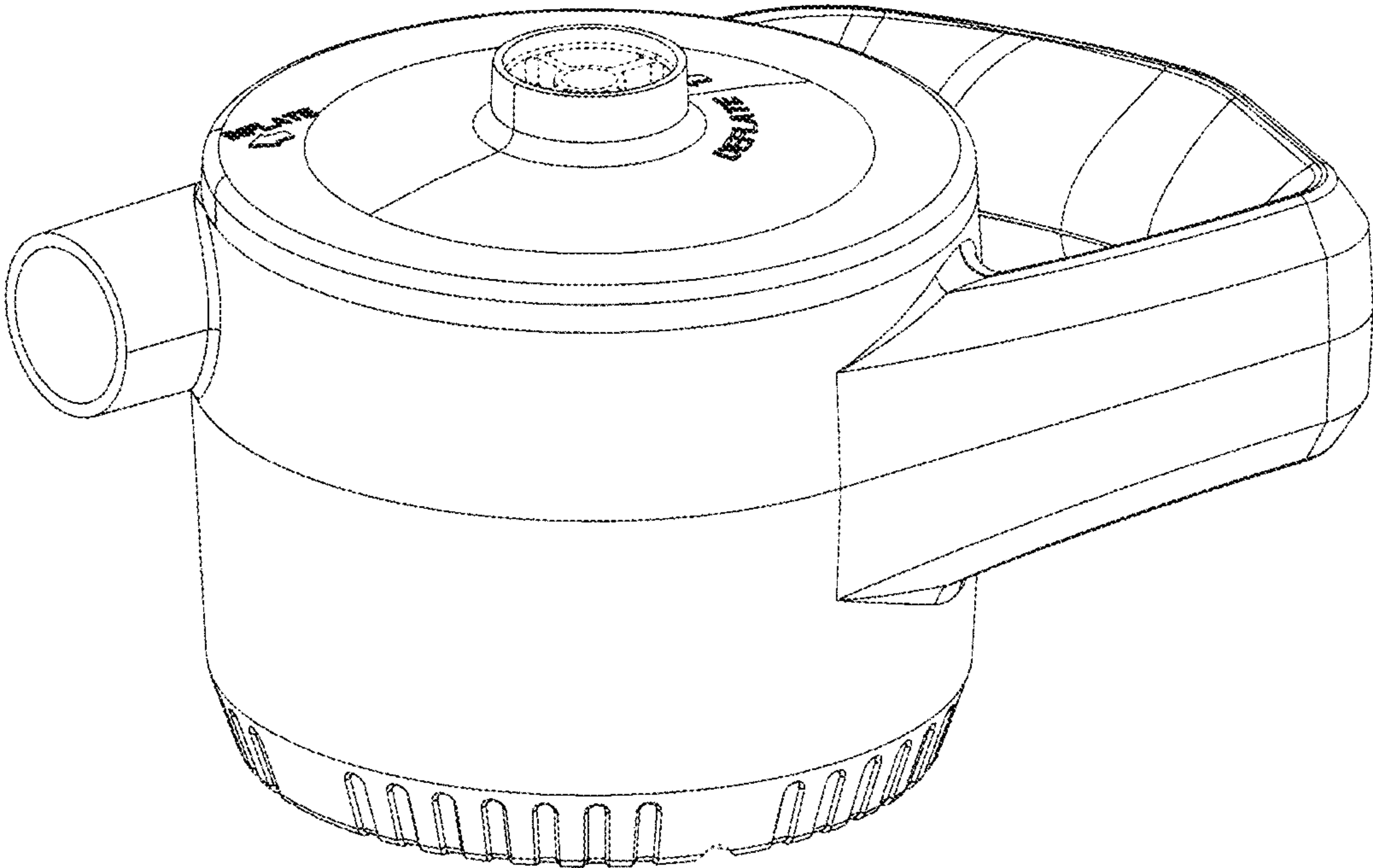


FIG.1

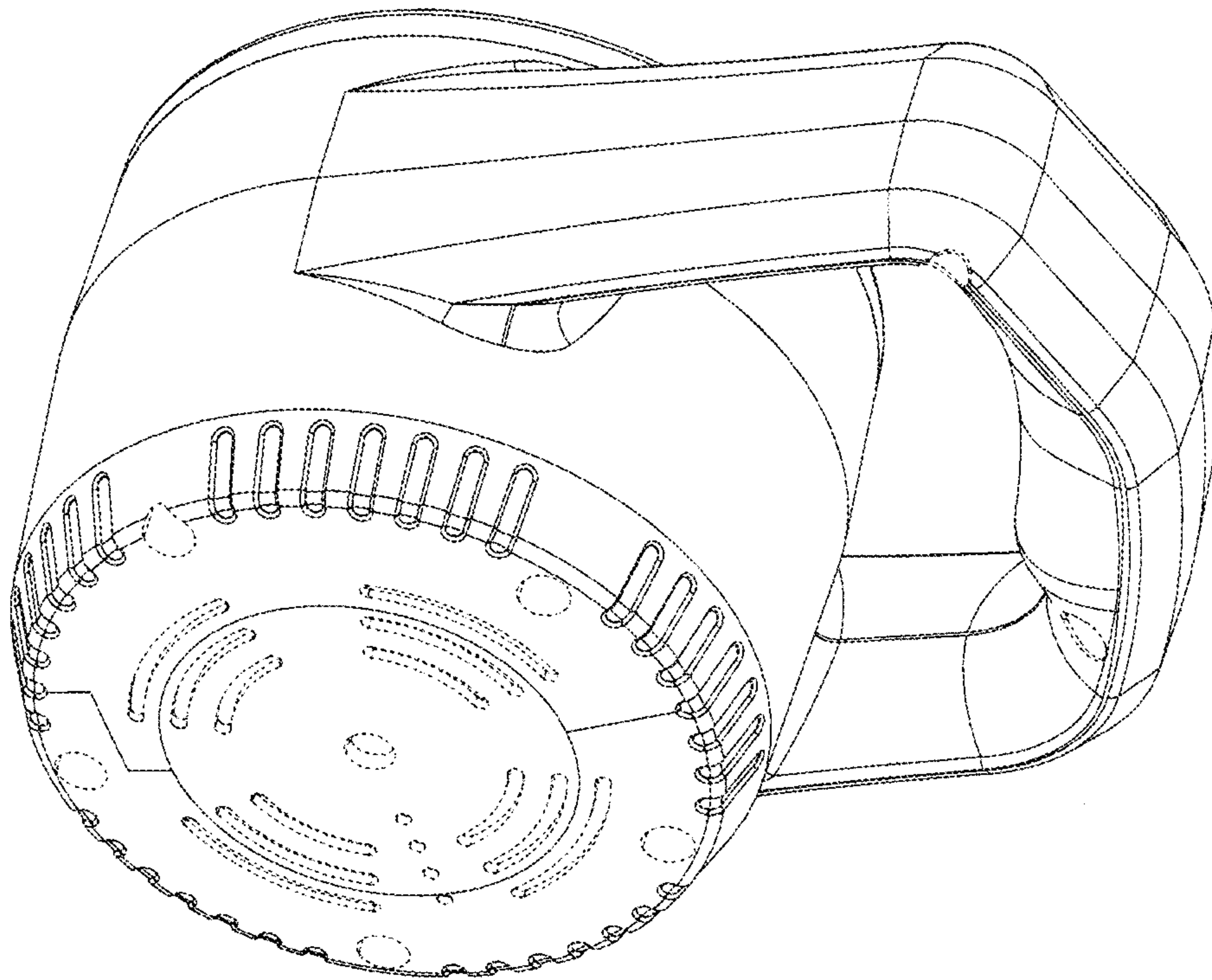


FIG.2



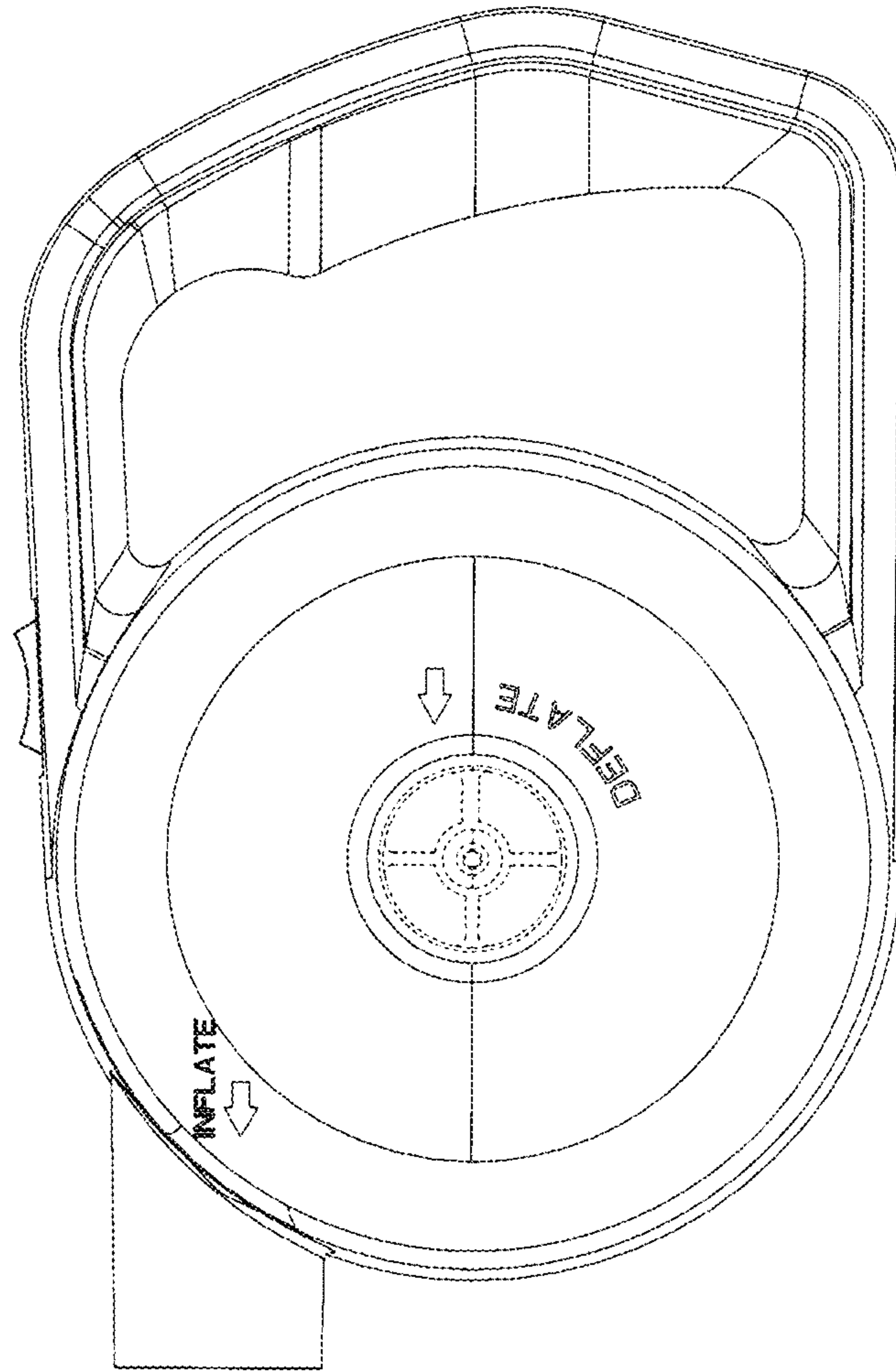


FIG.3

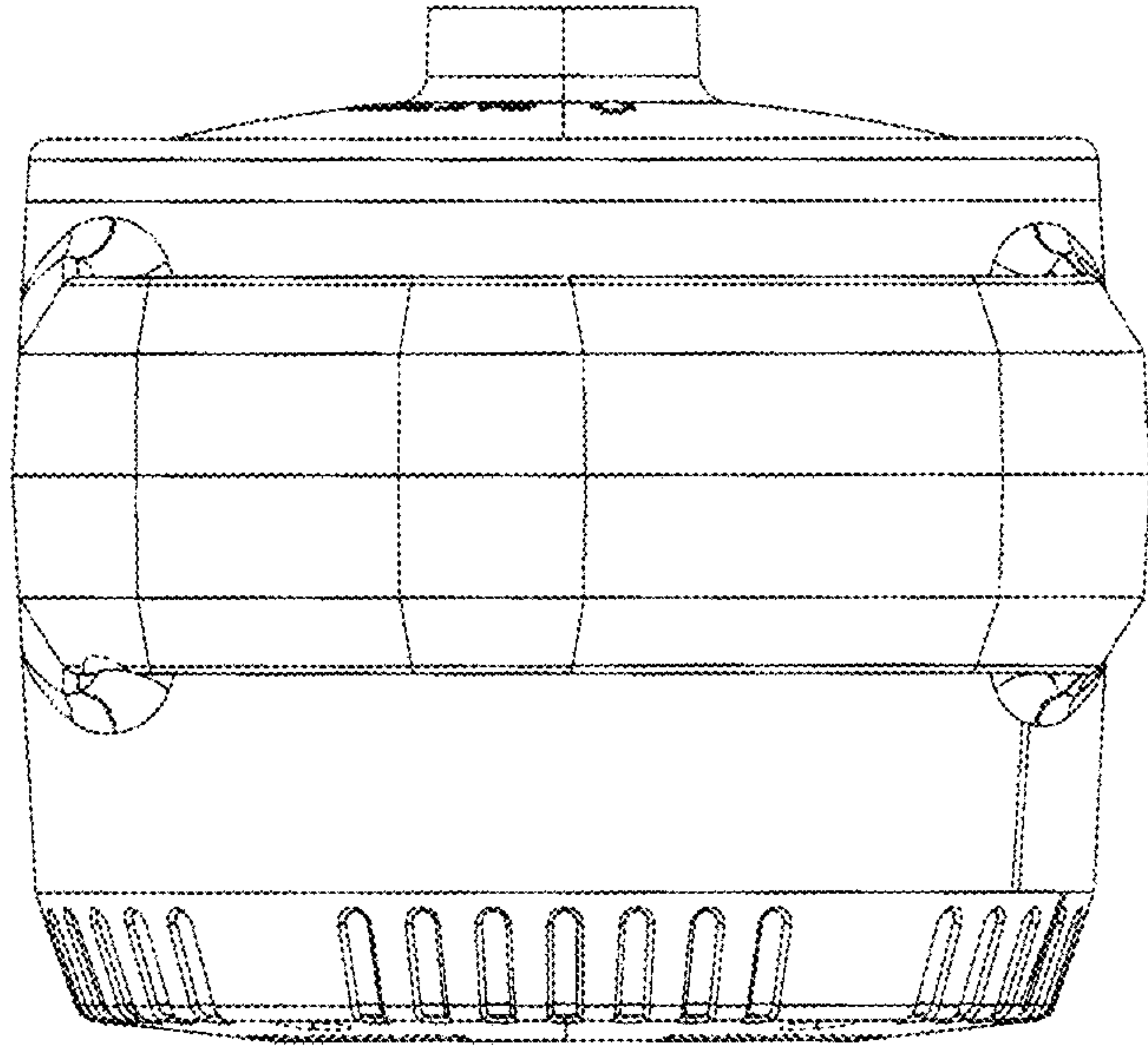


FIG.4

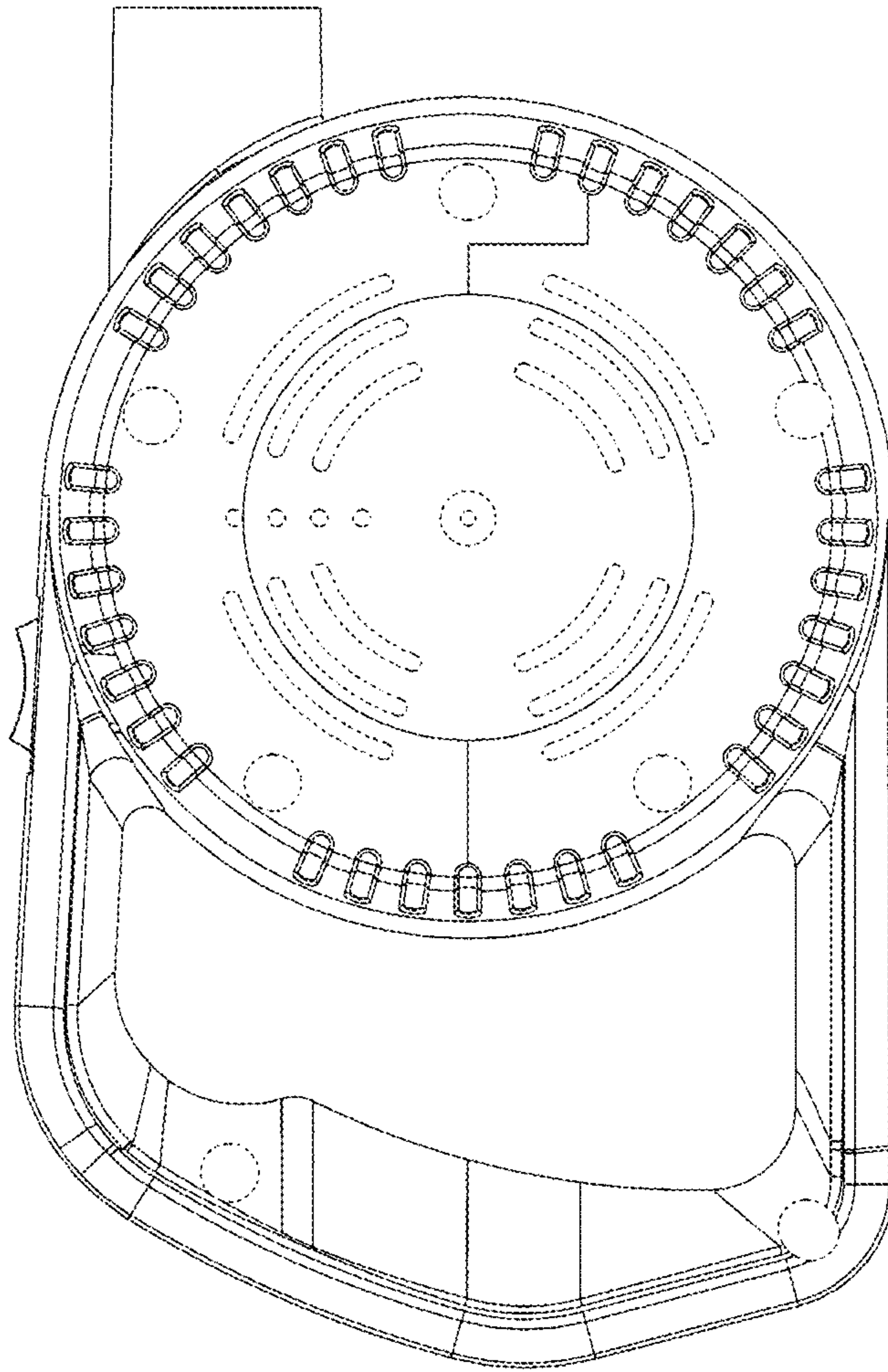


FIG.5

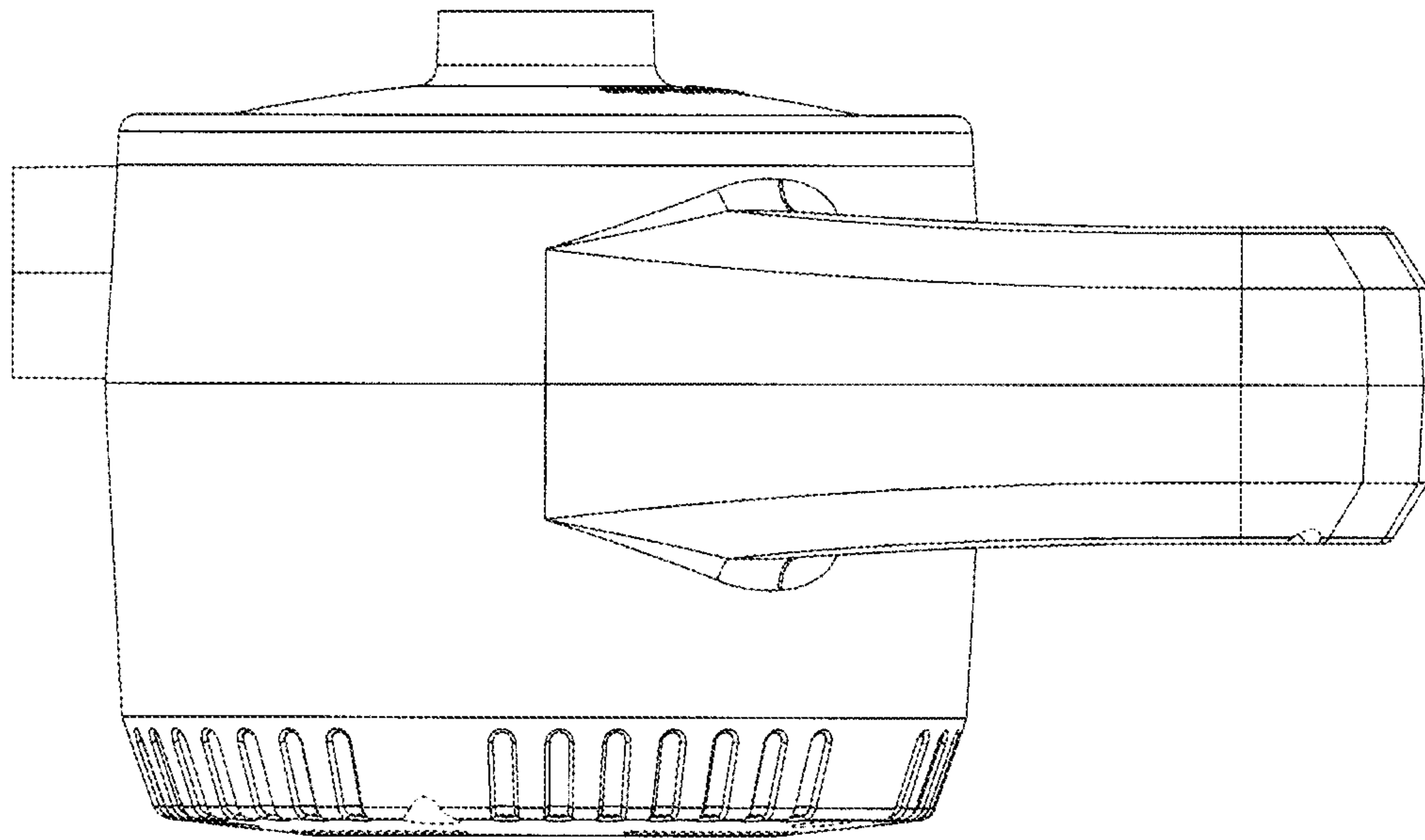


FIG.6



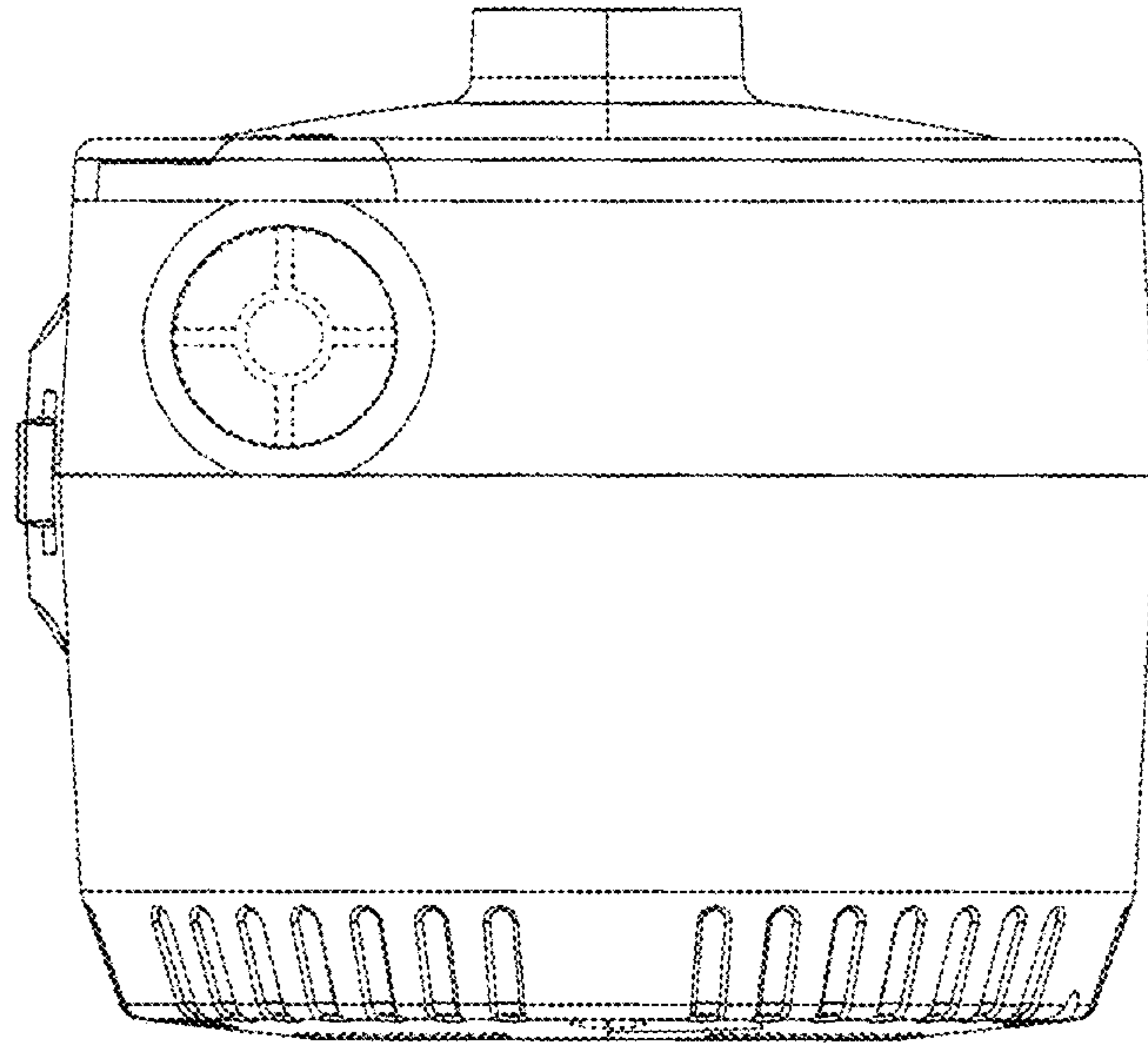


FIG.7

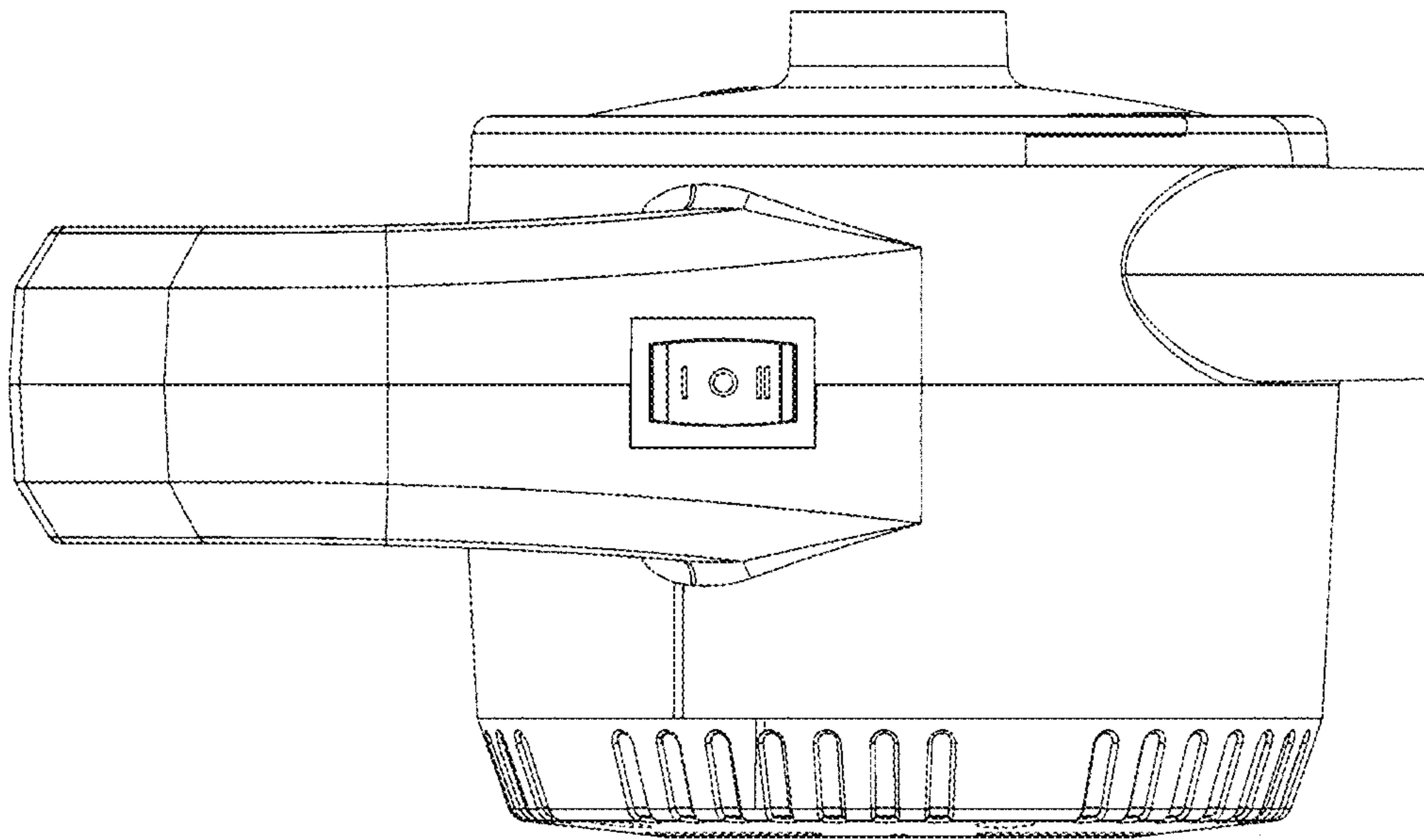


FIG. 8

UNITED STATES PATENT AND TRADEMARK OFFICE  
**CERTIFICATE OF CORRECTION**

PATENT NO. : D922,442 S  
APPLICATION NO. : 29/700755  
DATED : June 15, 2021  
INVENTOR(S) : Yingan Liu

Page 1 of 1

It is certified that error appears in the above-identified patent and that said Letters Patent is hereby corrected as shown below:

On the Title Page

Item (73) should read -- JIANGSU YOUMAY ELECTRIC APPLIANCE CO., LTD --

Signed and Sealed this  
Twenty-first Day of December, 2021



Drew Hirshfeld  
*Performing the Functions and Duties of the  
Under Secretary of Commerce for Intellectual Property and  
Director of the United States Patent and Trademark Office*