



US00D922441S

(12) **United States Design Patent**  
**Suzuki**

(10) **Patent No.:** **US D922,441 S**

(45) **Date of Patent:** **\*\* Jun. 15, 2021**

(54) **VACUUM PUMP**

(71) Applicant: **ULVAC KIKO, INC.**, Miyazaki (JP)

(72) Inventor: **Yugo Suzuki**, Miyazaki (JP)

(73) Assignee: **ULVAC KIKO, INC.**, Miyazaki (JP)

(\*\*) Term: **15 Years**

(21) Appl. No.: **29/685,307**

(22) Filed: **Mar. 27, 2019**

(30) **Foreign Application Priority Data**

Oct. 4, 2018 (JP) ..... 2018-021827

(51) **LOC (13) Cl.** ..... **15-02**

(52) **U.S. Cl.**  
USPC ..... **D15/7**

(58) **Field of Classification Search**  
USPC ..... D15/7-9; D23/225, 231, 232, 356, 366;  
D12/114  
CPC ..... F04B 53/14; F04B 53/92; F04B 33/00;  
F04B 33/005; F04B 1/005; F04B 39/102;  
F04D 13/06; F04D 29/60; F04D 29/22;  
F04D 29/046; F04D 29/2266; F16K  
11/048; F16K 15/20; F16K 31/602; F16L  
37/18; F16L 37/20; F16L 25/00; B23P  
11/00

See application file for complete search history.

(56) **References Cited**

**U.S. PATENT DOCUMENTS**

D377,967 S *	2/1997	Rozek	.....	D15/9
D379,996 S *	6/1997	Leu	.....	D15/9
D382,883 S *	8/1997	Breitzman	.....	D15/9
D470,509 S *	2/2003	Chen	.....	D15/9
D485,281 S *	1/2004	Hsiao	.....	D15/9
D654,933 S *	2/2012	Yamanaka	.....	D15/7
D668,268 S *	10/2012	Haener	.....	D15/9
D684,999 S *	6/2013	Osaka	.....	D15/7

D700,625 S *	3/2014	Iwagoshi	.....	D15/7
D785,679 S *	5/2017	Hartung	.....	D15/7
D791,191 S *	7/2017	Hartung	.....	D15/7
D803,890 S *	11/2017	Hatesohl	.....	D15/7
D891,479 S *	7/2020	Bocato	.....	D15/9
2017/0074283 A1 *	3/2017	Manabe	.....	H01J 49/26
2018/0291890 A1 *	10/2018	Suppiger	.....	F04B 53/14

**OTHER PUBLICATIONS**

DHGate, LH-85 New Hot sale lab oilless diaphragm vacuum pump, (site visited Oct. 21, 2020), DHGate.com, URL:<https://www.dhgate.com/product/lh-85-new-hot-sale-lab-oilless-diaphragm/389591481.html#redirect\_detail=WAP2PC> (Year: 2020).  
Ulvac Kiko Inc., DTC-22K, (site visited Oct. 21, 2020), ulvac kiko website, URL:<https://ulvac-kiko.com/en/product.php?action=detail&category=1&ID=DTC-22K> (Year: 2020).\*

\* cited by examiner

*Primary Examiner* — Sheryl Lane

*Assistant Examiner* — Mark T. Philips

(74) *Attorney, Agent, or Firm* — Saliwanchik, Lloyd & Eisenschenk

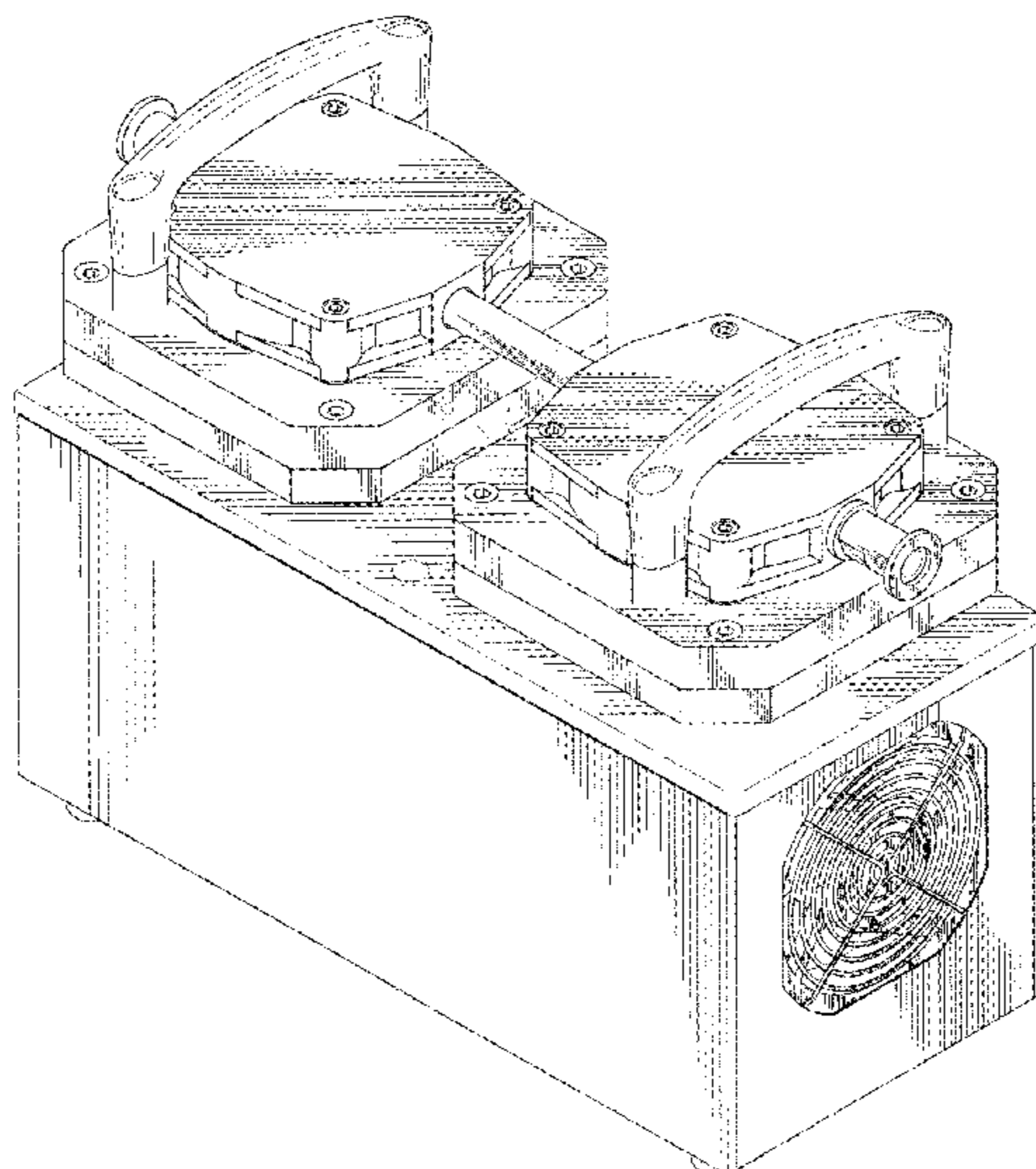
(57) **CLAIM**

The ornamental design for a vacuum pump, as shown and described.

**DESCRIPTION**

FIG. 1 is a perspective view of a vacuum pump showing my new design;  
FIG. 2 is a front elevational view thereof;  
FIG. 3 is a rear elevational view thereof;  
FIG. 4 is a right side elevational view thereof;  
FIG. 5 is a left side elevational view thereof;  
FIG. 6 is a top plan view thereof; and,  
FIG. 7 is a bottom plan view thereof.  
The broken line showing of the vacuum pump is for the purpose of illustrating portions of the article and forms no part of the claimed design.

**1 Claim, 7 Drawing Sheets**



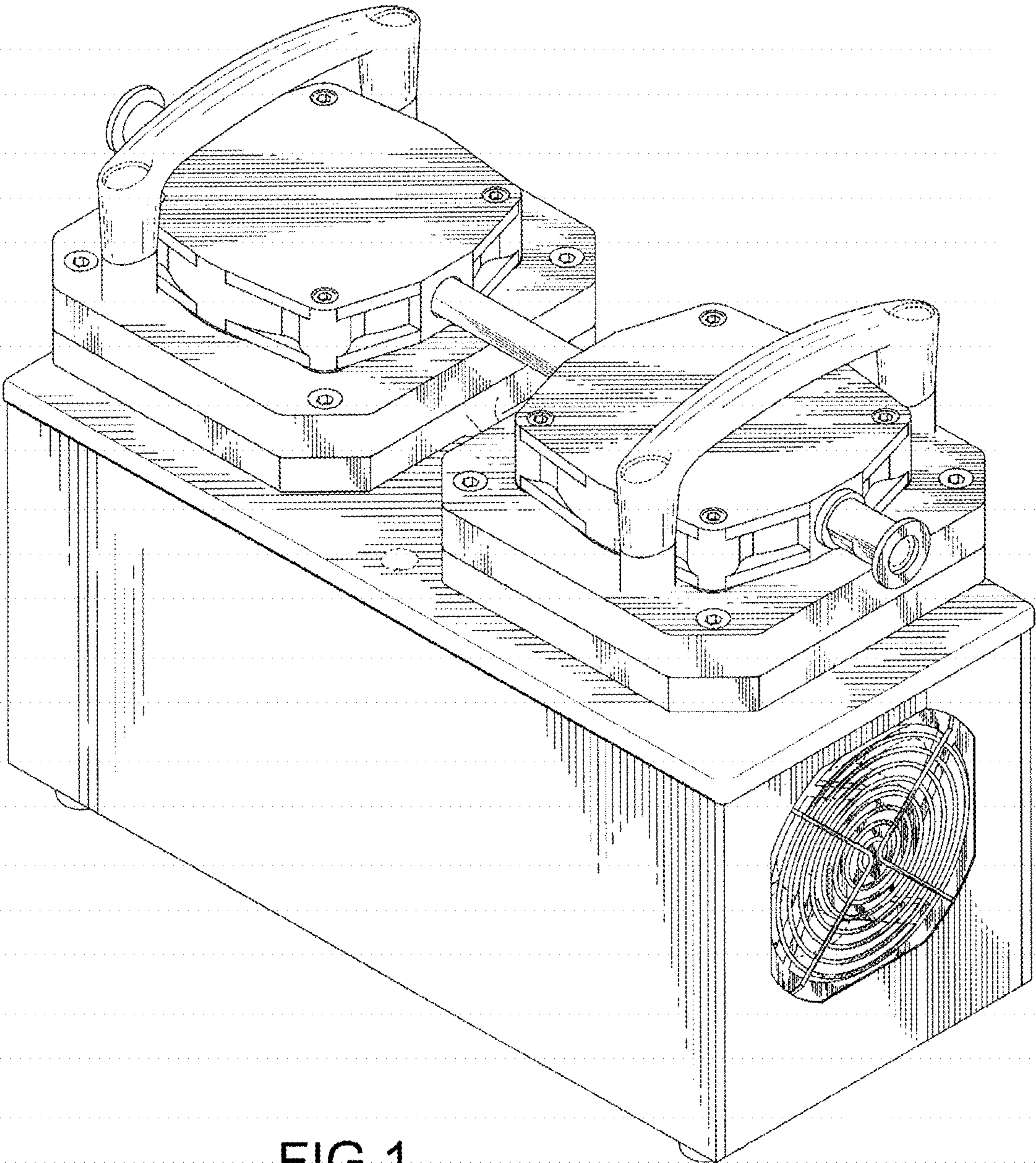


FIG. 1

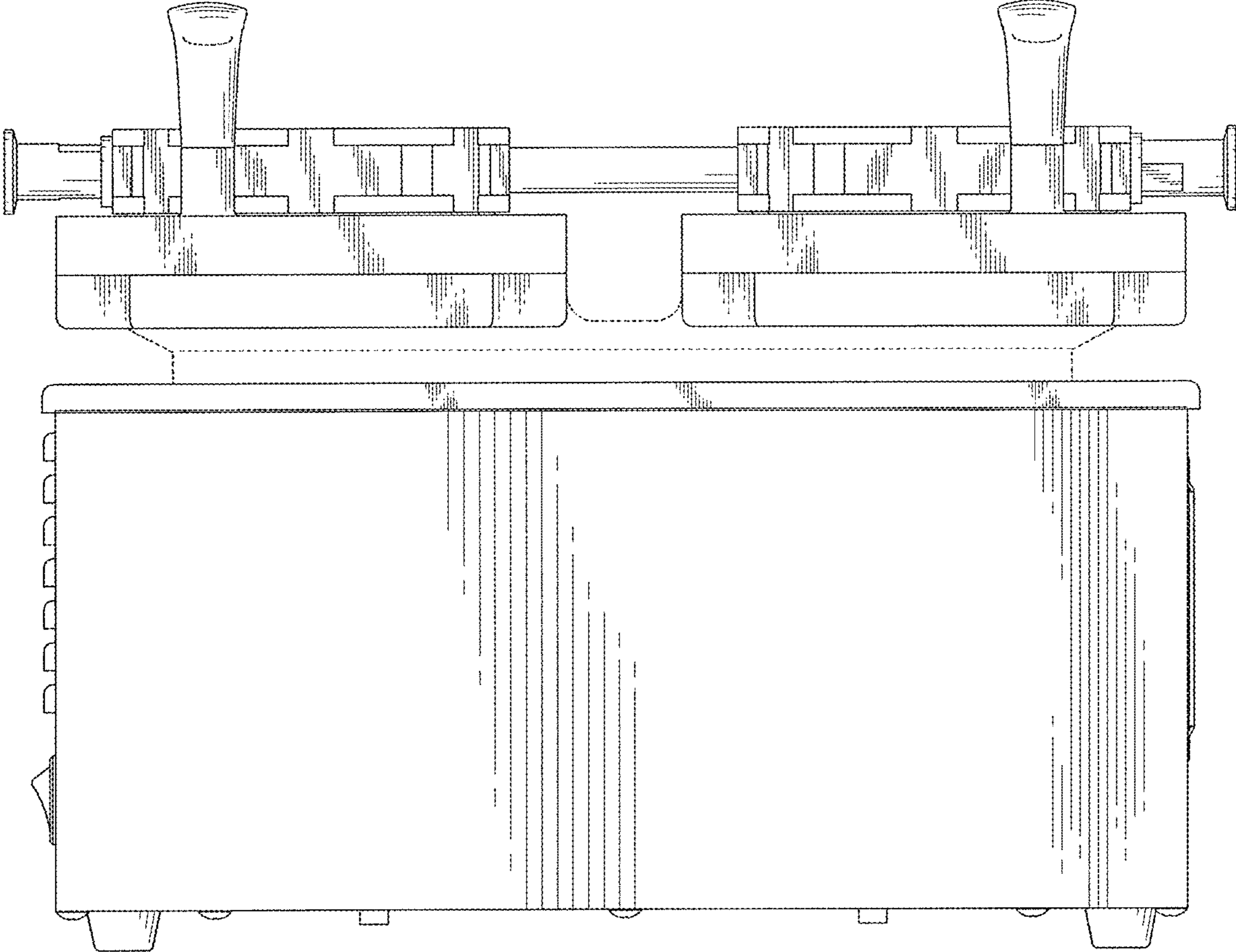


FIG.2

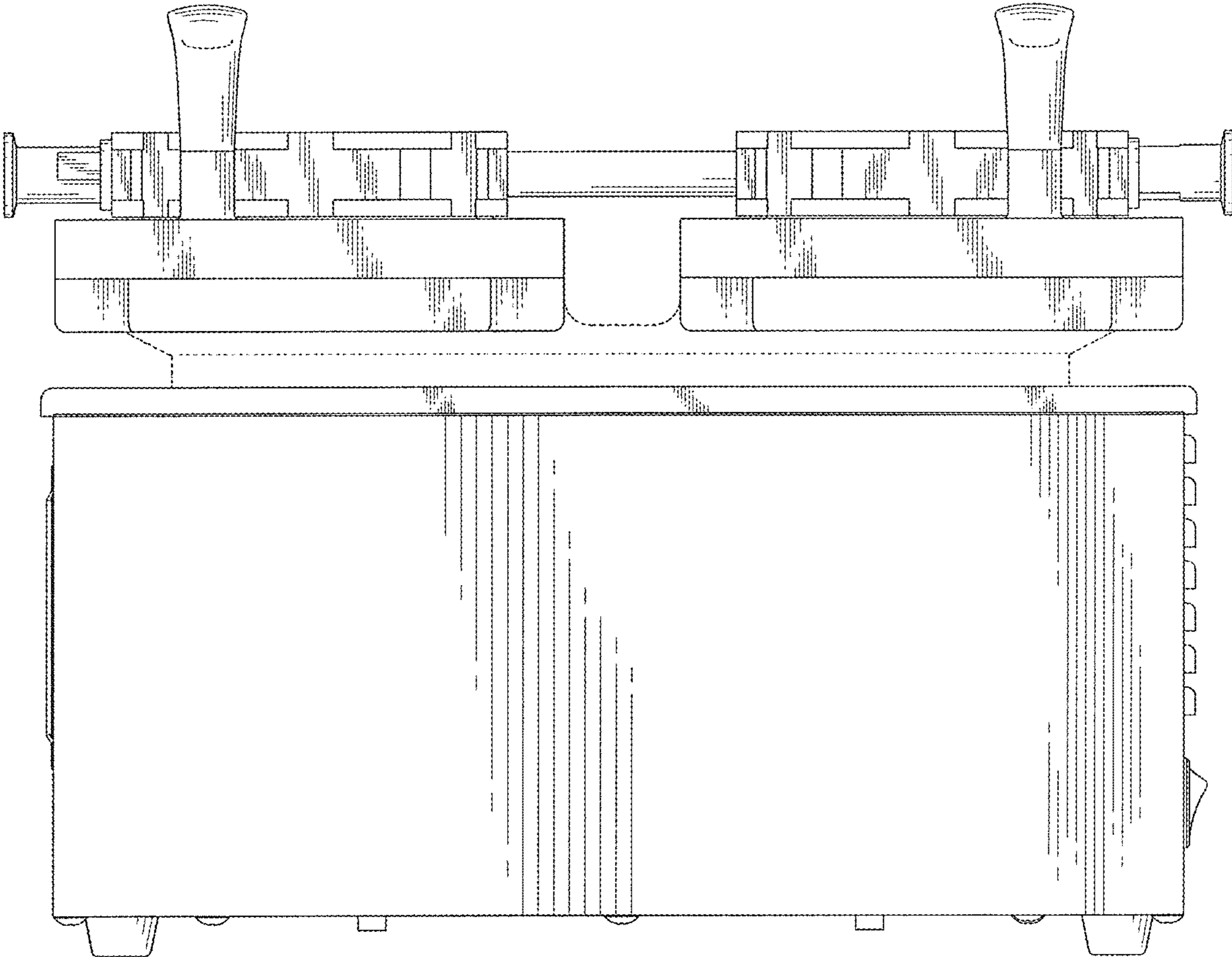


FIG.3

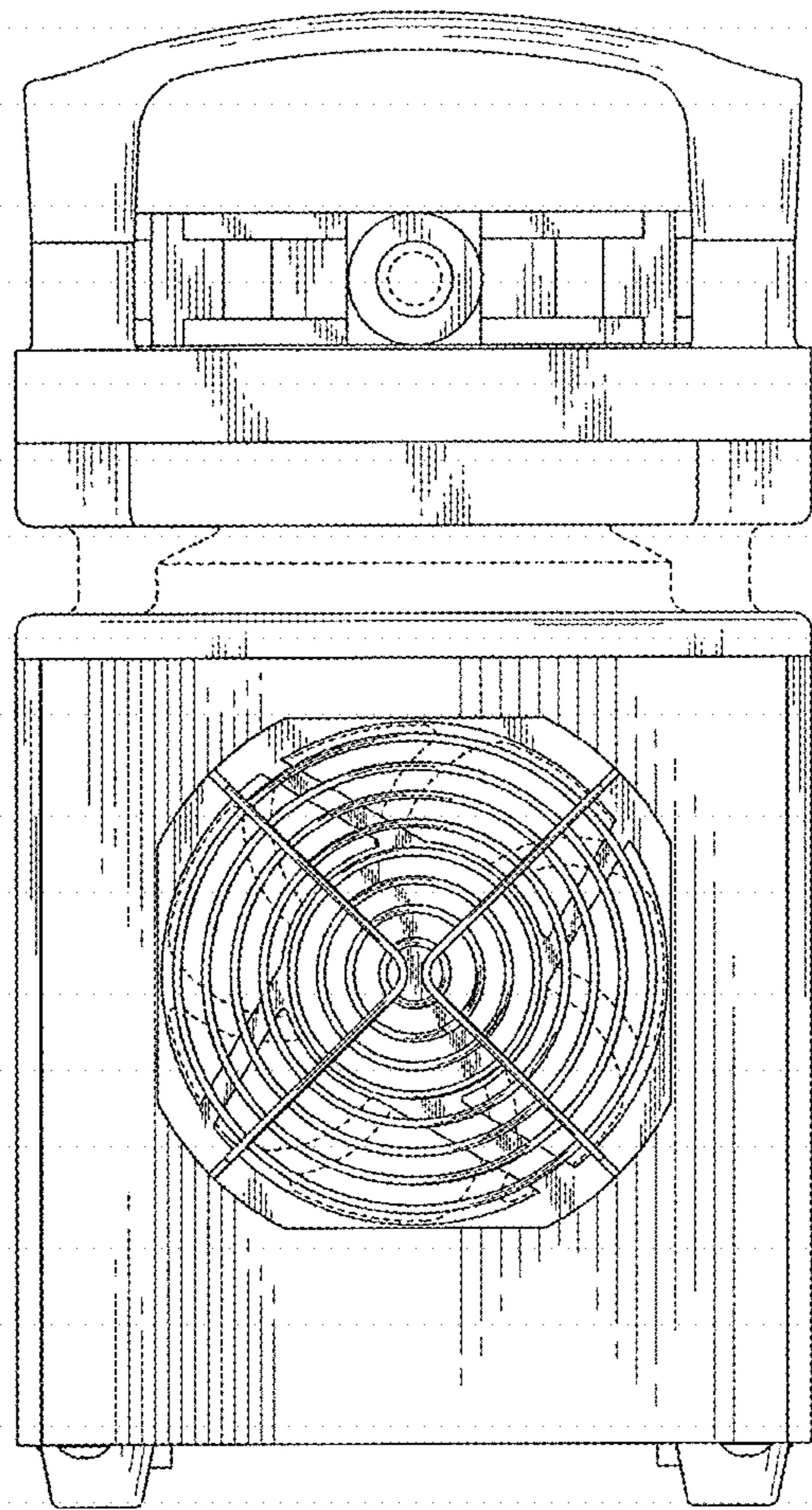


FIG.4

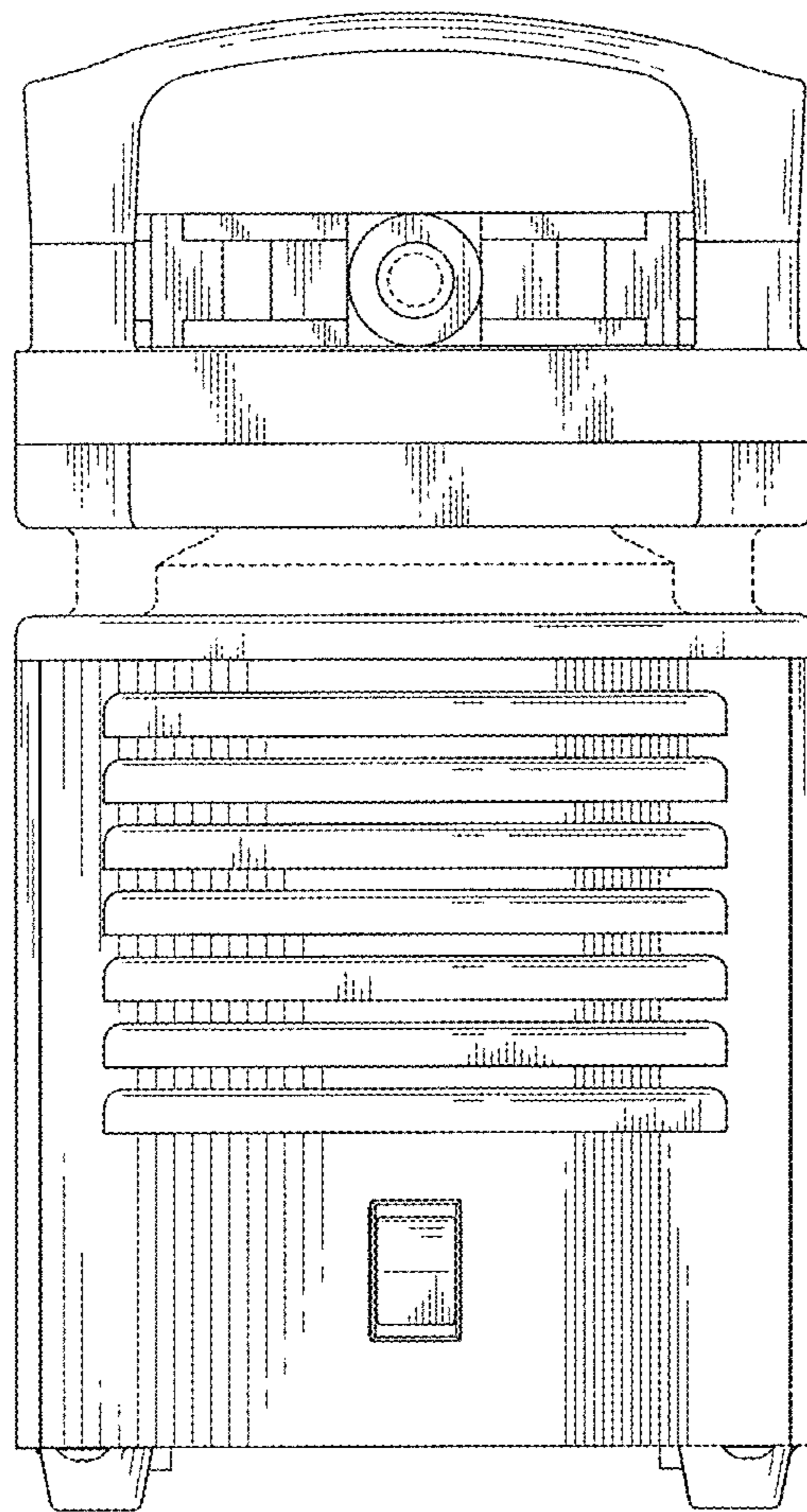


FIG.5

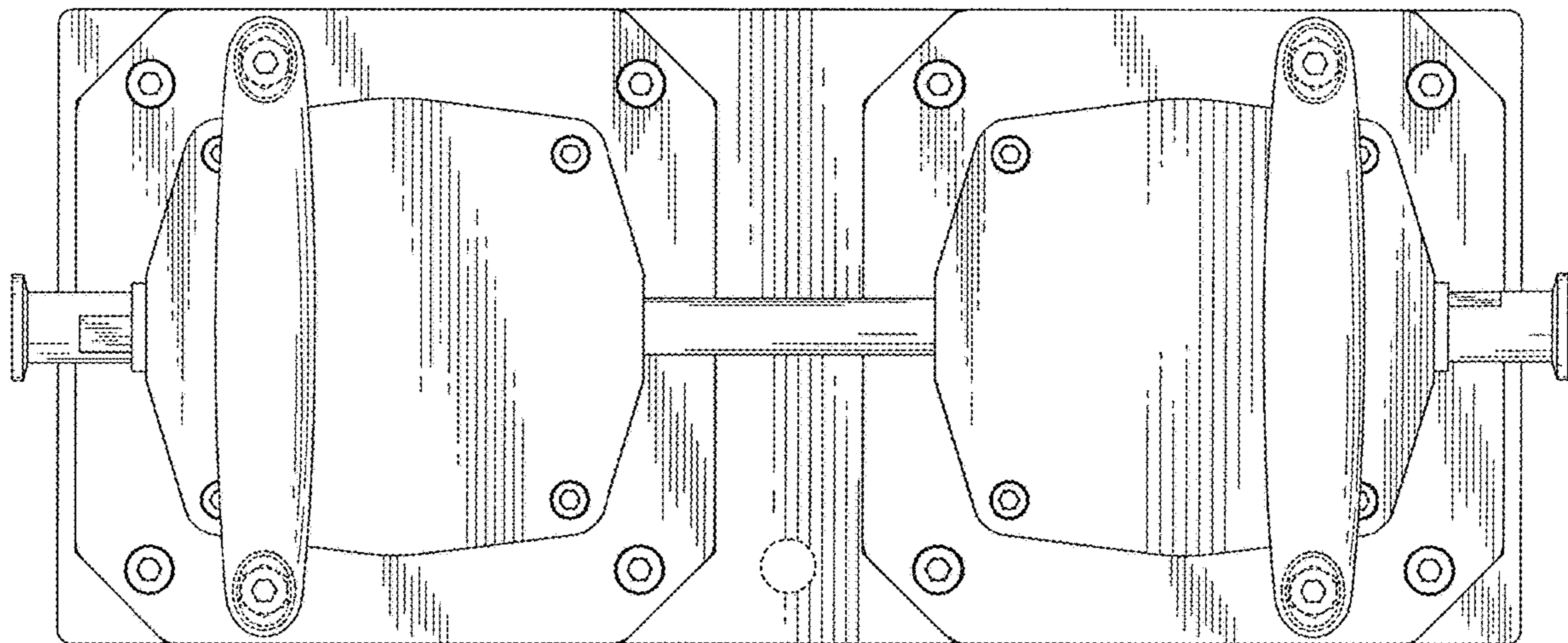


FIG.6

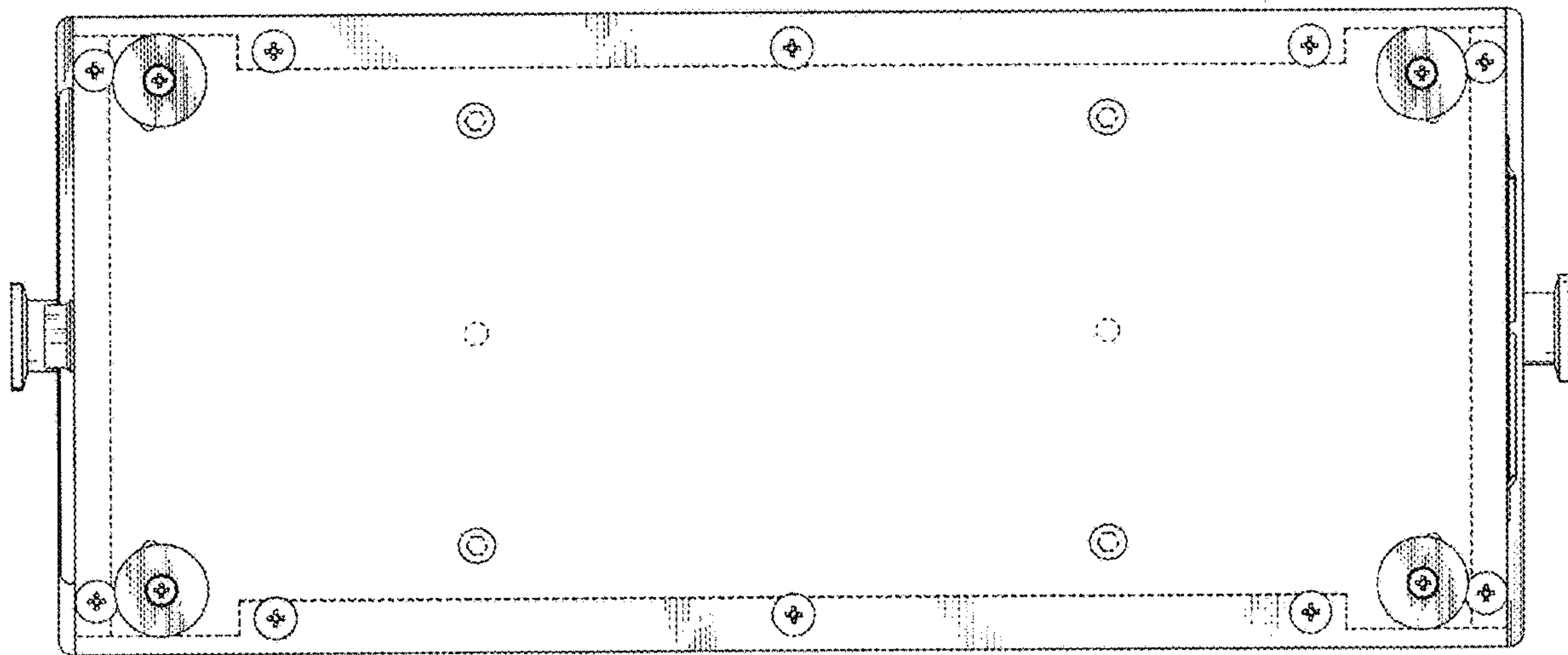


FIG.7