



US00D922440S

(12) **United States Design Patent** (10) **Patent No.:** **US D922,440 S**
Wolf et al. (45) **Date of Patent:** **** Jun. 15, 2021**

(54) **ENGINE INCORPORATING A BLOWER HOUSING**

(56) **References Cited**

U.S. PATENT DOCUMENTS

(71) Applicant: **Kohler Co.**, Kohler, WI (US)
(72) Inventors: **Christopher Wolf**, Brown Deer, WI (US); **Eric B. Hudak**, Sheboygan, WI (US); **Michelle Formanek**, Sheboygan, WI (US); **Michael E. Smies**, Waldo, WI (US)
(73) Assignee: **KOHLER CO.**
(**) Term: **15 Years**
(21) Appl. No.: **29/768,089**
(22) Filed: **Jan. 27, 2021**

D97,155 S * 10/1935 Chernow D18/24
D97,432 S * 11/1935 Chernow D18/24
D97,840 S * 12/1935 Chernow D18/24
3,822,487 A * 7/1974 Koch A63F 9/0098
434/172
D379,995 S 6/1997 Gilmore
D396,045 S 7/1998 Neeley
D428,074 S * 7/2000 Bitton D18/24
D487,700 S 3/2004 Bourque et al.
D527,022 S 8/2006 Walters
D594,878 S 6/2009 Post et al.
7,594,484 B2 9/2009 Lavender et al.

(Continued)

Primary Examiner — Mark A Goodwin
(74) *Attorney, Agent, or Firm* — The Belles Group, P.C.

(57) **CLAIM**

The ornamental design for an engine incorporating a blower housing, as shown and described.

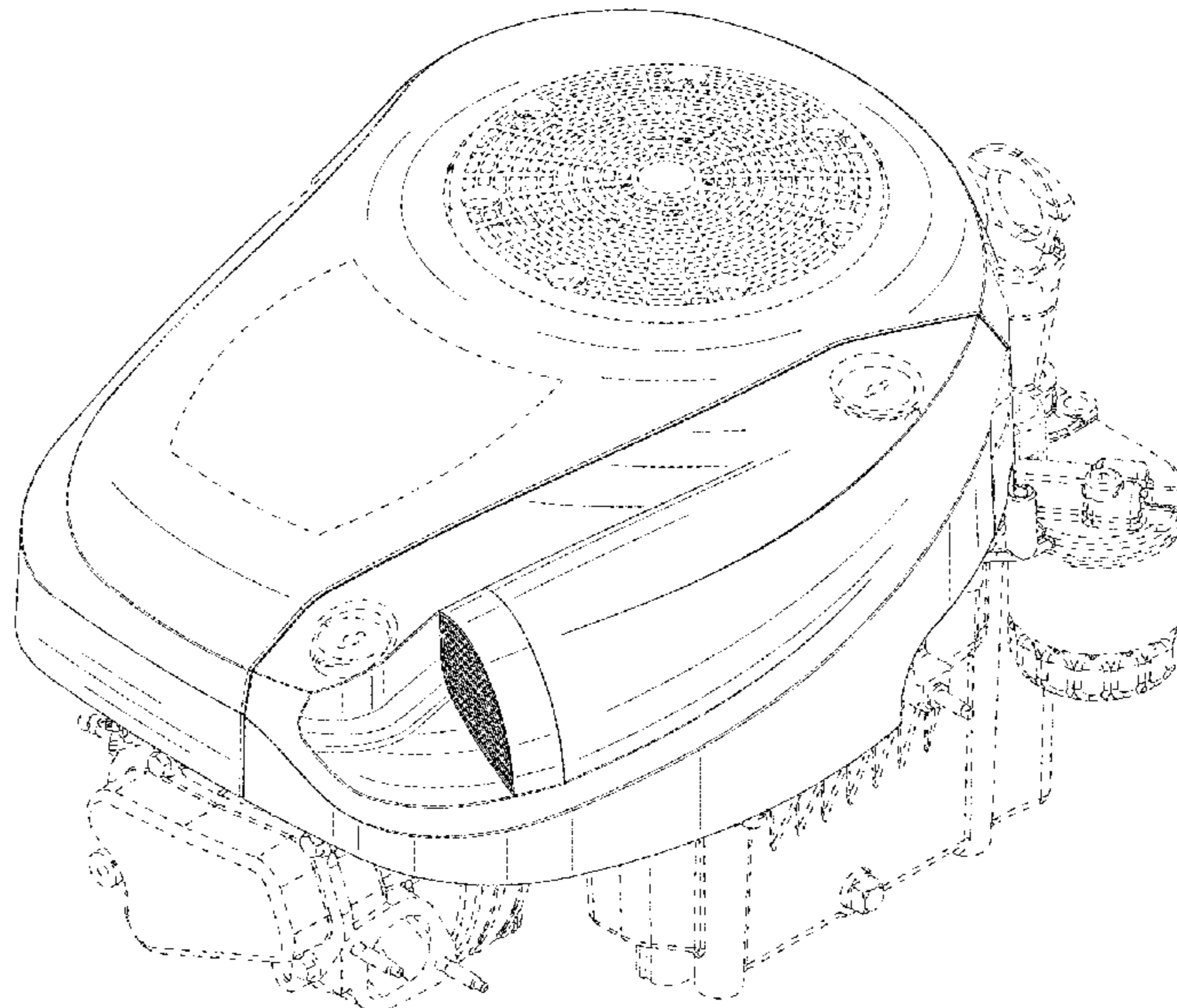
DESCRIPTION

FIG. 1 is a front-right top perspective view of an engine incorporating a blower housing according to the new design; FIG. 2 is a front-left top perspective view thereof; FIG. 3 is a rear-right top perspective view thereof; FIG. 4 is a rear-left top perspective view thereof; FIG. 5 is a front-right bottom perspective view thereof; FIG. 6 is a front-left bottom perspective view thereof; FIG. 7 is a rear-left bottom perspective view thereof; FIG. 8 is a rear-right bottom perspective view thereof; FIG. 9 is a front plan view thereof; FIG. 10 is a rear plan view thereof; FIG. 11 is a right-side plan view thereof; FIG. 12 is a left-side plan view thereof; FIG. 13 is a top plan view thereof; and, FIG. 14 is a bottom plan view thereof.
All broken lines shown in the drawings are for environmental purposes only and form no part of the claimed design.

Related U.S. Application Data

(62) Division of application No. 29/640,361, filed on Mar. 14, 2018, now Pat. No. Des. 912,093.
(51) **LOC (13) Cl.** **15-01**
(52) **U.S. Cl.**
USPC **D15/5**
(58) **Field of Classification Search**
USPC D15/1-6, 14, 9.1, 12, 17, 28, 149;
123/22.41, 34, 51 A, 606 R, 52.1, 50 A,
123/50 B, 54.1, 54.2, 54.4, 54.5, 65 R,
123/195 R, 195 HC, 657, 311; D18/24,
D18/30
CPC F02B 2075/027; F02B 2075/1816; F02B
2075/025; F02B 2075/1808; F02B 75/20;
F02B 75/22; F02B 2275/18; F02B
2275/20; F02B 77/13; F02B 77/00; F02B
63/04
See application file for complete search history.

1 Claim, 14 Drawing Sheets



(56)

References Cited

U.S. PATENT DOCUMENTS

D615,557	S	5/2010	Mayer et al.	
D655,310	S	3/2012	Tiefenthaler et al.	
D665,426	S	8/2012	Tiefenthaler	
D667,464	S	9/2012	Tiefenthaler	
D687,709	S	8/2013	Taylor	
D692,049	S	* 10/2013	Masamoto	D18/24
8,746,485	B1	6/2014	Tiefenthaler	
D721,423	S	1/2015	Jacques et al.	
D733,186	S	6/2015	Bink et al.	
D733,187	S	6/2015	Bink et al.	
D733,762	S	7/2015	Bink et al.	
D735,762	S	8/2015	Andren et al.	
D735,763	S	8/2015	Andren et al.	
D735,764	S	8/2015	Andren et al.	
D735,765	S	8/2015	Andren et al.	
D735,767	S	8/2015	Andren et al.	
D735,768	S	8/2015	Andren et al.	
D736,264	S	8/2015	Andren et al.	
D742,922	S	11/2015	Andren et al.	
D742,923	S	11/2015	Andren et al.	
D742,924	S	11/2015	Andren et al.	
D784,413	S	4/2017	Thorn et al.	
D787,558	S	5/2017	Thorn et al.	
D795,298	S	8/2017	Hanna et al.	
2006/0124644	A1	6/2006	Dehn	
2010/0089919	A1	4/2010	Dunkle et al.	

* cited by examiner

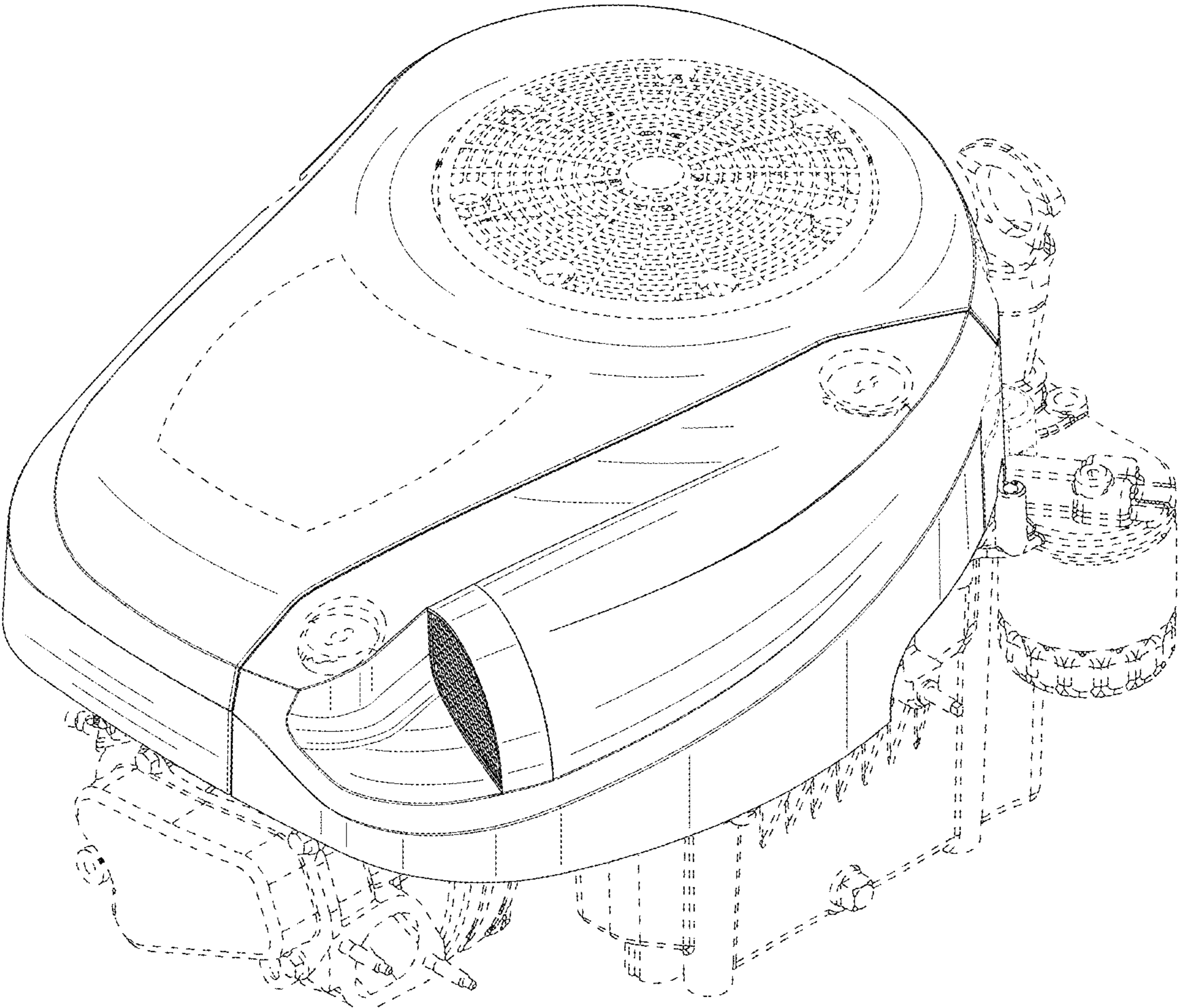


FIG. 1

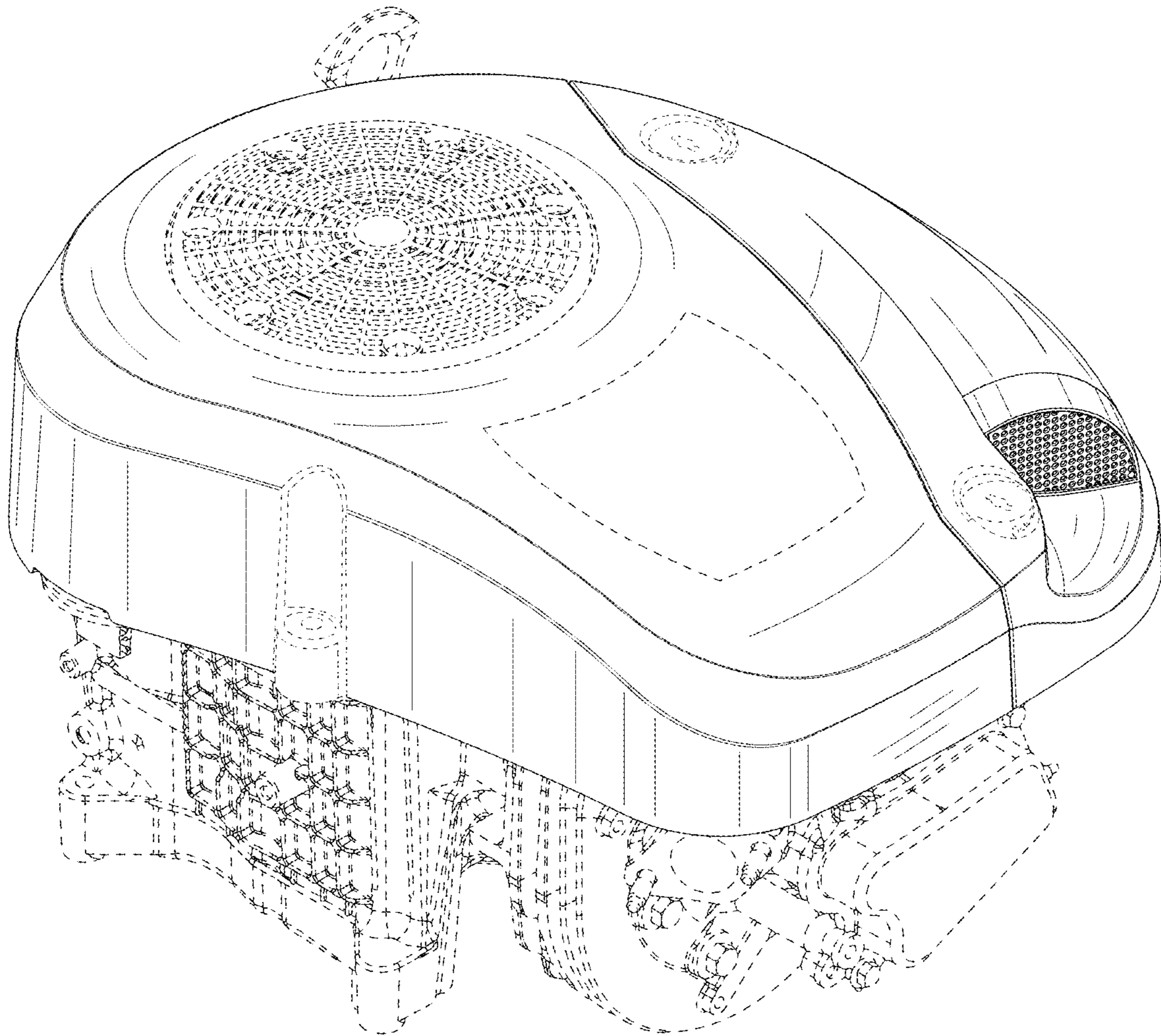


FIG. 2

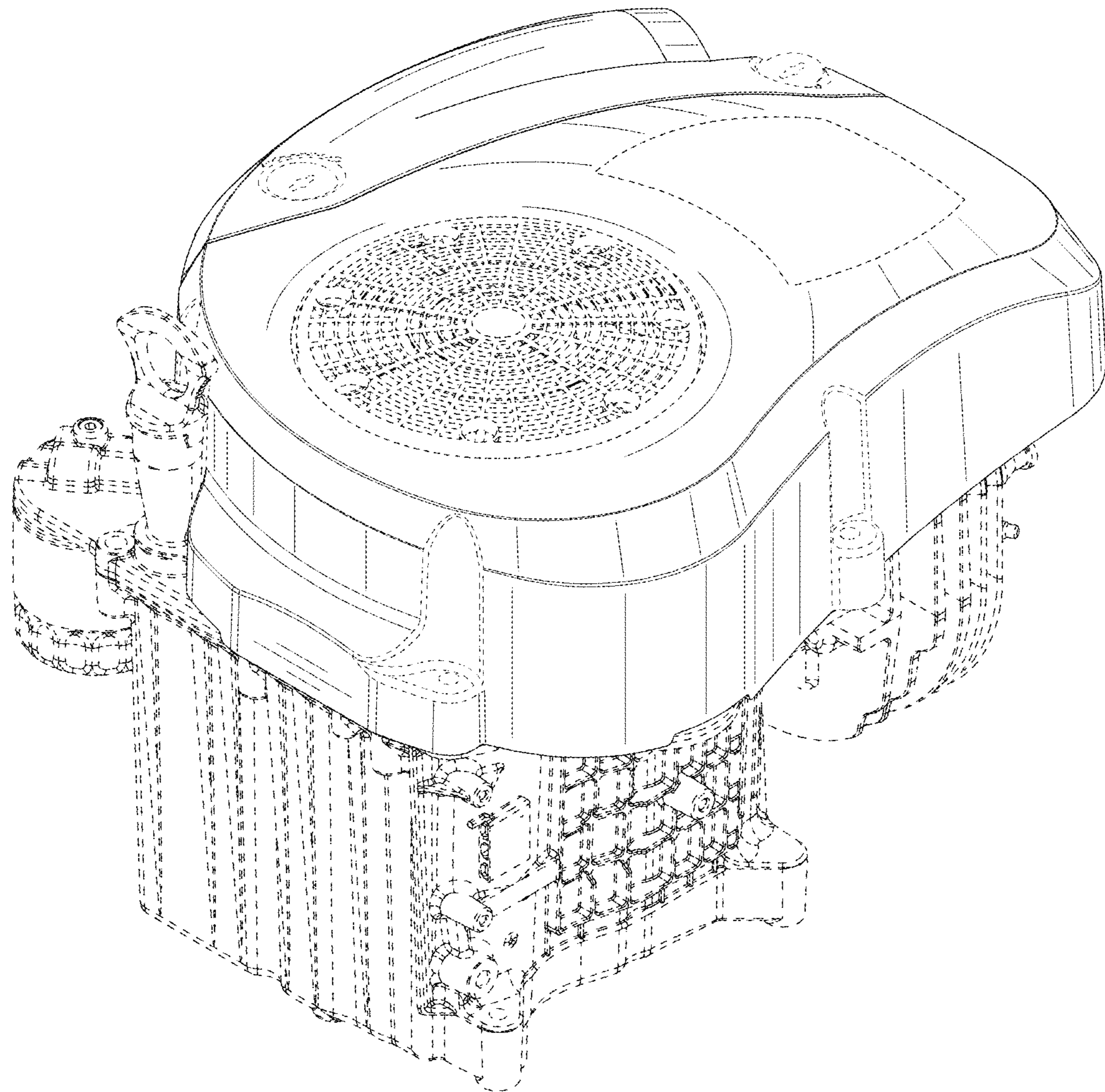


FIG. 3

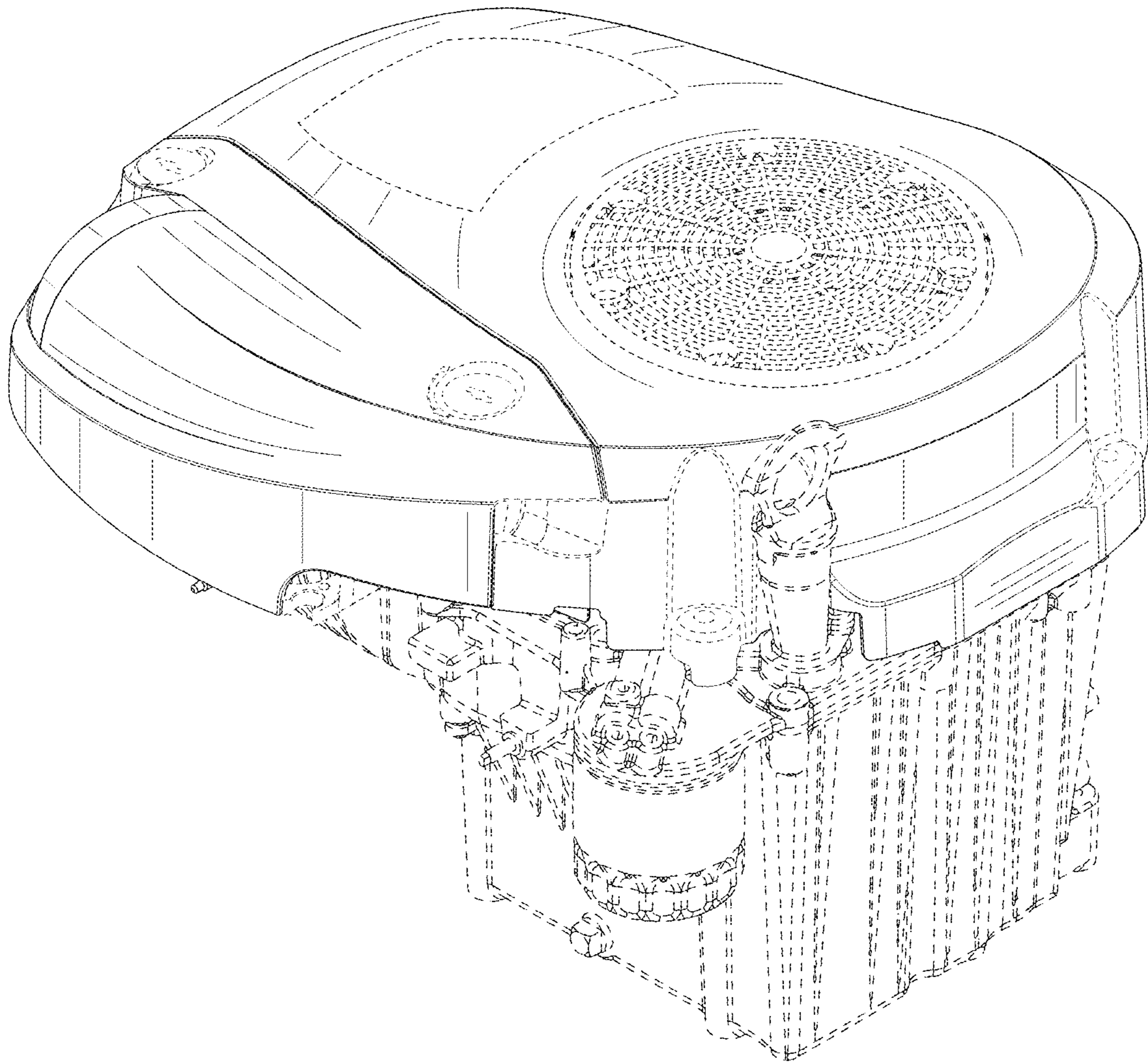


FIG. 4

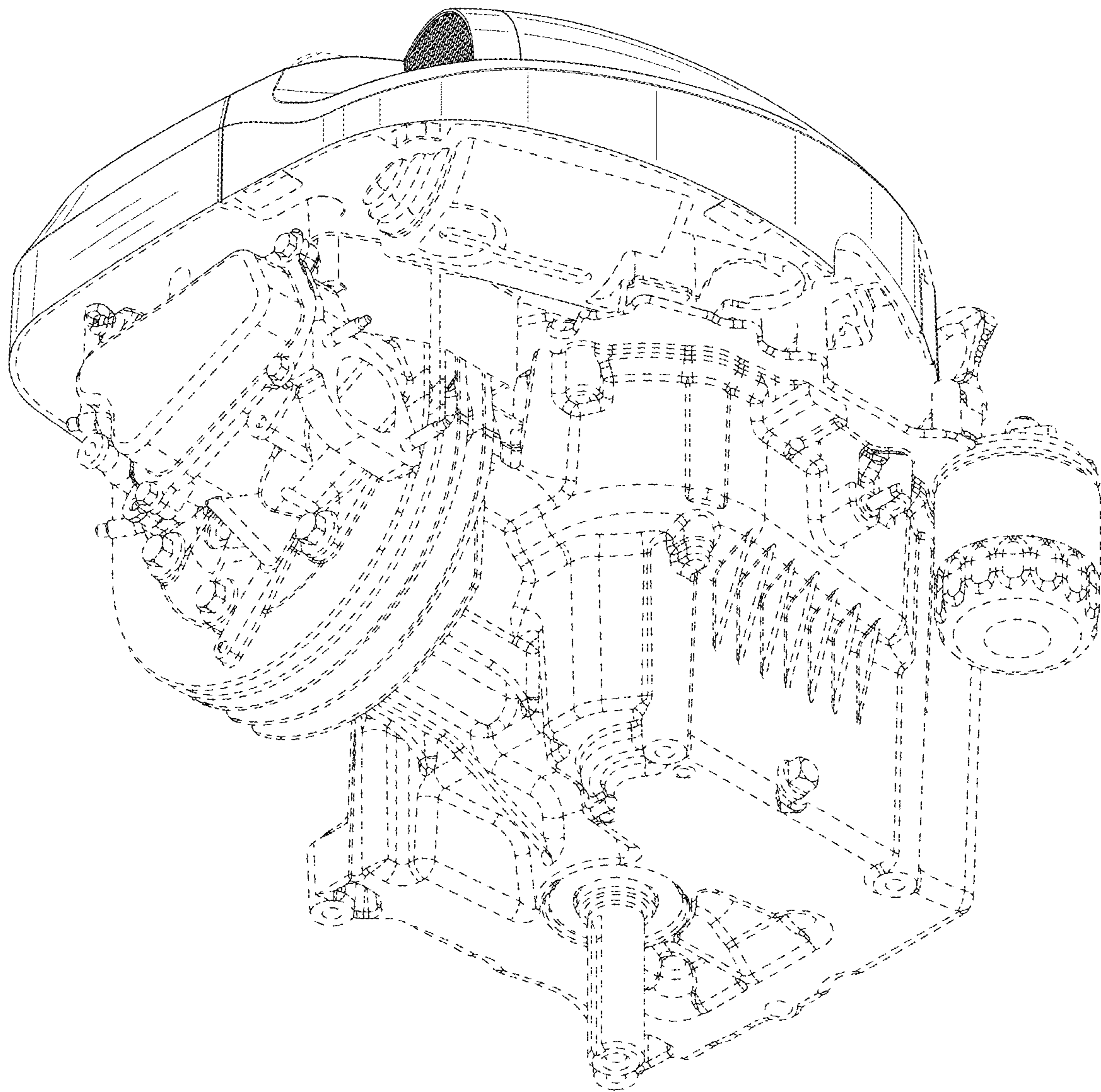


FIG. 5

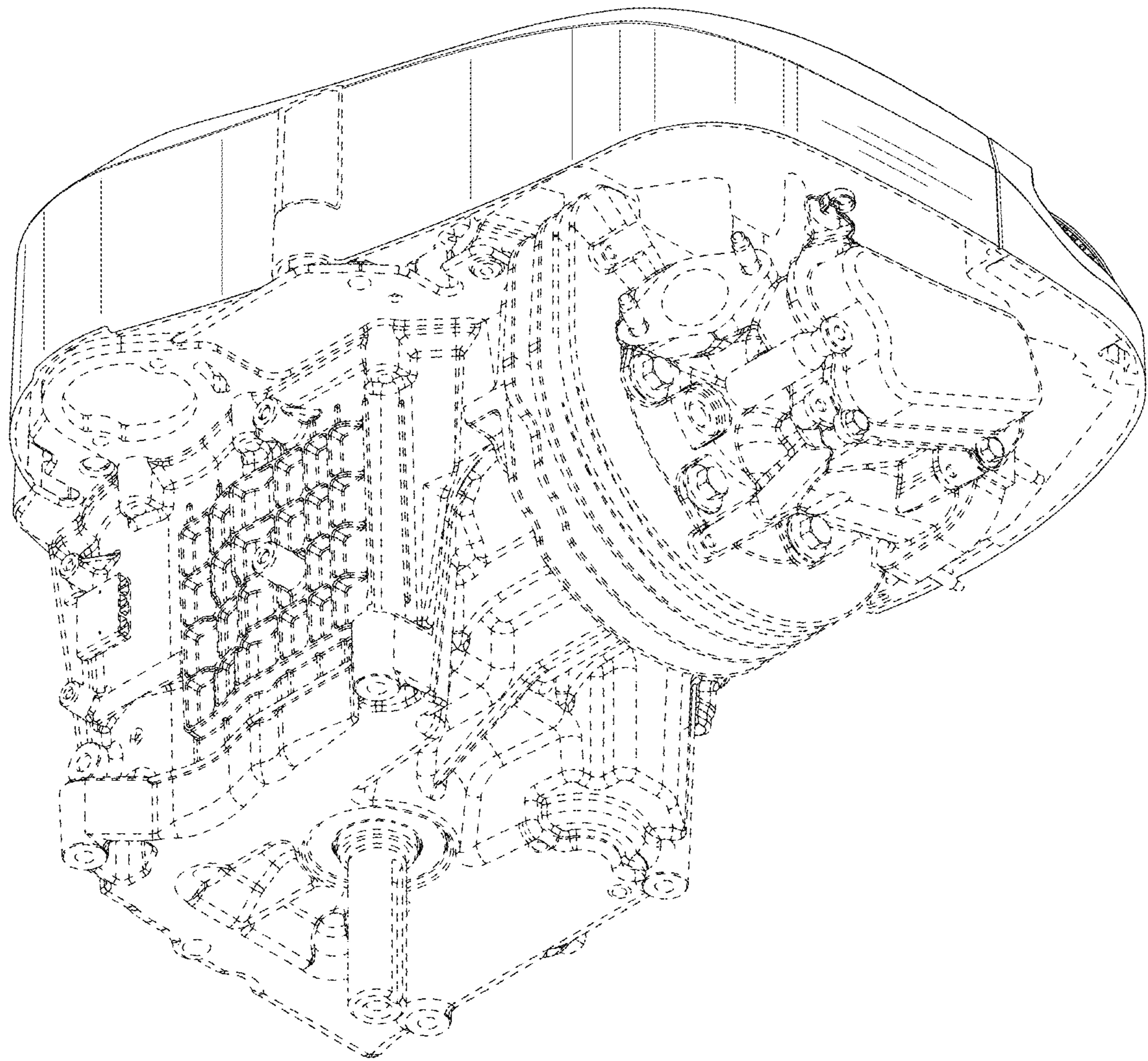


FIG. 6

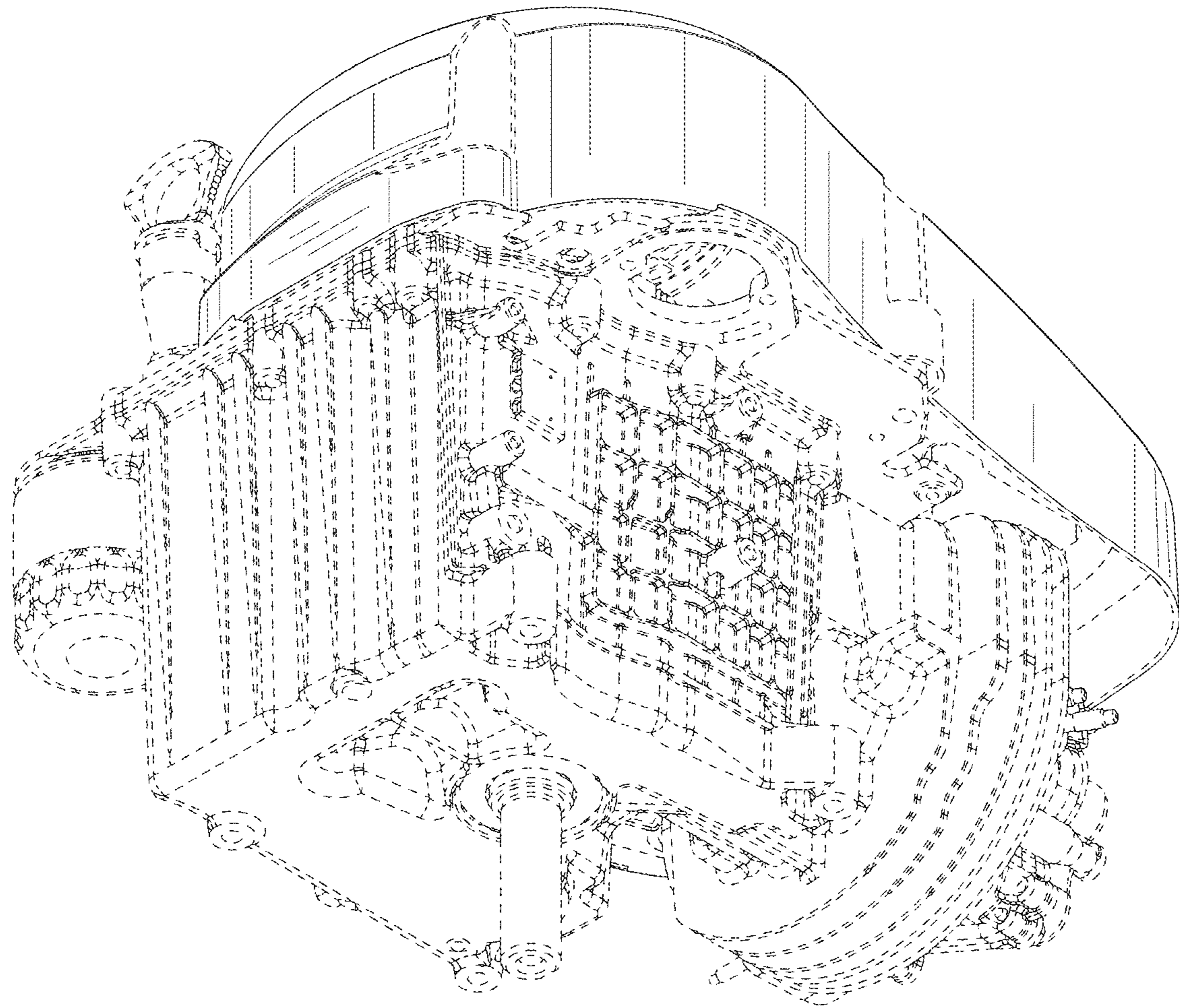


FIG. 7

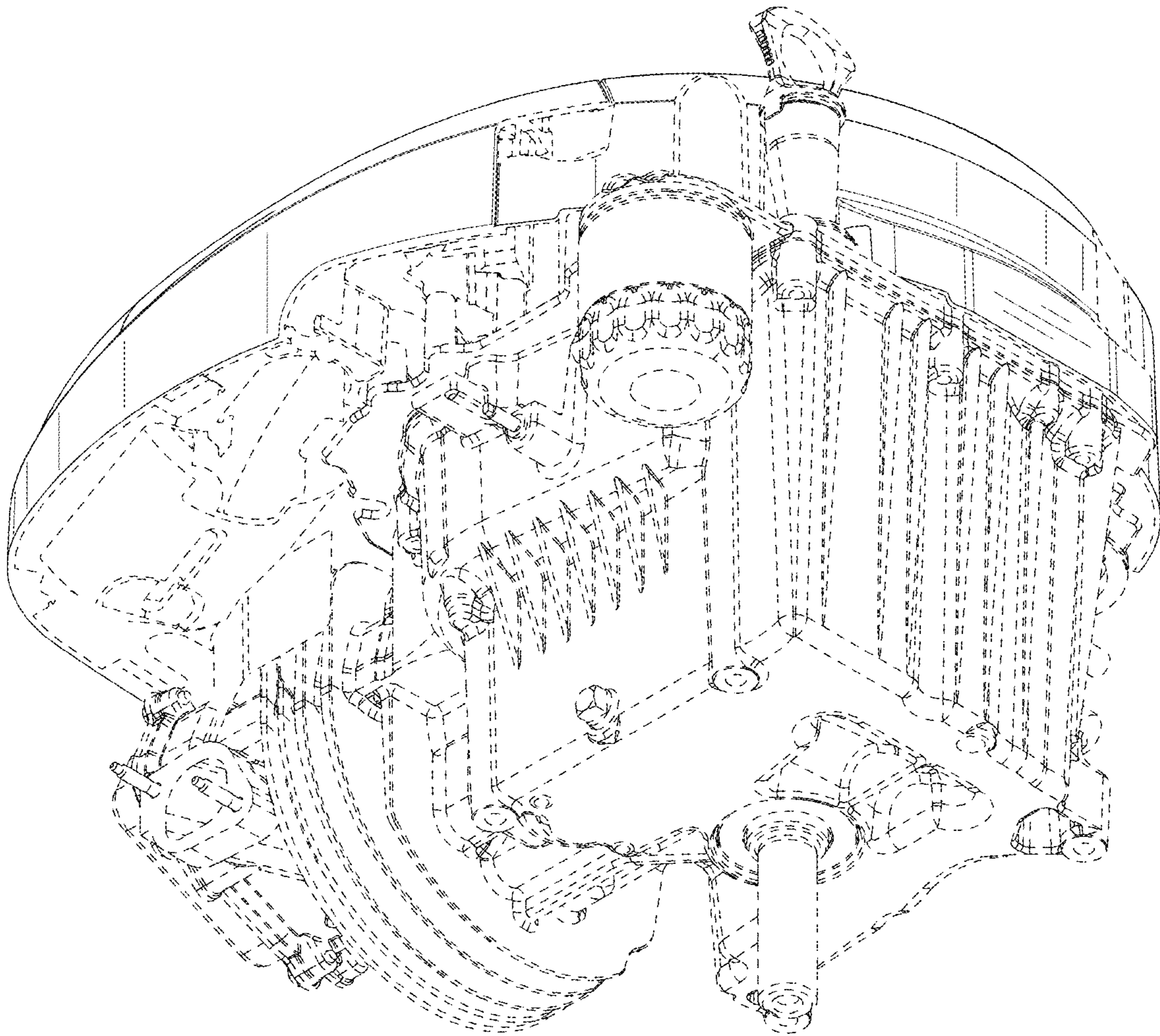


FIG. 8

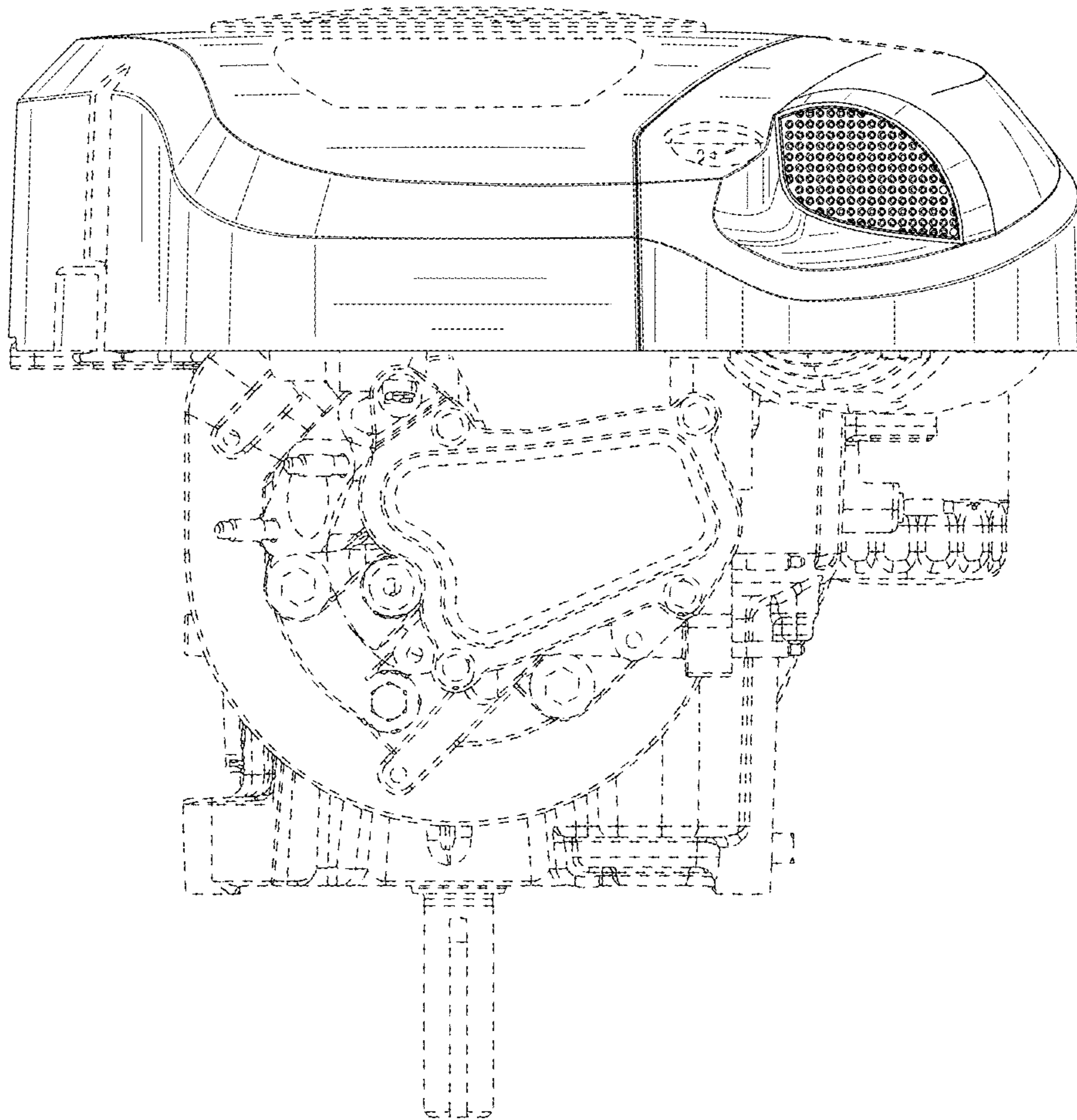


FIG. 9

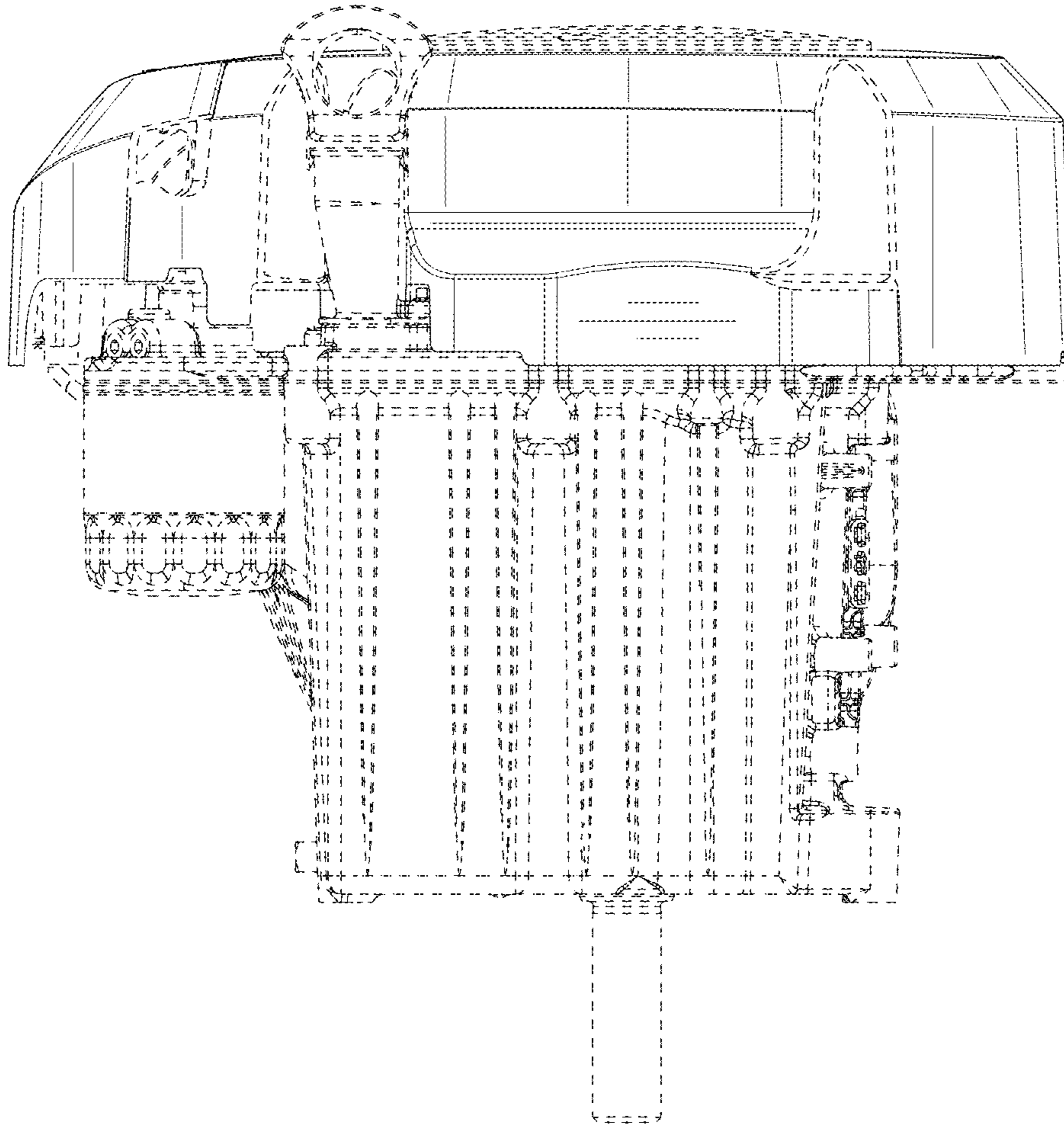


FIG. 10

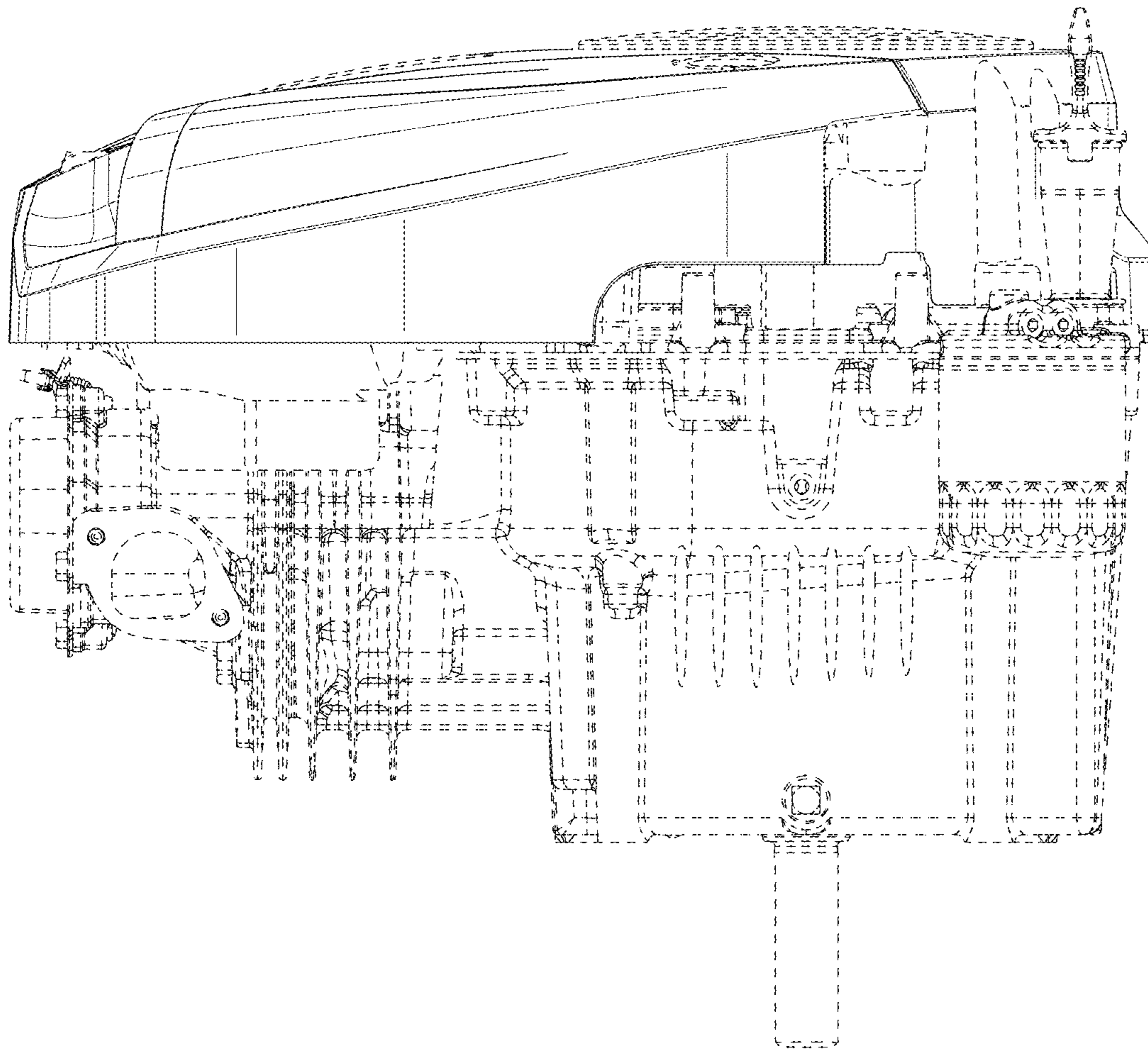


FIG. 11

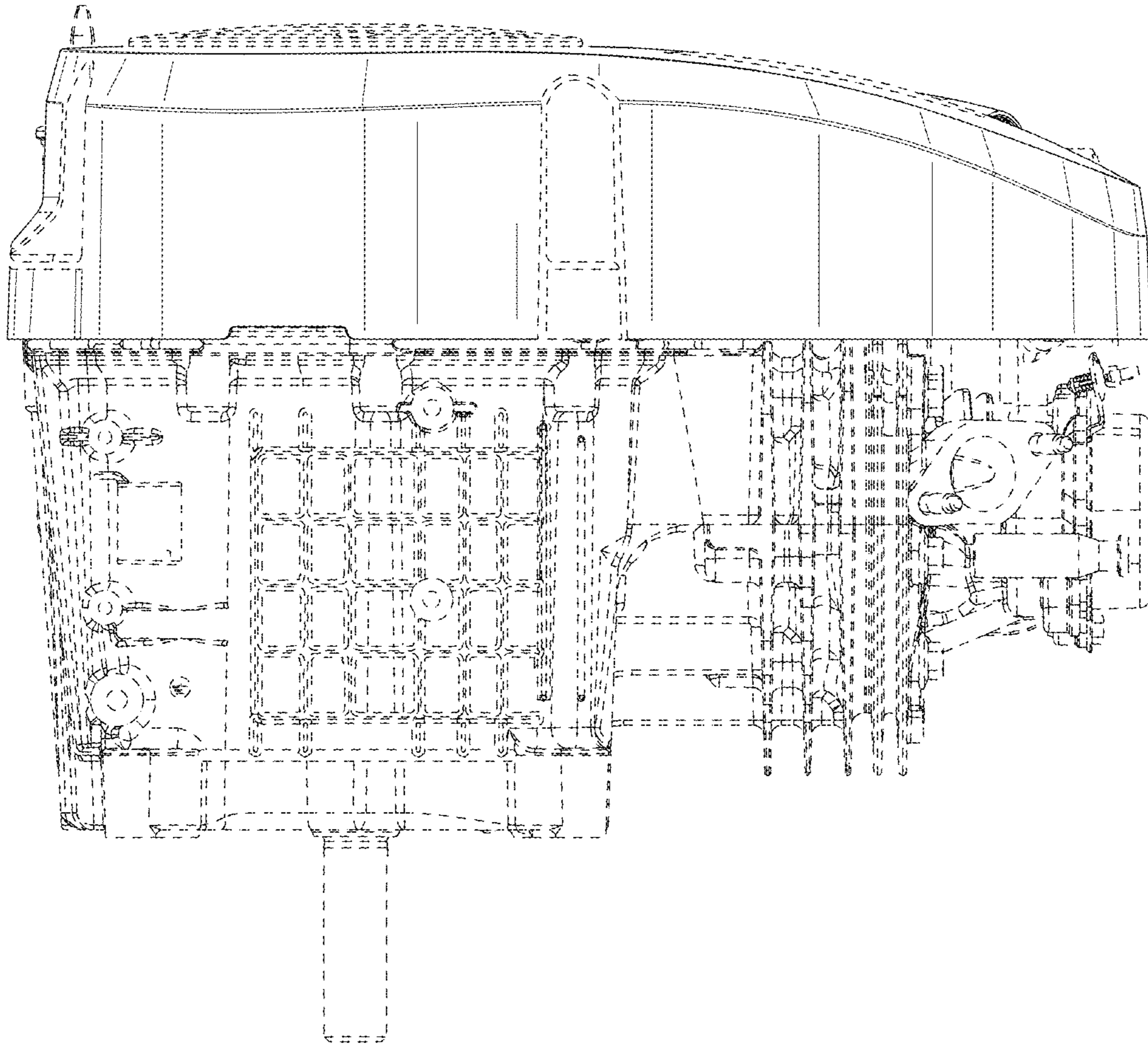


FIG. 12

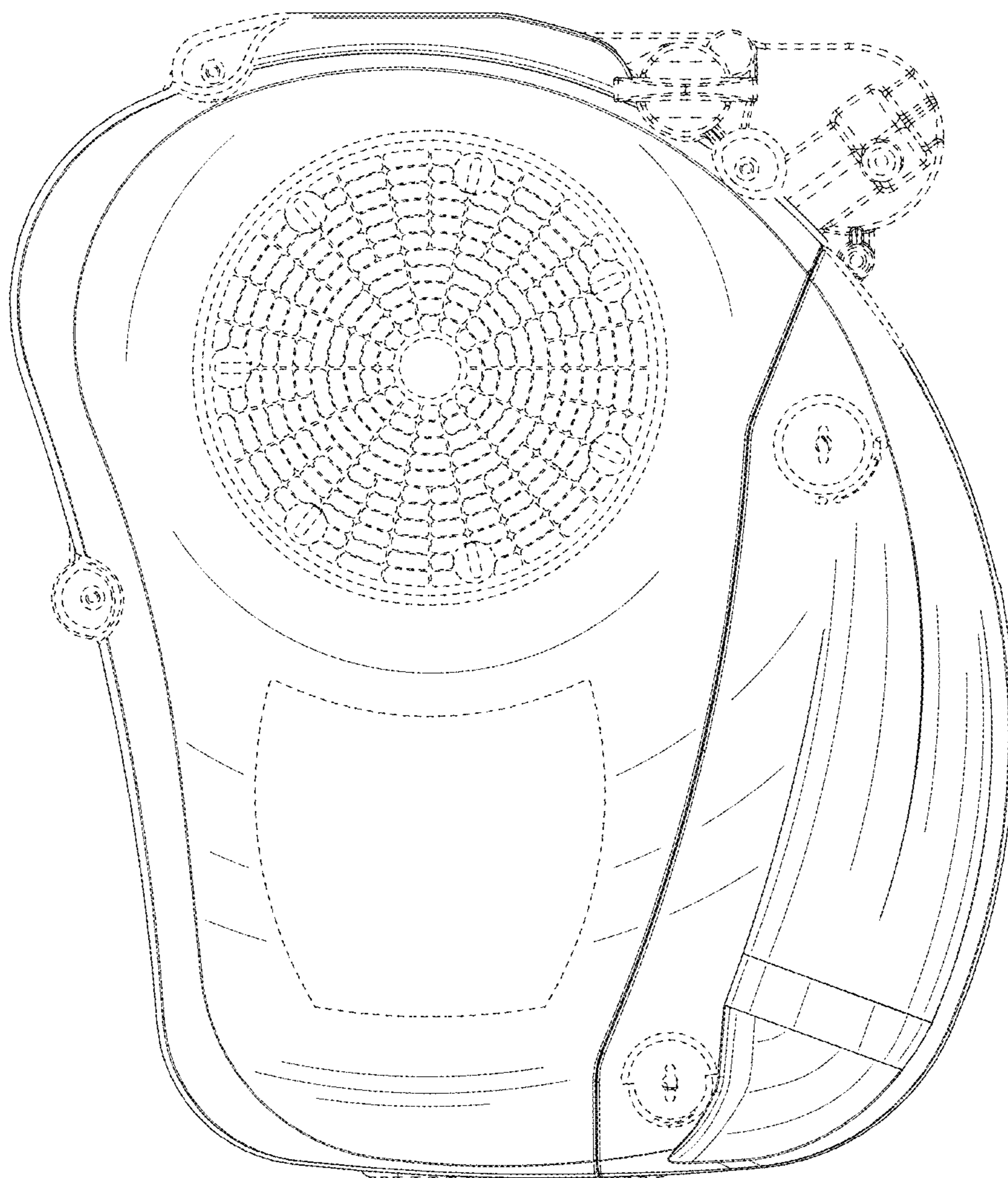


FIG. 13

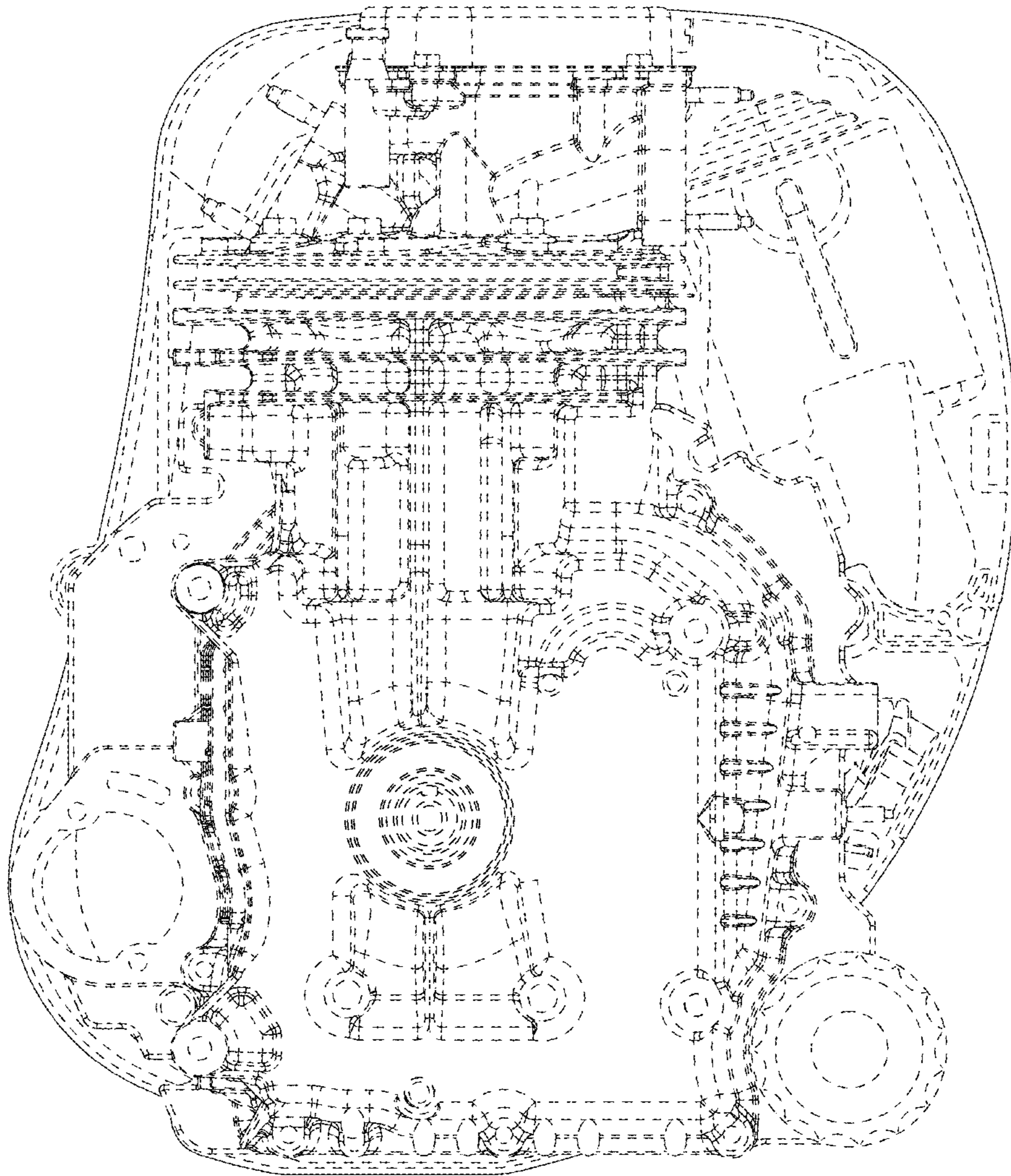


FIG. 14