



US00D922439S

(12) **United States Design Patent**  
**Niakan et al.**

(10) **Patent No.:** **US D922,439 S**  
(45) **Date of Patent:** **\*\* Jun. 15, 2021**

(54) **AIR INTAKE SYSTEM WITH A RIBBED AIRBOX**

(71) Applicant: **Advanced Flow Engineering, Inc.**,  
Corona, CA (US)

(72) Inventors: **Shahriar Nick Niakan**, Corona, CA  
(US); **George R. Chiang**, Corona, CA  
(US)

(73) Assignee: **Advanced Flow Engineering, Inc.**,  
Corona, CA (US)

(\*\*) Term: **15 Years**

(21) Appl. No.: **29/736,664**

(22) Filed: **Jun. 2, 2020**

**Related U.S. Application Data**

(63) Continuation of application No. 29/656,478, filed on  
Jul. 12, 2018, now Pat. No. Des. 886,868.

(51) **LOC (13) Cl.** ..... **15-01**

(52) **U.S. Cl.**  
USPC ..... **D15/5**

(58) **Field of Classification Search**  
USPC ..... D15/1-6  
See application file for complete search history.

(56) **References Cited**

**U.S. PATENT DOCUMENTS**

D749,134 S *	2/2016	Niakan	.....	D15/5
D754,208 S *	4/2016	Niakan	.....	D15/5
D762,247 S *	7/2016	Niakan	.....	D15/5
D762,735 S *	8/2016	Niakan	.....	D15/5
D762,736 S *	8/2016	Niakan	.....	D15/5
D886,867 S *	6/2020	Niakan	.....	D15/5
D886,868 S *	6/2020	Niakan	.....	D15/5

2005/0150483 A1 *	7/2005	Sorensen	.....	F02B 37/00 123/559.1
2006/0196462 A1 *	9/2006	Quezada	.....	F02M 35/10144 123/184.21
2011/0067574 A1 *	3/2011	Walz	.....	F02M 35/10137 96/422
2012/0152632 A1 *	6/2012	Azuma	.....	F02M 35/04 180/68.3
2013/0104832 A1 *	5/2013	Chang	.....	F02M 35/10013 123/184.21
2014/0116015 A1 *	5/2014	Niakan	.....	B01D 46/0002 55/495
2018/0216584 A1 *	8/2018	Overgaard	.....	F02M 35/10242

\* cited by examiner

*Primary Examiner* — Ania Aman

(74) *Attorney, Agent, or Firm* — Crockett & Crockett,  
PC; K. David Crockett, Esq.; Niky Economy Syrengelas,  
Esq.

(57) **CLAIM**

The ornamental design for an air intake system with a ribbed airbox, as shown and described.

**DESCRIPTION**

FIG. 1 is a left-front perspective view of an air intake system with a ribbed airbox showing our new design.

FIG. 2 is a front elevation view thereof.

FIG. 3 is a left side elevation view thereof.

FIG. 4 is a cross-section view of the air intake system of FIG. 3 taken along 4-4.

FIG. 5 is a right side elevation view thereof.

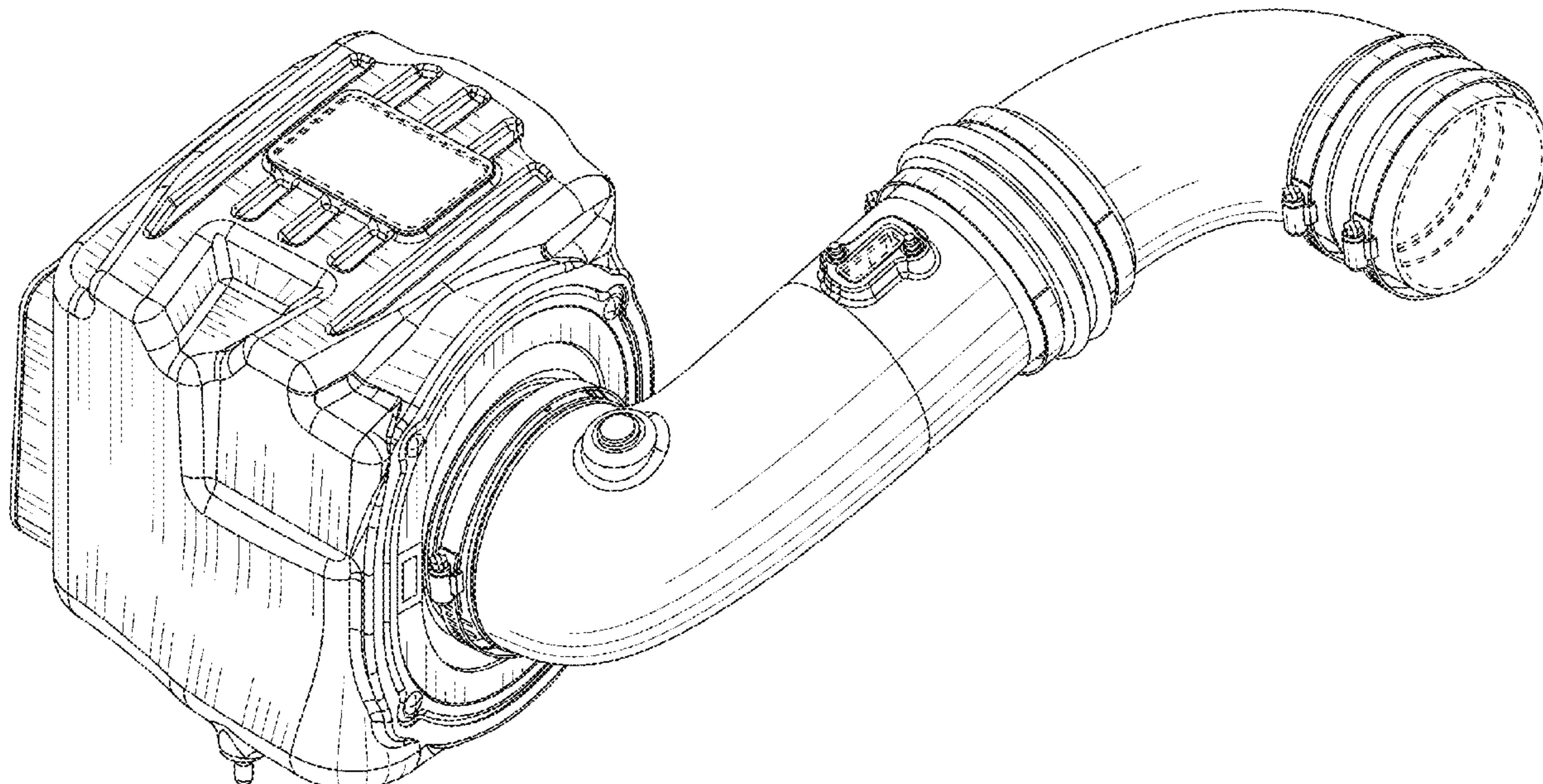
FIG. 6 is a rear elevation view thereof.

FIG. 7 is a top plan view thereof; and,

FIG. 8 is a bottom plan view thereof.

The broken lines are included for the purpose of illustrating portions of the air intake system with a ribbed airbox and form no part of the claimed design.

**1 Claim, 8 Drawing Sheets**



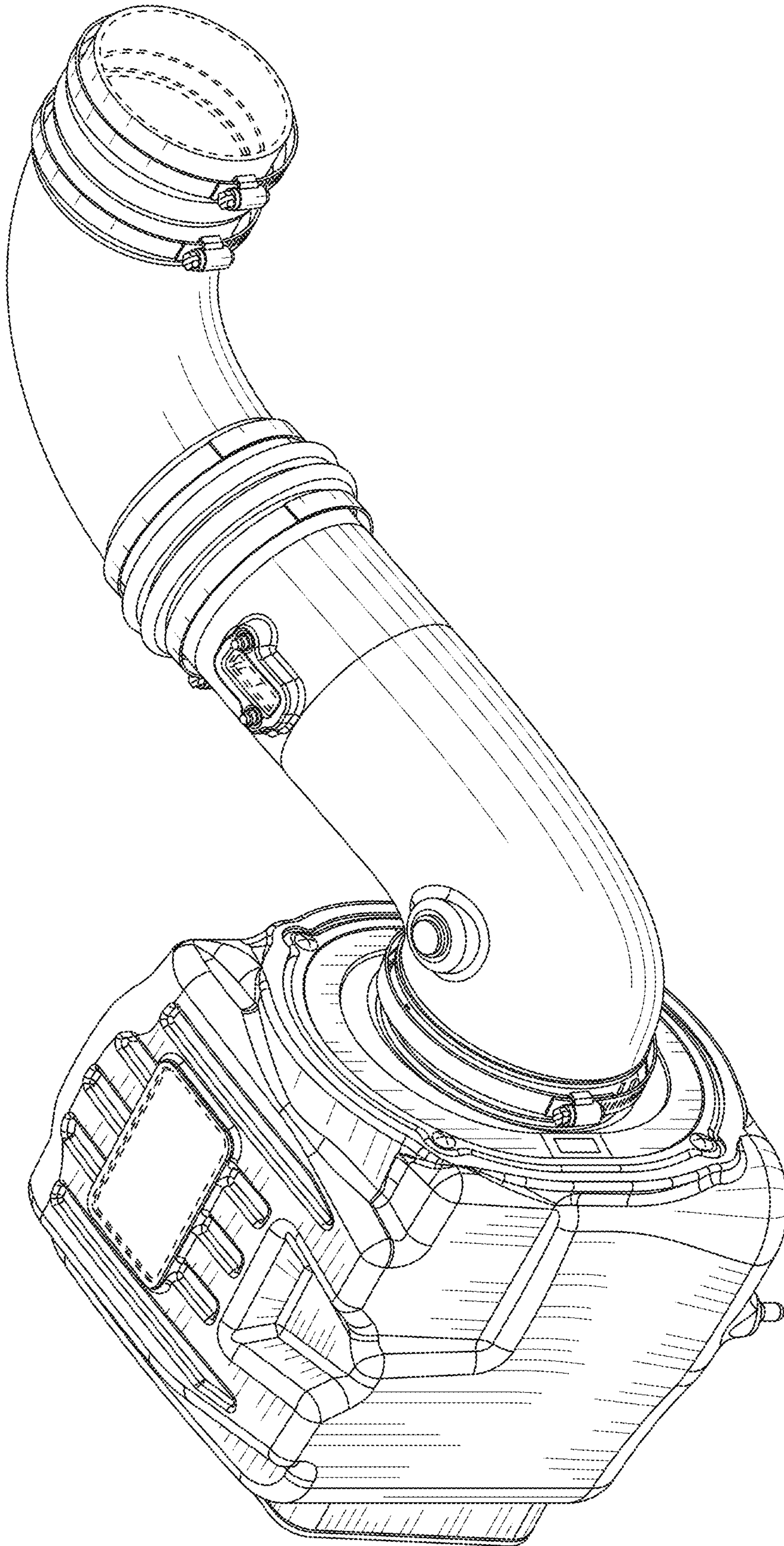


Fig. 1



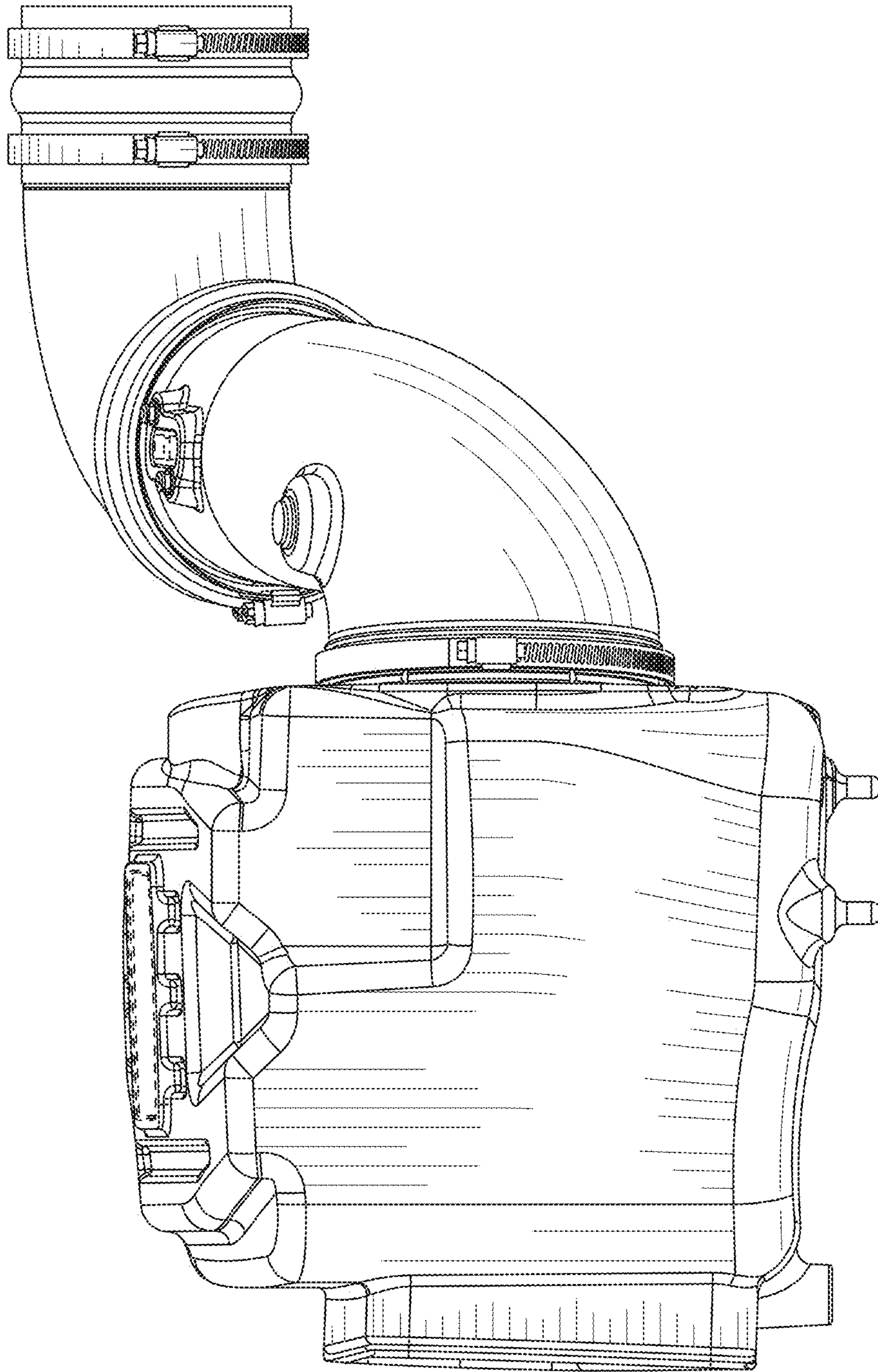


Fig. 2

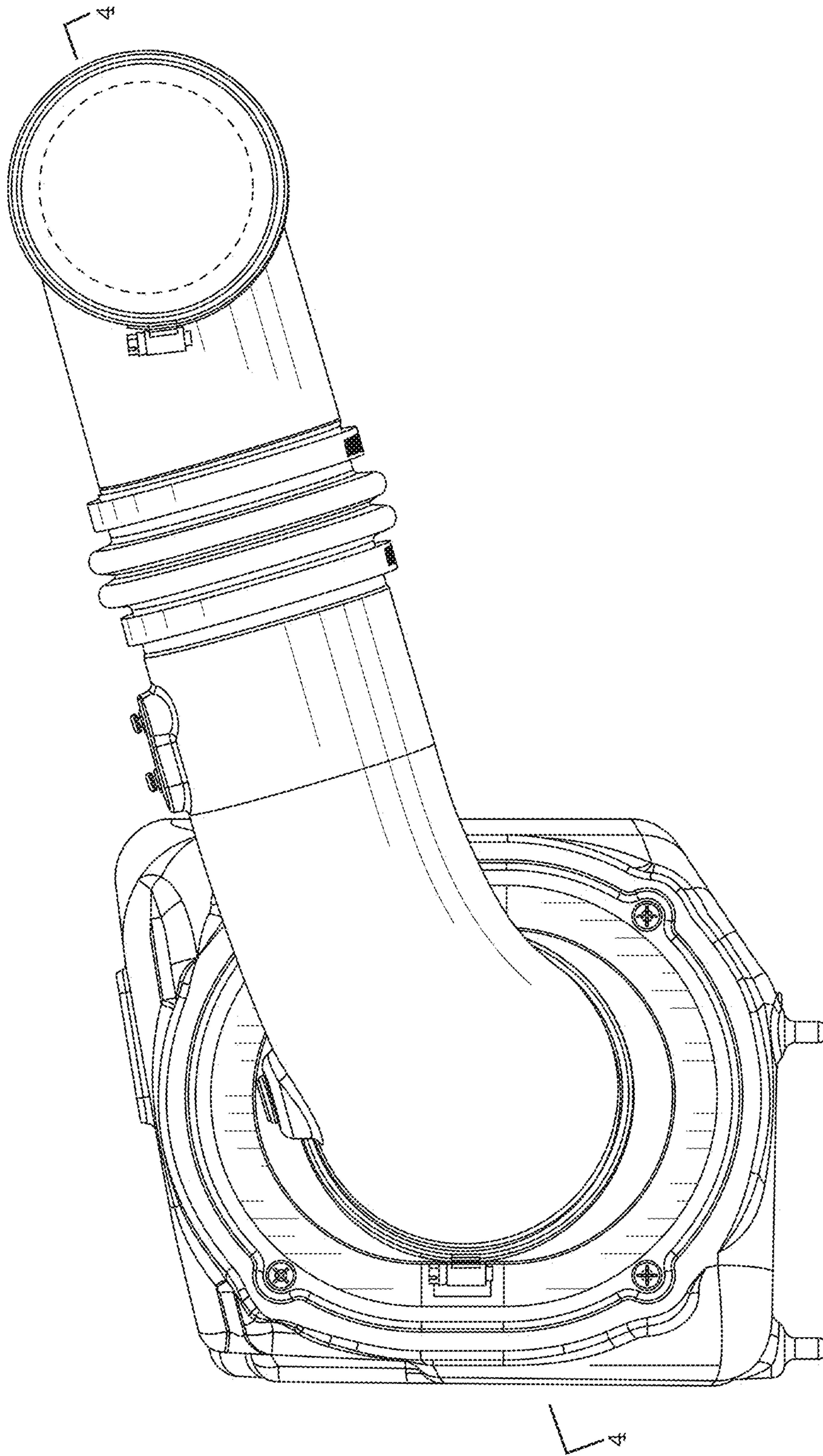


Fig. 3

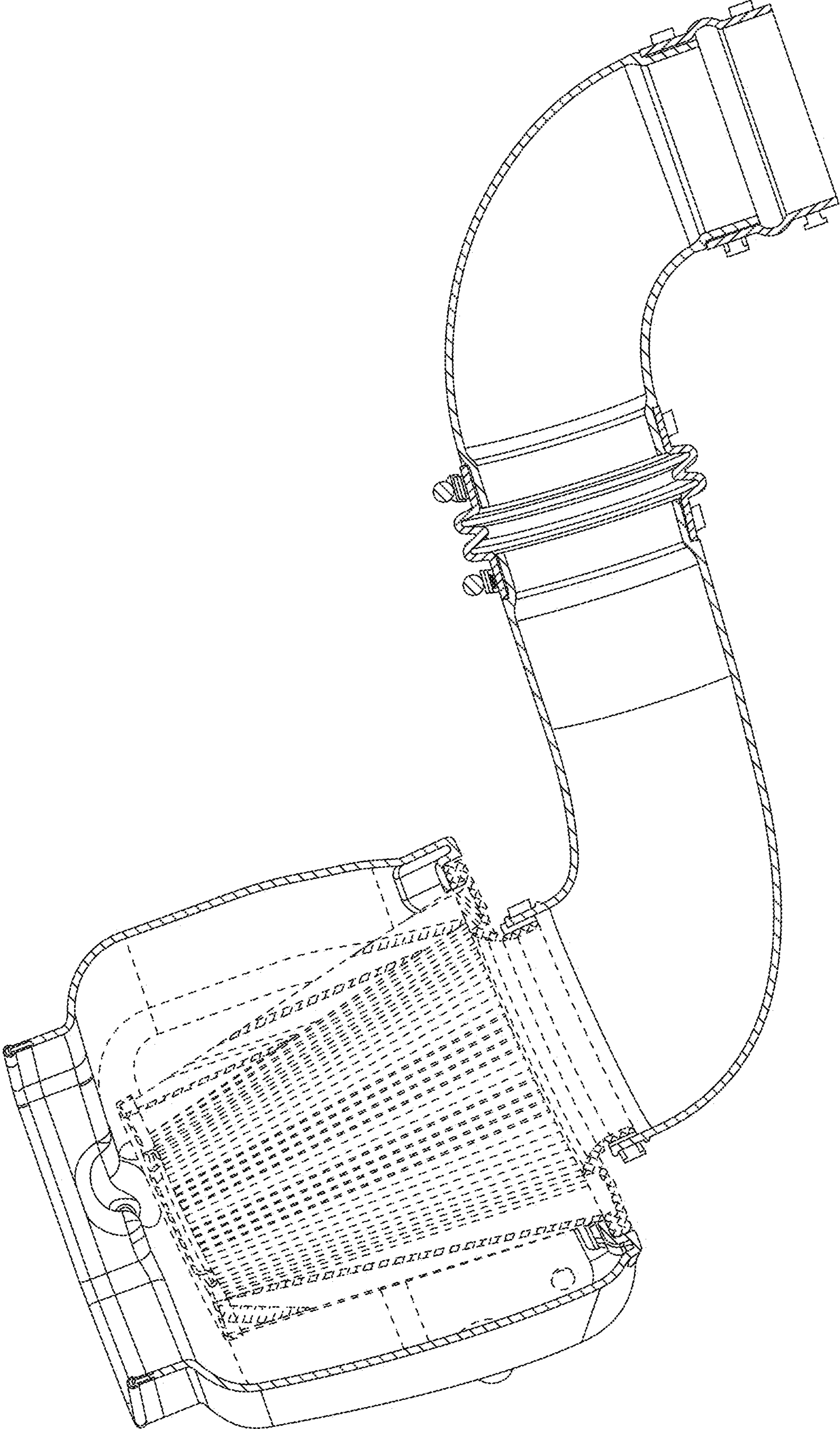


Fig. 4



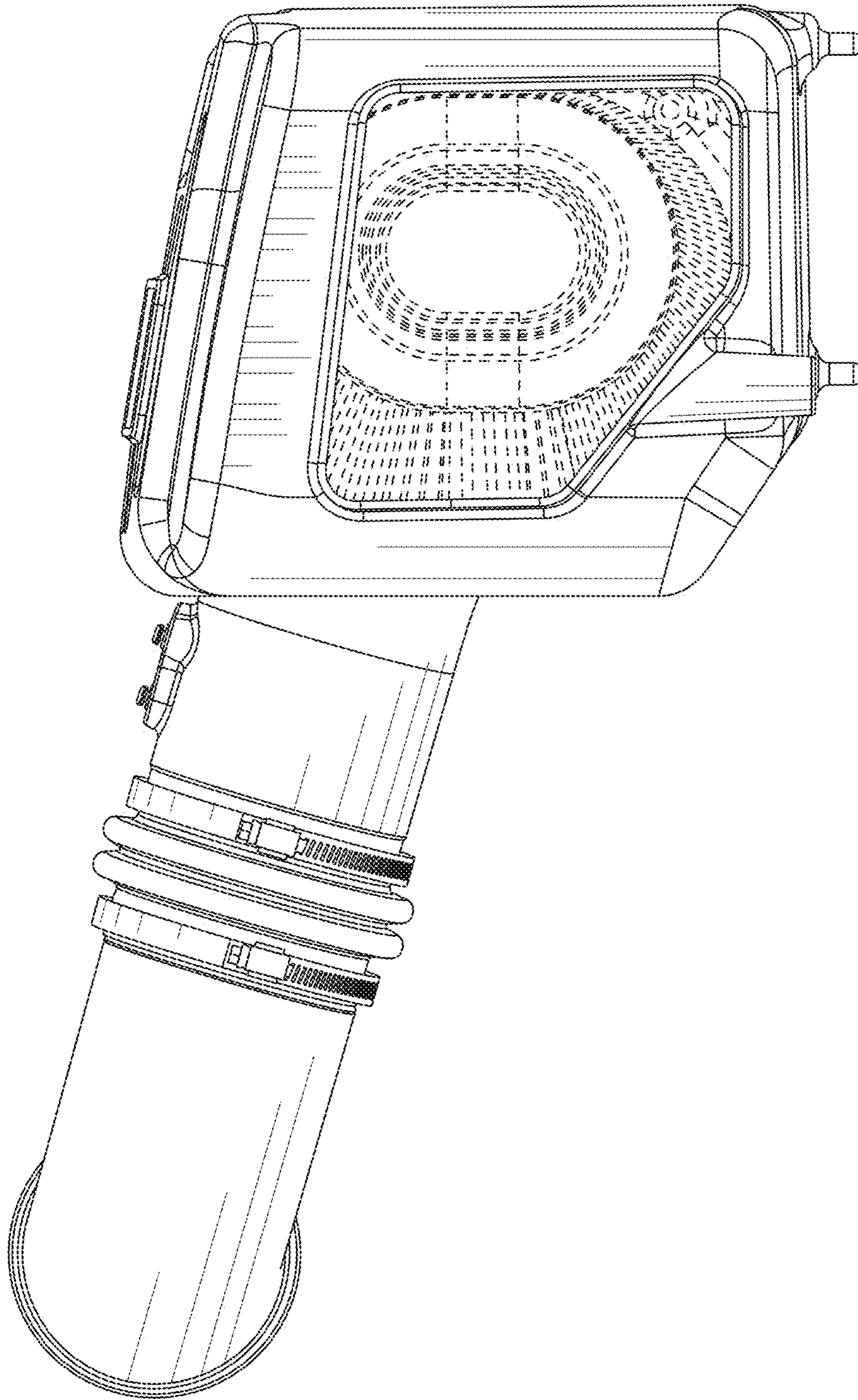


Fig. 5

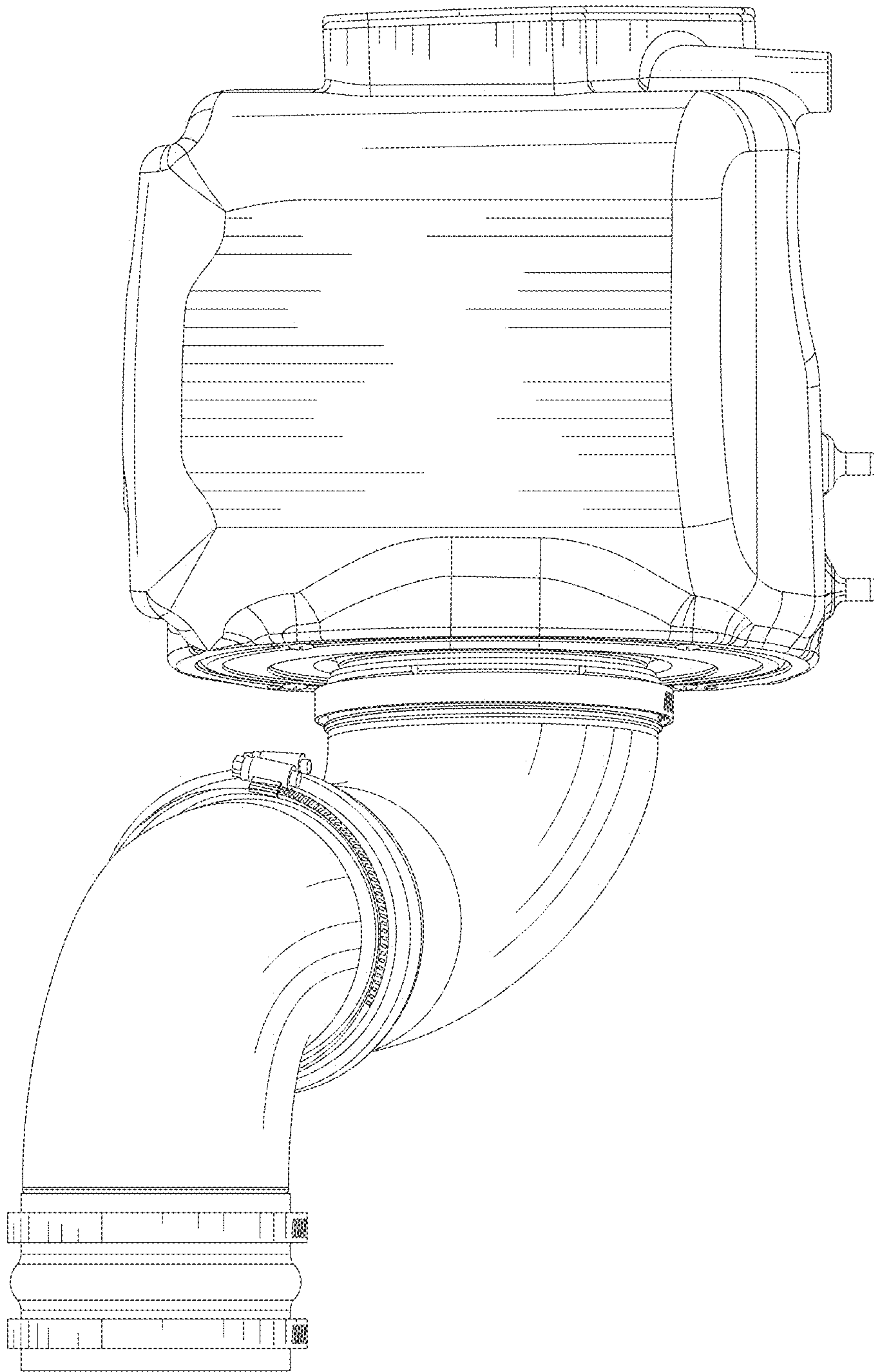


Fig. 6

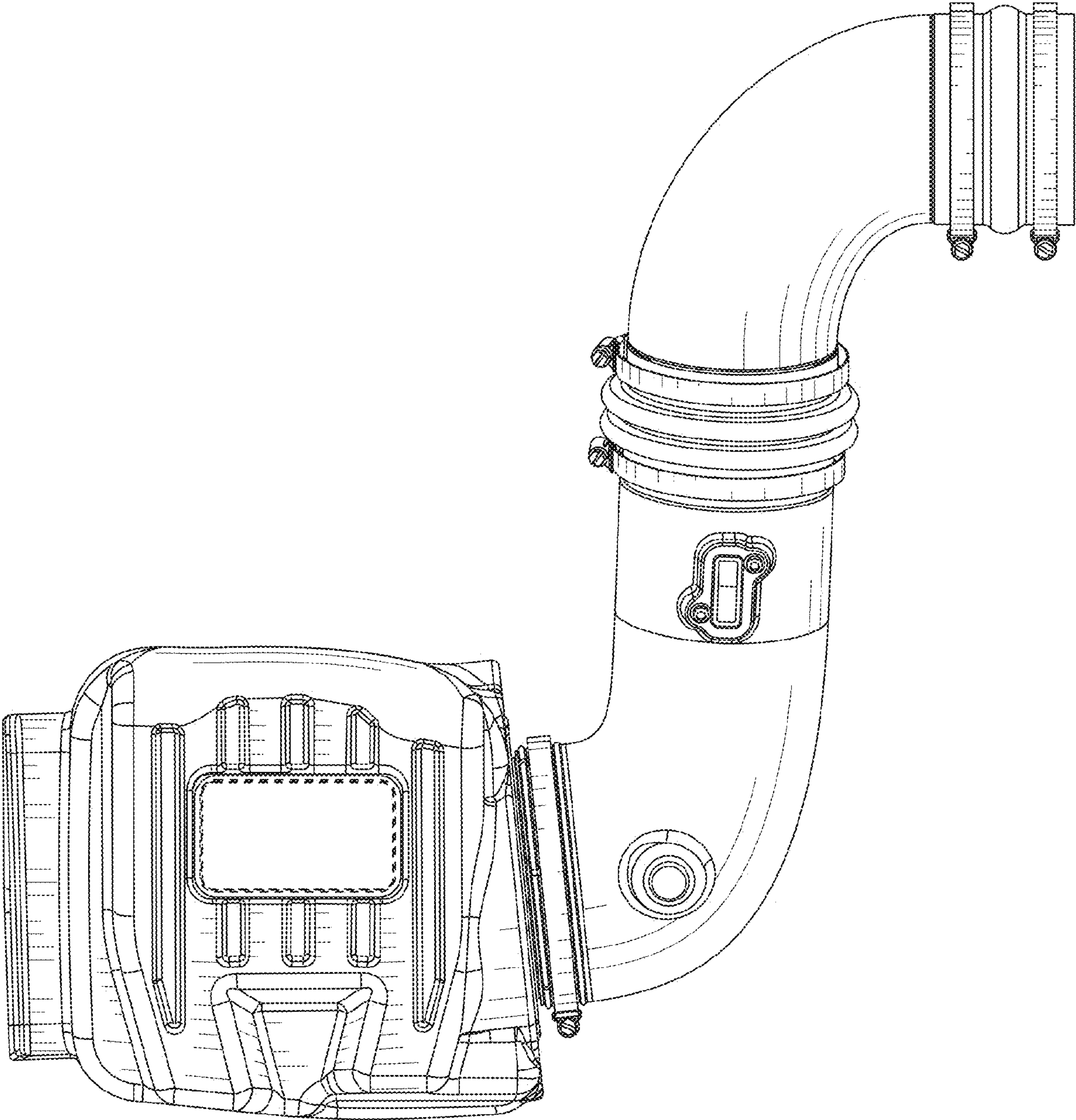


Fig. 7



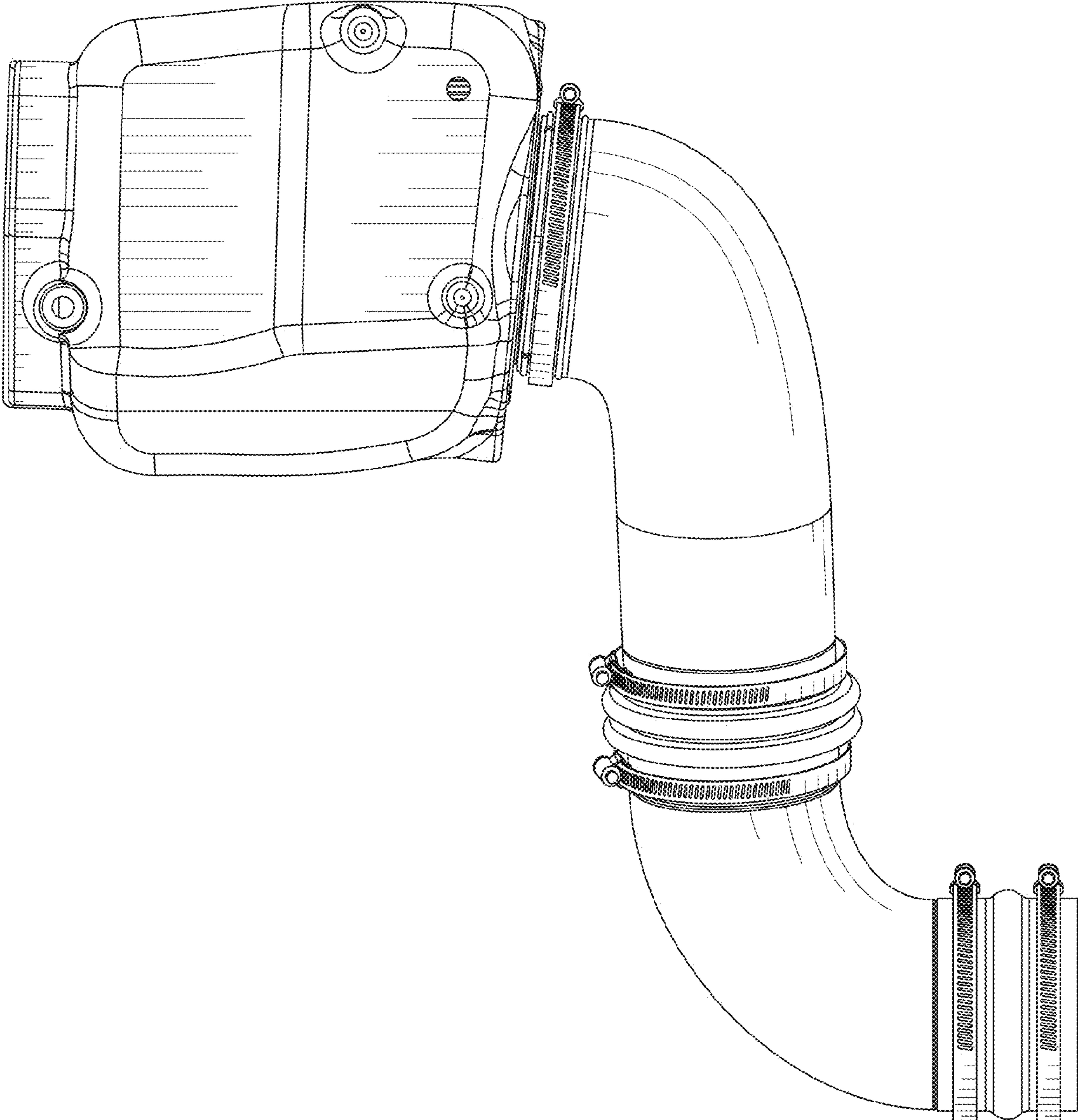


Fig. 8