



US00D922438S

(12) **United States Design Patent**  
**Cannon**

(10) **Patent No.:** **US D922,438 S**

(45) **Date of Patent:** **\*\* Jun. 15, 2021**

(54) **TURBINE HOUSING**

(71) Applicant: **ATS Diesel Performance, Inc.**, Arvada,  
CO (US)

(72) Inventor: **Clint Cannon**, Denver, CO (US)

(\*\*) Term: **15 Years**

(21) Appl. No.: **29/725,315**

(22) Filed: **Feb. 24, 2020**

(51) **LOC (13) Cl.** ..... **15-01**

(52) **U.S. Cl.**

USPC ..... **D15/5; D13/113**

(58) **Field of Classification Search**

USPC ..... D13/101, 112, 113, 114, 118, 122, 184,  
D13/199; D15/1, 5, 9, 199; D23/233  
CPC . F01D 5/06; F01D 9/041; F01D 9/045; F01D  
17/165; F02B 33/40; F02B 37/00; F05D  
2240/60; F05D 2240/128; F05D  
2260/4031; F05D 2220/40; C22C 38/02;  
C22C 38/04; C22C 38/44; F02D 23/00

See application file for complete search history.

(56) **References Cited**

**U.S. PATENT DOCUMENTS**

D368,269 S \* 3/1996 Chapman ..... D15/5  
D413,122 S \* 8/1999 Chapman ..... D15/5

D701,299 S \* 3/2014 Oba ..... D23/370  
D734,364 S \* 7/2015 Blythe ..... F17D 1/04

D802,531 S \* 11/2017 Liao ..... D13/122  
2009/0123272 A1 \* 5/2009 Love ..... F02D 23/00  
415/148  
2017/0234153 A1 \* 8/2017 Williams ..... F01D 25/162  
415/148

\* cited by examiner

*Primary Examiner* — Derrick E Holland

(74) *Attorney, Agent, or Firm* — Will Hunziker

(57) **CLAIM**

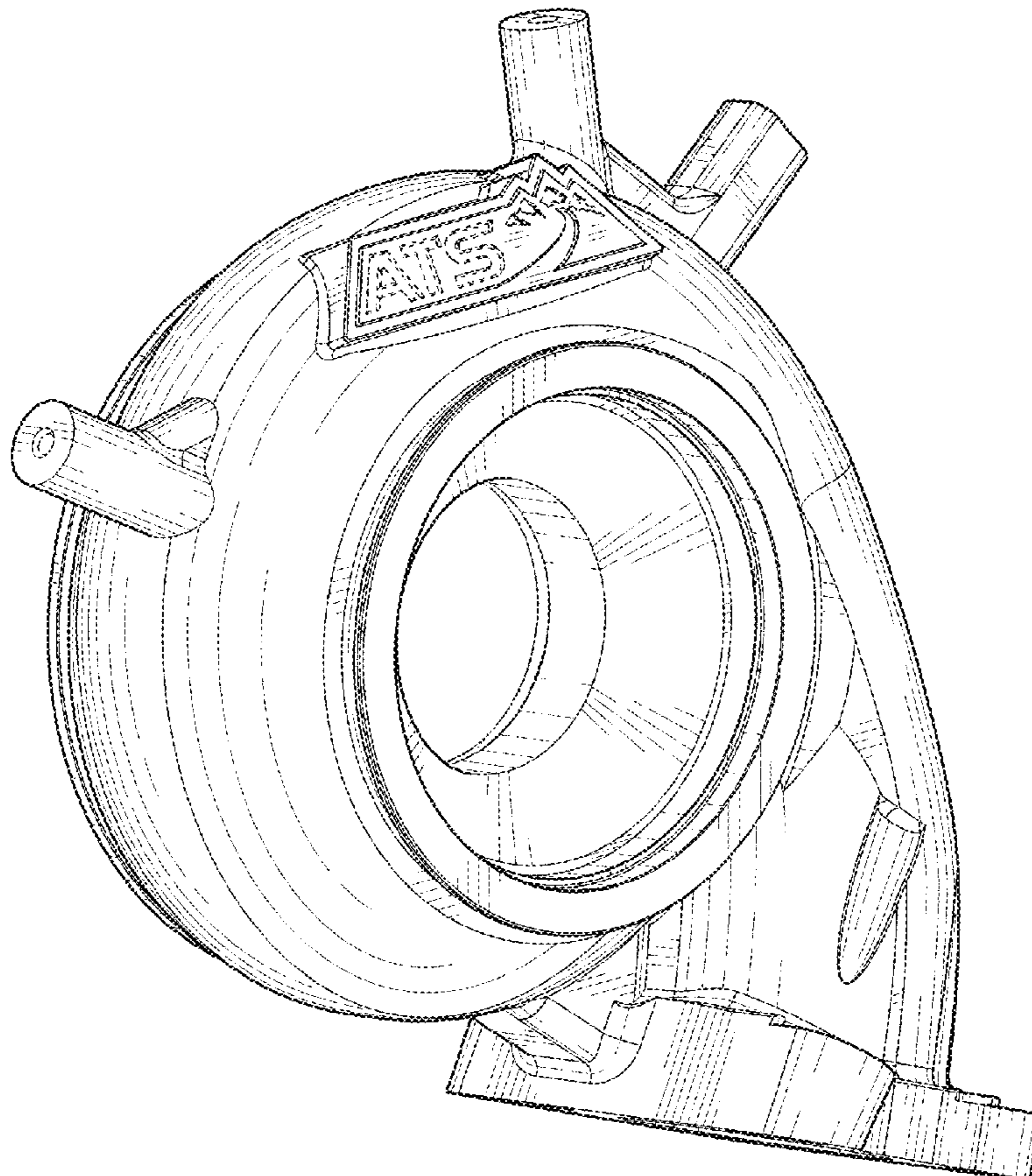
The ornamental design for a turbine housing, as shown and described.

**DESCRIPTION**

FIG. 1 illustrates a perspective view of a turbine housing.  
FIG. 2 illustrates a left side view of the turbine housing  
FIG. 3 illustrates a right-side view of the turbine housing.  
FIG. 4 illustrates a top view of the turbine housing.  
FIG. 5 illustrates a bottom view of the turbine housing.  
FIG. 6 illustrates a front view of the turbine housing.  
FIG. 7 illustrates a back view of the turbine housing; and,  
FIG. 8 illustrates a perspective view of the turbine housing  
shown in environmental use.

The broken lines shown represent environmental subject matter and form no part of the claimed design.

**1 Claim, 7 Drawing Sheets**



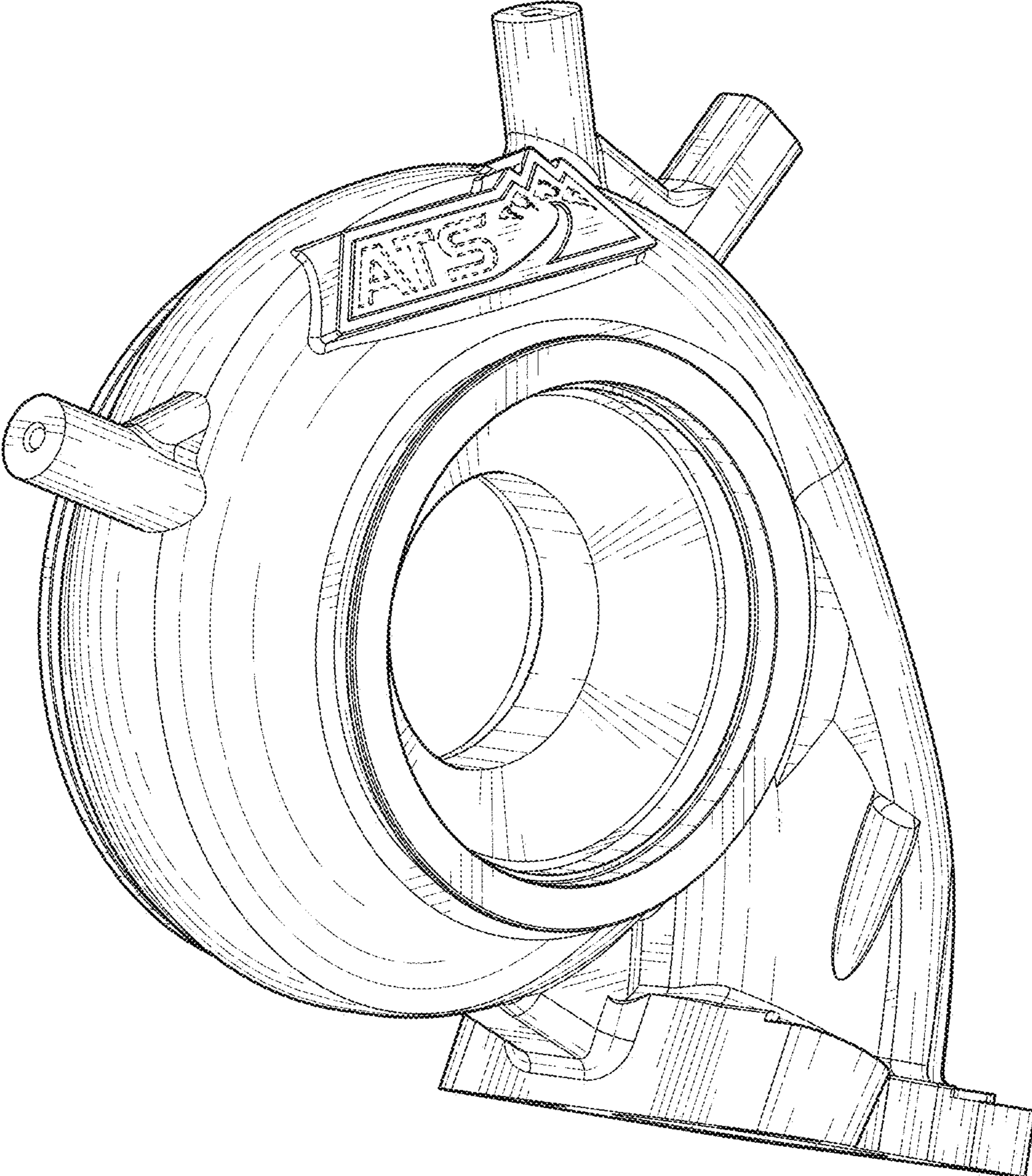


FIG. 1

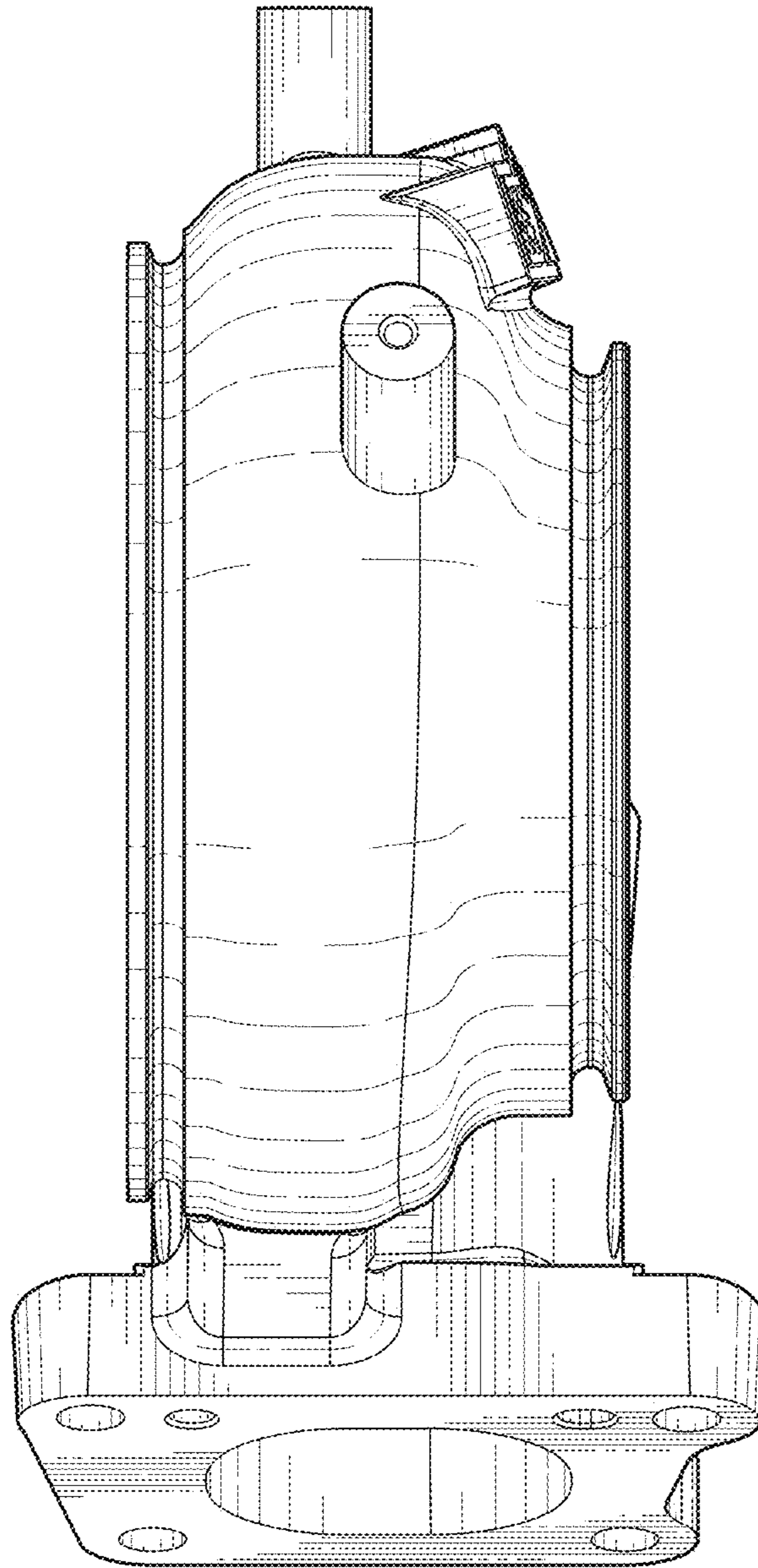


FIG. 2

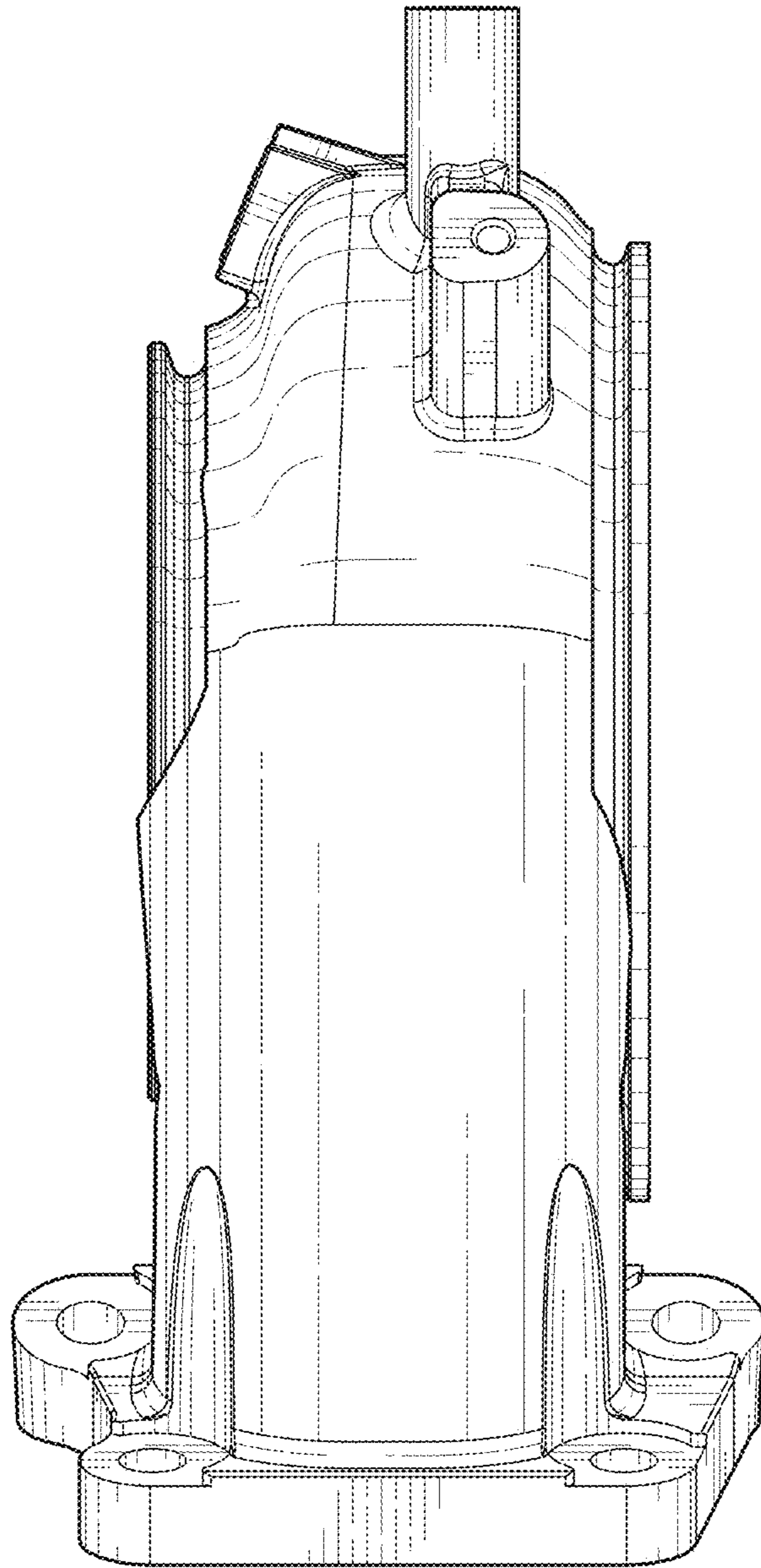


FIG. 3

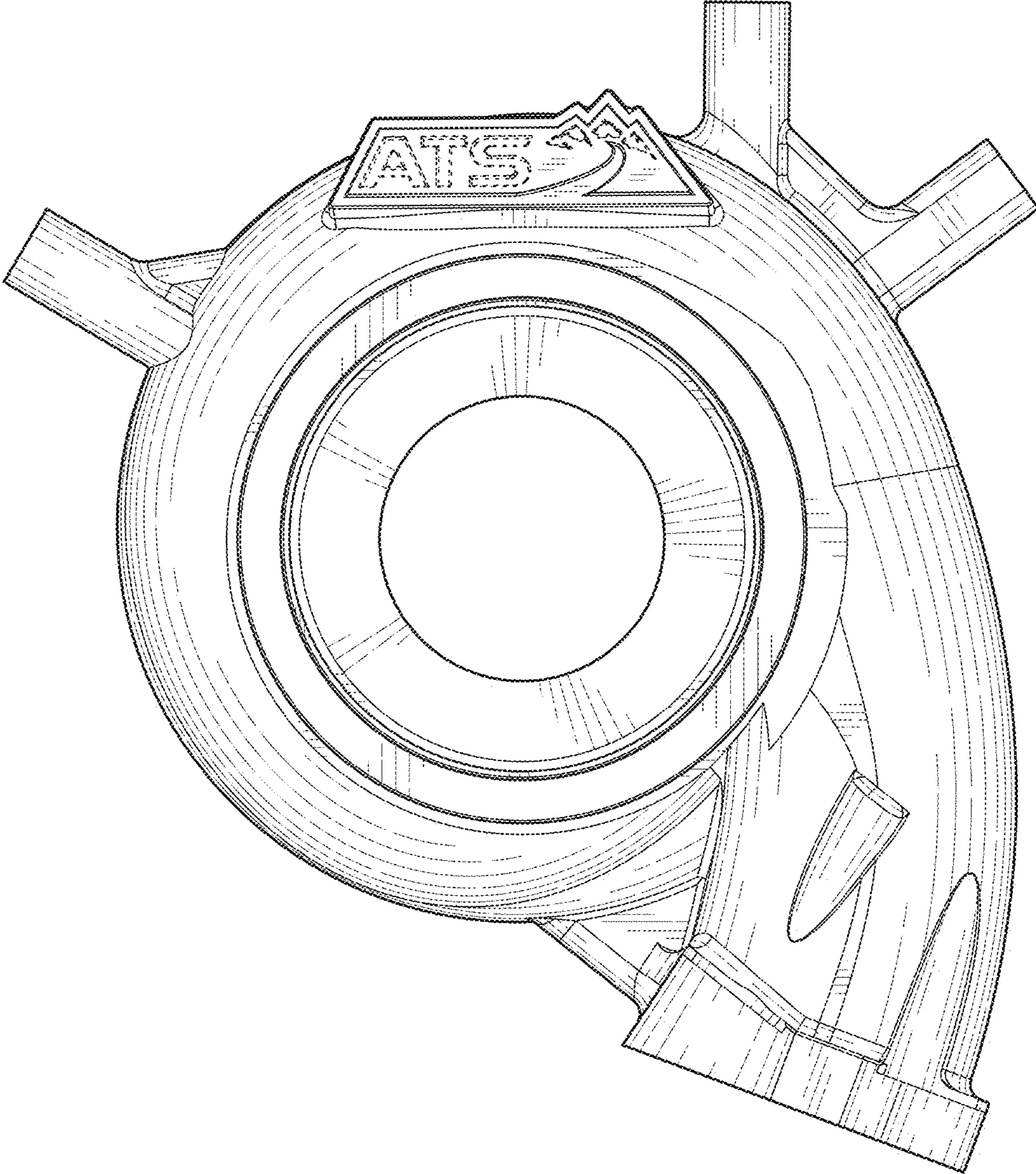


FIG. 4

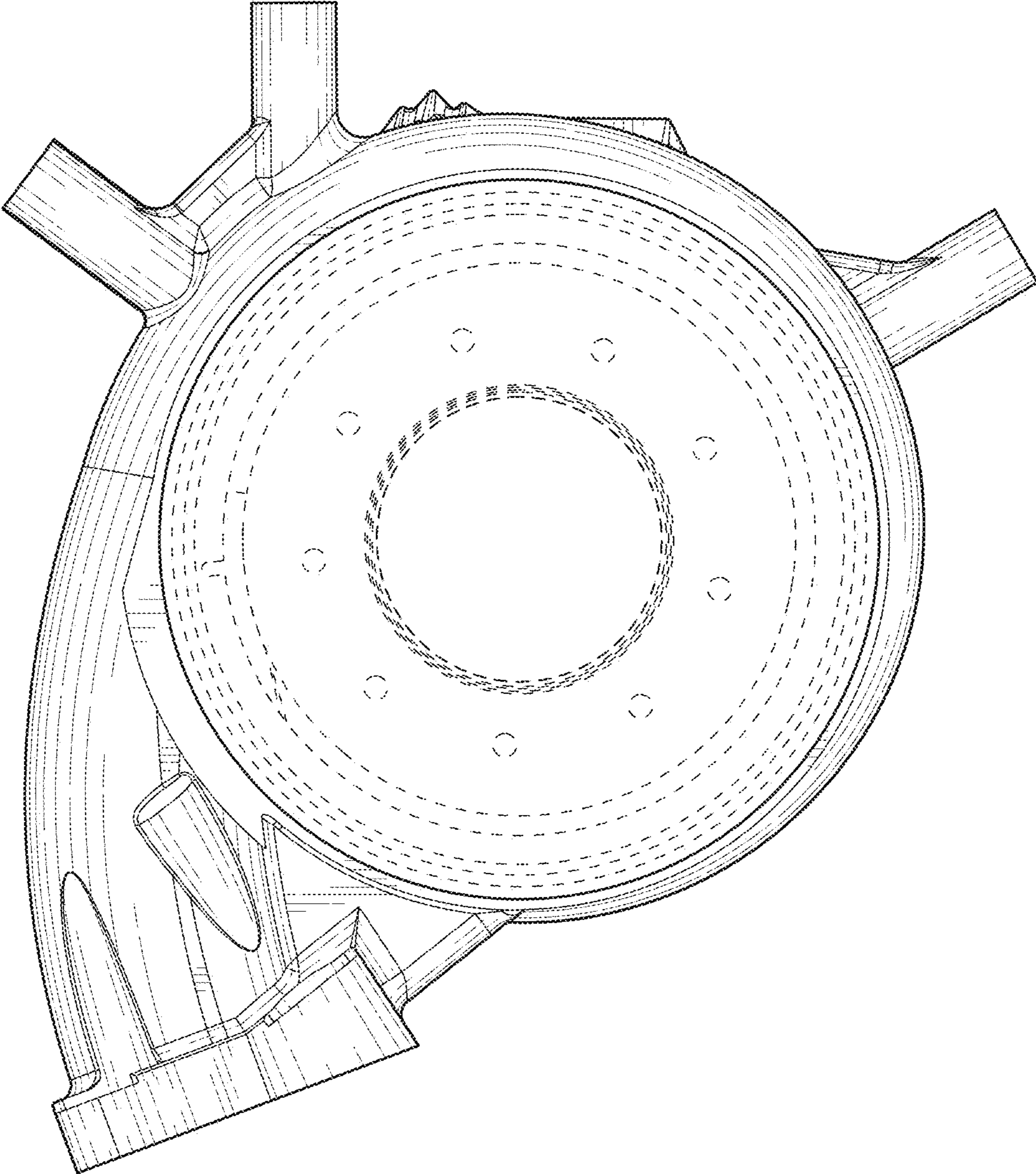


FIG. 5

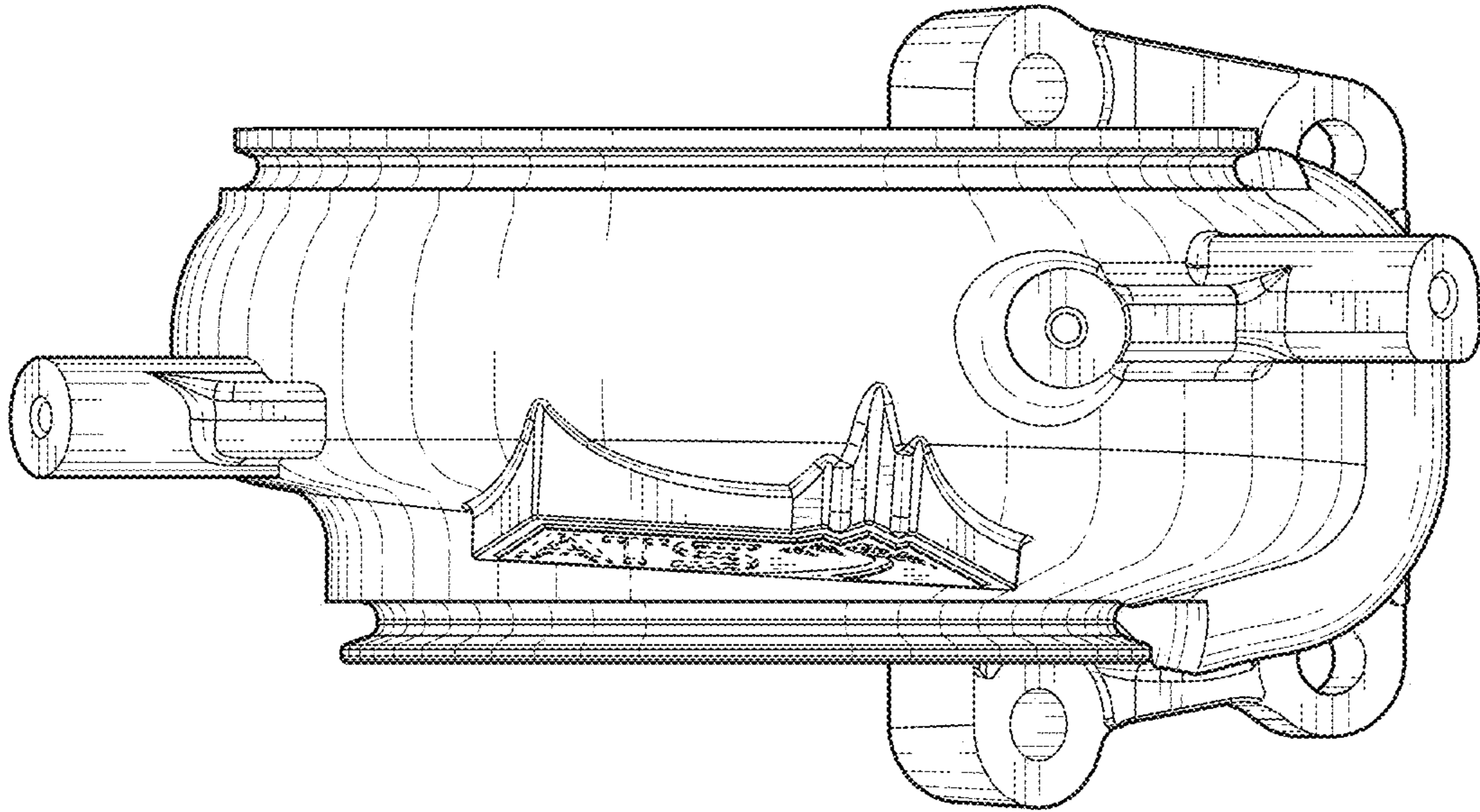


FIG. 6

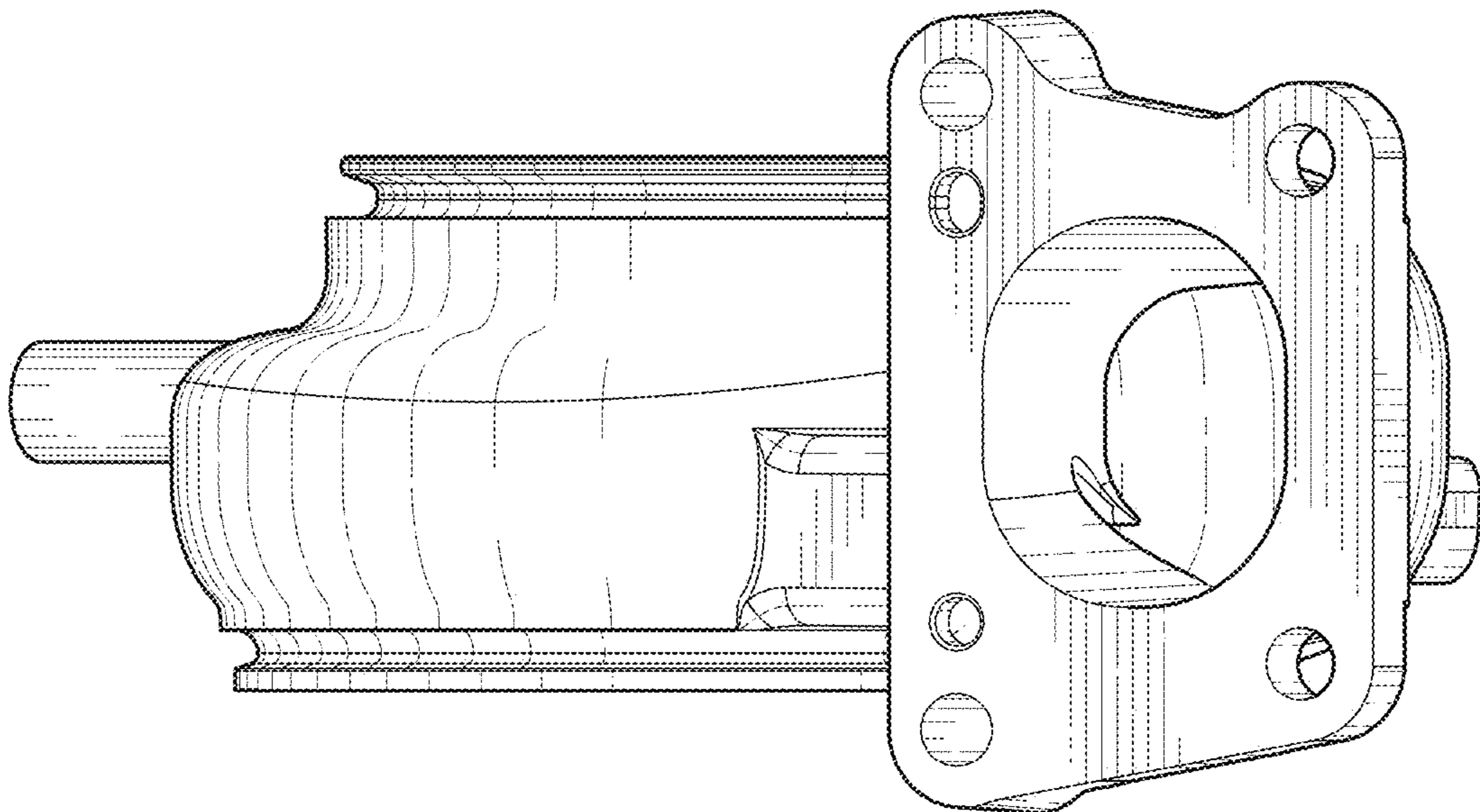


FIG. 7

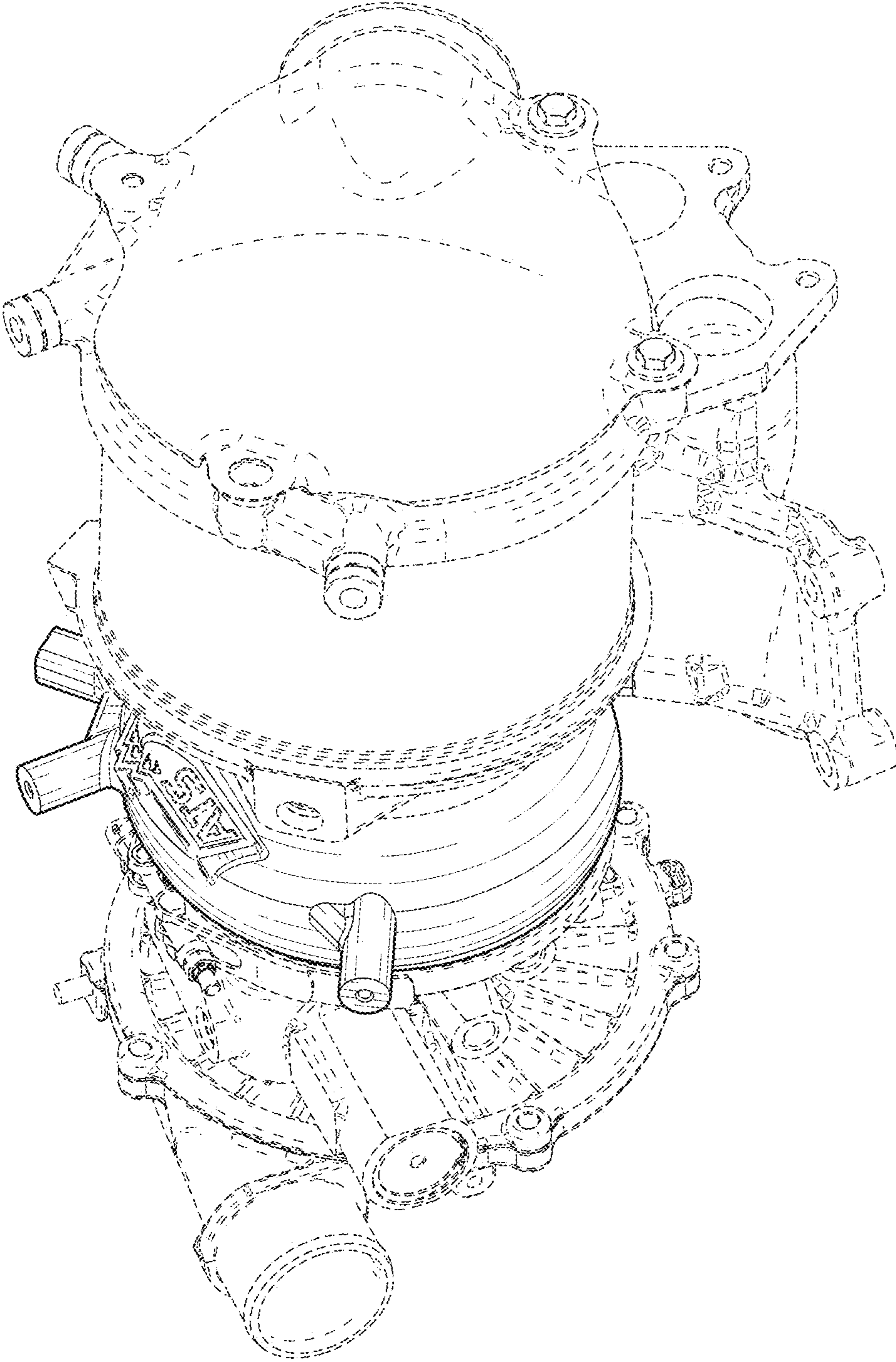


FIG. 8