



US00D922437S

(12) **United States Design Patent** (10) **Patent No.:** **US D922,437 S**
Sato (45) **Date of Patent:** **** Jun. 15, 2021**

(54) **OUTBOARD MOTOR** 6,488,552 B2 * 12/2002 Kitsu F02B 61/045
440/77
(71) Applicant: **TOHATSU CORPORATION**, Tokyo D531,639 S * 11/2006 Okamoto D15/4
(JP) D534,546 S * 1/2007 Miyaki D15/4
D536,704 S * 2/2007 Iekura D15/4
(72) Inventor: **Makoto Sato**, Tokyo (JP) D537,838 S * 3/2007 Iekura D15/4
D568,904 S * 5/2008 Osumi D15/4
D589,057 S * 3/2009 Azuma D15/4
(73) Assignee: **TOHATSU CORPORATION**, Tokyo D589,981 S * 4/2009 Iekura D15/4
(JP) D611,062 S * 3/2010 Okamoto D15/4
D611,063 S * 3/2010 Okamoto D15/4
(**) Term: **15 Years** D623,661 S * 9/2010 Yamagishi D15/4
D635,586 S * 4/2011 Okamoto D15/4
(21) Appl. No.: **35/508,800** D643,440 S * 8/2011 Dannenberg D15/4
D663,321 S * 7/2012 Okamoto D15/3
(22) Filed: **Mar. 28, 2019** D663,745 S * 7/2012 Isono D15/4
D671,145 S * 11/2012 Fujiwara D15/4

(Continued)

(80) **Hague Agreement Data**
Int. Filing Date: **Mar. 28, 2019**
Int. Reg. No.: **DM/206380**
Int. Reg. Date: **Mar. 28, 2019**
Int. Reg. Pub. Date: **Mar. 13, 2020**

Primary Examiner — Richard E Chilcot
(74) *Attorney, Agent, or Firm* — Pearne & Gordon LLP

(57) **CLAIM**

The ornamental design for outboard motor, as shown and described.

(30) **Foreign Application Priority Data**

DESCRIPTION

Mar. 13, 2019 (JP) 2019-005239
(51) **LOC (13) Cl.** **15-01**
(52) **U.S. Cl.**
USPC **D15/4**
CPC **B63H 20/32** (2013.01)
(58) **Field of Classification Search**
USPC D15/4, 5
CPC .. B63H 20/32; B63H 2020/323; B63H 23/30;
B63H 23/08; B63H 23/22; B63H 5/14;
B63H 5/15; B63H 21/165; B63H 21/17;
B63H 21/38; B63H 5/125; B63B 35/68
See application file for complete search history.

The patent or application file contains at least one drawing executed in color. Copies of this patent or patent application publication with color drawing(s) will be provided by the Office upon request and payment of the necessary fee.

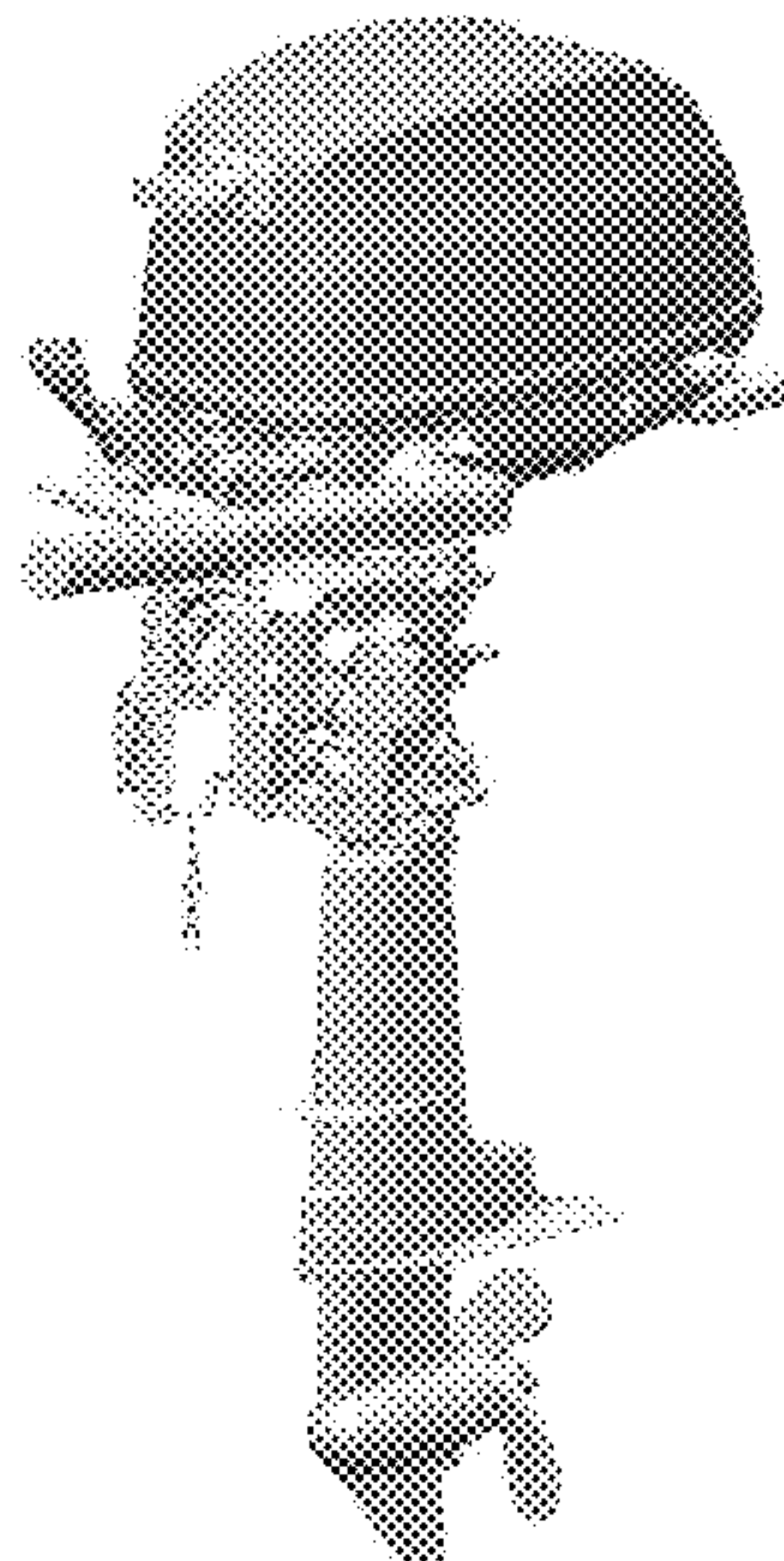
- 1. Outboard motor
- 1.1 : Front
- 1.2 : Back
- 1.3 : Right
- 1.4 : Left
- 1.5 : Top
- 1.6 : Bottom
- 1.7 : Perspective
- 1.8 : Perspective

The features not shown in blue in the drawings illustrate portions of an outboard motor that form no part of the claimed design.

(56) **References Cited**
U.S. PATENT DOCUMENTS

1 Claim, 8 Drawing Sheets
(7 of 8 Drawing Sheet(s) Filed in Color)

D458,938 S * 6/2002 Burmeister D15/5
D463,447 S * 9/2002 Osumi D15/4



(56)

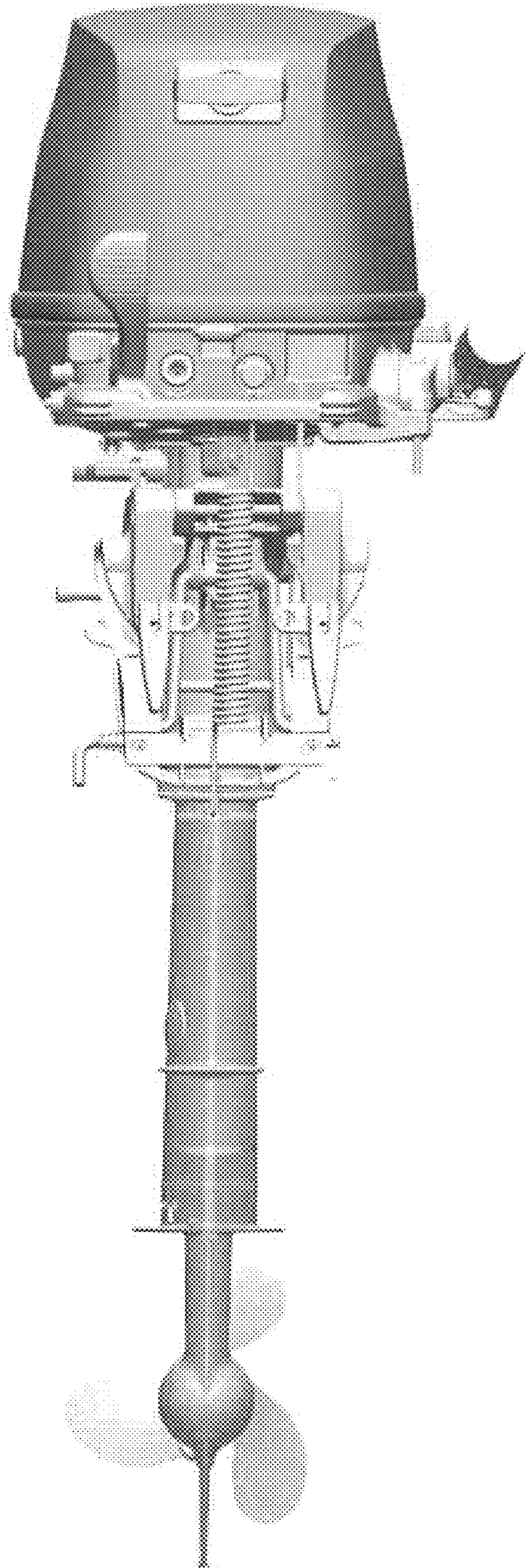
References Cited

U.S. PATENT DOCUMENTS

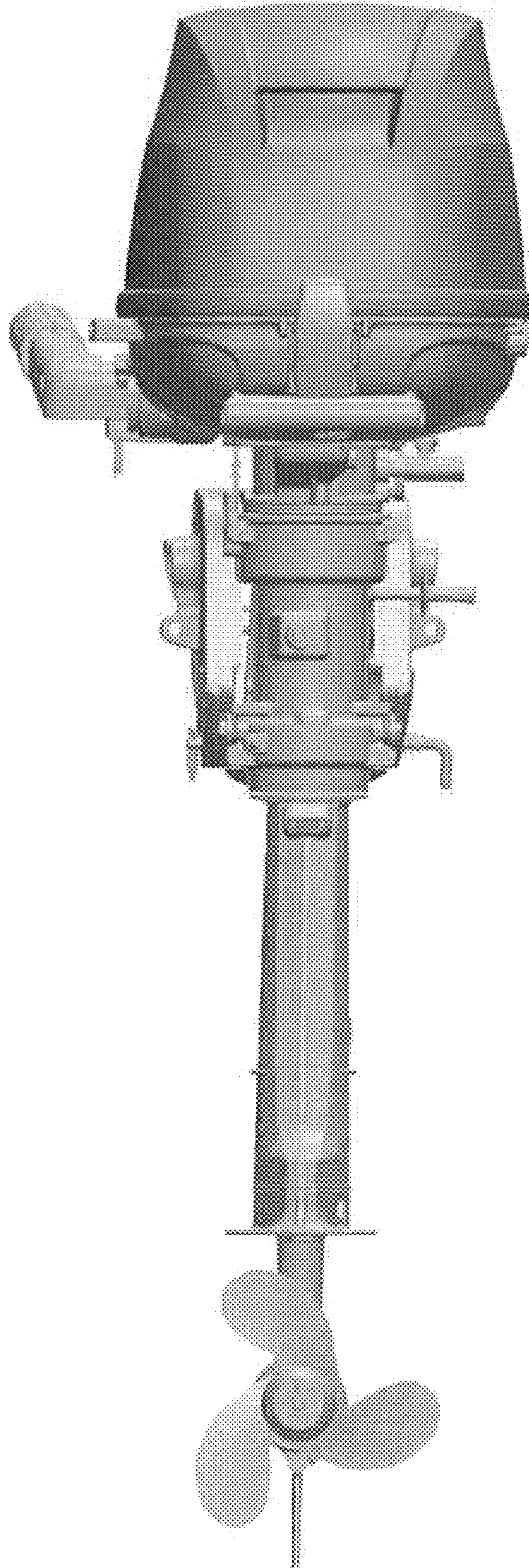
D692,922 S * 11/2013 Okamoto D15/4
8,651,906 B1 * 2/2014 Morton F02M 35/168
440/77
D727,969 S * 4/2015 Okamoto D15/4
9,580,947 B1 * 2/2017 Amerling E05B 73/0076
D818,501 S * 5/2018 Isono D15/4
D834,617 S * 11/2018 Zin D15/4
D886,154 S * 6/2020 Nakaura D15/4
2015/0090523 A1 * 4/2015 Kin Para F02M 35/1272
181/229
2017/0113772 A1 * 4/2017 Kumita B63H 20/32

* cited by examiner

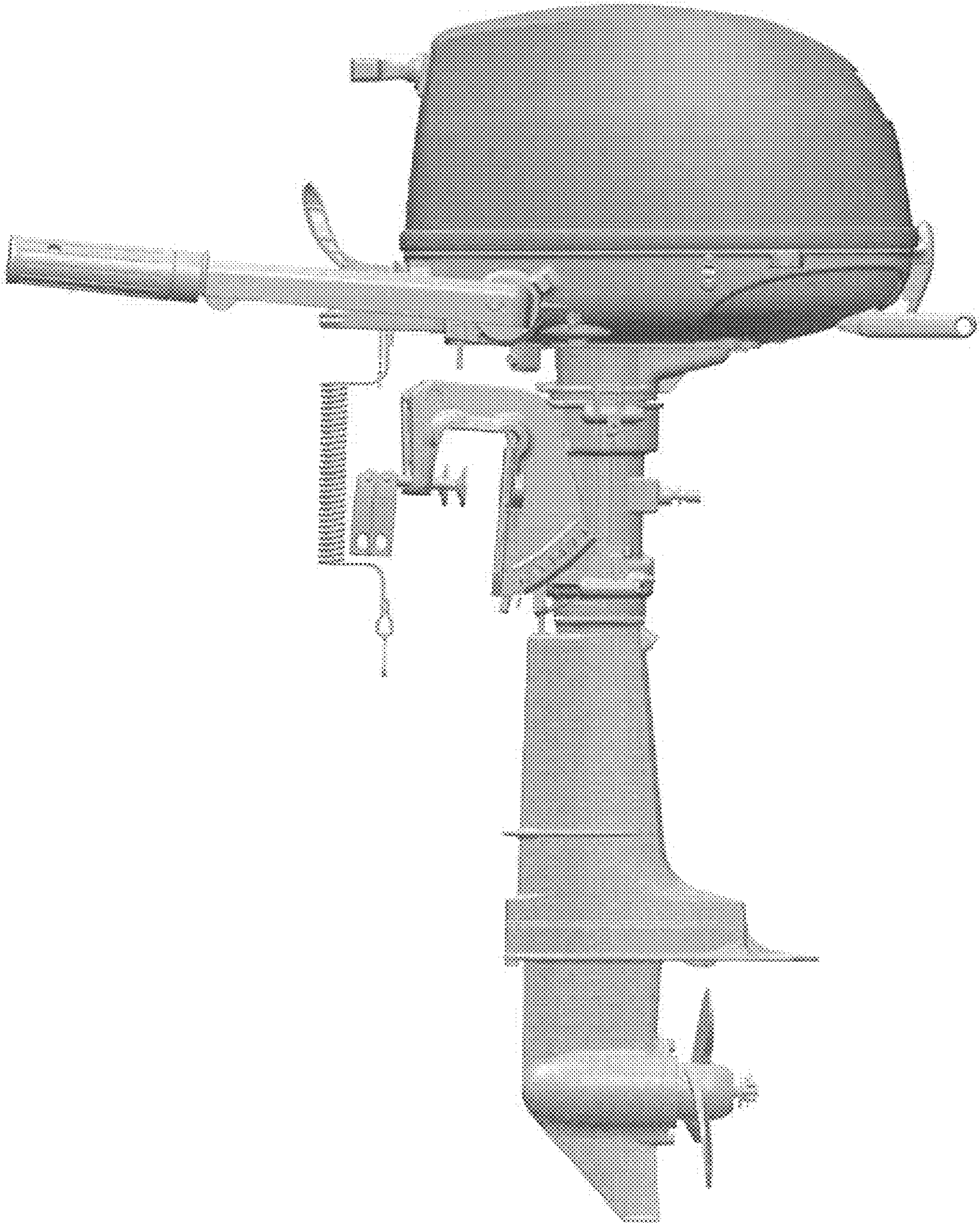
1.1



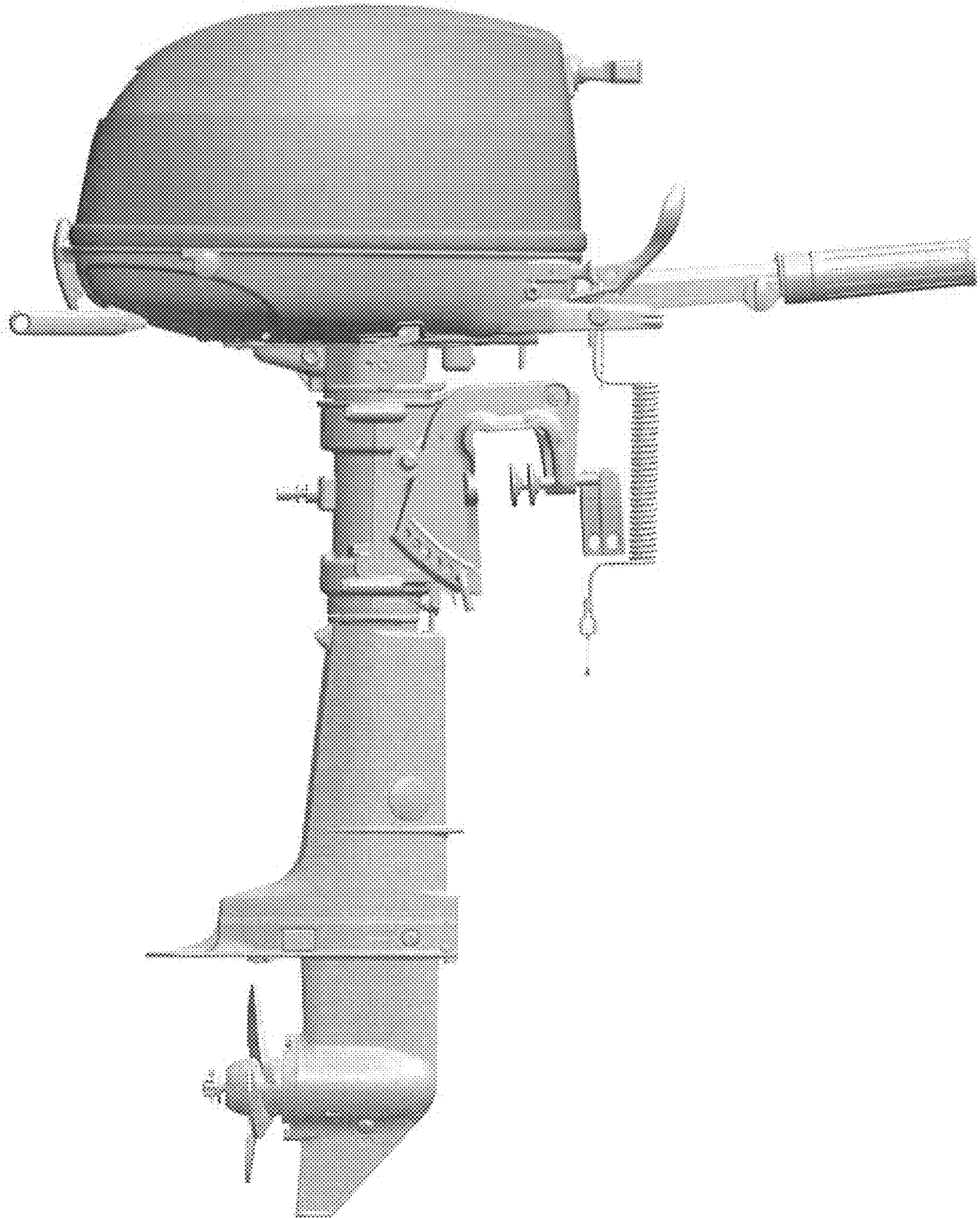
1.2



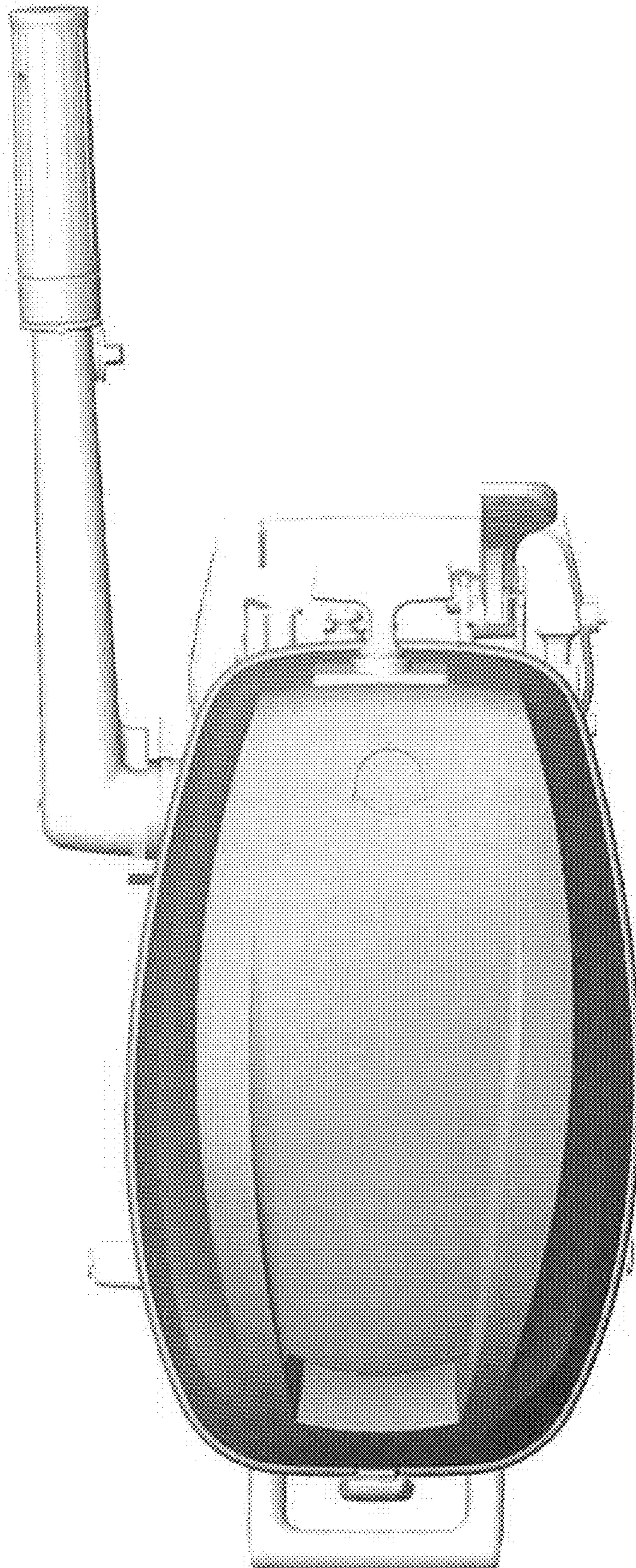
1.3



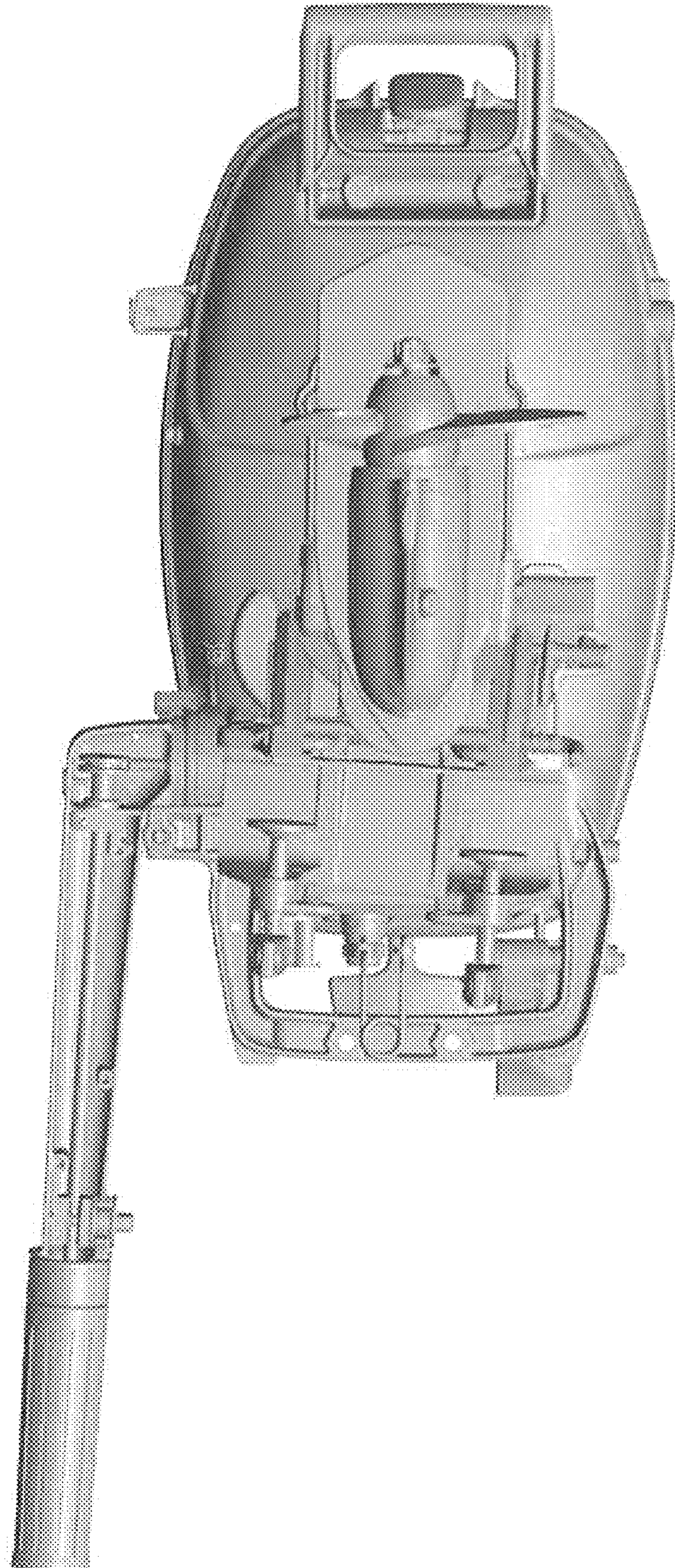
1.4



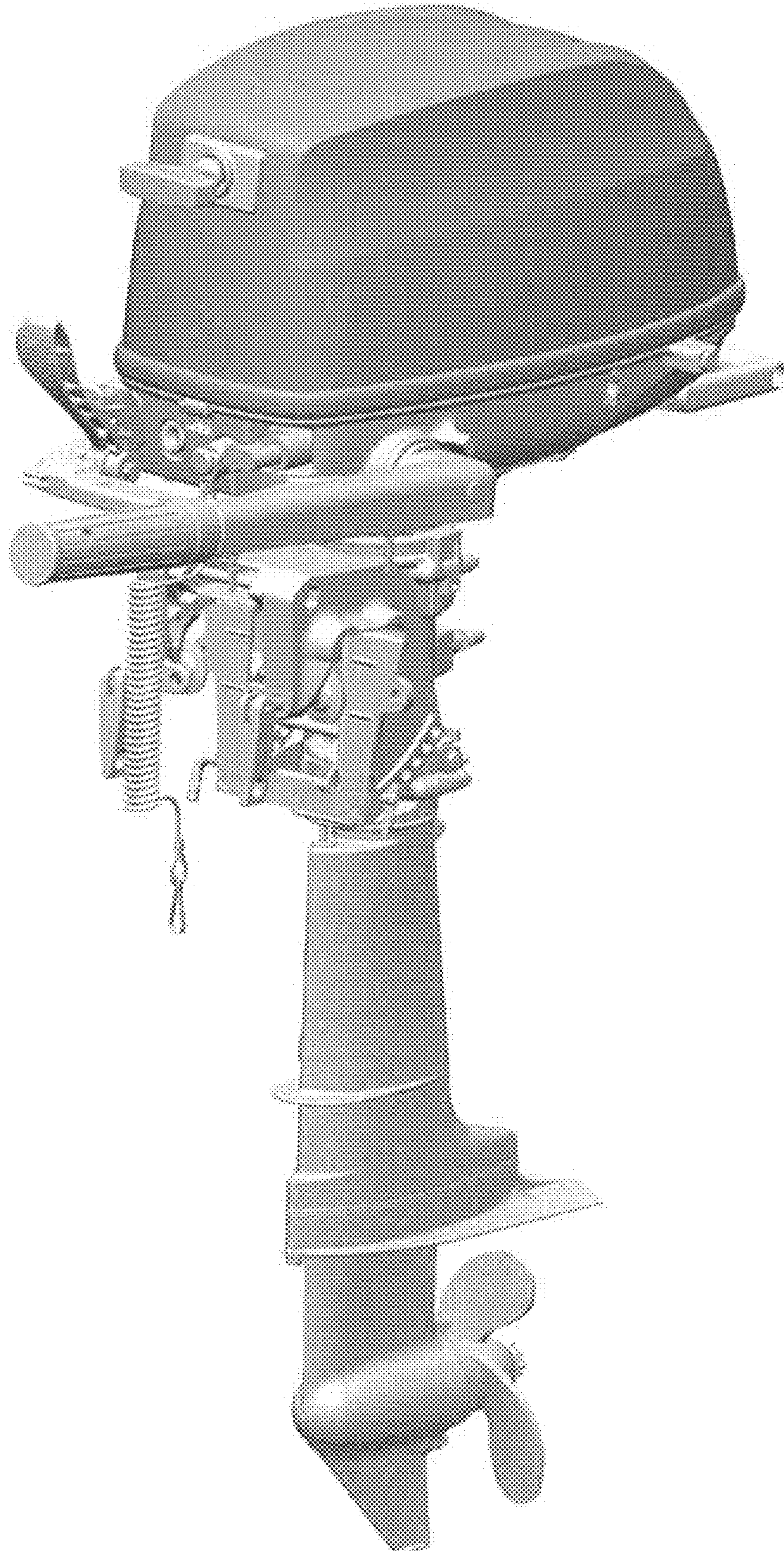
1.5



1.6



1.7



1.8

