



US00D922436S

(12) **United States Design Patent** (10) **Patent No.:** **US D922,436 S**  
**Sato** (45) **Date of Patent:** **\*\* Jun. 15, 2021**

(54) **OUTBOARD MOTOR**  
(71) Applicant: **TOHATSU CORPORATION**, Tokyo (JP)  
(72) Inventor: **Makoto Sato**, Tokyo (JP)  
(73) Assignee: **TOHATSU CORPORATION**, Tokyo (JP)  
(\*\*) Term: **15 Years**  
(21) Appl. No.: **35/508,664**  
(22) Filed: **Mar. 28, 2019**  
(80) **Hague Agreement Data**  
Int. Filing Date: **Mar. 28, 2019**  
Int. Reg. No.: **DM/206031**  
Int. Reg. Date: **Mar. 28, 2019**  
Int. Reg. Pub. Date: **Feb. 28, 2020**

(30) **Foreign Application Priority Data**  
Mar. 13, 2019 (JP) ..... 2019-005241  
(51) **LOC (13) Cl.** ..... **15-01**  
(52) **U.S. Cl.**  
USPC ..... **D15/4**  
CPC ..... **B63H 20/32** (2013.01)  
(58) **Field of Classification Search**  
USPC ..... D15/4, 5  
CPC .. B63H 20/32; B63H 2020/323; B63H 23/30;  
B63H 23/08; B63H 23/22; B63H 5/14;  
B63H 5/15; B63H 21/165; B63H 21/17;  
B63H 21/38; B63H 5/125; B63B 35/68  
See application file for complete search history.

(56) **References Cited**  
U.S. PATENT DOCUMENTS  
D458,938 S \* 6/2002 Burmeister ..... D15/5  
D463,447 S \* 9/2002 Osumi ..... D15/4

6,488,552 B2 \* 12/2002 Kitsu ..... F02B 61/045  
440/77  
D531,639 S \* 11/2006 Okamoto ..... D15/4  
D534,546 S \* 1/2007 Miyaki ..... D15/4  
D536,704 S \* 2/2007 Iekura ..... D15/4  
D537,838 S \* 3/2007 Iekura ..... D15/4  
D568,904 S \* 5/2008 Osumi ..... D15/4  
D589,057 S \* 3/2009 Azuma ..... D15/4  
D589,981 S \* 4/2009 Iekura ..... D15/4  
D611,062 S \* 3/2010 Okamoto ..... D15/4  
D611,063 S \* 3/2010 Okamoto ..... D15/4  
D623,661 S \* 9/2010 Yamagishi ..... D15/4  
D635,586 S \* 4/2011 Okamoto ..... D15/4  
D643,440 S \* 8/2011 Dannenberg ..... D15/4  
D663,321 S \* 7/2012 Okamoto ..... D15/3

(Continued)

*Primary Examiner* — Richard E Chilcot  
(74) *Attorney, Agent, or Firm* — Pearne & Gordon LLP

(57) **CLAIM**

The ornamental design for an outboard motor, as shown and described.

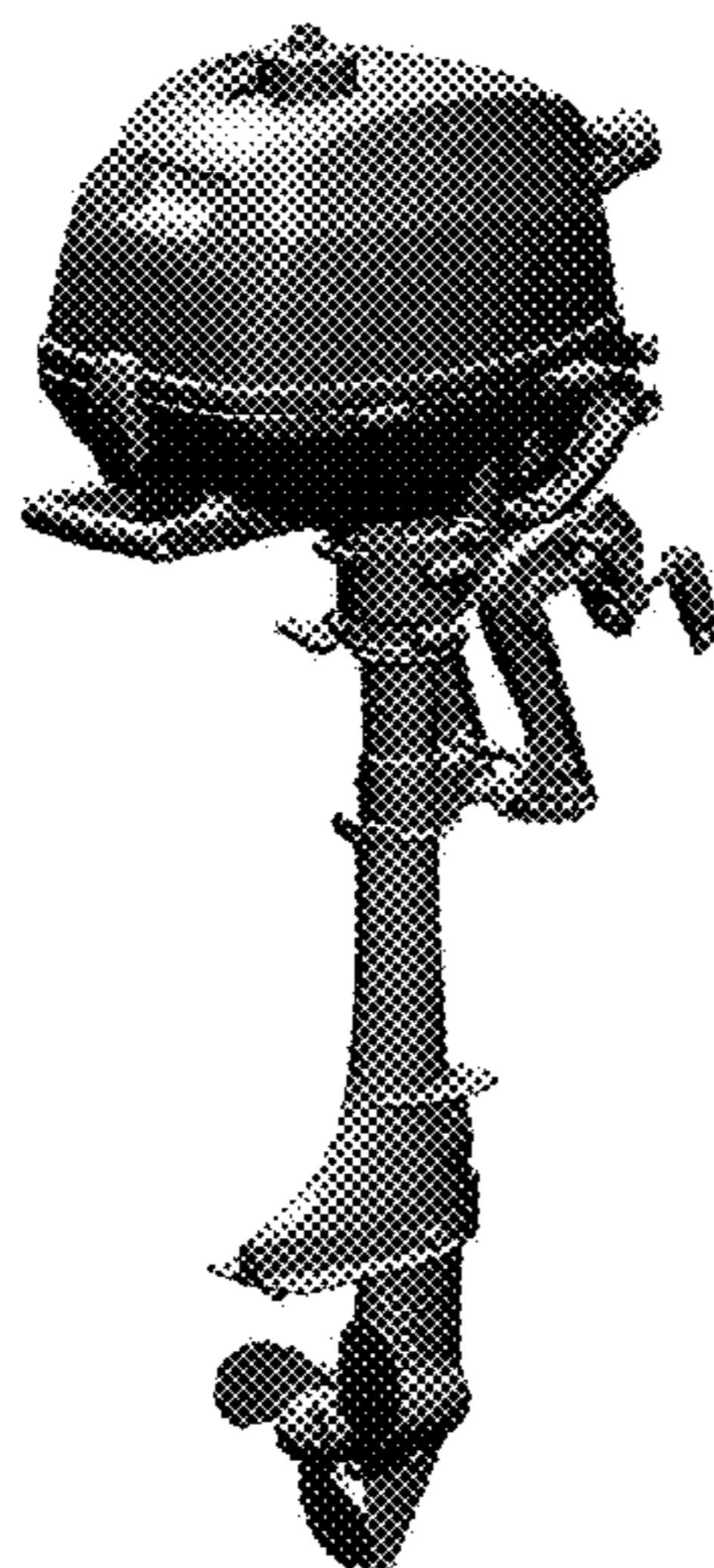
**DESCRIPTION**

The patent or application file contains at least one drawing executed in color. Copies of this patent or patent application publication with color drawing(s) will be provided by the Office upon request and payment of the necessary fee.

- 1. Outboard motor
- 1.1 : Front
- 1.2 : Back
- 1.3 : Right
- 1.4 : Left
- 1.5 : Top
- 1.6 : Bottom
- 1.7 : Perspective
- 1.8 : Perspective
- 1.9 : Perspective
- 1.10 : Perspective

The features not shown in blue in the drawings illustrate portions of an outboard motor that form no part of the claimed design.

**1 Claim, 10 Drawing Sheets**  
**(10 of 10 Drawing Sheet(s) Filed in Color)**



(56)

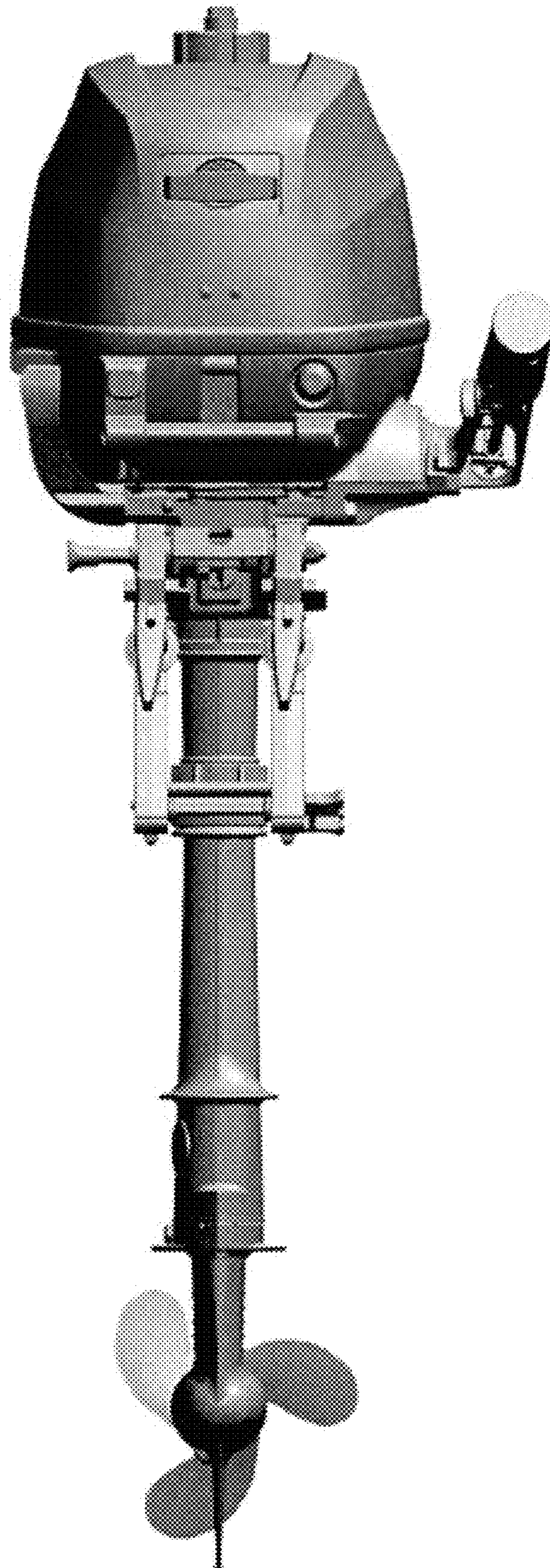
**References Cited**

U.S. PATENT DOCUMENTS

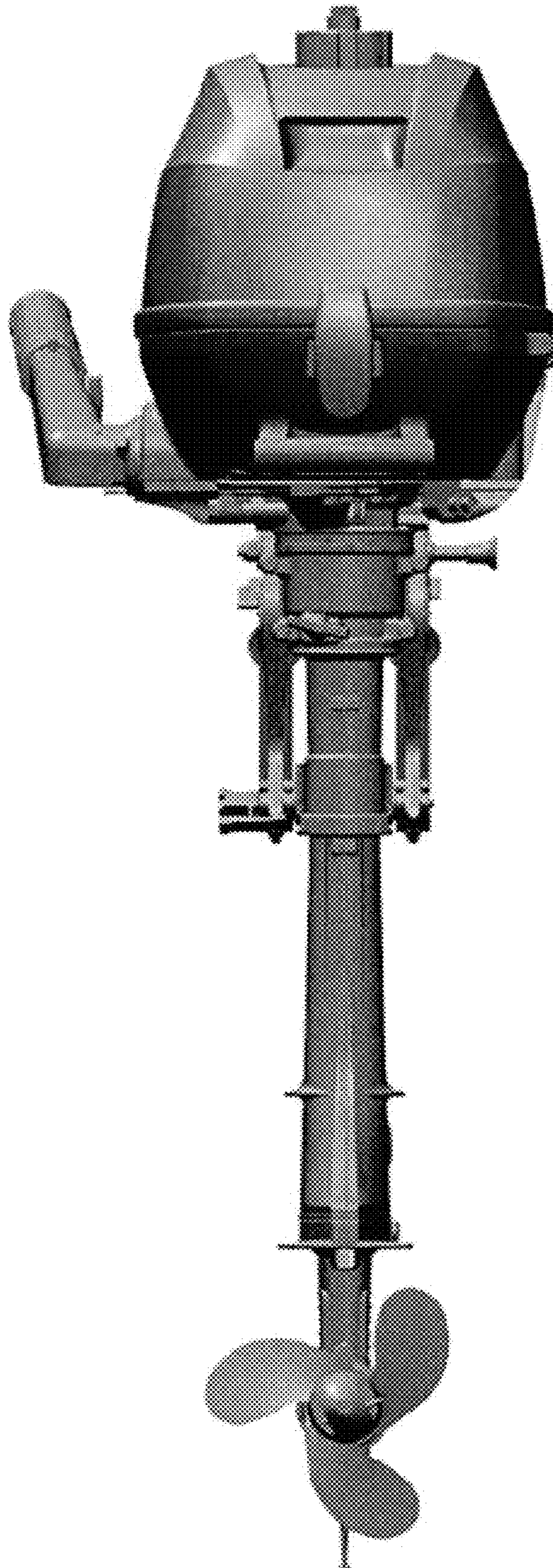
D663,745 S \* 7/2012 Isono ..... D15/4  
D671,145 S \* 11/2012 Fujiwara ..... D15/4  
D692,922 S \* 11/2013 Okamoto ..... D15/4  
8,651,906 B1 \* 2/2014 Morton ..... F02M 35/168  
440/77  
D727,969 S \* 4/2015 Okamoto ..... D15/4  
9,580,947 B1 \* 2/2017 Amerling ..... E05B 73/0076  
D818,501 S \* 5/2018 Isono ..... D15/4  
D834,617 S \* 11/2018 Zin ..... D15/4  
D886,154 S \* 6/2020 Nakaura ..... D15/4  
2015/0090523 A1 \* 4/2015 Kinpara ..... F02M 35/1272  
181/229  
2017/0113772 A1 \* 4/2017 Kumita ..... B63H 20/32

\* cited by examiner

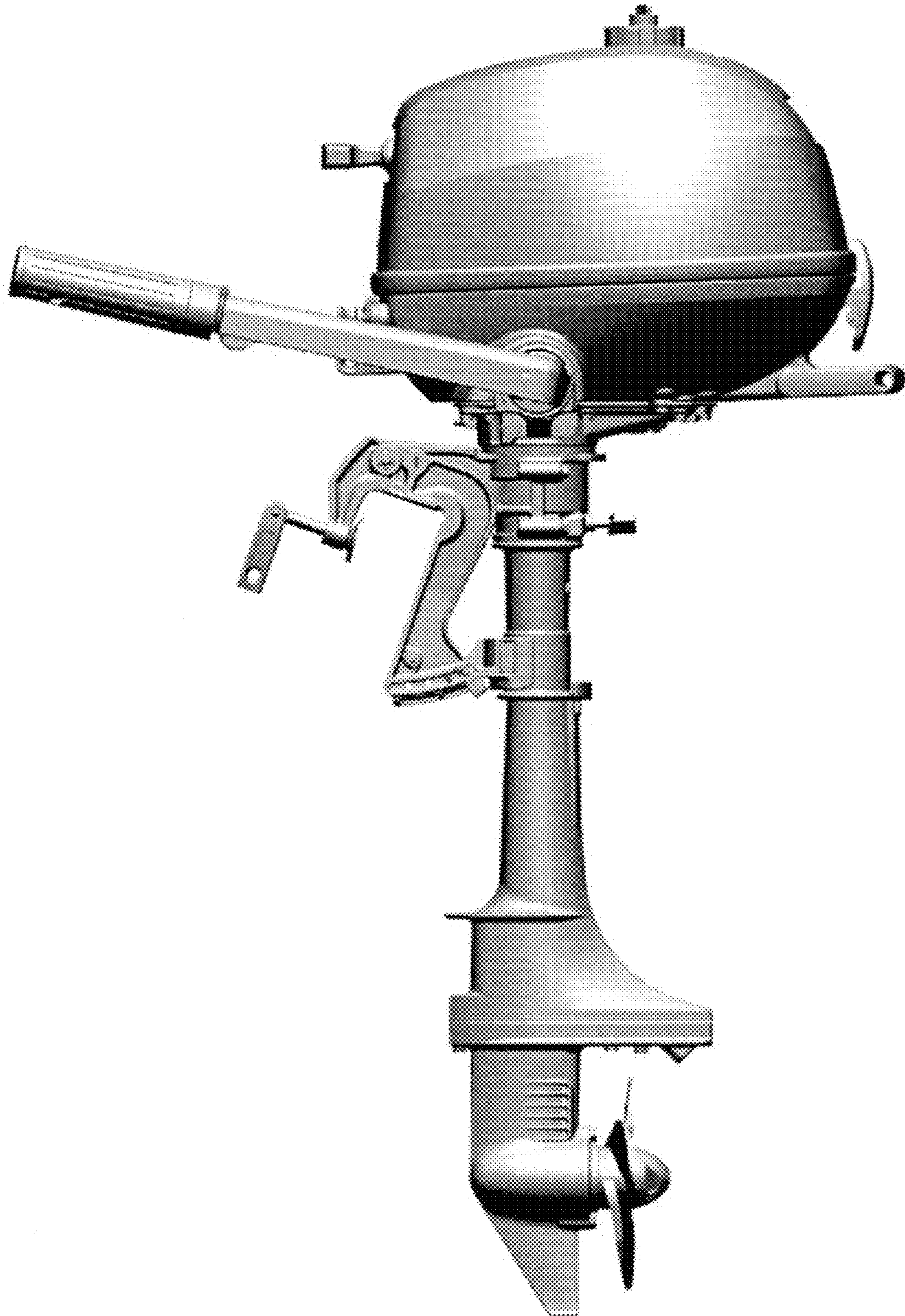
1.1



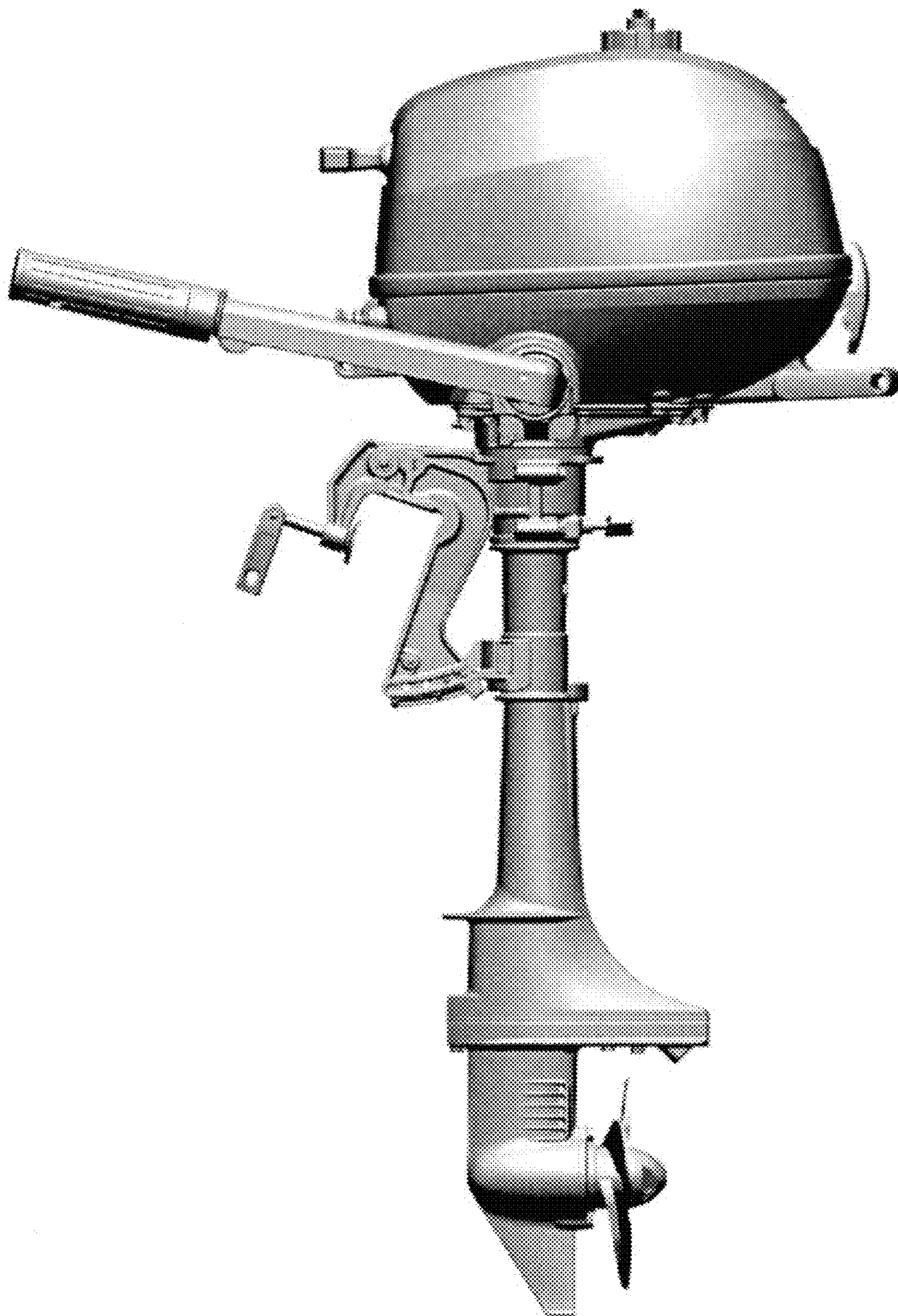
1.2



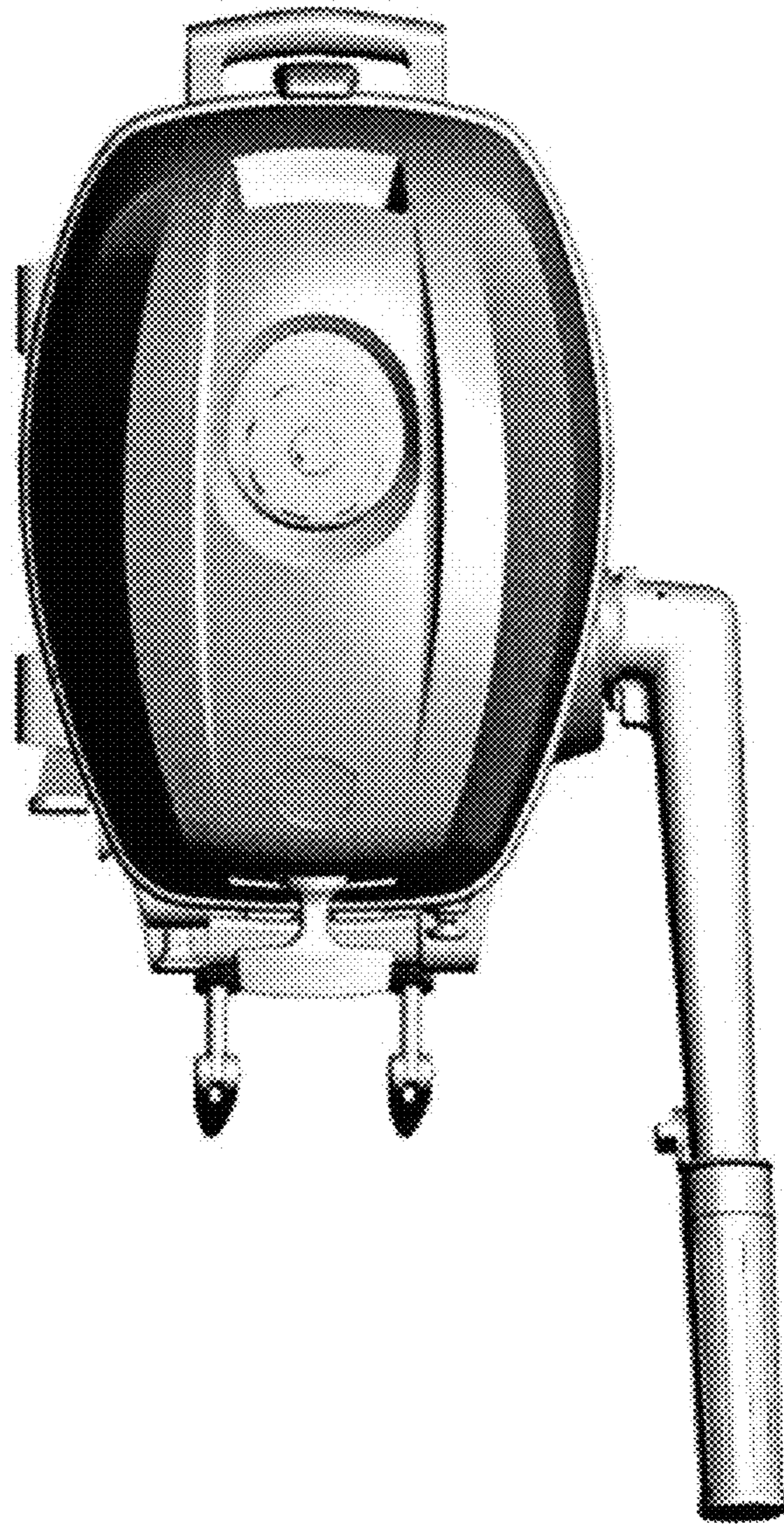
1.3



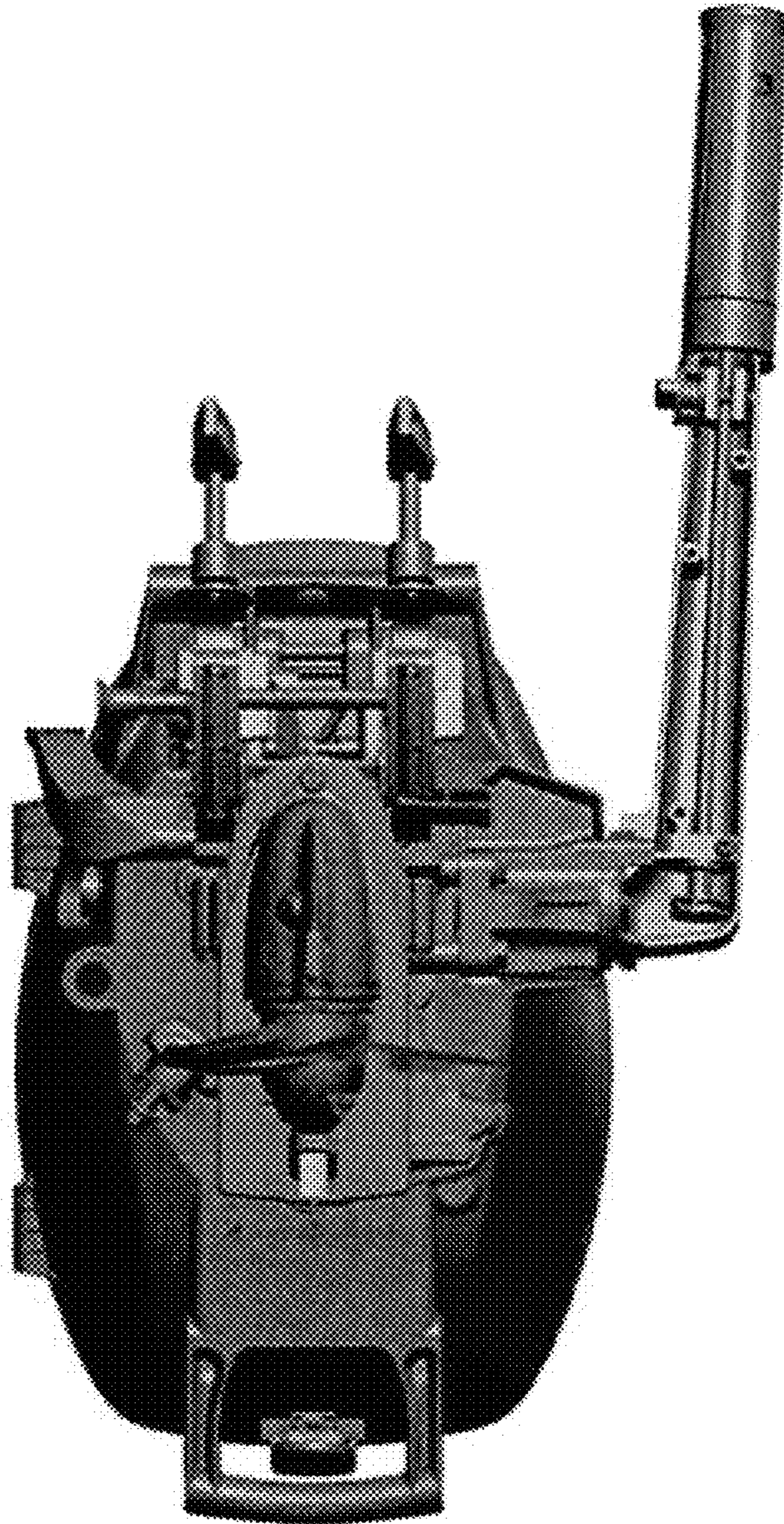
1.4



1.5

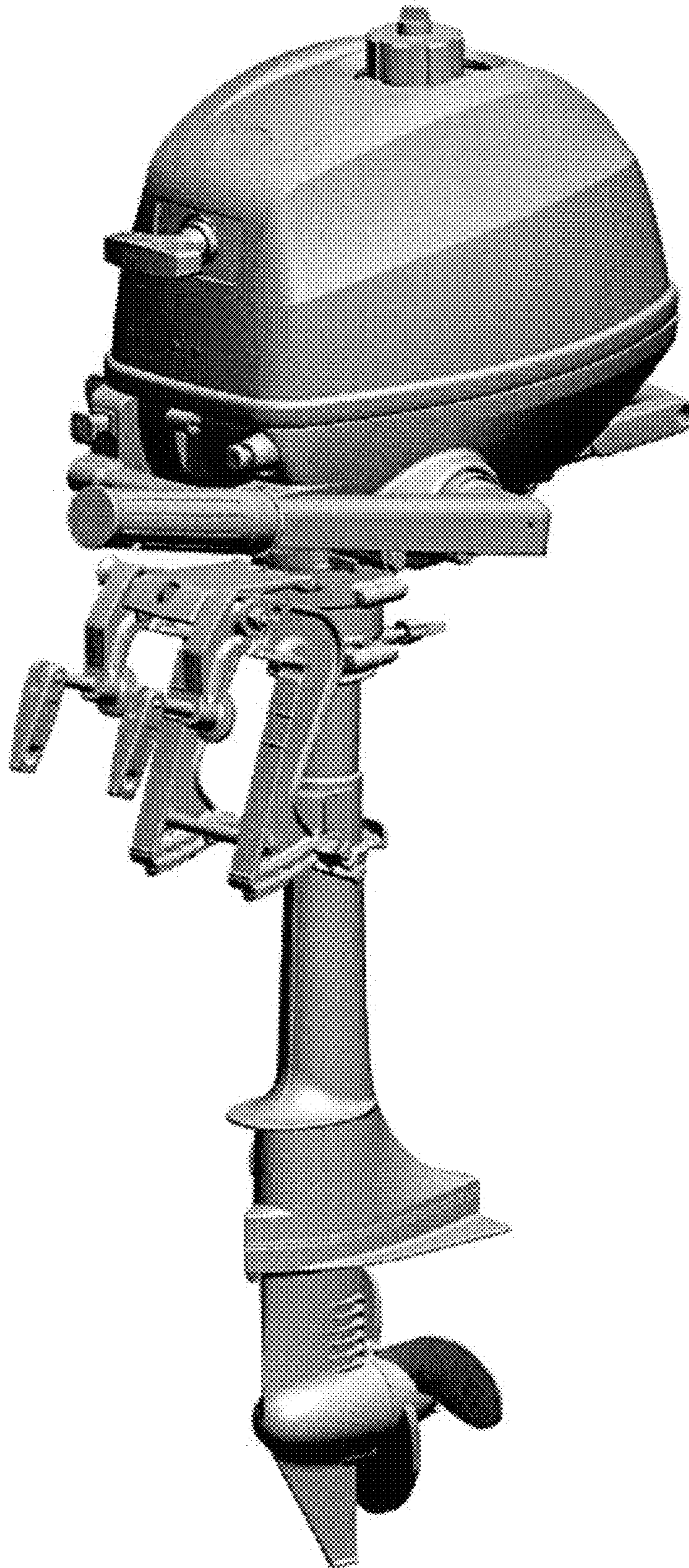


1.6





1.7



1.8



1.9



1.10

