



US00D922401S

(12) **United States Design Patent** (10) **Patent No.:** **US D922,401 S**
Sahu et al. (45) **Date of Patent:** **** Jun. 15, 2021**

(54) **DISPLAY SCREEN WITH ANIMATED GRAPHICAL USER INTERFACE**

Primary Examiner — Rachel A. Voorhies
(74) *Attorney, Agent, or Firm* — Hayes Soloway P.C.

(71) Applicant: **TATA CONSULTANCY SERVICES LIMITED**, Mumbai (IN)

(57) **CLAIM**

(72) Inventors: **Swetaleena Sahu**, Bengaluru (IN);
Annie Thomas, Bengaluru (IN);
Sathish Vallat, Bengaluru (IN); **Nitin Kumar**, Bengaluru (IN)

We claim the ornamental design for a display screen with animated graphical user interface, as shown and described.

(73) Assignee: **TATA CONSULTANCY SERVICES LIMITED**

DESCRIPTION

(**) Term: **15 Years**

FIG. 1 is front view of a first image in a sequence for a display screen with animated graphical user interface; FIG. 2 is a front view of a second image thereof; FIG. 3 is a front view of a third image thereof; FIG. 4 is a front view of a fourth image thereof; FIG. 5 is a front view of a fifth image thereof; FIG. 6 is a front view of a sixth image thereof; FIG. 7 is a front view of a seventh image thereof; FIG. 8 is a front view of an eighth image thereof; FIG. 9 is a front view of a ninth image thereof; FIG. 10 is a front view of a tenth image thereof; FIG. 11 is a front view of an eleventh image thereof; FIG. 12 is a front view of a twelfth image thereof; FIG. 13 is a front view of a thirteenth image thereof; and, FIG. 14 is a front view of a fourteenth image thereof.

(21) Appl. No.: **29/695,225**

(22) Filed: **Jun. 17, 2019**

(51) **LOC (13) Cl.** **14-04**

(52) **U.S. Cl.**
USPC **D14/485**

(58) **Field of Classification Search**
USPC D14/485-495

(Continued)

(56) **References Cited**

U.S. PATENT DOCUMENTS

5,937,190 A * 8/1999 Gregory G06F 30/30
717/131
6,268,853 B1 * 7/2001 Hoskins G05B 15/02
700/83

(Continued)

OTHER PUBLICATIONS

“Progress Indicators—StackedHorizontalProgressBar.” The Android Arsenal, published May 7, 2016 (Retrieved from the Internet Jan. 27, 2021). Internet URL: <<https://android-arsenal.com/details/1/3554>> (Year: 2016).*

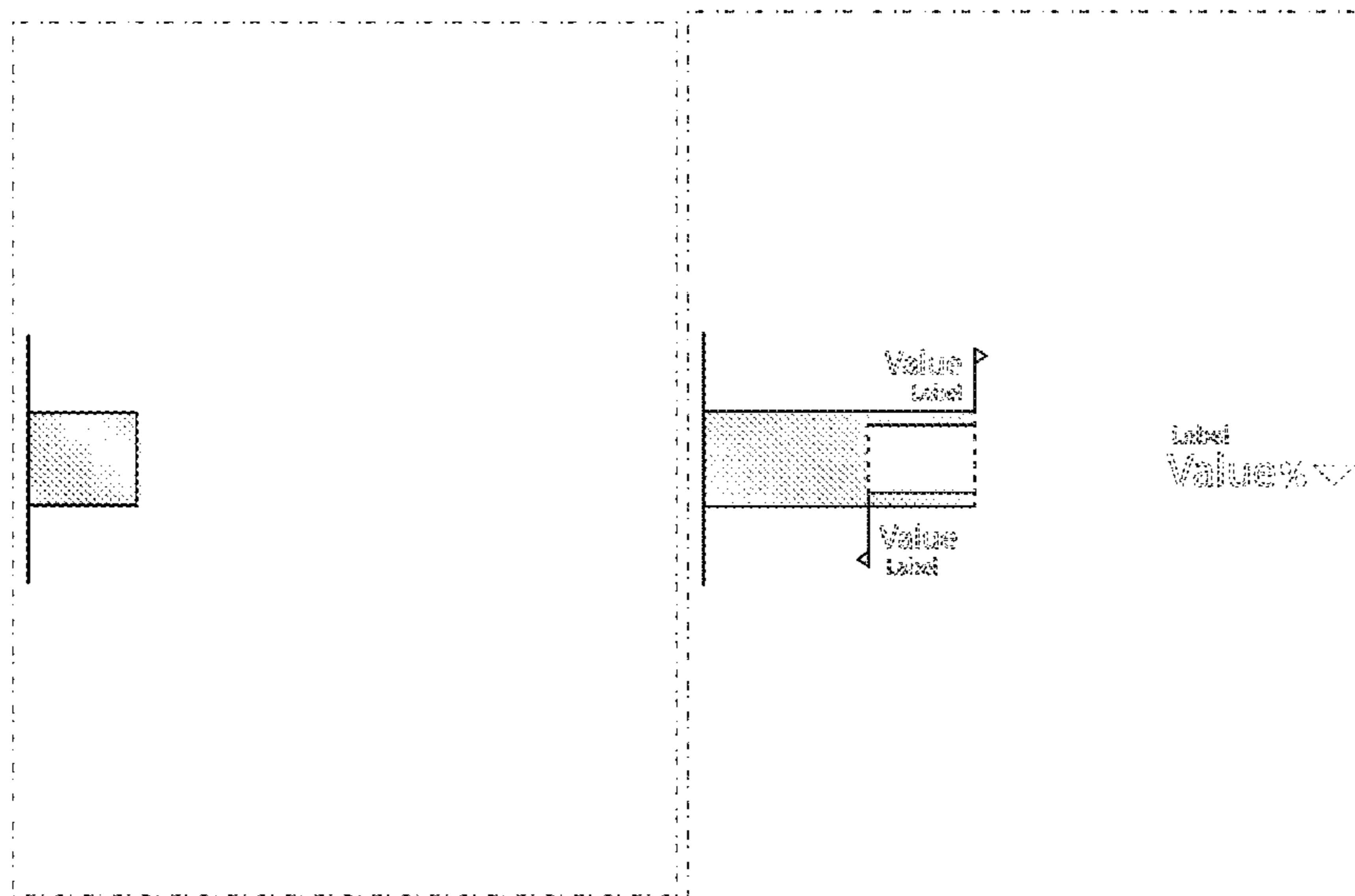
(Continued)

The figures are a front view of a display screen with animated graphical user interface. The dash-dot broken lines showing the display screen are included for the purpose of illustrating environmental structure and portions of the user interface that form no part of the claimed design. The dash-dash broken lines illustrate portions of the user interface for menu navigation that form no part of the claimed design.

The shading within the figures shows the contrasting surfaces, which form part of the claimed design.

The appearance of the image transitions sequentially between the images shown in FIGS. 1-14. The process or period in which an image transitions to another forms no part of the claimed design.

1 Claim, 14 Drawing Sheets



(58) **Field of Classification Search**
 CPC G06F 3/048; H04M 1/72519–72561
 See application file for complete search history.

(56) **References Cited**

U.S. PATENT DOCUMENTS

D544,495	S	*	6/2007	Evans	D14/488
D555,664	S	*	11/2007	Nagata	D14/488
D564,535	S	*	3/2008	Sadler	D14/487
D595,301	S	*	6/2009	Akimoto	D14/485
D595,726	S	*	7/2009	Akimoto	D14/485
D607,463	S	*	1/2010	Krieter	D14/485
D638,852	S	*	5/2011	Skidmore	D14/488
D671,952	S	*	12/2012	Goldstein	D14/485
D675,634	S	*	2/2013	Goldstein	D14/485
D687,047	S	*	7/2013	Hales, IV	D14/485
D752,086	S	*	3/2016	Sang-hyun	D14/488
D755,207	S	*	5/2016	Moon	D14/485
D768,178	S	*	10/2016	Valade	D14/486
D770,497	S	*	11/2016	Gupta	D14/486
D773,487	S	*	12/2016	Colley	D14/485
D815,112	S	*	4/2018	Okazaki	D14/485
D816,702	S	*	5/2018	Jeong	D14/486
D834,046	S	*	11/2018	Matsumura	D14/486
D871,419	S	*	12/2019	Hu	D14/485
D882,604	S	*	4/2020	Kuklinski	D14/486
D883,314	S	*	5/2020	Goodman	D14/486
D884,021	S	*	5/2020	Klein	D14/488
D888,070	S	*	6/2020	Yusupov	D14/485
D889,483	S	*	7/2020	Amini	D14/485
D889,484	S	*	7/2020	Amini	D14/485
D890,790	S	*	7/2020	Marks	D14/486
D896,819	S	*	9/2020	Joseph	D14/485
D896,826	S	*	9/2020	Abel	D14/486
D897,353	S	*	9/2020	Hall	D14/485
D897,360	S	*	9/2020	Jang	D14/486
D900,834	S	*	11/2020	Yamazaki	D14/485
D900,859	S	*	11/2020	Satterlie	D14/487
D905,747	S	*	12/2020	Imaishi	D14/491
2001/0024195	A1	*	9/2001	Hayakawa	G06F 3/04847 345/173
2003/0095135	A1	*	5/2003	Kaasila	G06T 11/203 345/613

2010/0100899	A1	*	4/2010	Bradbury	H04L 65/4092 725/29
2011/0249149	A1	*	10/2011	Ishida	H04N 5/23293 348/239
2013/0033477	A1	*	2/2013	Sirpal	G06F 3/04883 345/211
2013/0123973	A1	*	5/2013	Saranow	G07F 13/06 700/233
2014/0223462	A1	*	8/2014	Aimone	A61B 5/369 725/10
2014/0304606	A1	*	10/2014	Ohmura	G06F 3/167 715/728
2014/0316581	A1	*	10/2014	Fadell	F24F 11/30 700/276
2014/0331153	A1	*	11/2014	Park	G06F 3/0482 715/763
2015/0011970	A1	*	1/2015	Kamen	A61M 5/14244 604/504
2015/0067811	A1	*	3/2015	Agnew	H04L 67/06 726/9
2015/0112264	A1	*	4/2015	Kamen	G16H 40/67 604/151
2017/0201850	A1	*	7/2017	Raleigh	G06F 3/0482
2017/0311903	A1	*	11/2017	Davis	A61B 5/165
2018/0007431	A1	*	1/2018	Sidhu	H04N 21/4394
2018/0015284	A1	*	1/2018	Coleman	A61N 1/0452
2018/0101466	A1	*	4/2018	O'Dowd	G06F 11/3664
2018/0225616	A1	*	8/2018	Jones	G06N 5/045
2018/0268792	A1	*	9/2018	Serletic	H04N 5/76
2018/0335921	A1	*	11/2018	Karunamuni	G06F 3/0488
2018/0335939	A1	*	11/2018	Karunamuni	G06F 8/38
2019/0369699	A1	*	12/2019	Pathak	G06F 11/3409

OTHER PUBLICATIONS

Hiner, Jason. "CES 2019: Atmos launches touch panel to unify control of smart home." CNET, published Jan. 10, 2019 (Retrieved from the Internet Jan. 29, 2021). Internet URL: <<https://www.cnet.com/news/ces-2019-atmos-launches-touch-panel-to-unify-control-of-the-smart-home/>> (Year: 2019).*

* cited by examiner

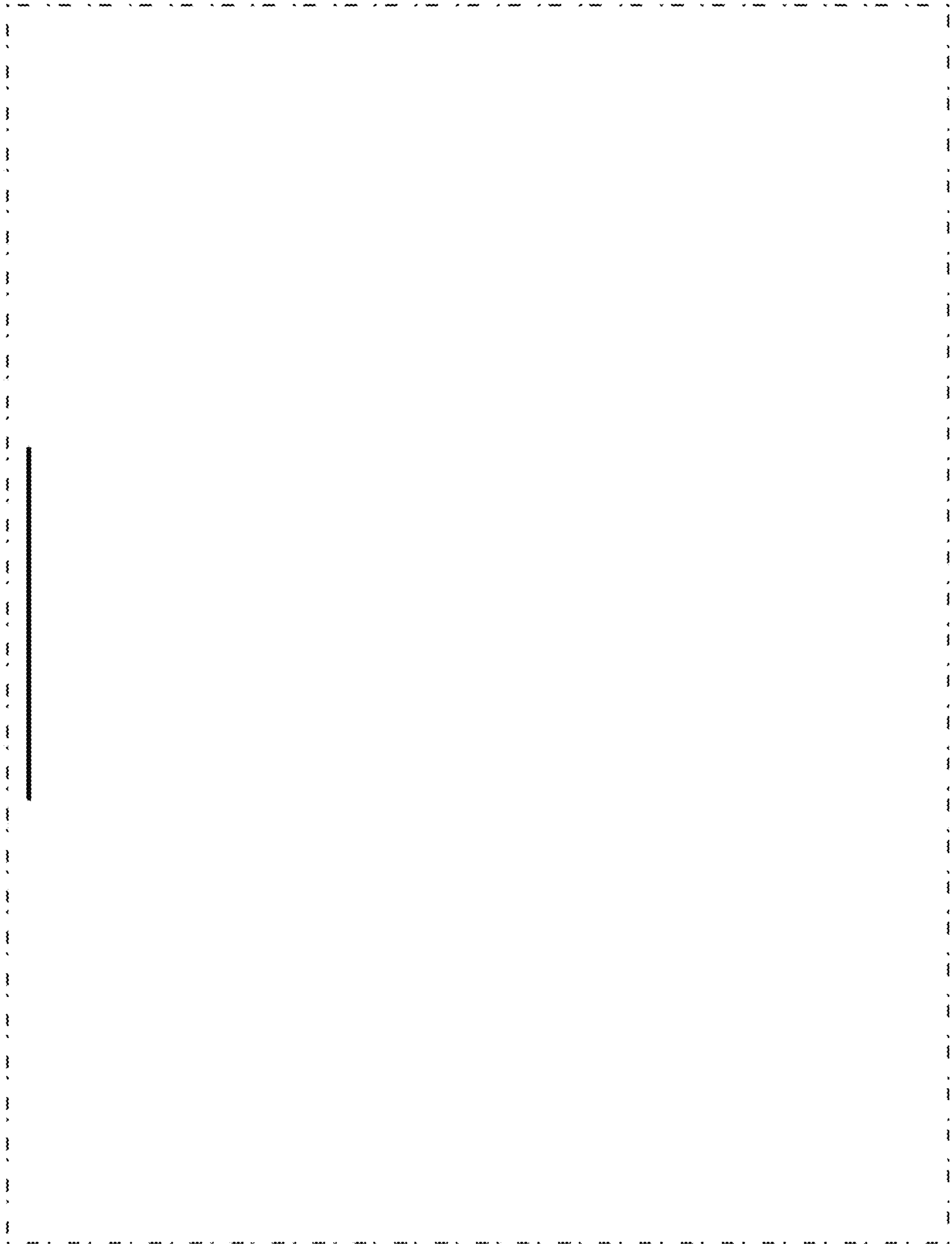


FIG. 1

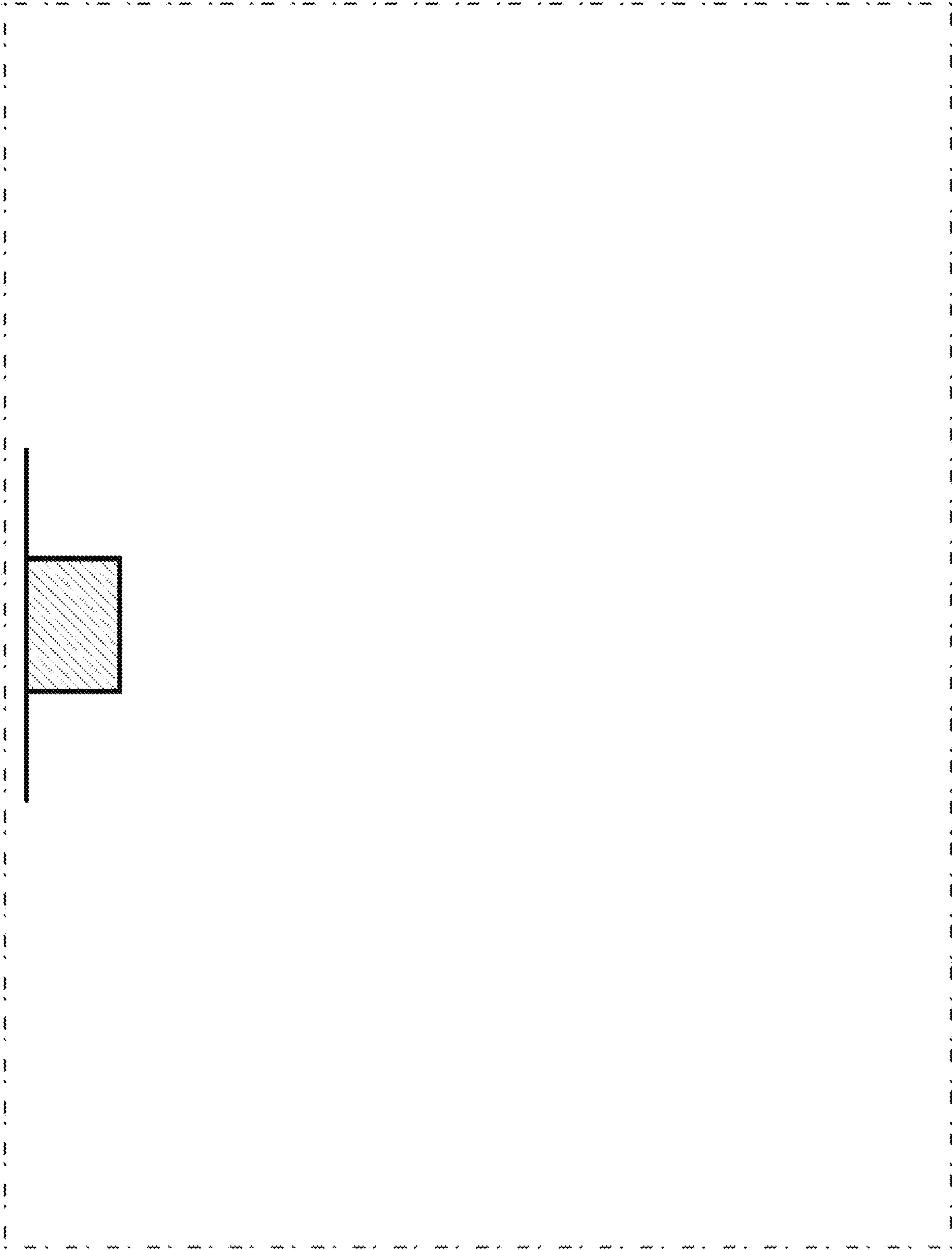


FIG. 2

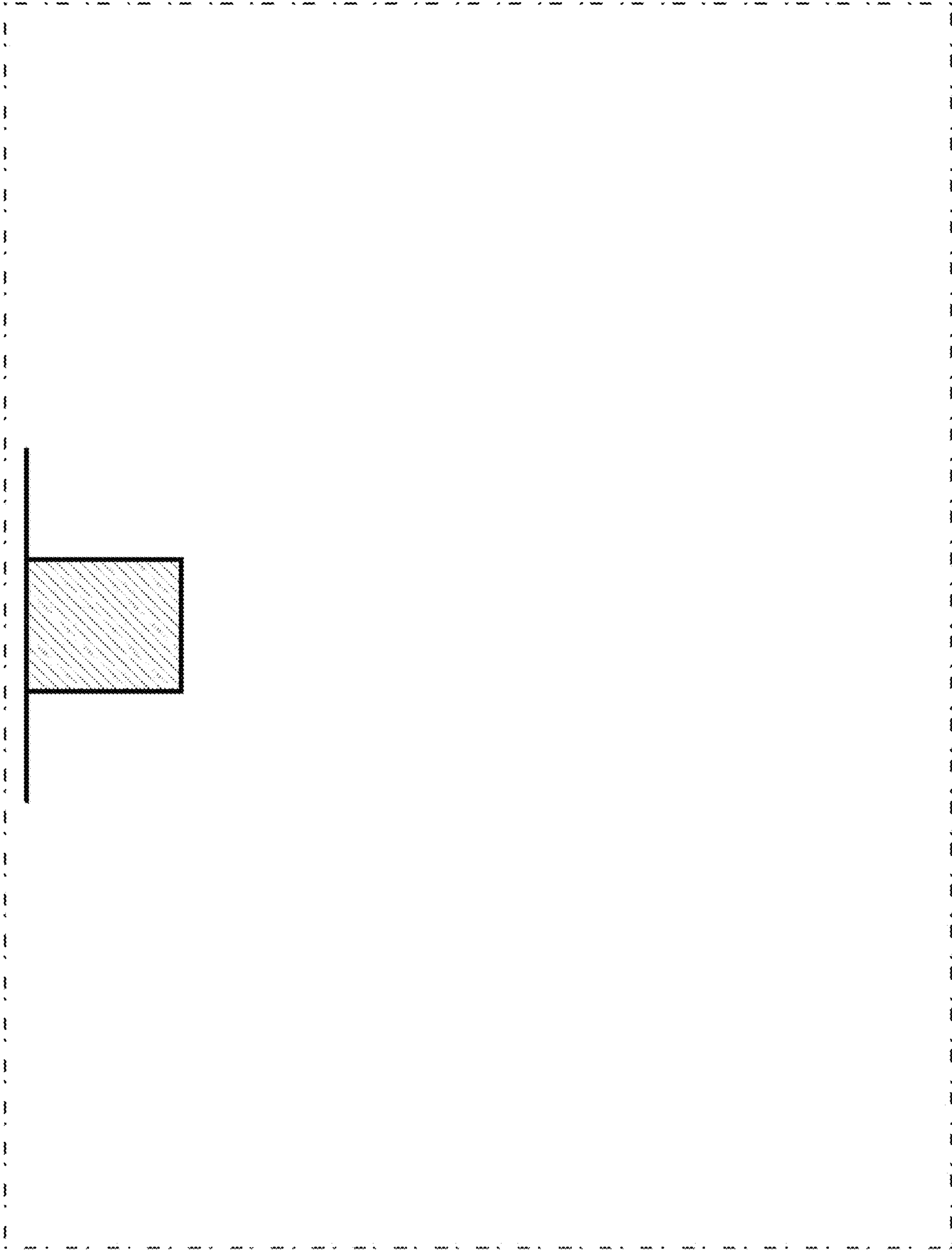


FIG. 3

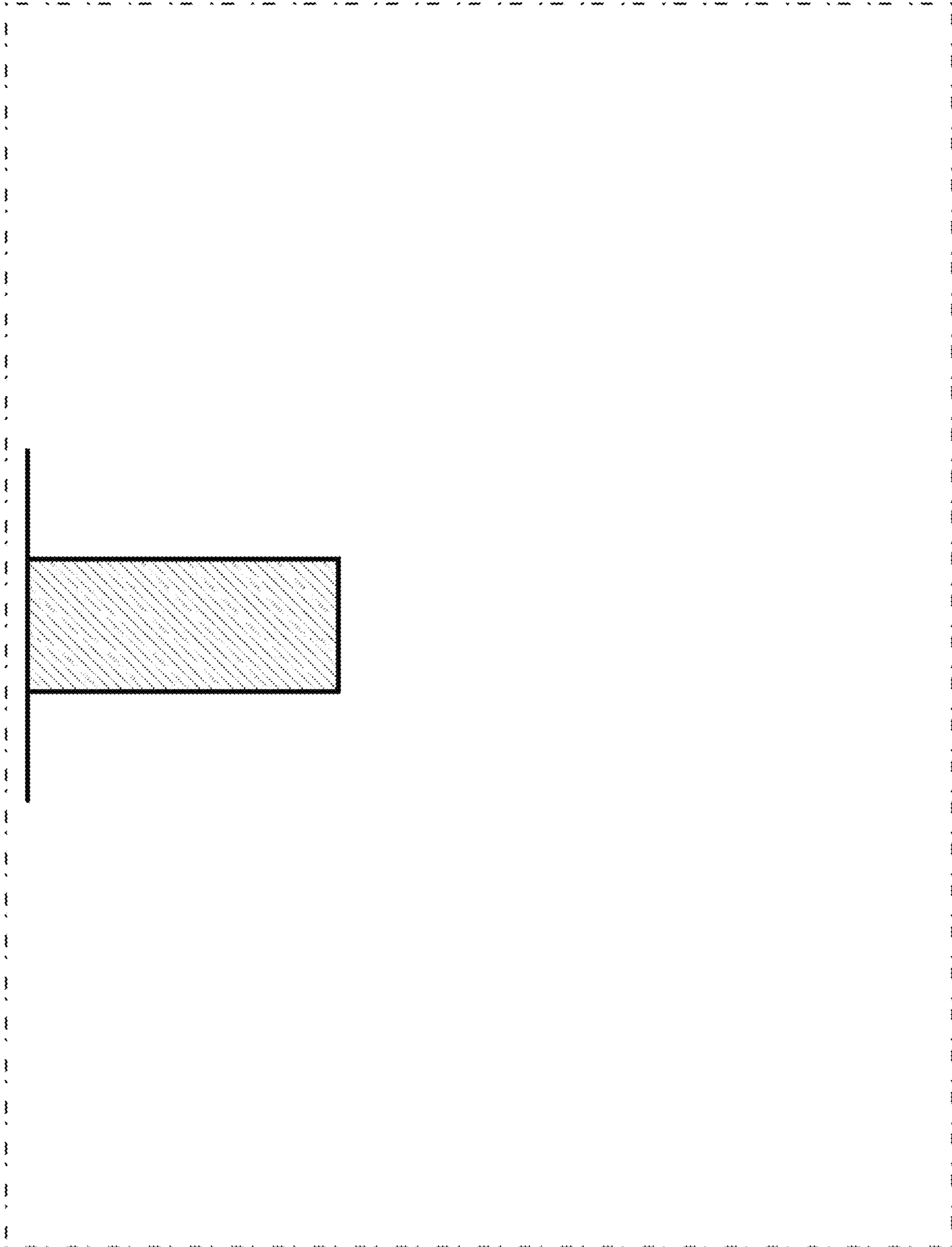


FIG. 4

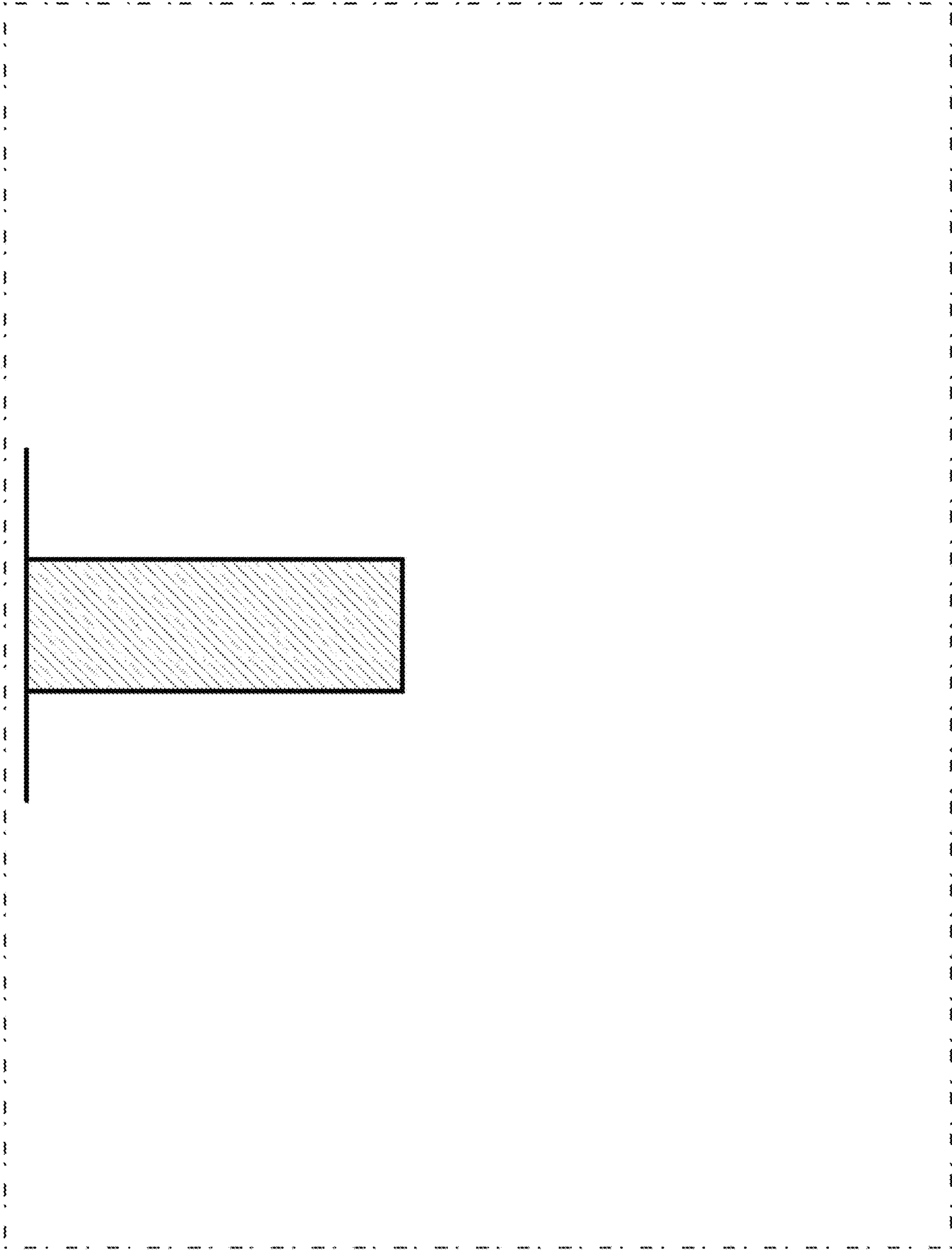


FIG. 5

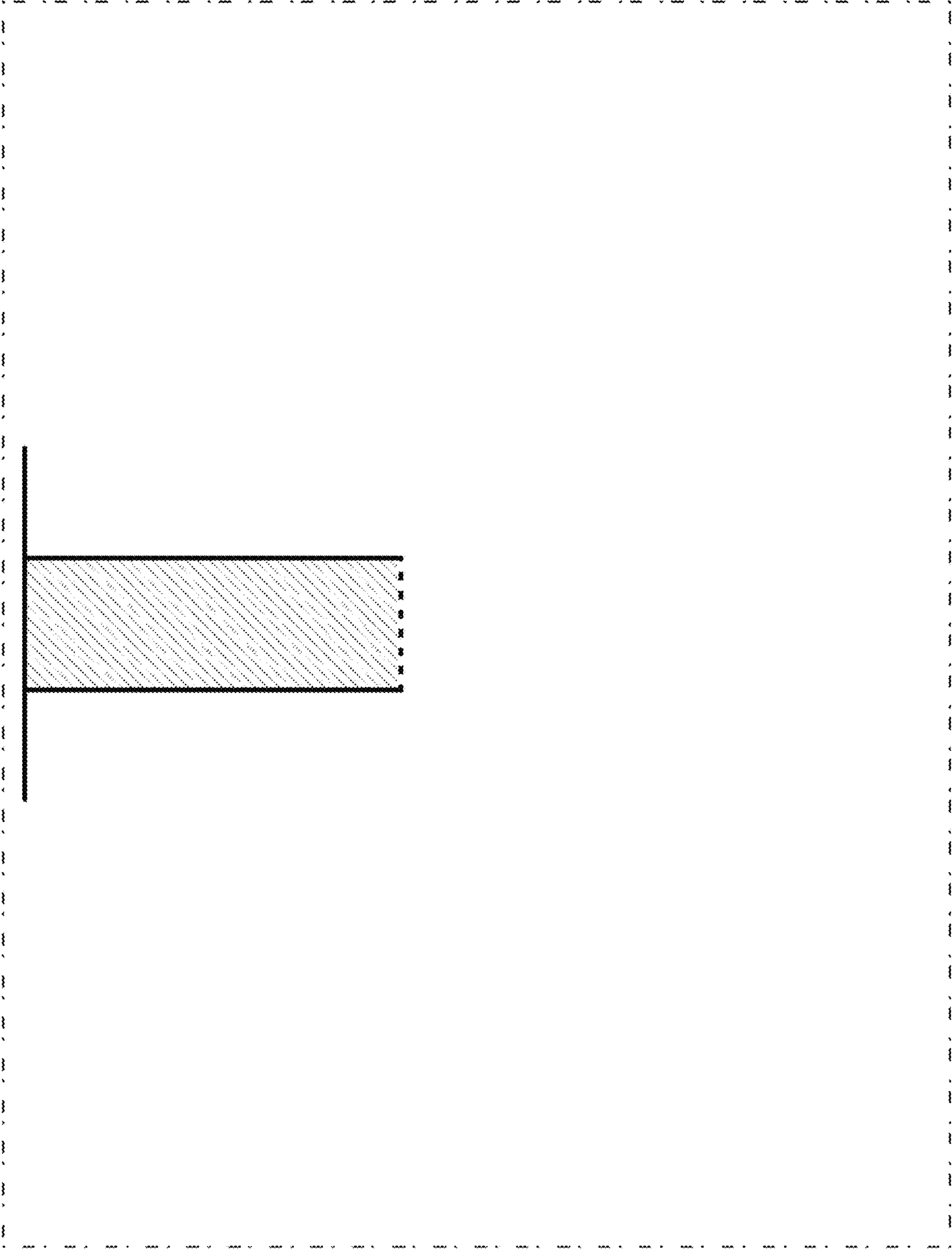


FIG. 6

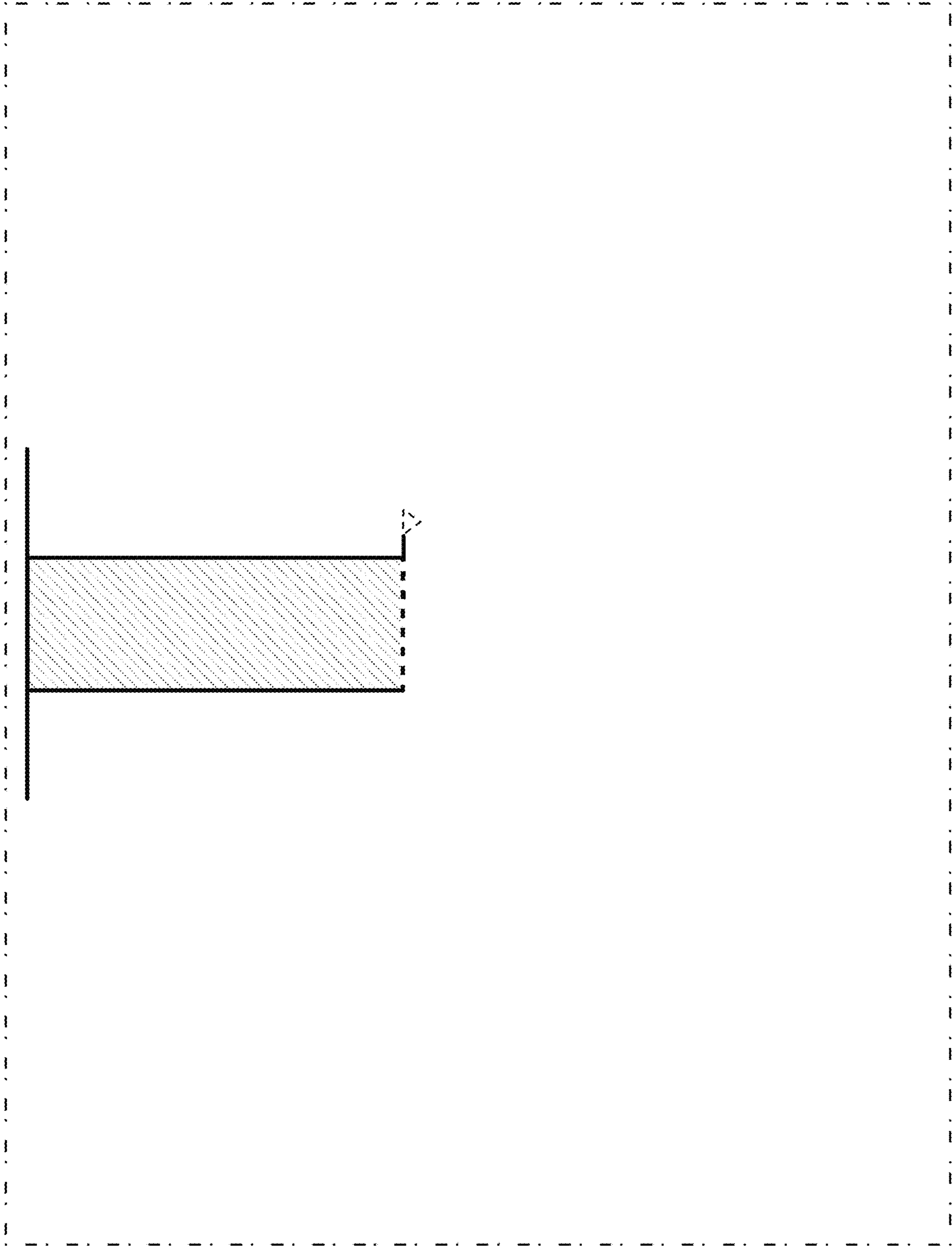


FIG. 7

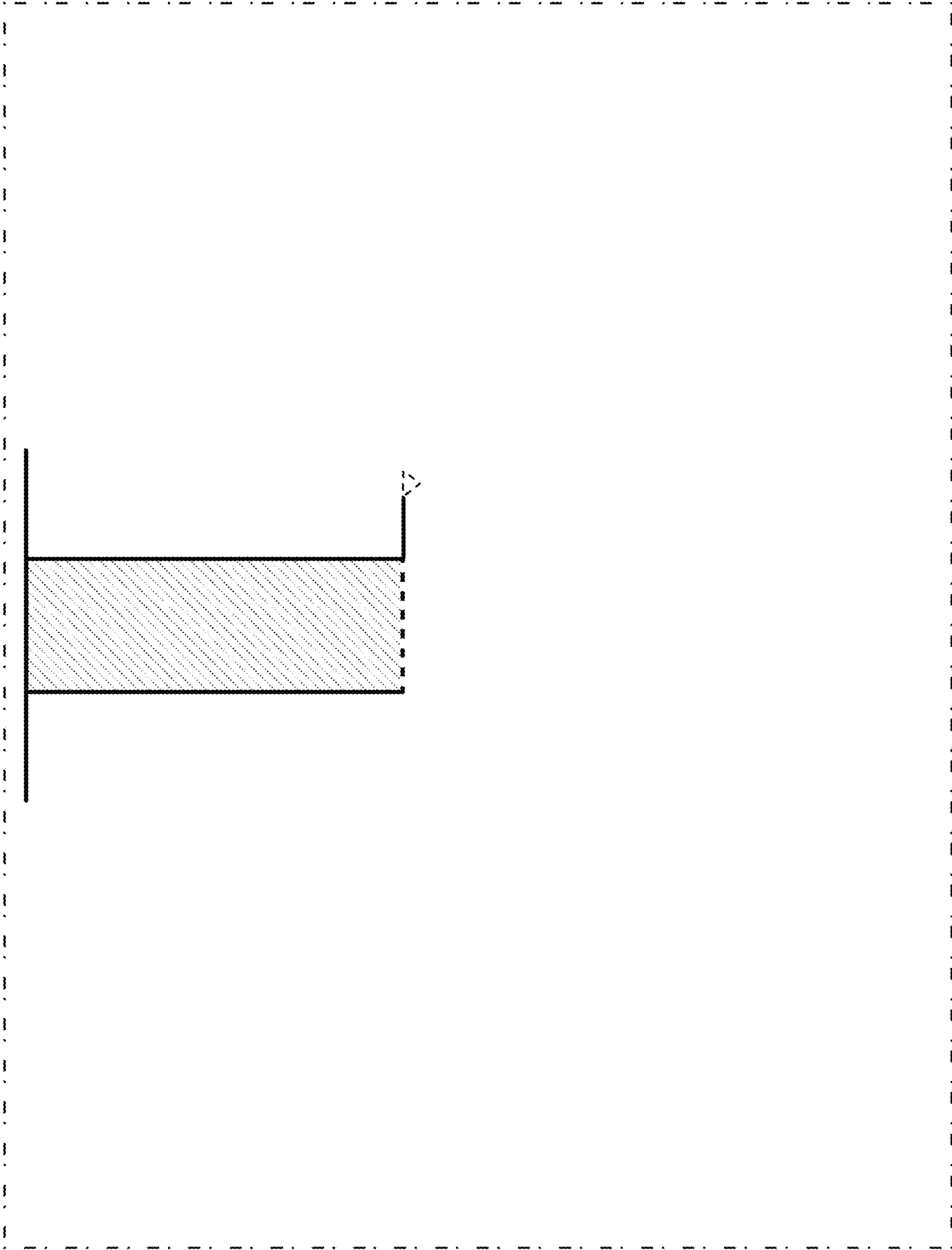


FIG. 8

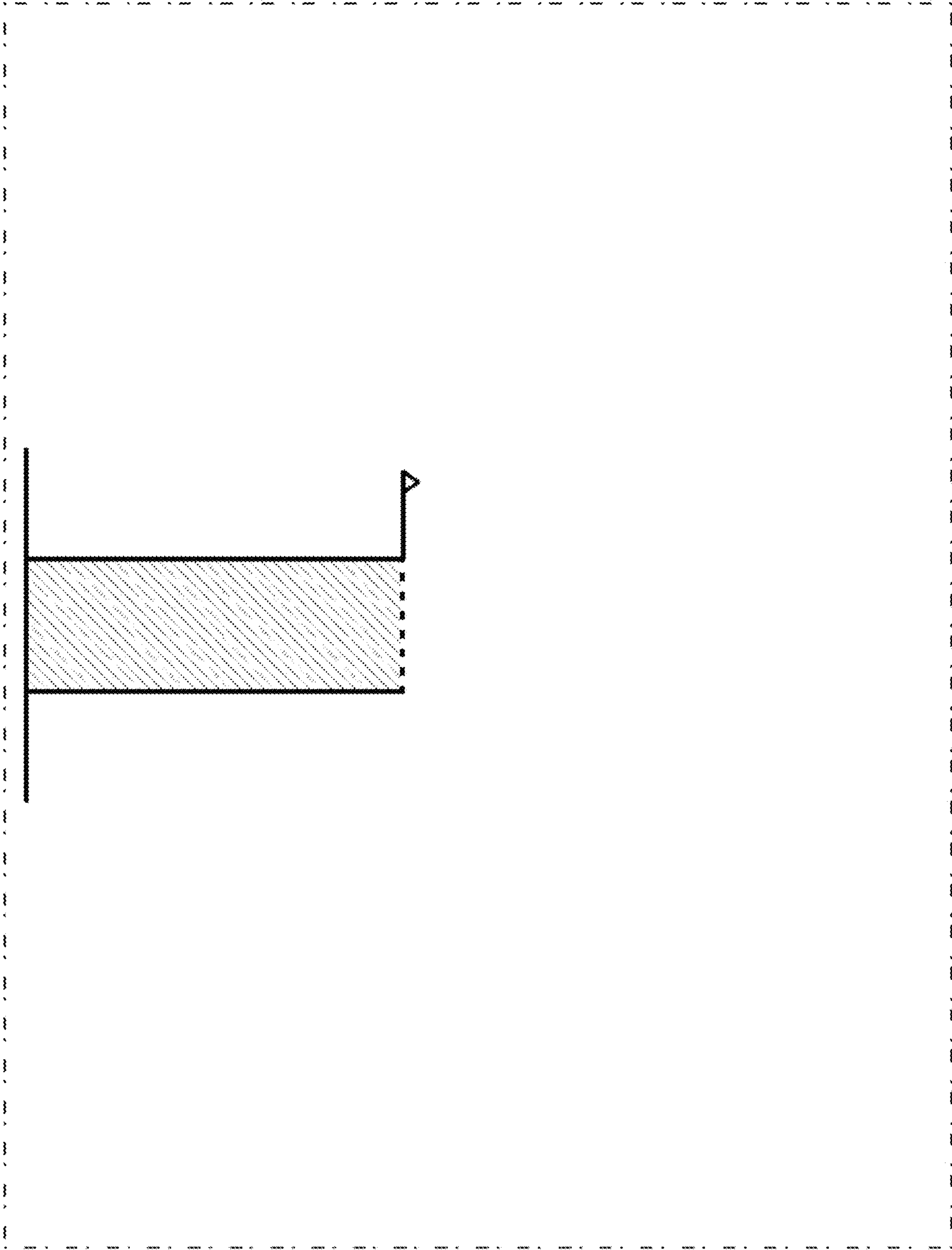


FIG. 9

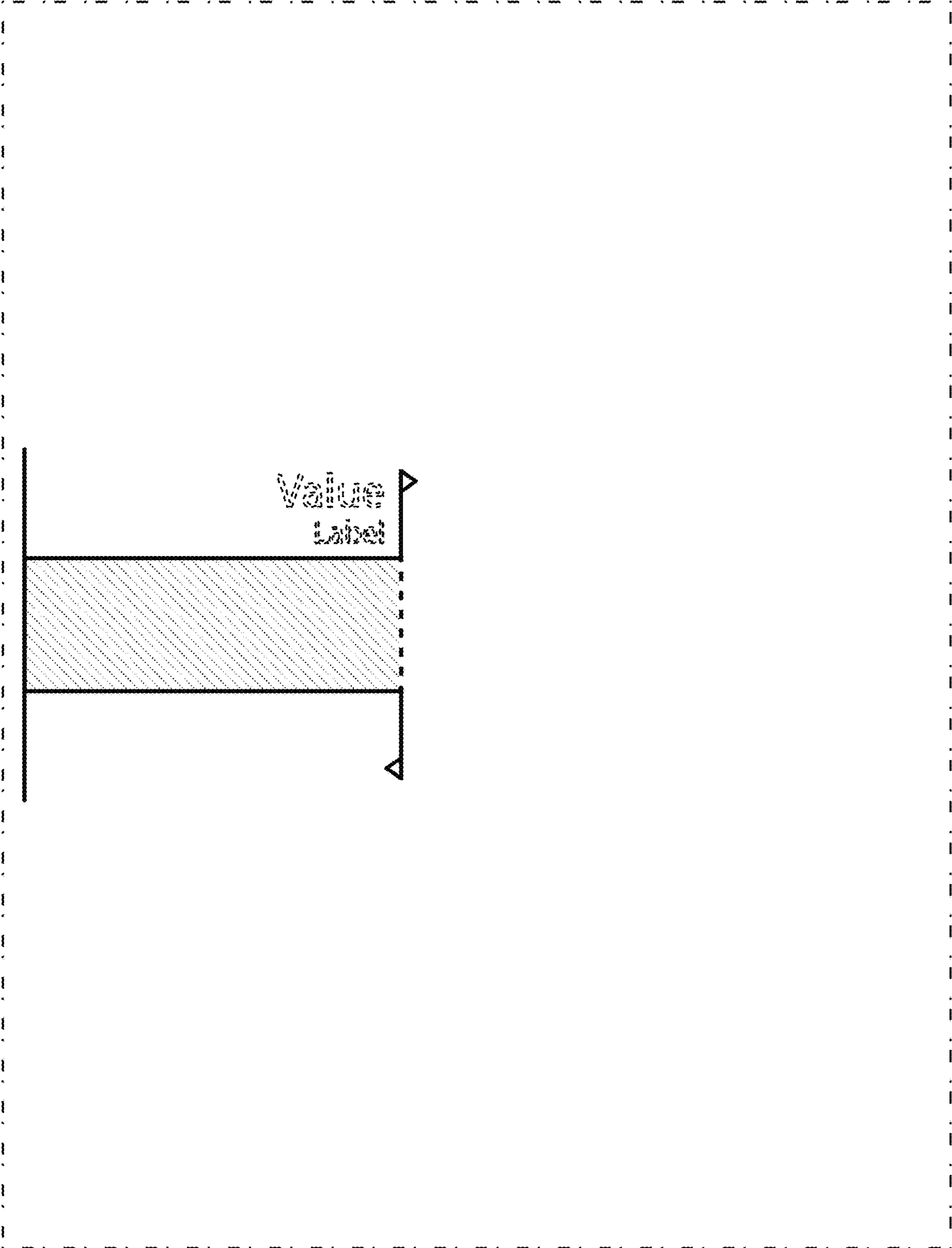


FIG. 10

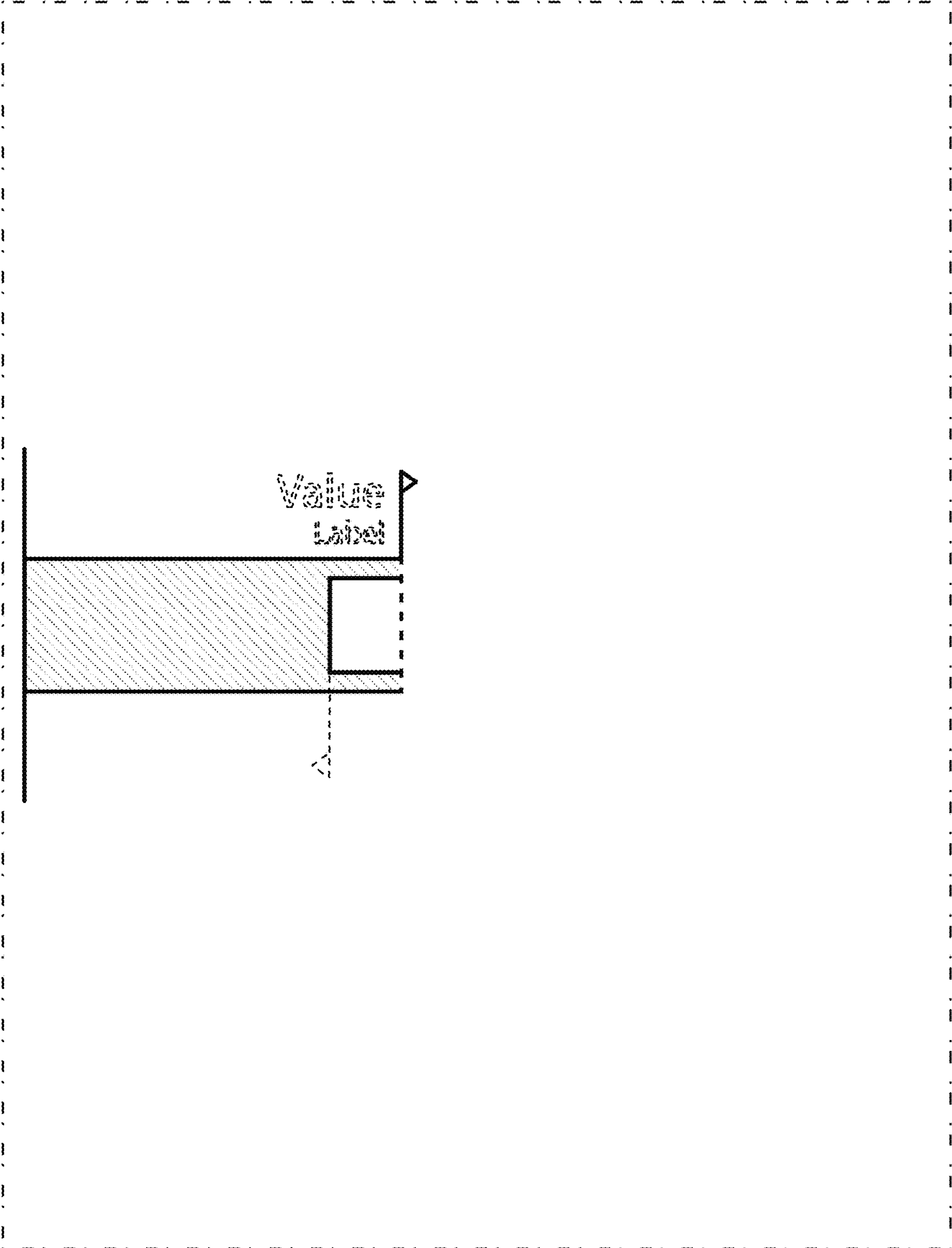


FIG. 11

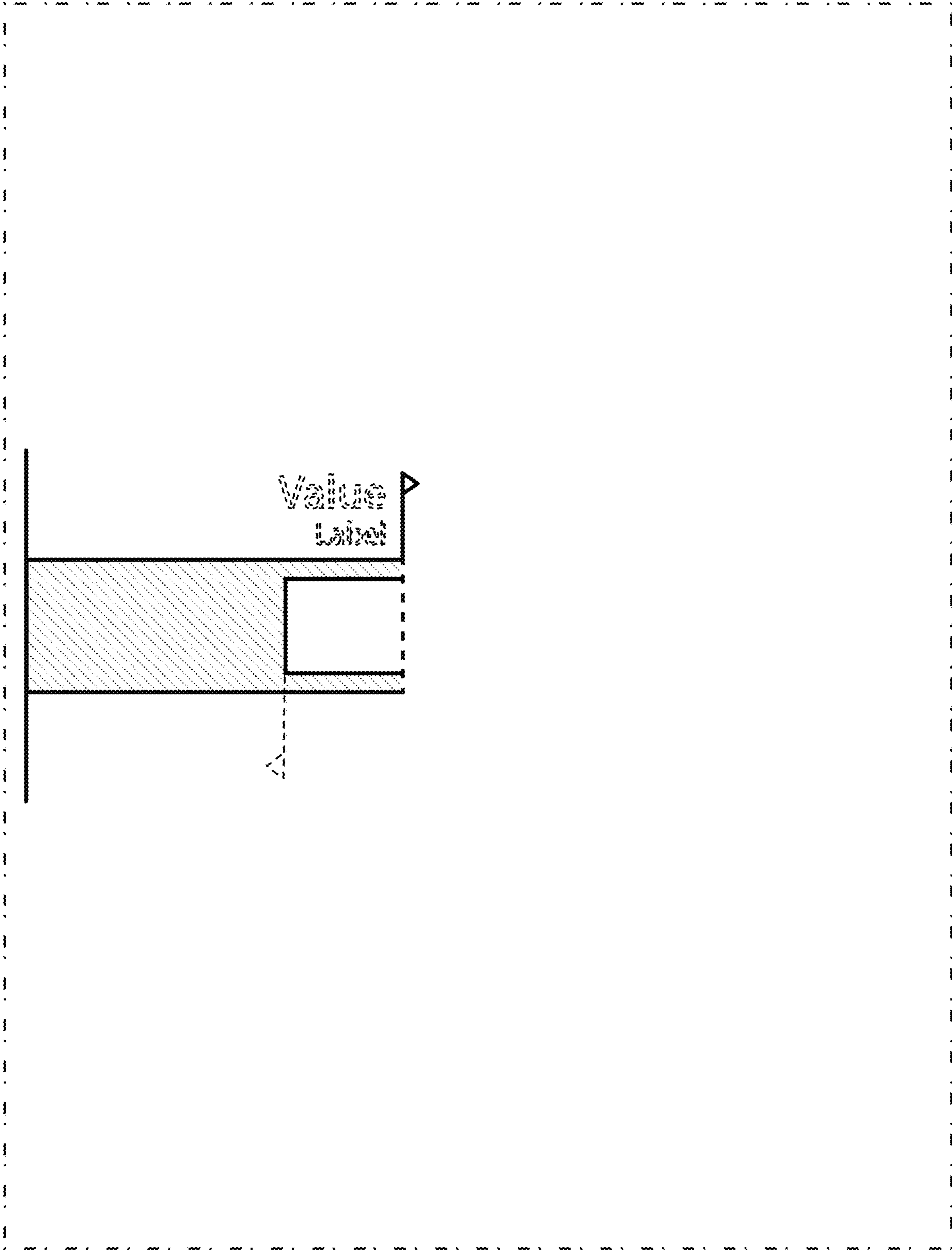


FIG. 12

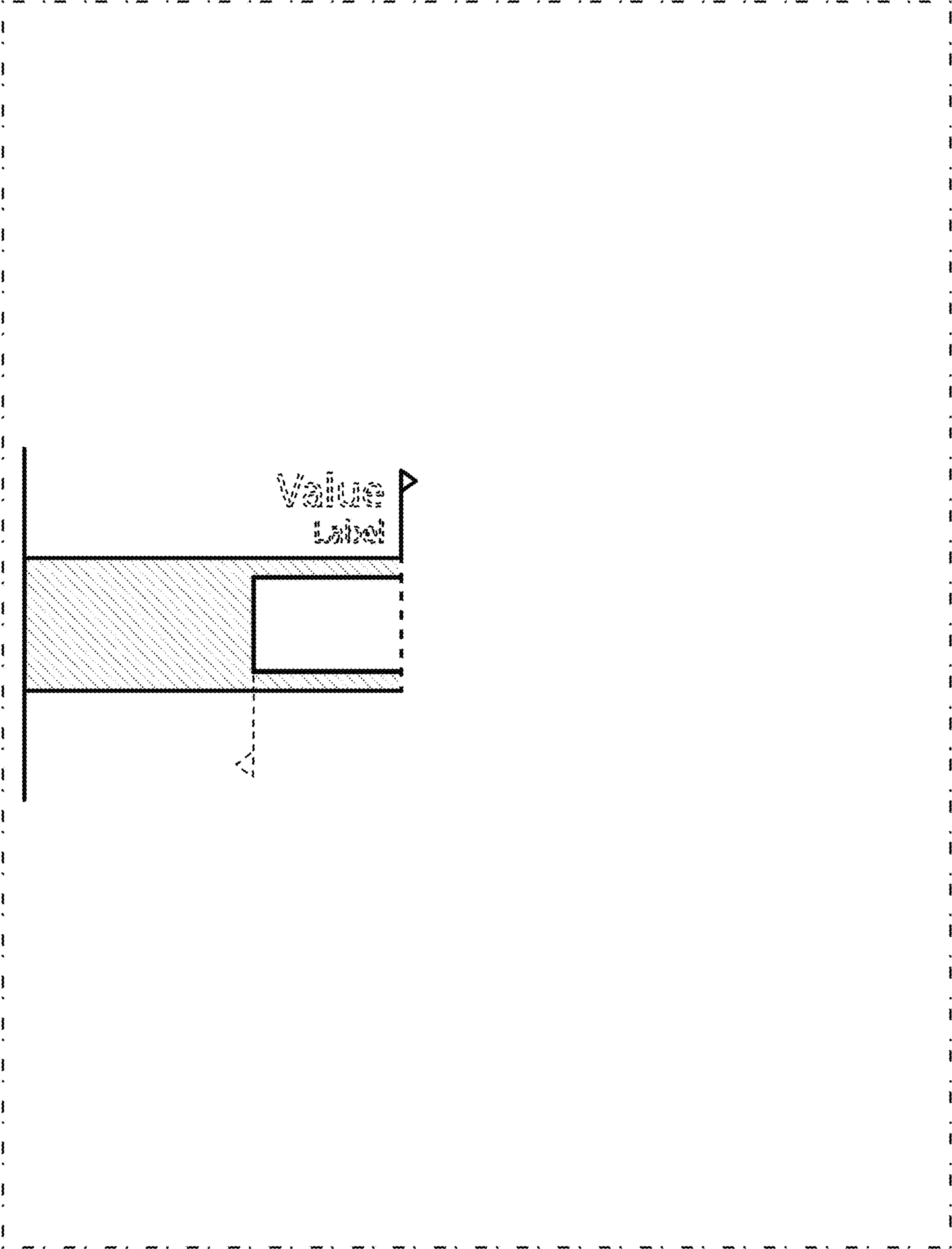


FIG. 13

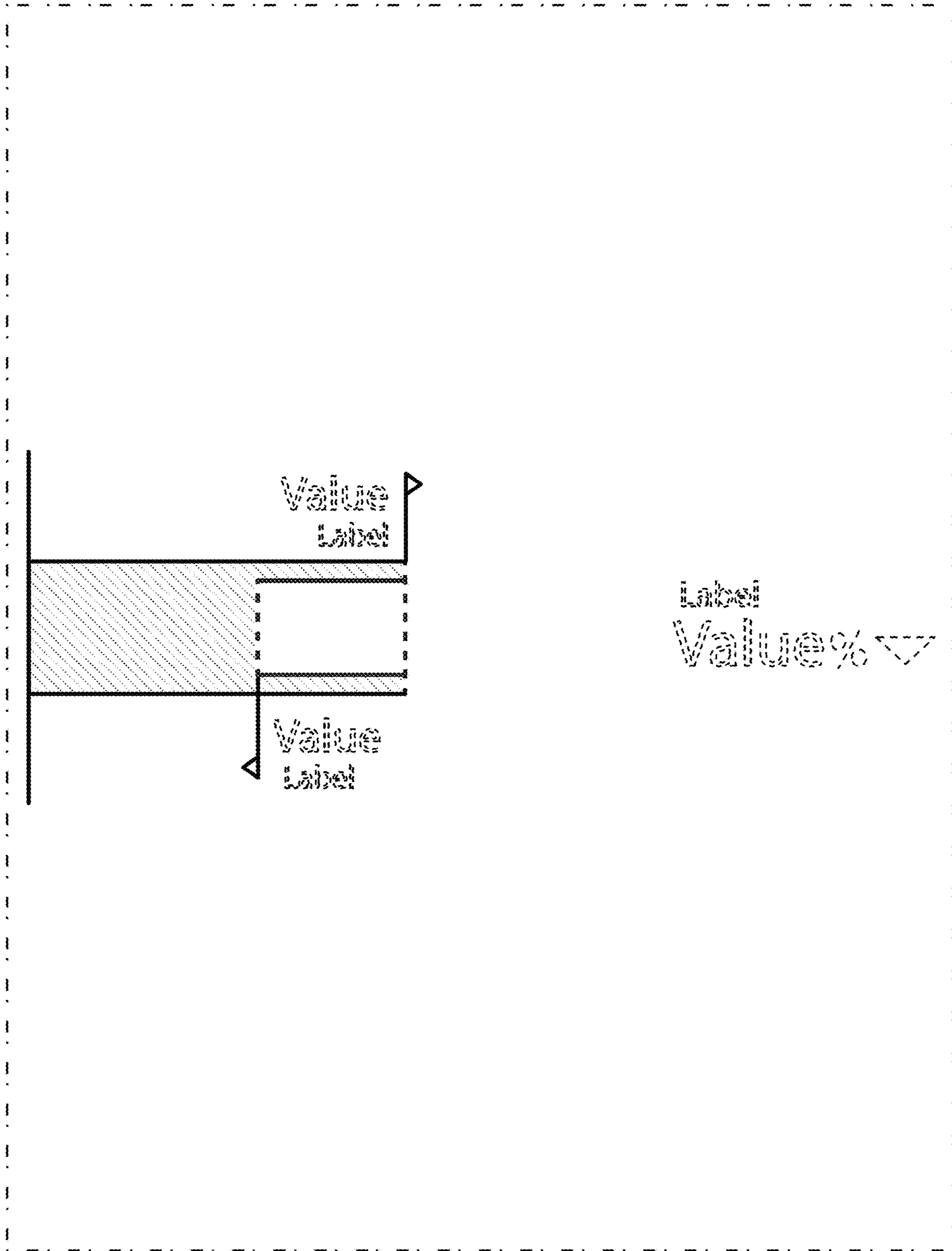


FIG. 14