



US00D922400S

(12) **United States Design Patent** (10) **Patent No.:** **US D922,400 S**
Sahu et al. (45) **Date of Patent:** **** *Jun. 15, 2021**

(54) **DISPLAY SCREEN WITH ANIMATED GRAPHICAL USER INTERFACE**

Primary Examiner — Rachel A. Voorhies
(74) *Attorney, Agent, or Firm* — Hayes Soloway P.C.

(71) Applicant: **TATA CONSULTANCY SERVICES LIMITED**, Mumbai (IN)

(57) **CLAIM**

We claim the ornamental design for a display screen with animated graphical user interface, as shown and described.

(72) Inventors: **Swetaleena Sahu**, Bengaluru (IN);
Annie Thomas, Bengaluru (IN);
Sathish Vallat, Bengaluru (IN); **Nitin Kumar**, Bengaluru (IN)

DESCRIPTION

(73) Assignee: **TATA CONSULTANCY SERVICES LIMITED**

FIG. 1 is front view of a first image in a sequence for a display screen with animated graphical user interface; FIG. 2 is a front view of a second image thereof; FIG. 3 is a front view of a third image thereof; FIG. 4 is a front view of a fourth image thereof; FIG. 5 is a front view of a fifth image thereof; FIG. 6 is a front view of a sixth image thereof; FIG. 7 is a front view of a seventh image thereof; FIG. 8 is a front view of an eighth image thereof; FIG. 9 is a front view of a ninth image thereof; FIG. 10 is a front view of a tenth image thereof; FIG. 11 is a front view of an eleventh image thereof; FIG. 12 is a front view of a twelfth image thereof; FIG. 13 is a front view of a thirteenth image thereof; FIG. 14 is a front view of a fourteenth image thereof; FIG. 15 is a front view of a fifteenth image thereof; FIG. 16 is a front view of a sixteenth image thereof; and, FIG. 17 is a front view of a seventeenth image thereof.

(*) Notice: This patent is subject to a terminal disclaimer.

(**) Term: **15 Years**

The figures are a front view of a display screen with animated graphical user interface. The dash-dot broken lines showing the display screen are included for the purpose of illustrating environmental structure and portions of the user interface that form no part of the claimed design. The dash-dash broken lines illustrate portions of the user interface for menu navigation that form no part of the claimed design.

(21) Appl. No.: **29/694,844**

(22) Filed: **Jun. 13, 2019**

(51) **LOC (13) Cl.** **14-04**

(52) **U.S. Cl.**
USPC **D14/485**

(58) **Field of Classification Search**
USPC D14/485–495

(Continued)

(56) **References Cited**

U.S. PATENT DOCUMENTS

5,937,190 A * 8/1999 Gregory G06F 30/30
717/131

6,268,853 B1 * 7/2001 Hoskins G05B 15/02
700/83

(Continued)

OTHER PUBLICATIONS

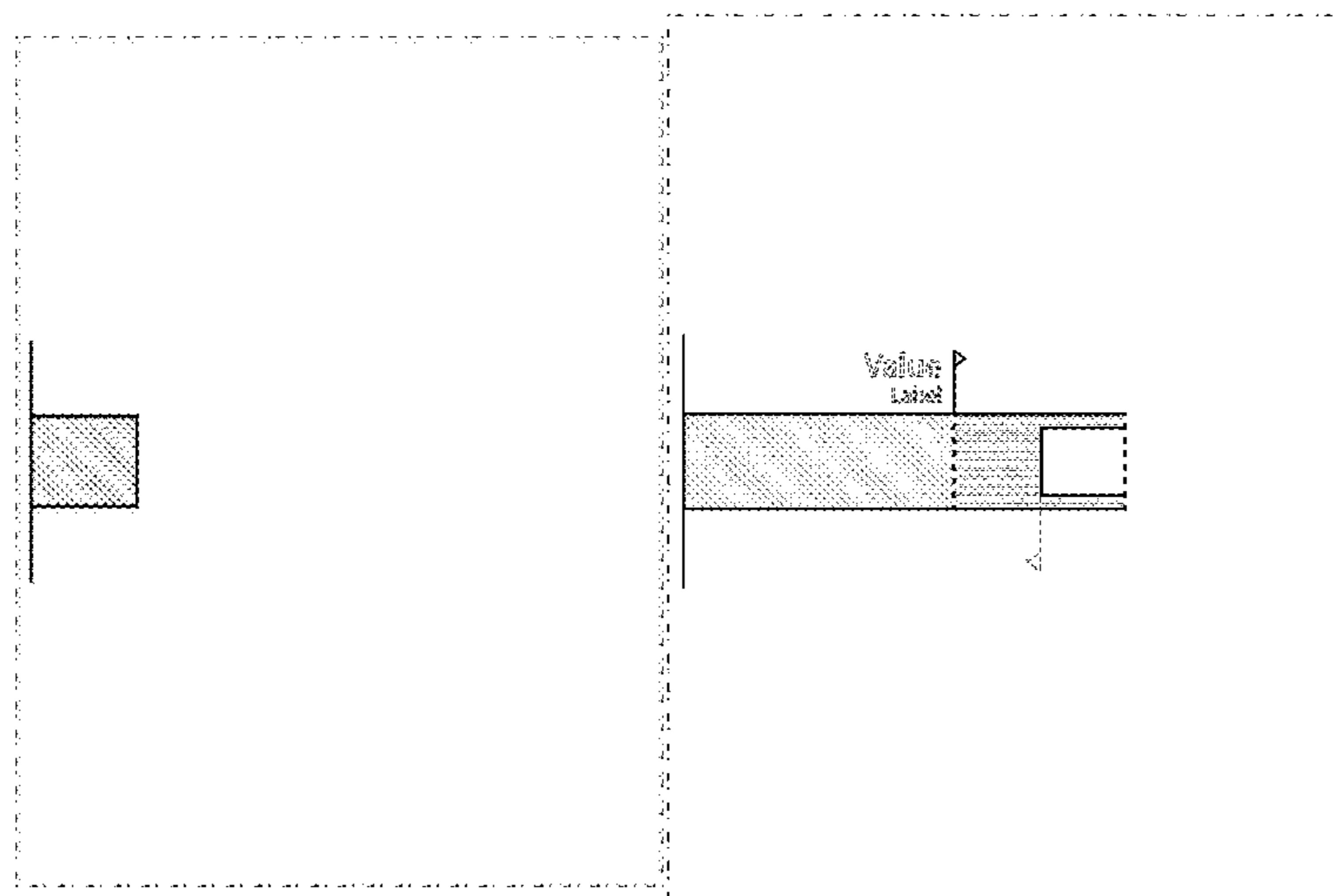
“Progress Indicators—StackedHorizontalProgressBar.” The Android Arsenal, published May 7, 2016 (Retrieved from the Internet Jan. 27, 2021). Internet URL: <<https://android-arsenal.com/details/1/3554>> (Year: 2016).*

(Continued)

The shading within the figures shows the contrasting surfaces, which form part of the claimed design.

The appearance of the image transitions sequentially between the images shown in FIGS. 1-17. The process or period in which an image transitions to another forms no part of the claimed design.

1 Claim, 17 Drawing Sheets



(58) **Field of Classification Search**
 CPC G06F 3/048; H04M 1/72519–72561
 See application file for complete search history.

(56) **References Cited**

U.S. PATENT DOCUMENTS

D544,495 S * 6/2007 Evans D14/488
 D555,664 S * 11/2007 Nagata D14/488
 D564,535 S * 3/2008 Sadler D14/487
 D595,301 S * 6/2009 Akimoto D14/485
 D595,726 S * 7/2009 Akimoto D14/485
 D607,463 S * 1/2010 Krieter D14/485
 D638,852 S * 5/2011 Skidmore D14/488
 D671,952 S * 12/2012 Goldstein D14/485
 D675,634 S * 2/2013 Goldstein D14/485
 D687,047 S * 7/2013 Hales, IV D14/485
 D752,086 S * 3/2016 Sang-Hyun D14/488
 D755,207 S * 5/2016 Moon D14/485
 D768,178 S * 10/2016 Valade D14/486
 D770,497 S * 11/2016 Gupta D14/486
 D773,487 S * 12/2016 Colley D14/485
 D815,112 S * 4/2018 Okazaki D14/485
 D816,702 S * 5/2018 Jeong D14/486
 D834,046 S * 11/2018 Matsumura D14/486
 D871,419 S * 12/2019 Hu D14/485
 D882,604 S * 4/2020 Kuklinski D14/486
 D883,314 S * 5/2020 Goodman D14/486
 D884,021 S * 5/2020 Klein D14/488
 D888,070 S * 6/2020 Yusupov D14/485
 D889,483 S * 7/2020 Amini D14/485
 D889,484 S * 7/2020 Amini D14/485
 D890,790 S * 7/2020 Marks D14/486
 D896,819 S * 9/2020 Joseph D14/485
 D896,826 S * 9/2020 Abel D14/486
 D897,353 S * 9/2020 Hall D14/485
 D897,360 S * 9/2020 Jang D14/486
 D900,834 S * 11/2020 Yamazaki G05B 15/02
 D14/485
 D900,859 S * 11/2020 Satterlie G06F 3/04847
 D14/487
 D905,747 S * 12/2020 Imaishi G06F 30/30
 D14/491
 2001/0024195 A1* 9/2001 Hayakawa G06F 3/04847
 345/173

2003/0095135 A1* 5/2003 Kaasila G06T 11/203
 345/613
 2010/0100899 A1* 4/2010 Bradbury H04L 65/4092
 725/29
 2011/0249149 A1* 10/2011 Ishida H04N 5/23293
 348/239
 2013/0033477 A1* 2/2013 Sirpal G06F 3/04883
 345/211
 2013/0123973 A1* 5/2013 Saranow G07F 13/06
 700/233
 2014/0223462 A1* 8/2014 Aimone A61B 5/369
 725/10
 2014/0304606 A1* 10/2014 Ohmura G06F 3/167
 715/728
 2014/0316581 A1* 10/2014 Fadell F24F 11/30
 700/276
 2014/0331153 A1* 11/2014 Park G06F 3/0482
 715/763
 2015/0011970 A1* 1/2015 Kamen A61M 5/14244
 604/504
 2015/0067811 A1* 3/2015 Agnew H04L 67/06
 726/9
 2015/0112264 A1* 4/2015 Kamen G16H 40/67
 604/151
 2017/0201850 A1* 7/2017 Raleigh G06F 3/0482
 2017/0311903 A1* 11/2017 Davis A61B 5/165
 2018/0007431 A1* 1/2018 Sidhu H04N 21/4394
 2018/0015284 A1* 1/2018 Coleman A61N 1/0452
 2018/0101466 A1* 4/2018 O'Dowd G06F 11/3664
 2018/0225616 A1* 8/2018 Jones G06N 5/045
 2018/0268792 A1* 9/2018 Serletic H04N 5/76
 2018/0335921 A1* 11/2018 Karunamuni G06F 3/0488
 2018/0335939 A1* 11/2018 Karunamuni G06F 8/38
 2019/0369699 A1* 12/2019 Pathak G06F 11/3409

OTHER PUBLICATIONS

Hiner, Jason. "CES 2019: Atmos launches touch panel to unify control of smart home." CNET, published Jan. 10, 2019 (Retrieved from the Internet Jan. 29, 2021). Internet URL: <<https://www.cnet.com/news/ces-2019-atmos-launches-touch-panel-to-unify-control-of-the-smart-home/>> (Year: 2019).*

* cited by examiner

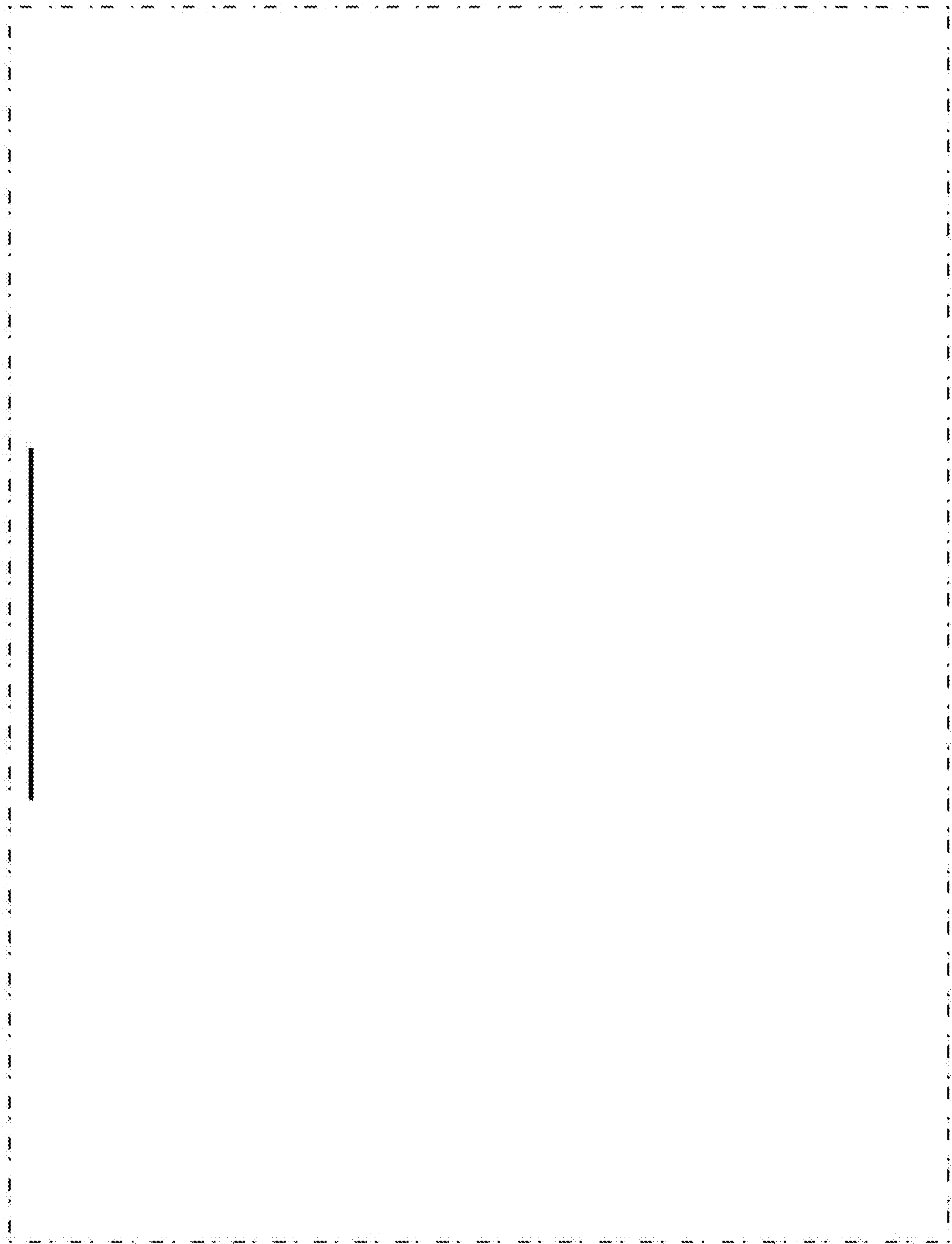


FIG. 1

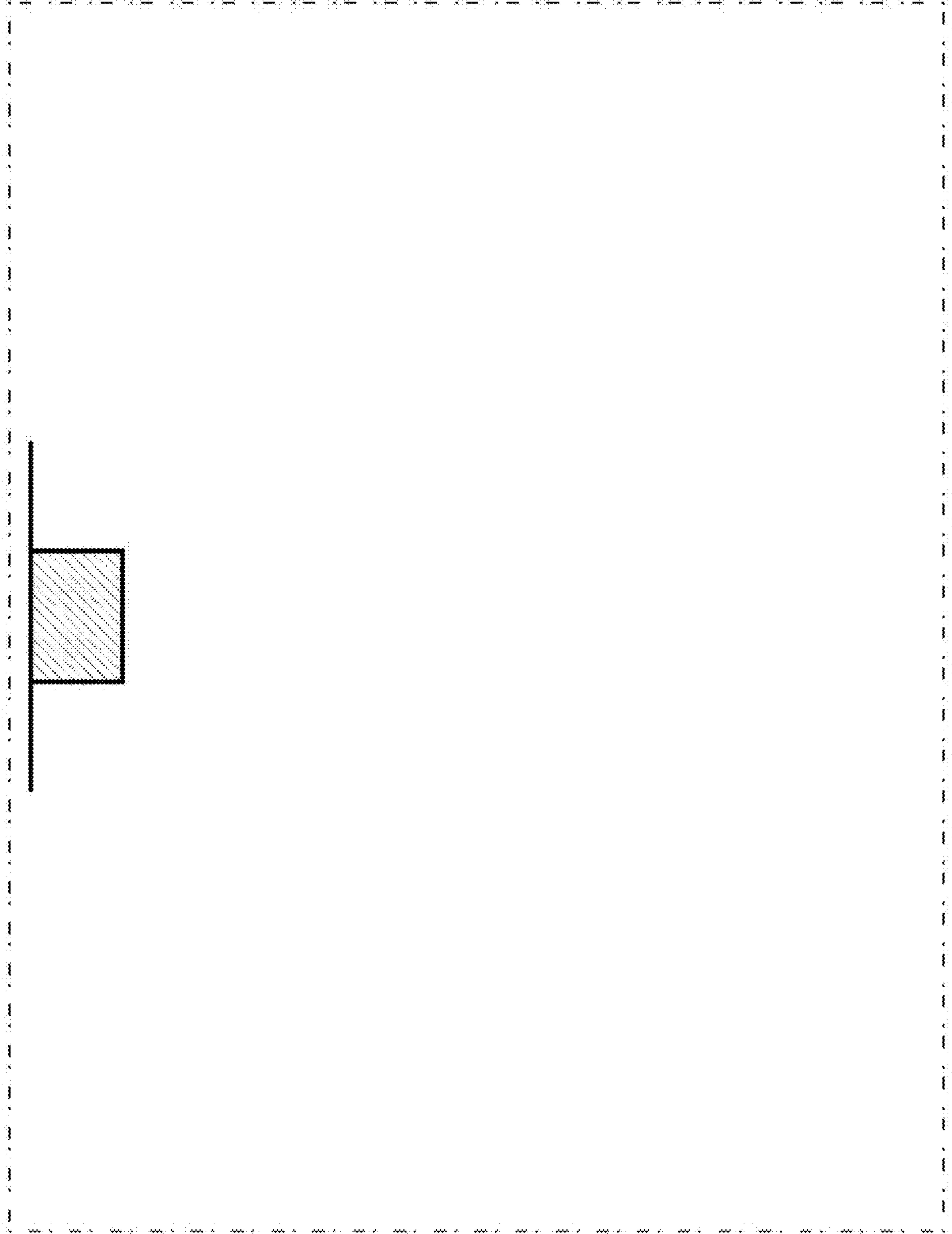


FIG. 2

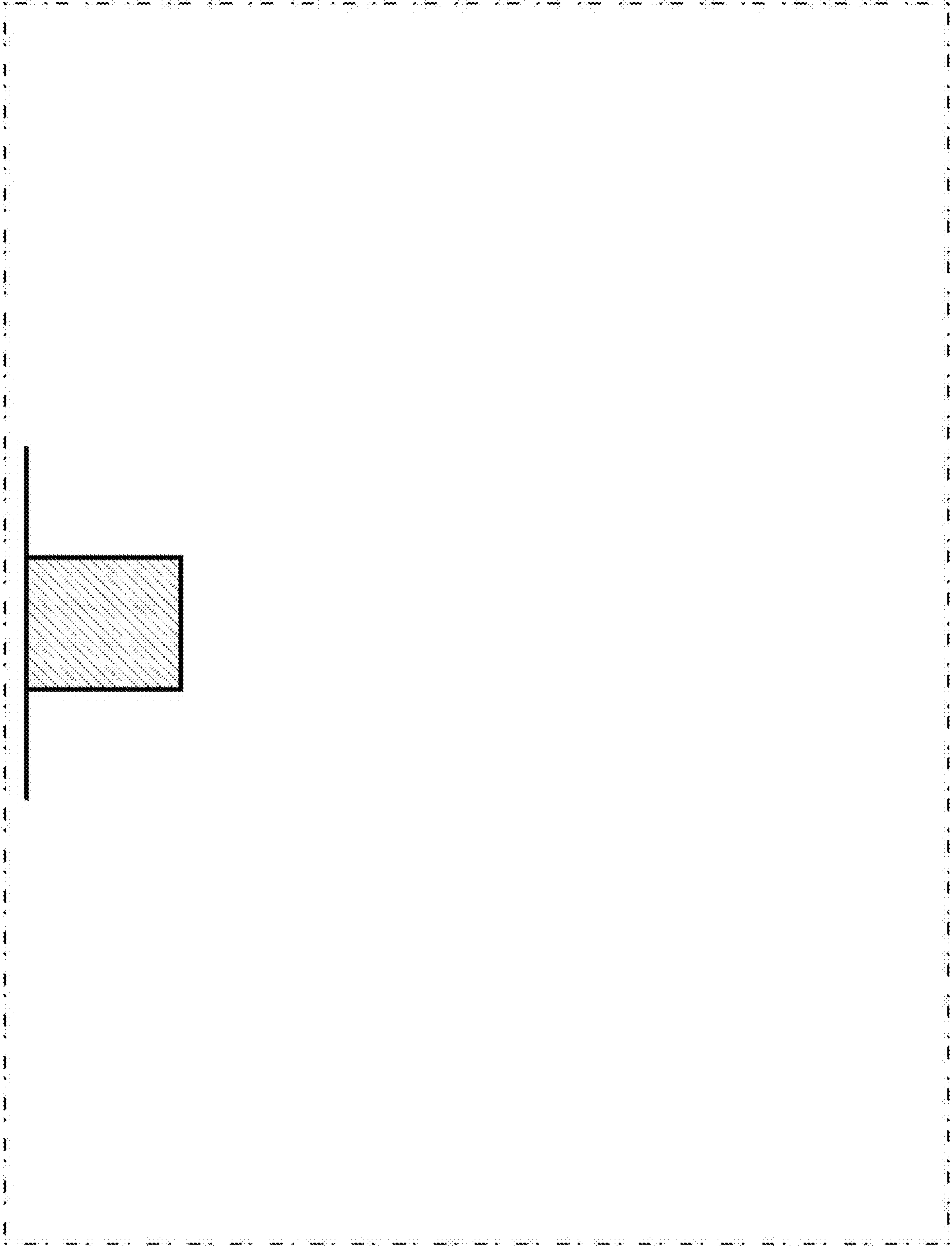


FIG. 3

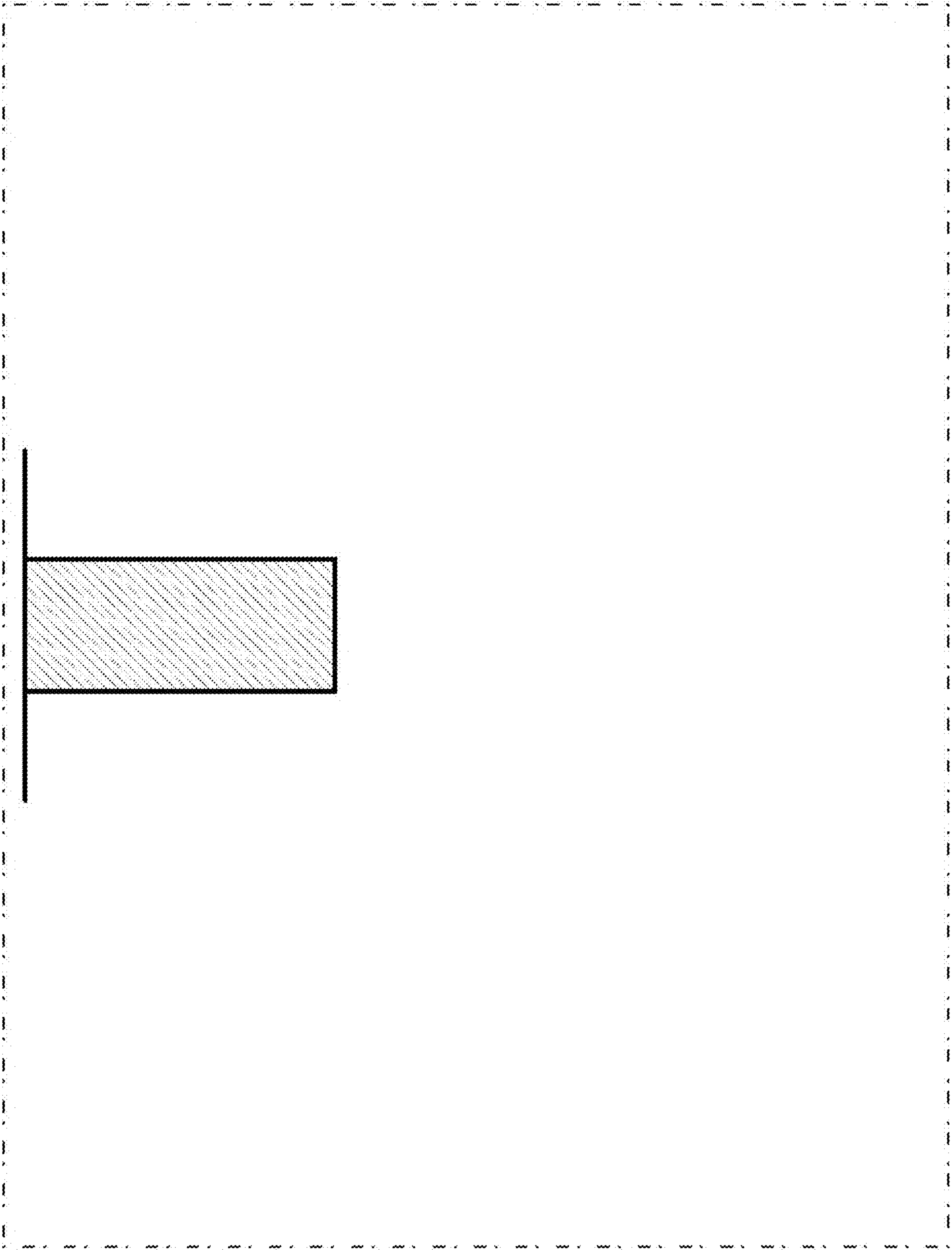


FIG. 4

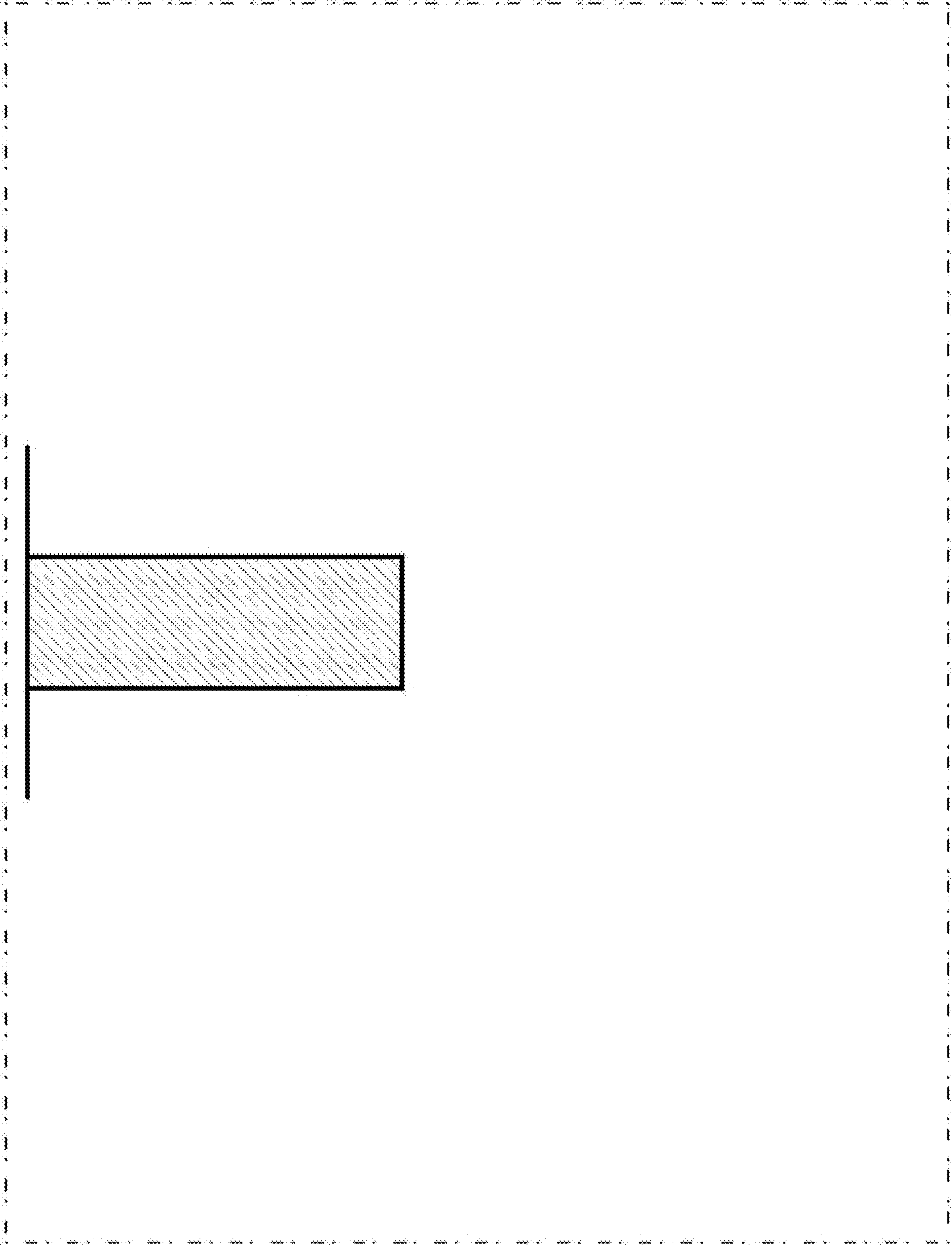


FIG. 5

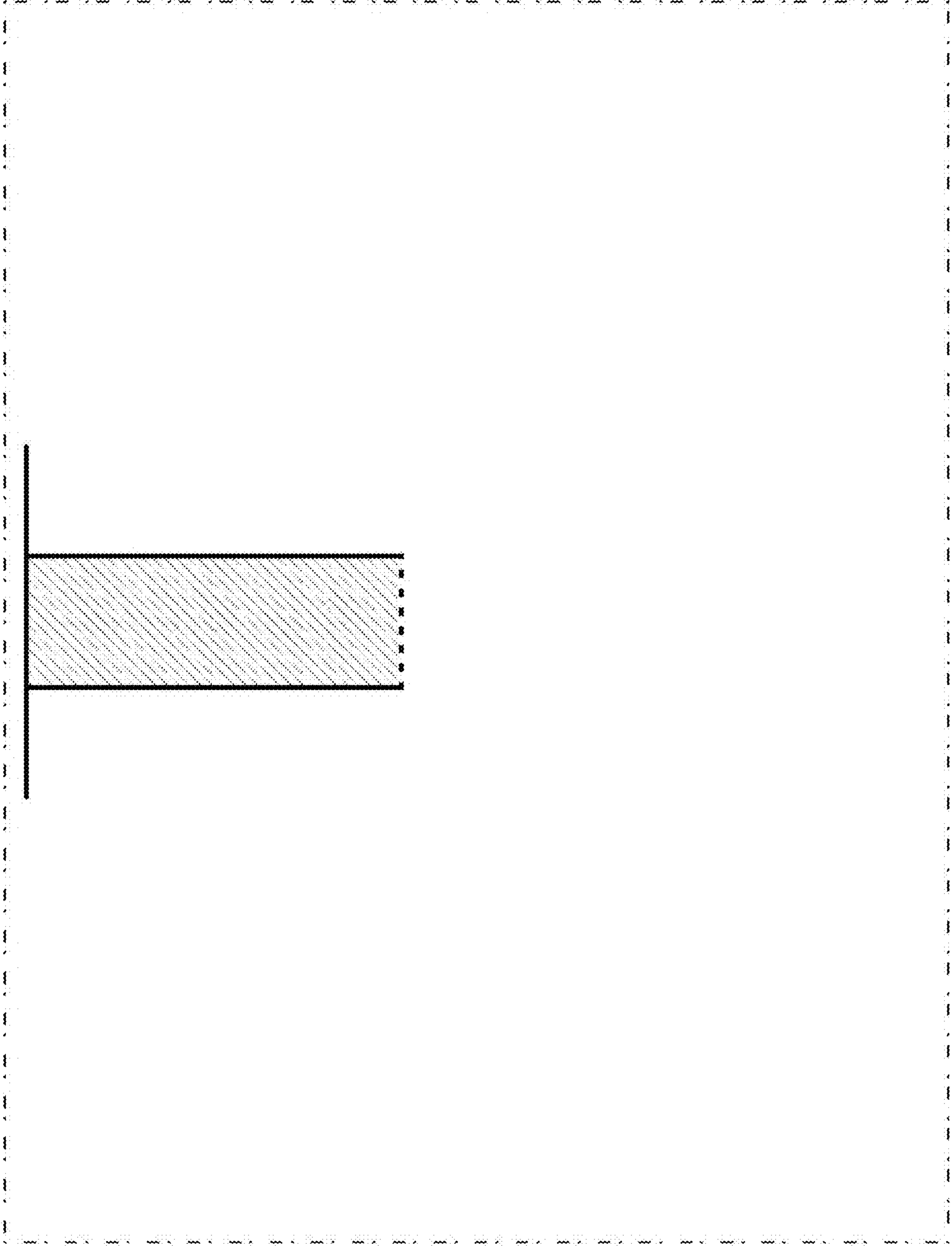


FIG. 6

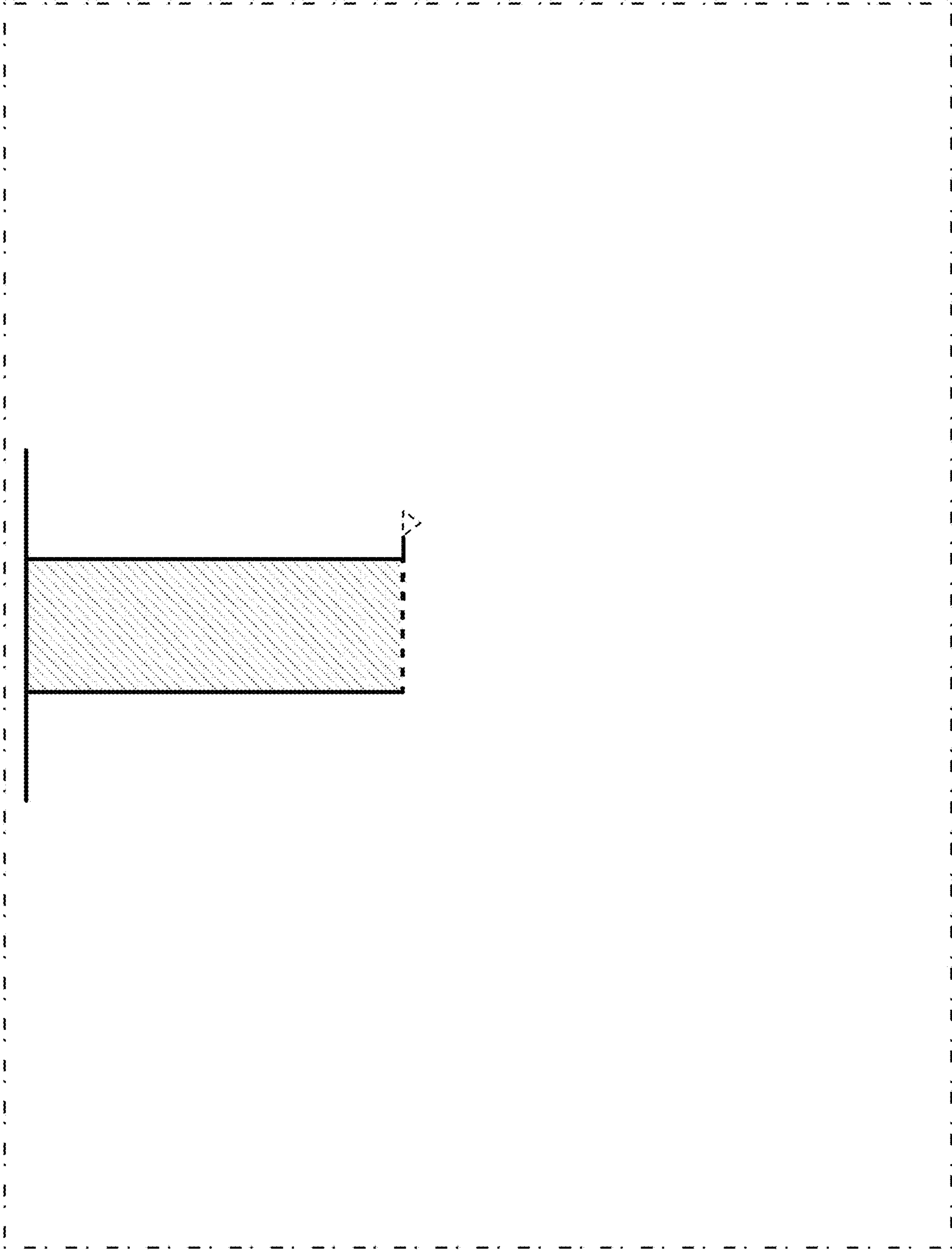


FIG. 7

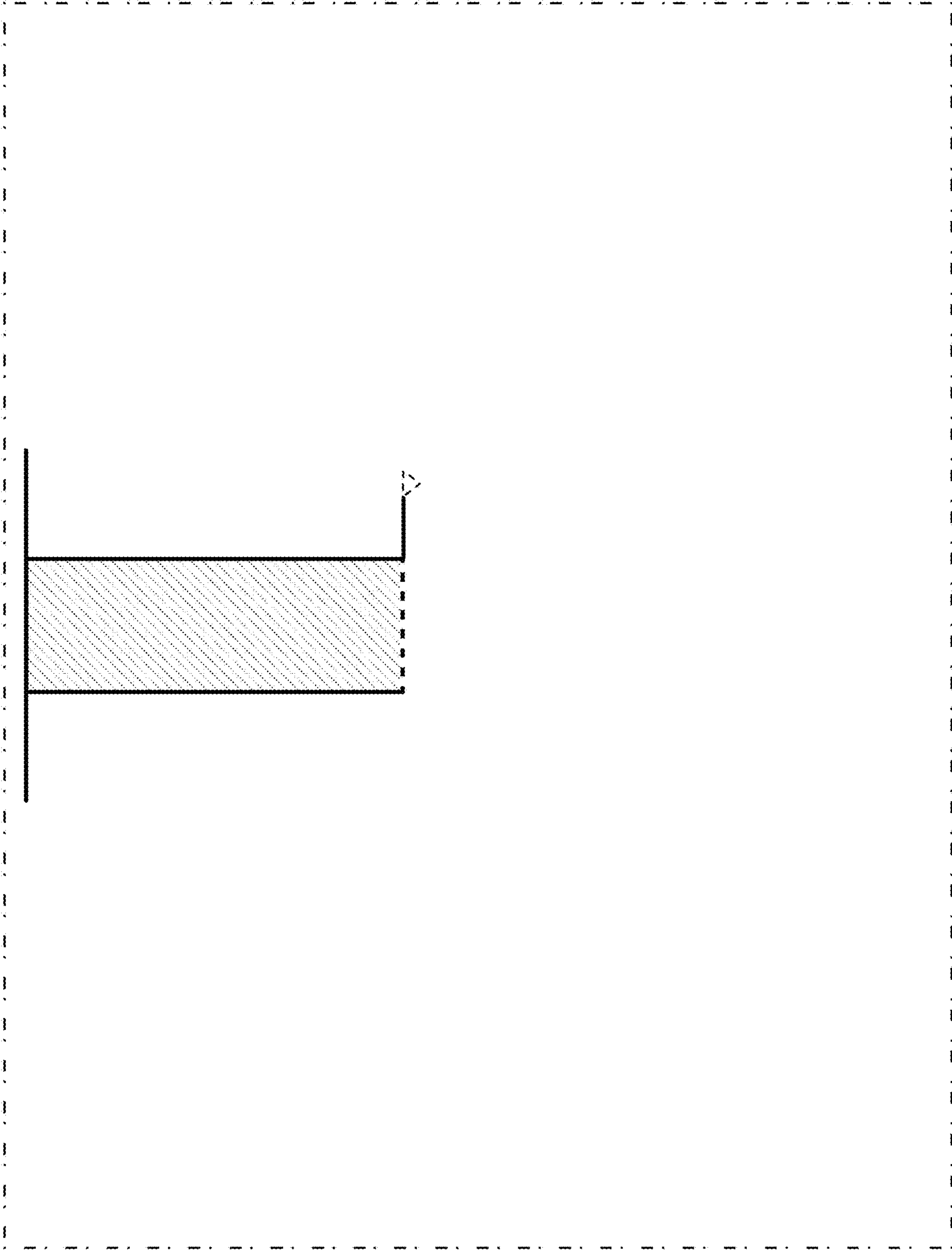


FIG. 8

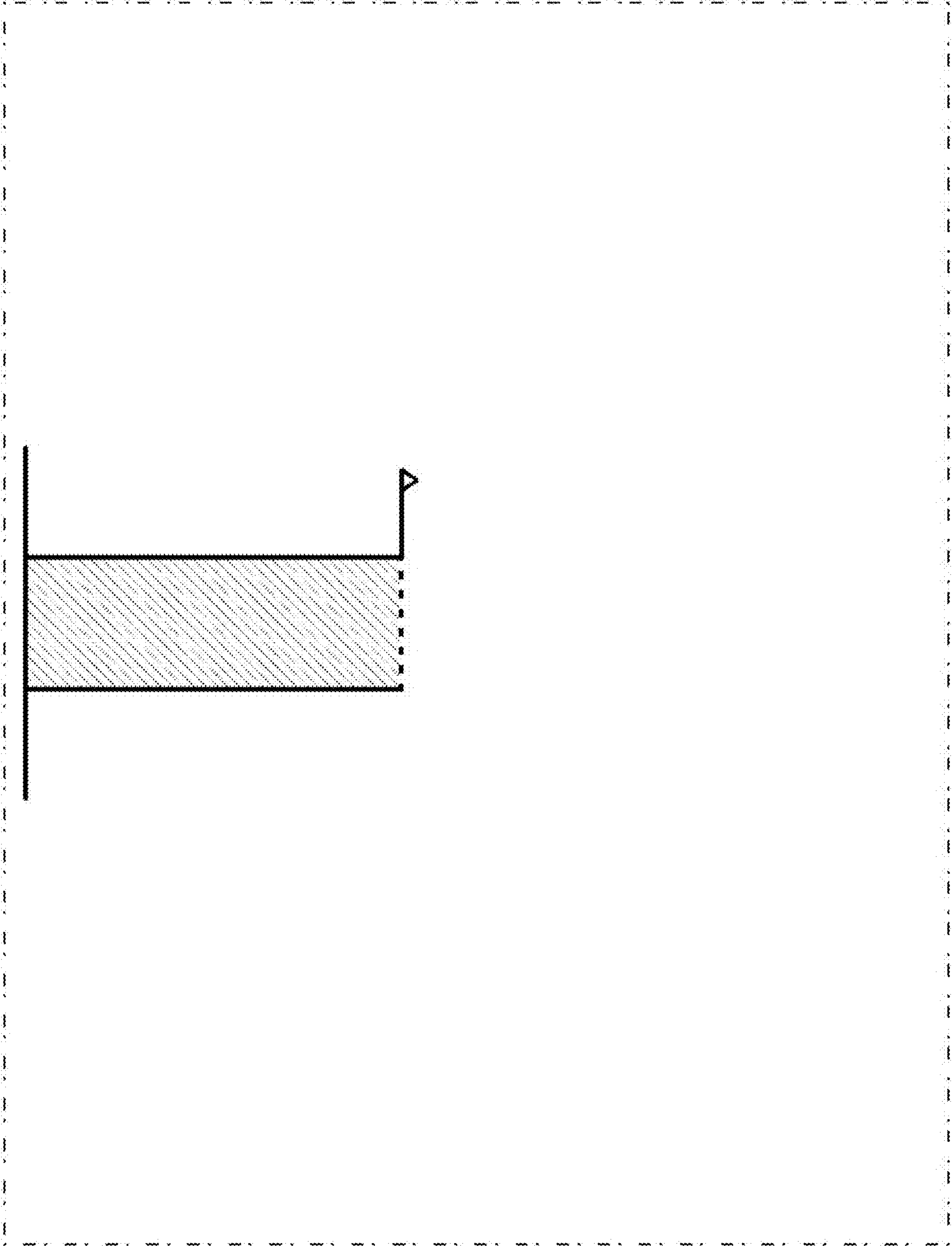


FIG. 9

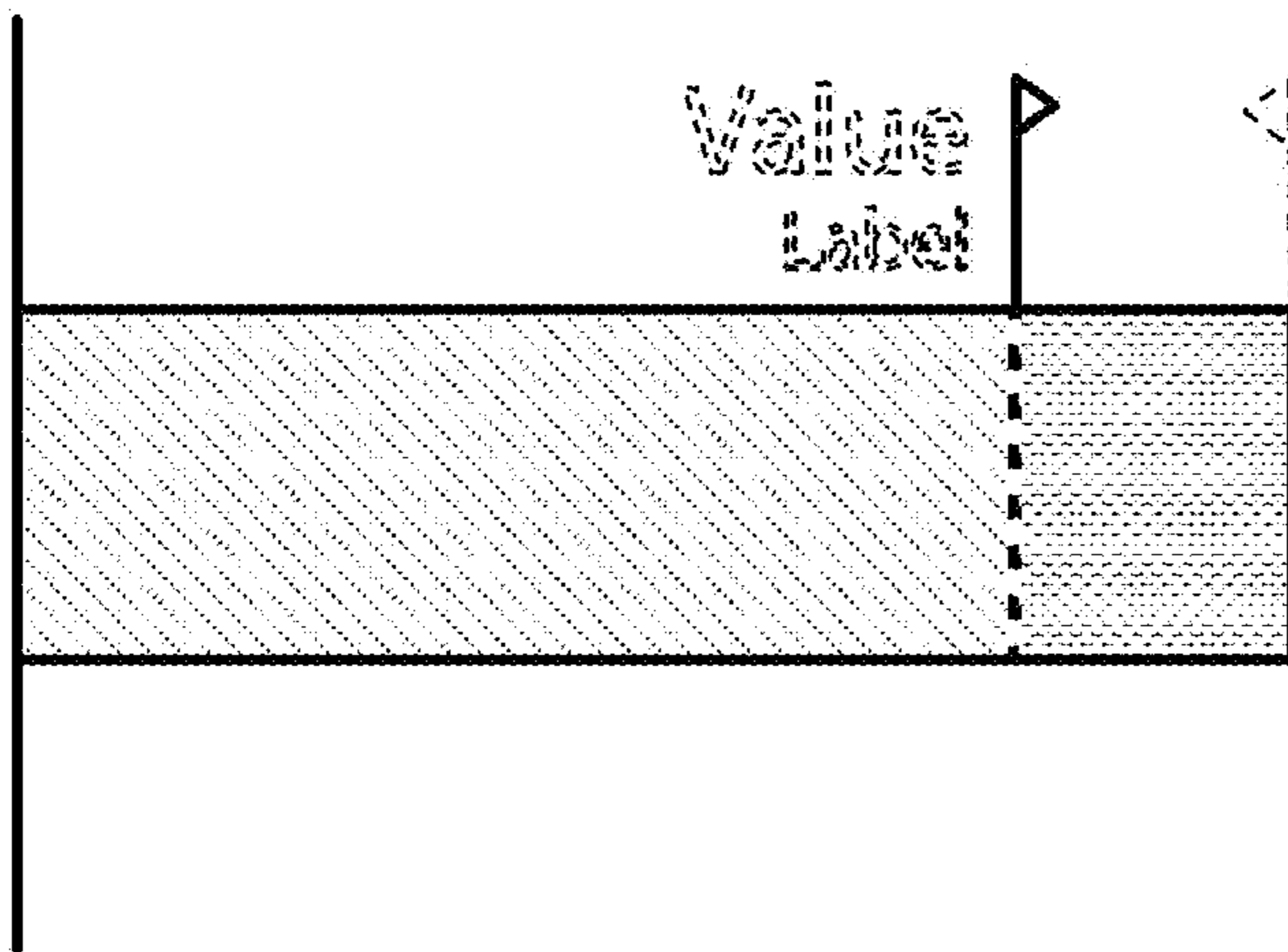


FIG. 10

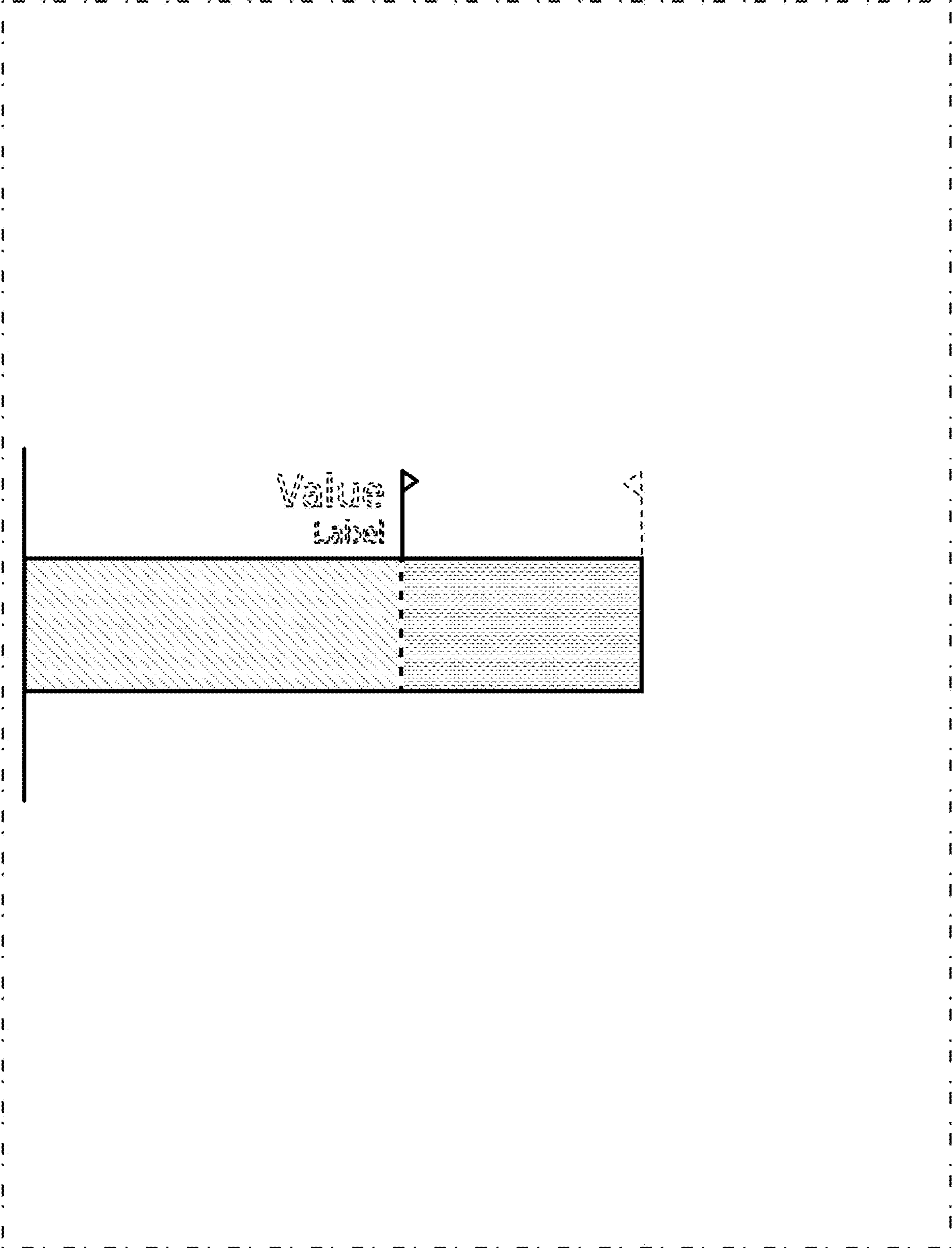


FIG. 11

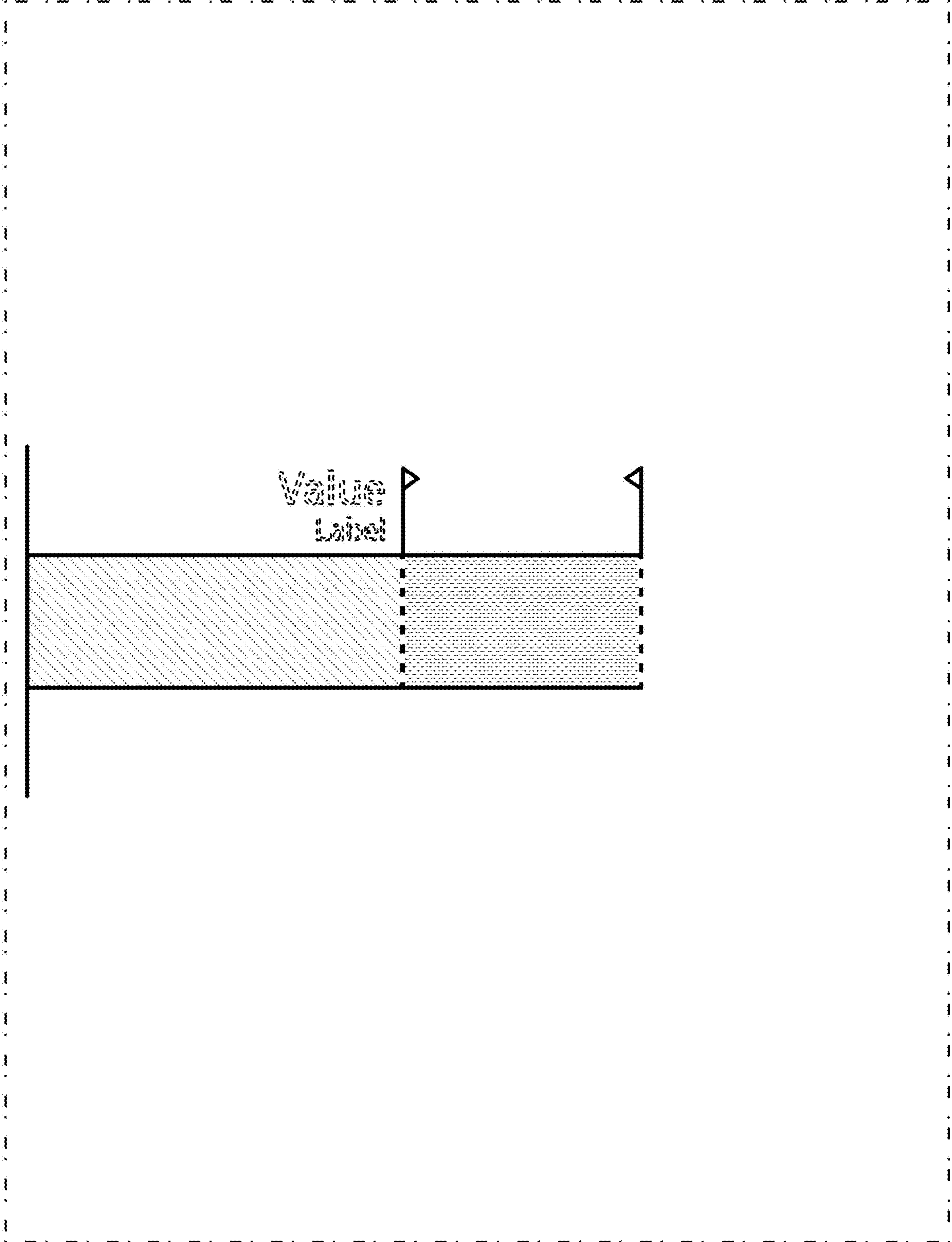


FIG. 12

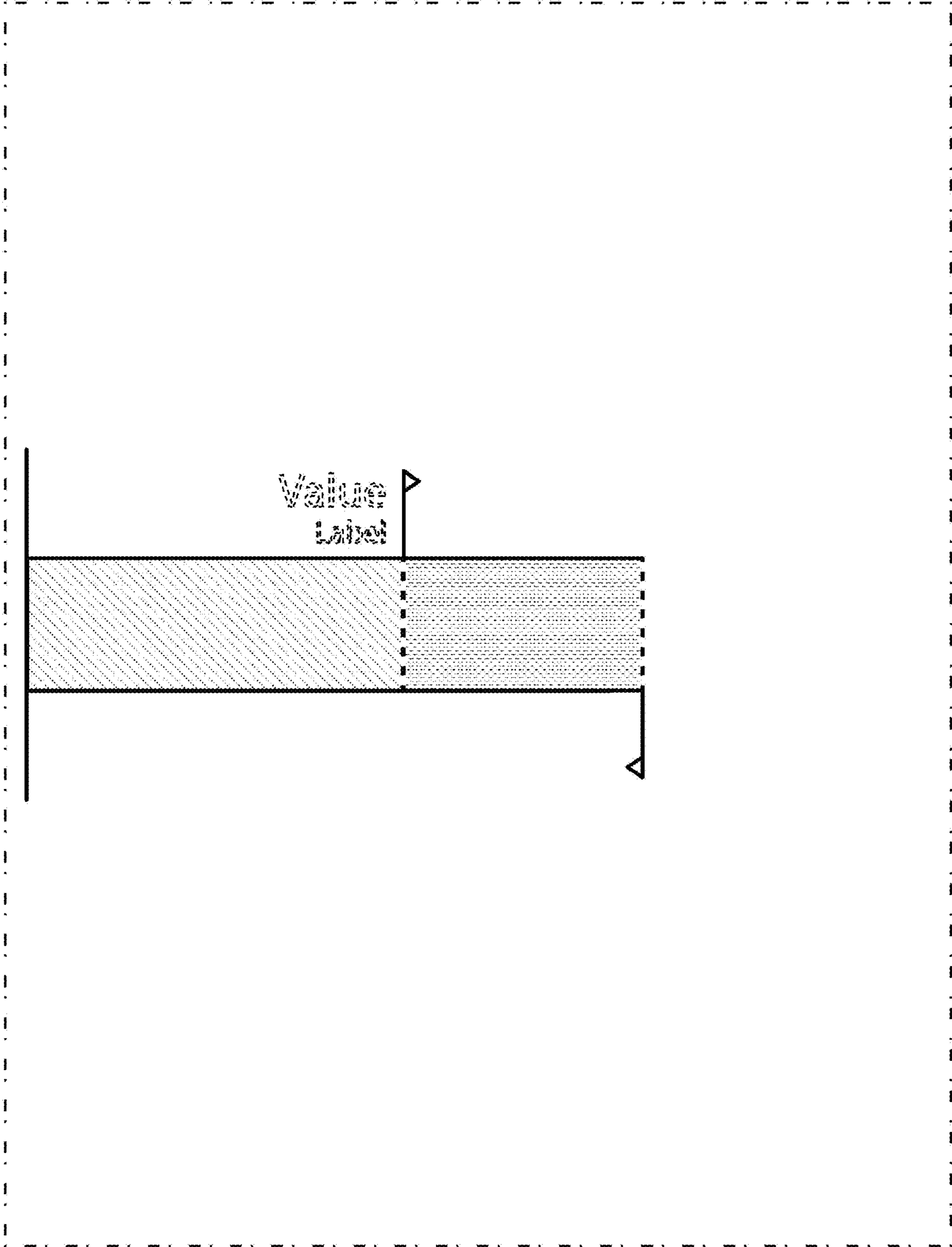


FIG. 13

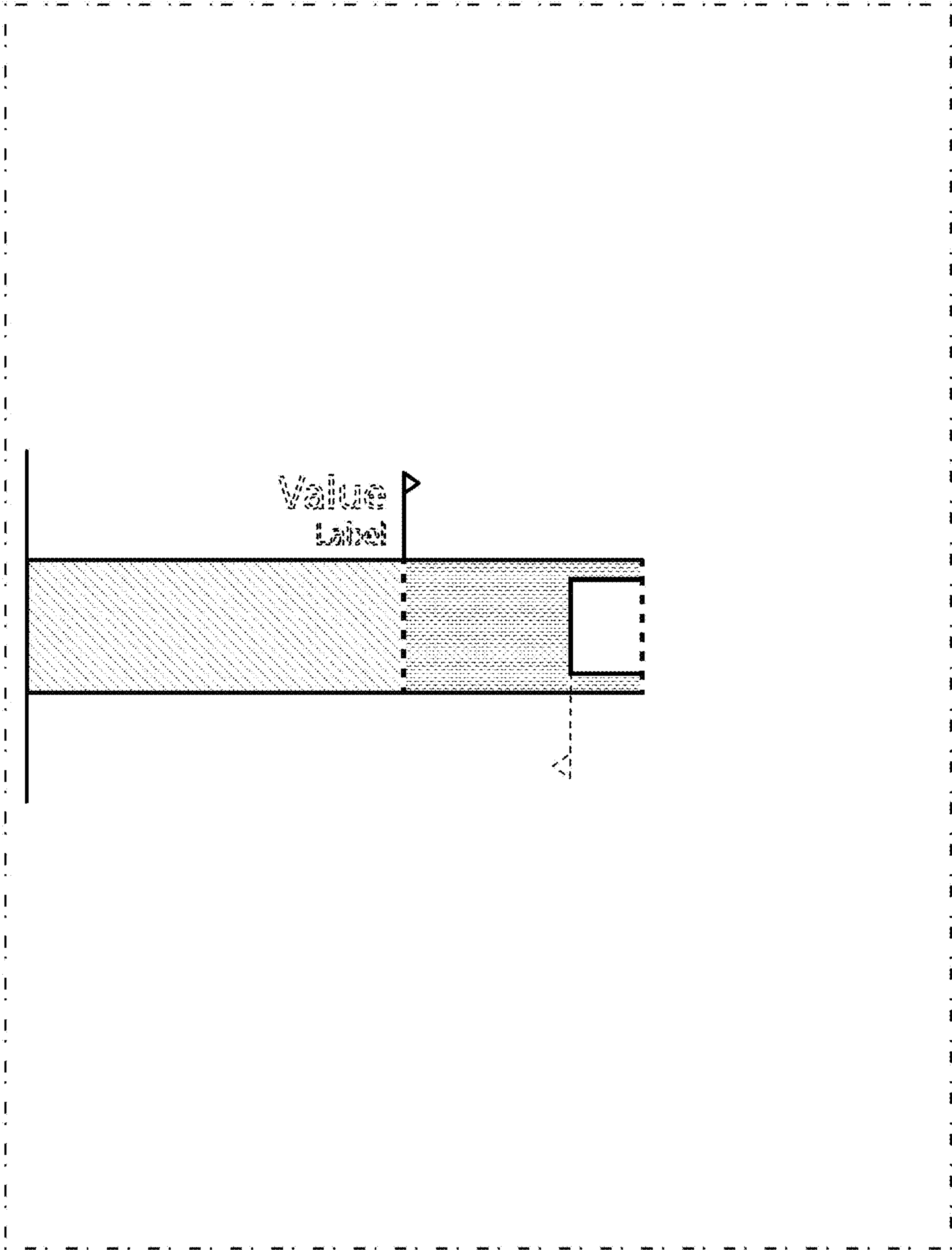


FIG. 14

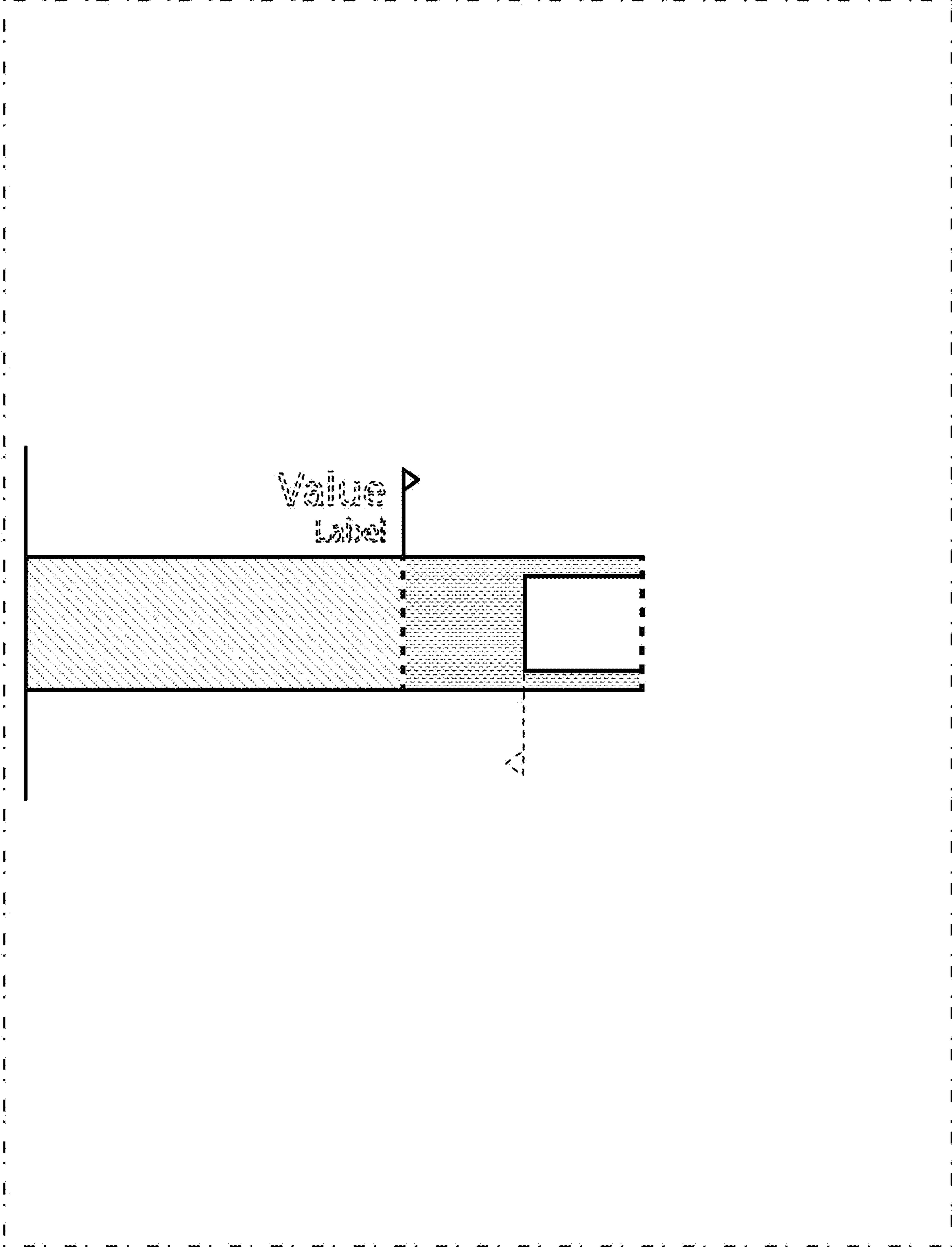


FIG. 15

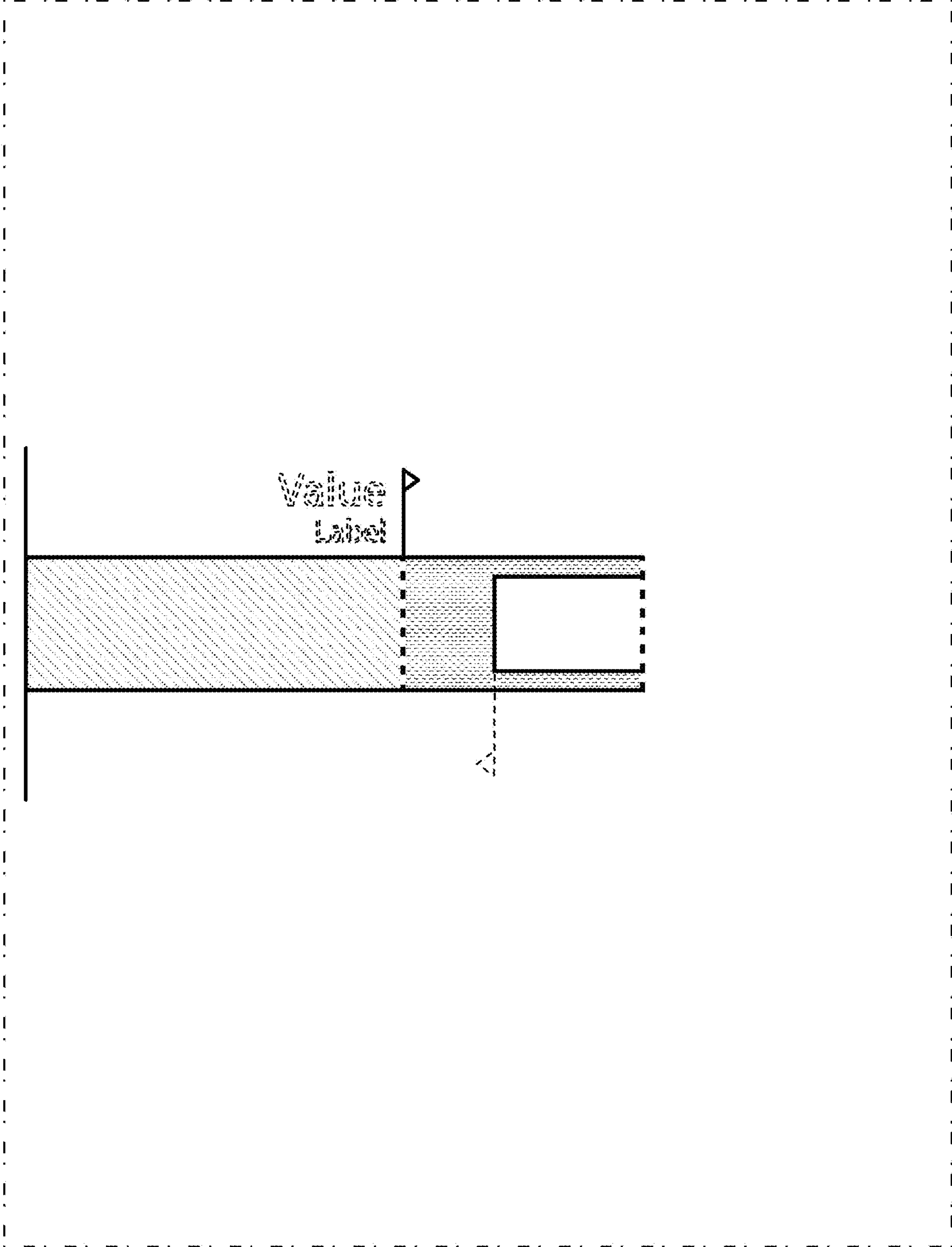


FIG. 16

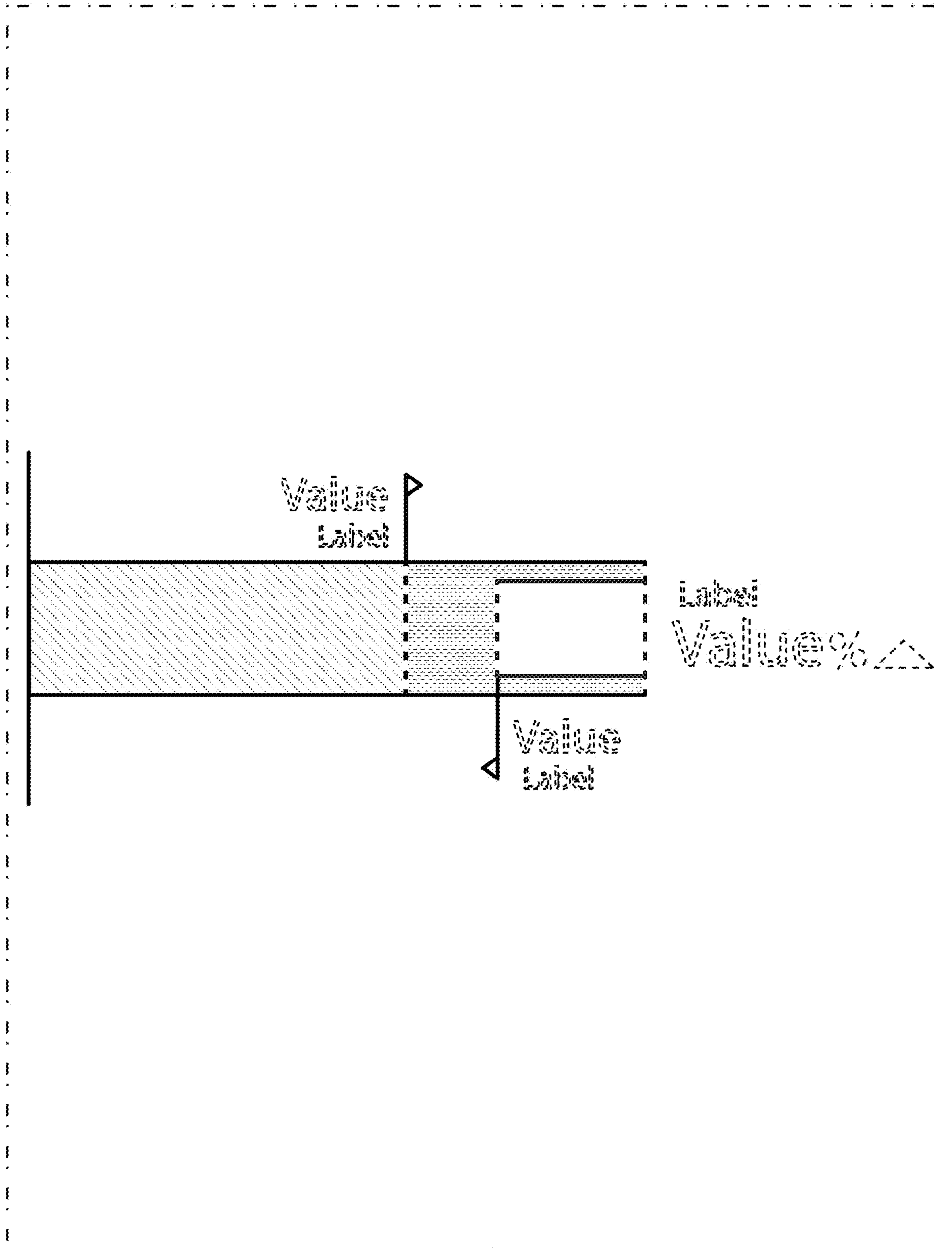


FIG. 17