



US00D922395S

(12) **United States Design Patent** (10) **Patent No.:** **US D922,395 S**  
**Shu** (45) **Date of Patent:** **\*\* Jun. 15, 2021**

(54) **DISPLAY MOUNT**

(71) Applicant: **Shenzhen Prime Technology Co., Ltd,**  
Shenzhen (CN)

(72) Inventor: **Hua Shu,** Shenzhen (CN)

(\*\*) Term: **15 Years**

(21) Appl. No.: **29/751,727**

(22) Filed: **Sep. 23, 2020**

(51) **LOC (13) Cl.** ..... **14-02**

(52) **U.S. Cl.**  
USPC ..... **D14/452**

(58) **Field of Classification Search**  
USPC ..... D14/239, 371, 372, 373, 374, 447-452,  
D14/125, 127, 128, 129, 335-337, 375,  
D14/376, 377, 341, 126; D8/355, 363,  
D8/373; D6/672, 682

CPC ..... F16M 11/2085; F16M 11/2092; F16M  
11/2007; F16M 11/2014; F16M 11/2021;  
F16M 11/105; F16M 11/10; F16M  
11/048; F16M 11/12; F16M 13/022  
See application file for complete search history.

(56) **References Cited**

**U.S. PATENT DOCUMENTS**

D538,632 S	3/2007	Ly Hau et al.	
D539,127 S	3/2007	Ly Hau et al.	
7,369,401 B1 *	5/2008	Floersch	F16M 11/08 292/301
D632,301 S *	2/2011	Kasuga	D14/452
8,602,366 B2 *	12/2013	Chen	F16M 11/046 248/125.7
8,602,367 B2 *	12/2013	Wang	F16M 13/02 248/125.7
D872,067 S *	1/2020	Knapp	D14/239
D872,719 S *	1/2020	Knapp	D14/239
D877,745 S *	3/2020	Knapp	D14/452
D894,197 S *	8/2020	Knapp	D14/452
10,753,531 B2 *	8/2020	Huang	F16M 11/16

D895,632 S *	9/2020	Knapp	D14/452
10,760,727 B2 *	9/2020	Huang	F16M 11/045
D901,514 S *	11/2020	Knapp	D14/452
2012/0056050 A1 *	3/2012	Huang	F16M 11/2064 248/124.1

**FOREIGN PATENT DOCUMENTS**

CN 304689671 \* 6/2018

**OTHER PUBLICATIONS**

Amazon. Link: [https://www.amazon.com/dp/B081H8WMXT/ref=cm\\_sw\\_em\\_r\\_mt\\_dp\\_Uy14FbRZAX4ZK?\\_encoding=UTF8&psc=1](https://www.amazon.com/dp/B081H8WMXT/ref=cm_sw_em_r_mt_dp_Uy14FbRZAX4ZK?_encoding=UTF8&psc=1). Apr. 27, 2020. HUANUO Dual Monitor Stand—Vertical Stack Screen Support. (Year: 2020).\*

(Continued)

*Primary Examiner* — Lauren D McVey  
(74) *Attorney, Agent, or Firm* — W&K IP

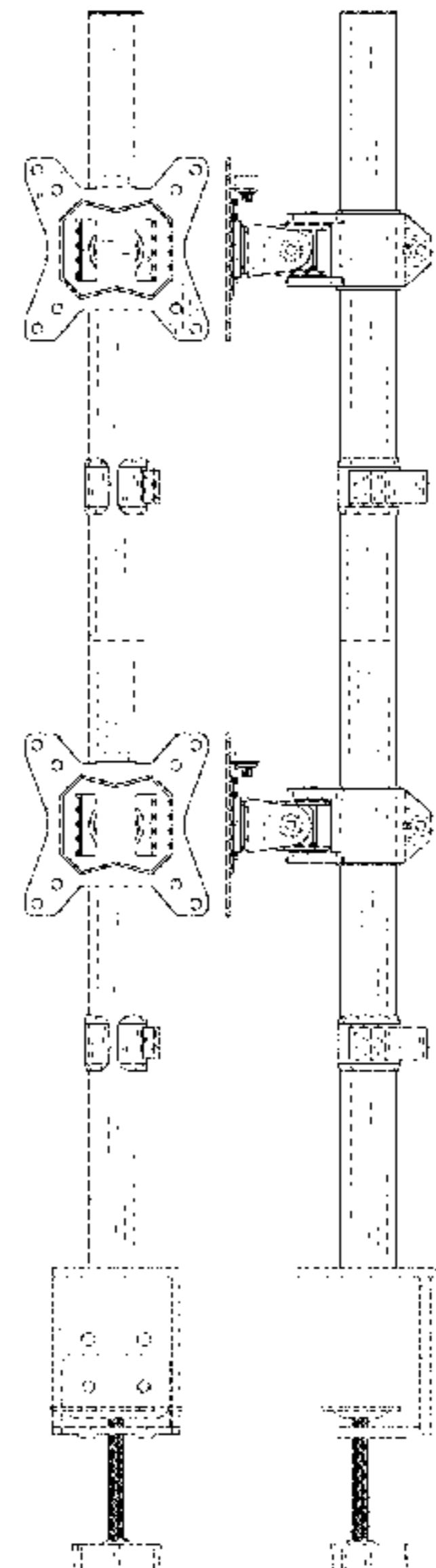
(57) **CLAIM**

The ornamental design for a display mount, as shown and described.

**DESCRIPTION**

FIG. 1 is a perspective view of a display mount showing my new design;  
FIG. 2 is a front view thereof;  
FIG. 3 is a rear view thereof;  
FIG. 4 is a left side view thereof;  
FIG. 5 is a right side view thereof;  
FIG. 6 is a top plan view thereof; and,  
FIG. 7 is a bottom plan view thereof.  
The evenly-broken lines where present illustrate portions of the display mount that form no part of the claimed design.

**1 Claim, 7 Drawing Sheets**



(56)

**References Cited**

OTHER PUBLICATIONS

Amazon. Link: [https://www.amazon.com/dp/B082MZFGVT/ref=cm\\_sw\\_em\\_r\\_mt\\_dp\\_Mm14Fb5MFFDGG?\\_encoding=UTF8&psc=](https://www.amazon.com/dp/B082MZFGVT/ref=cm_sw_em_r_mt_dp_Mm14Fb5MFFDGG?_encoding=UTF8&psc=)  
1. Dec. 12, 2019. HUANUO Vertical Monitor Stand for 2 Monitors.  
(Year: 2019).\*

Amazon. Link: [https://www.amazon.com/VIVO-Single-Monitor-Adjustable-STAND-V001C/dp/B00DGTP57A?ref=ast\\_sto\\_dp&th=](https://www.amazon.com/VIVO-Single-Monitor-Adjustable-STAND-V001C/dp/B00DGTP57A?ref=ast_sto_dp&th=)  
1. Jun. 18, 2013. VIVO Dual LCD Monitor Desk Mount Stand.  
(Year: 2013).\*

Amazon. Link: [https://www.amazon.com/dp/B002RW4K4G/ref=cm\\_sw\\_em\\_r\\_mt\\_dp\\_pB14FbYQXN69R](https://www.amazon.com/dp/B002RW4K4G/ref=cm_sw_em_r_mt_dp_pB14FbYQXN69R). Sep. 14, 2004. Atdec Dual Stack or Single Monitor Desk Mount. (Year: 2004).\*

\* cited by examiner

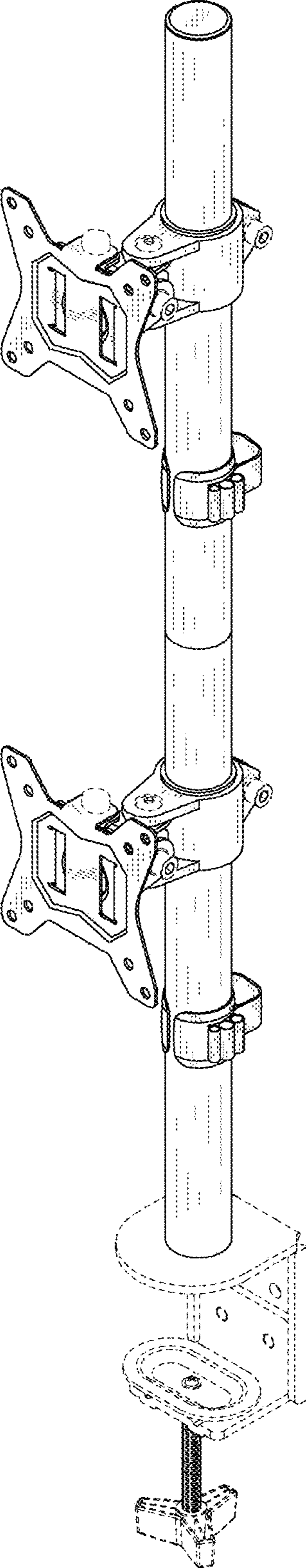


FIG.1

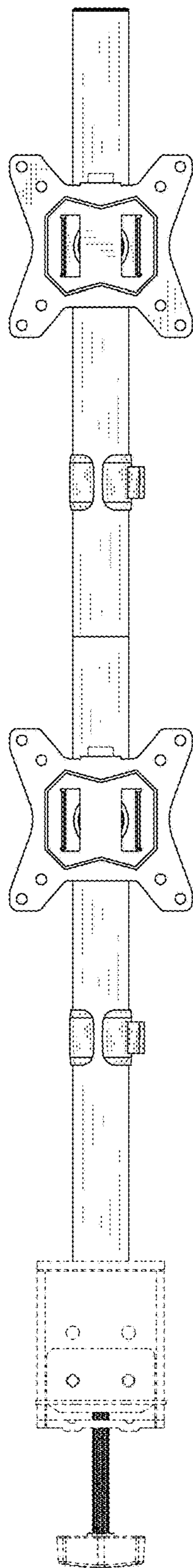


FIG. 2

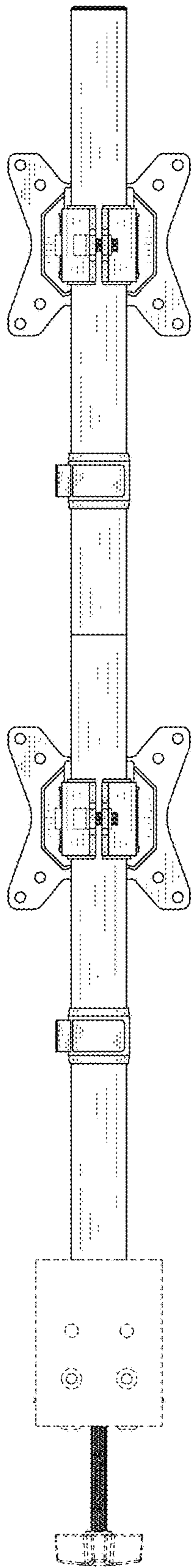


FIG. 3

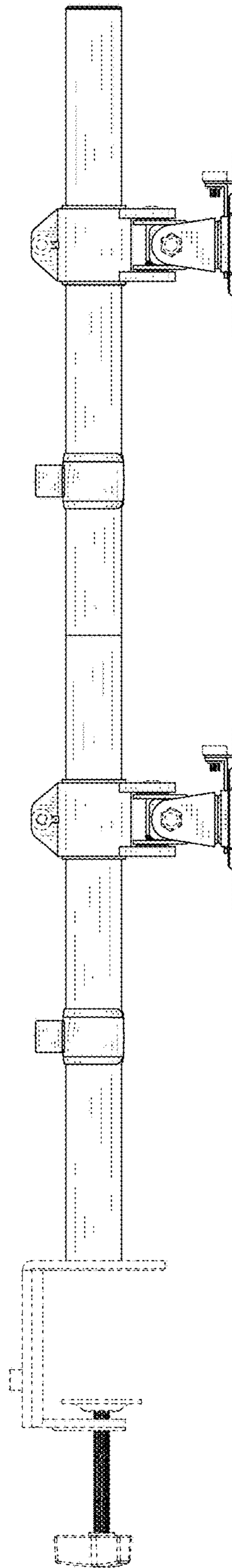


FIG. 4



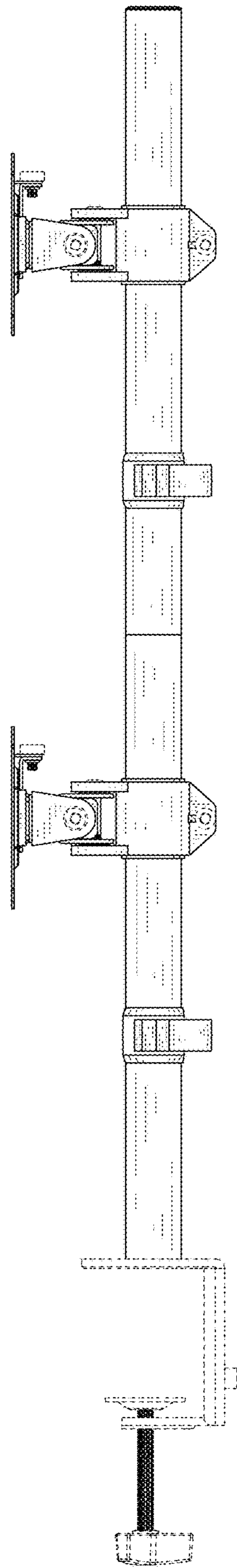


FIG. 5

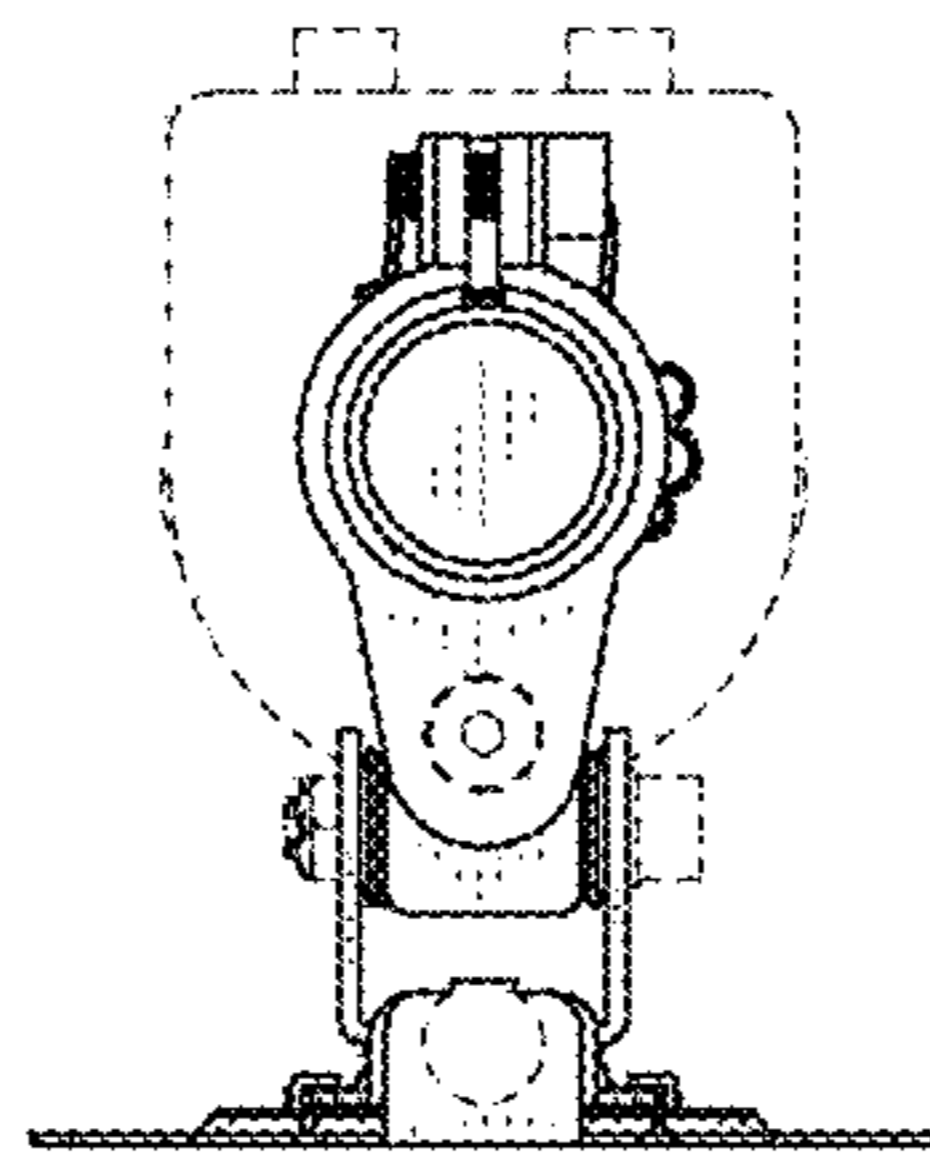


FIG. 6



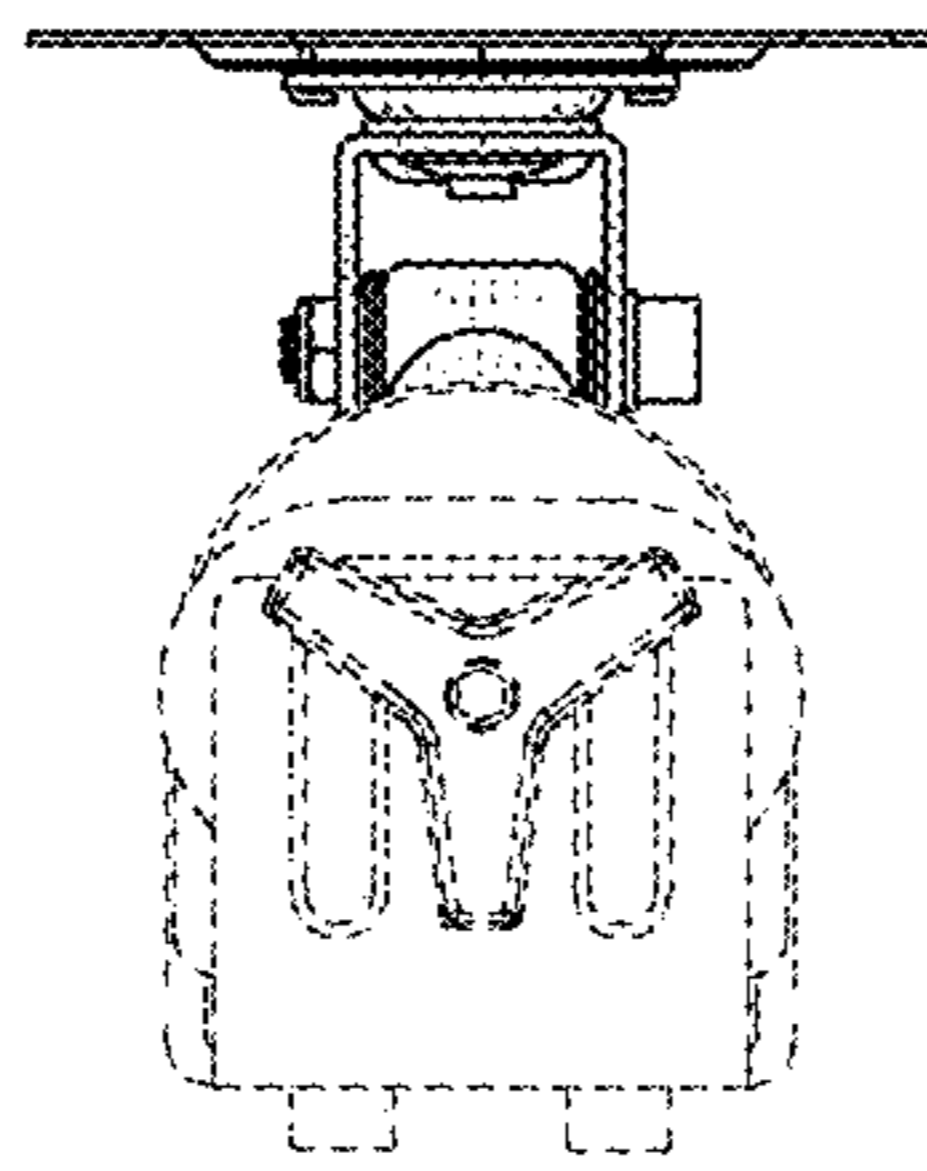


FIG. 7