



US00D922394S

(12) **United States Design Patent**
Lu et al.

(10) **Patent No.:** **US D922,394 S**
(45) **Date of Patent:** **** Jun. 15, 2021**

(54) **MONITOR MOUNT**

(71) Applicant: **Hangzhou Yue Fu Si Supply Chain Management Co., Ltd, Zhejiang (CN)**

(72) Inventors: **Zhiye Lu, Zhejiang (CN); Shiming Wang, Zhejiang (CN)**

(73) Assignee: **Hangzhou Yue Fu Si Supply Chain Management Co., Ltd, Zhejiang (CN)**

(**) Term: **15 Years**

(21) Appl. No.: **29/743,579**

(22) Filed: **Jul. 22, 2020**

(51) **LOC (13) Cl.** **14-02**

(52) **U.S. Cl.**
USPC **D14/452**

(58) **Field of Classification Search**
USPC D14/239, 371, 372, 373, 374, 447-452,
D14/125, 127, 128, 129, 335-337, 375,
D14/376, 377, 341; D8/355, 363, 373;
D6/672, 682

CPC F16M 11/2085; F16M 11/2092; F16M
11/2007; F16M 11/2014; F16M 11/2021;
F16M 11/105; F16M 11/10; F16M
11/048; F16M 11/12; F16M 13/022
See application file for complete search history.

(56) **References Cited**

U.S. PATENT DOCUMENTS

D390,450 S	2/1998	Rosen	
D391,243 S	2/1998	Rosen	
D537,323 S *	2/2007	Saez	D14/452
D654,503 S *	2/2012	Sapper	D14/452
D679,282 S *	4/2013	Liu	D14/452
D745,873 S *	12/2015	Xiang	D14/452
D747,179 S *	1/2016	Xiang	D8/363
D798,848 S *	10/2017	Frank	D14/239
D830,371 S *	10/2018	Lau	D14/452

D877,744 S *	3/2020	Xiang	D14/452
2010/0327129 A1 *	12/2010	Chen	F16M 11/2092 248/121
2012/0267497 A1 *	10/2012	Bowman	F16M 11/2014 248/280.11

(Continued)

FOREIGN PATENT DOCUMENTS

CN	302865071	*	7/2014	
JP	D1579354	*	6/2017	
WO	WO-2015154575 A1	*	10/2015 F16M 11/12

OTHER PUBLICATIONS

Amazon. Link: https://www.amazon.com/dp/B08FSN72BG/ref=cm_sw_em_r_mt_dp_GH03R1YAF4ZJJ8SH48SX. Aug. 12, 2020. JUICEUP Single Pneumatic Spring Monitor Arm Desk Stand. (Year: 2020).*

(Continued)

Primary Examiner — Lauren D McVey
(74) *Attorney, Agent, or Firm* — ScienBiziP, P.C.

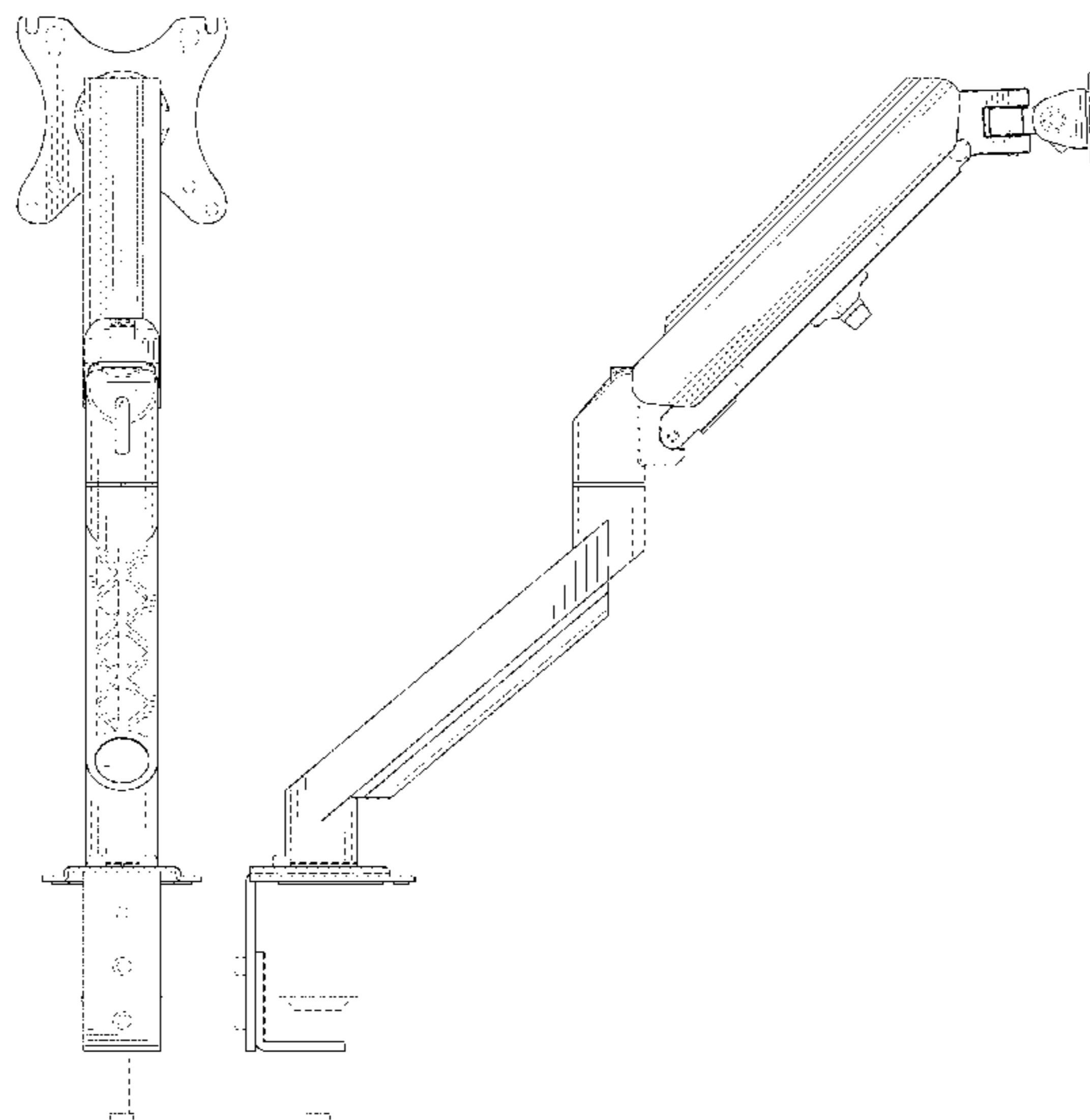
(57) **CLAIM**

The ornamental design for a monitor mount, as shown and described.

DESCRIPTION

FIG. 1 is a right perspective view of a monitor mount, showing our new design;
FIG. 2 is a left perspective view thereof;
FIG. 3 is a front elevation view thereof;
FIG. 4 is a rear elevation view thereof;
FIG. 5 is a left side elevation view thereof;
FIG. 6 is a right side elevation view thereof;
FIG. 7 is a top plan view thereof; and,
FIG. 8 is a bottom plan view thereof.
The broken lines immediately adjacent to the claim depict the bounds of the claimed design, while all other broken lines are directed to environment. The broken lines form no part of the claimed design.

1 Claim, 8 Drawing Sheets



(56)

References Cited

U.S. PATENT DOCUMENTS

2016/0352054 A1* 12/2016 Xiang F16M 11/2007
2018/0112820 A1* 4/2018 Lau F16M 13/02
2019/0301670 A1* 10/2019 Glickstein F16M 13/022

OTHER PUBLICATIONS

Amazon: https://www.amazon.com/dp/B0779JSRH5/ref=cm_sw_em_r_mt_dp_KJDT7HCMCVN557J6S3G9. Dec. 16, 2017. WALI Premium Single LCD Monitor Desk Mount Fully Adjustable Gas Spring Stand. (Year: 2017).*

Amazon. Link: https://www.amazon.com/dp/B08FRSG8S1/ref=sspa_dk_detail_5?pd_rd_i=B08FRTHJGK&pd_rd_w=85Jlr&pf_rd_p=811154a9-44b1-49f2-91%E2%80%A6&th=1. Aug. 10, 2020. JUICEUP Single Monitor Stand. (Year: 2020).*

Amazon. Link: https://www.amazon.com/EleTab-Single-Monitor-Desk-Mount/dp/B07BF76ZG1/ref=psdc_490624011_t3_B07PMR6VBN. Sep. 6, 2018. EleTab Single Monitor Desk Mount. (Year: 2018).*

* cited by examiner

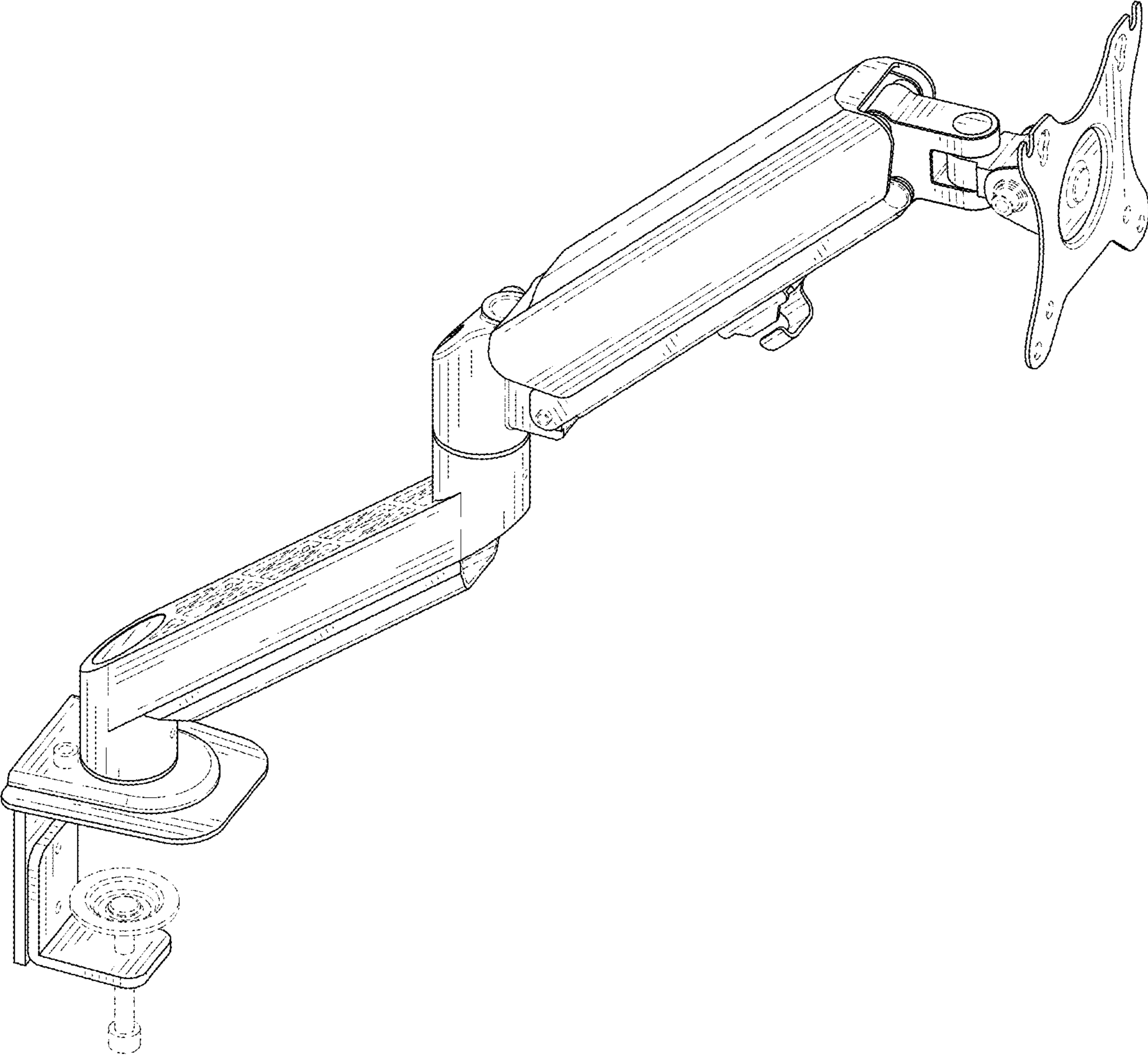


FIG. 1

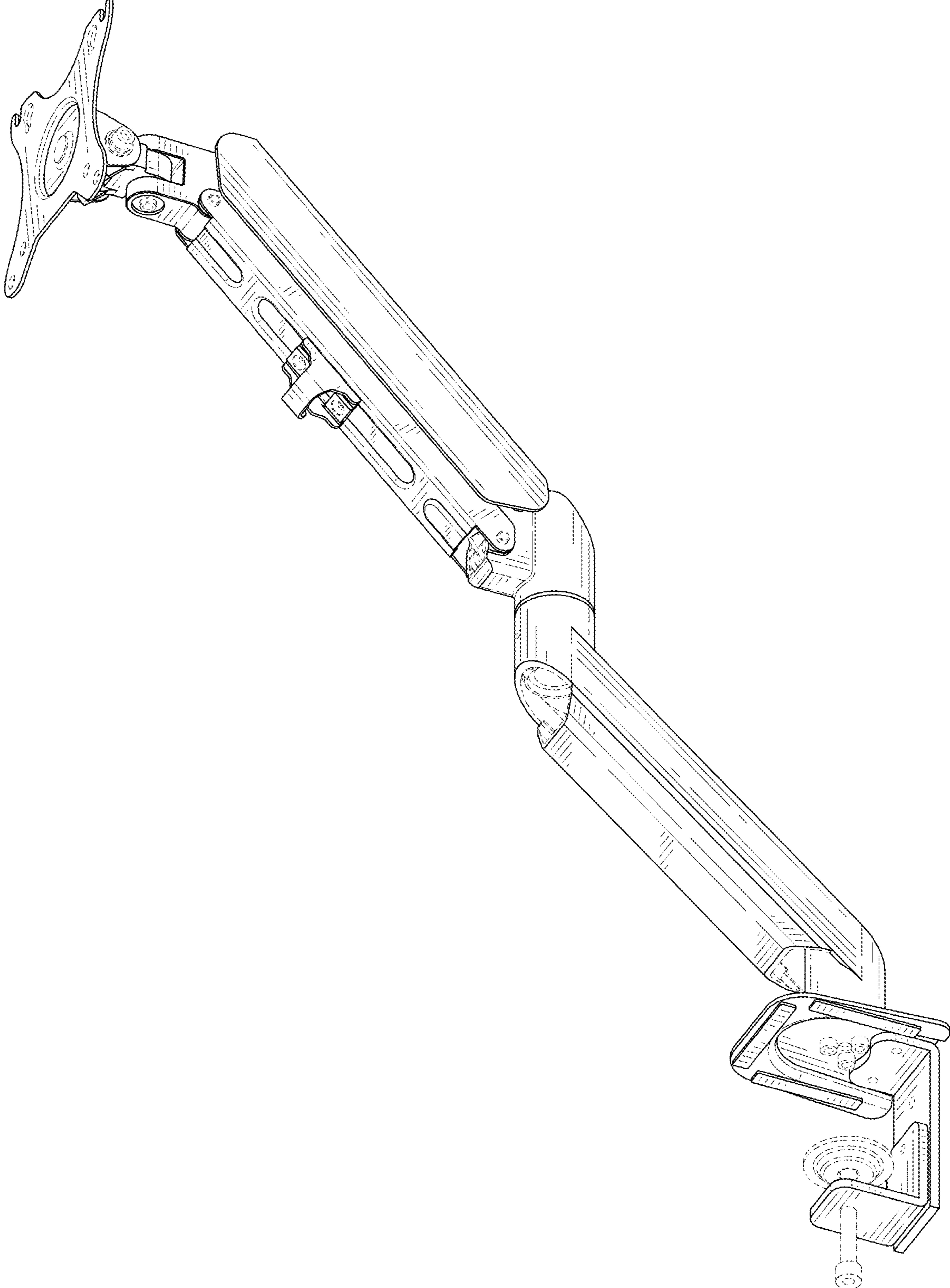


FIG. 2

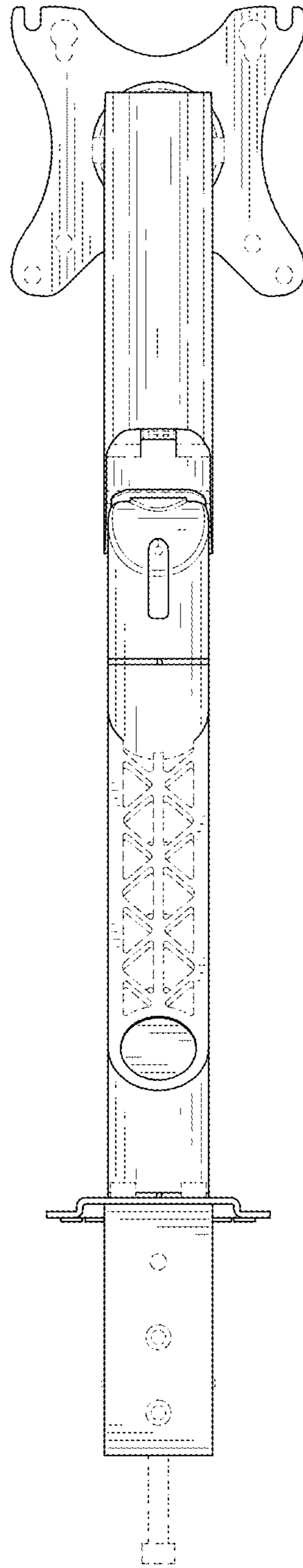


FIG. 3

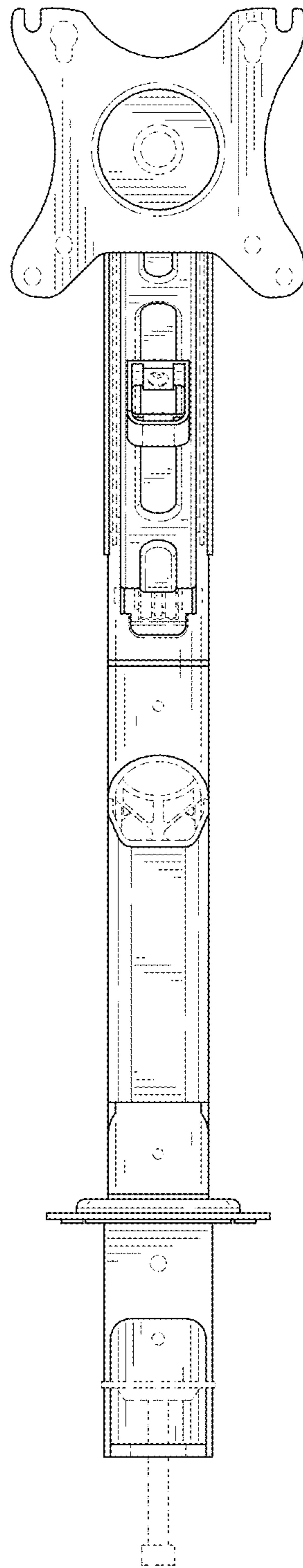


FIG. 4

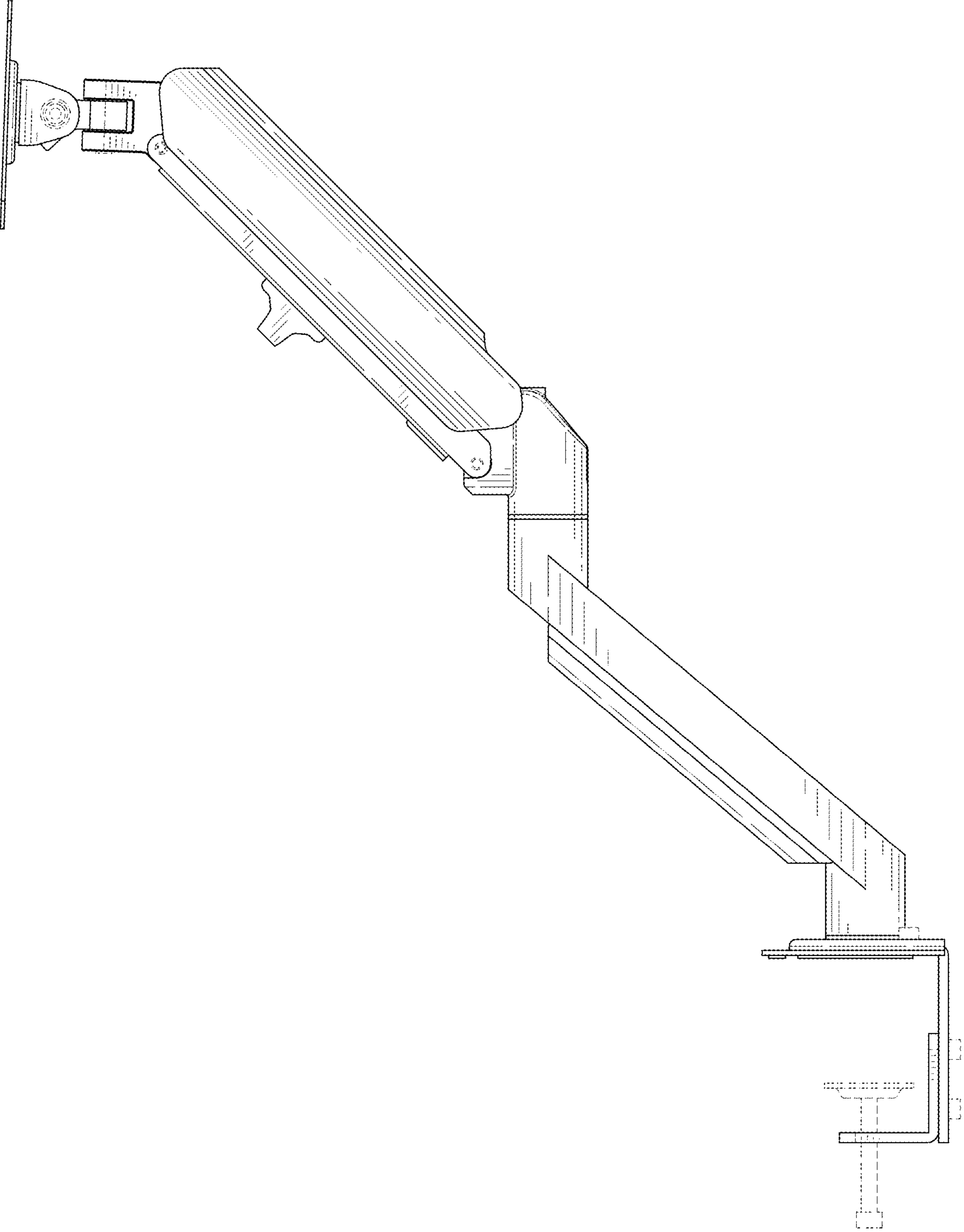


FIG. 5

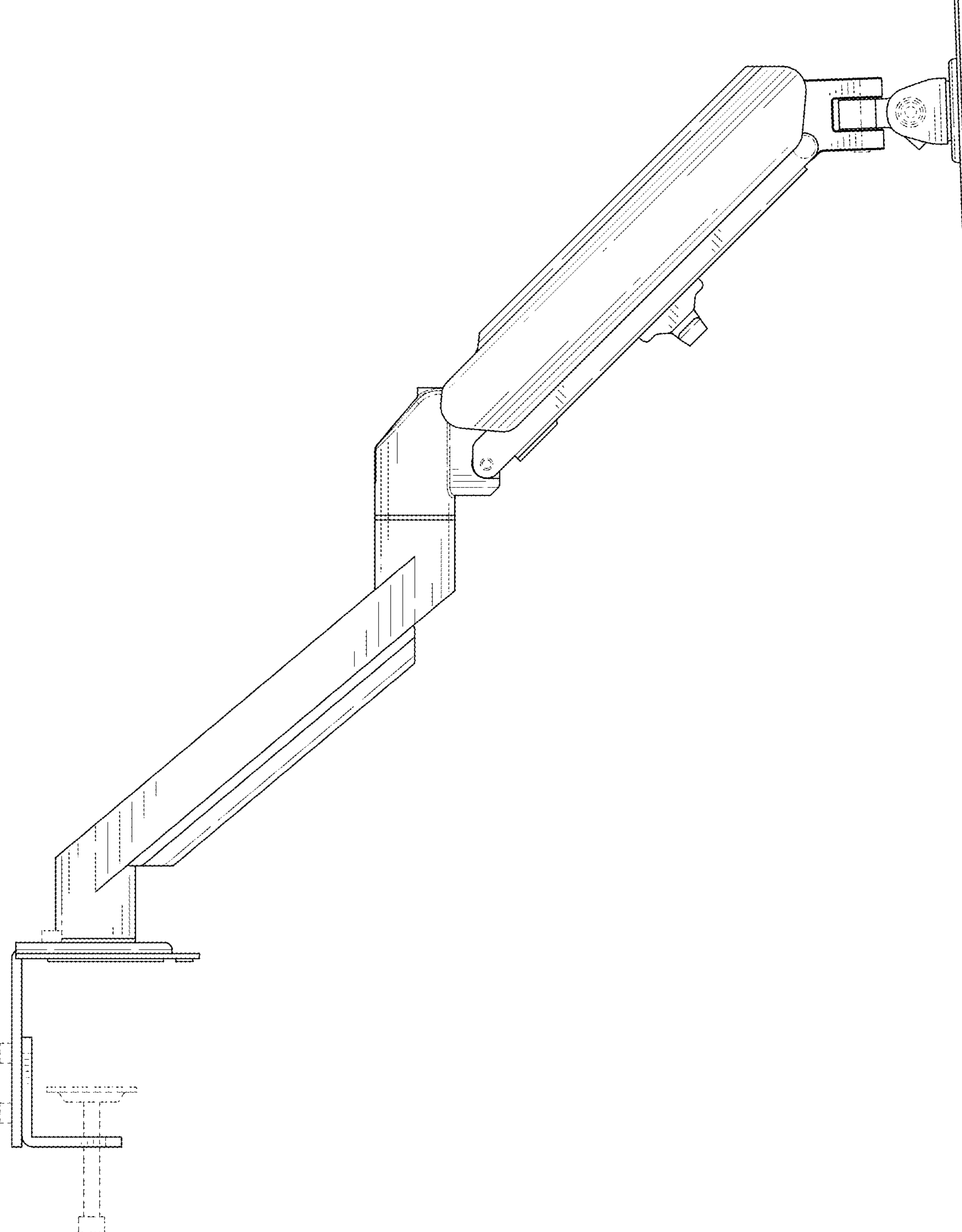


FIG. 6

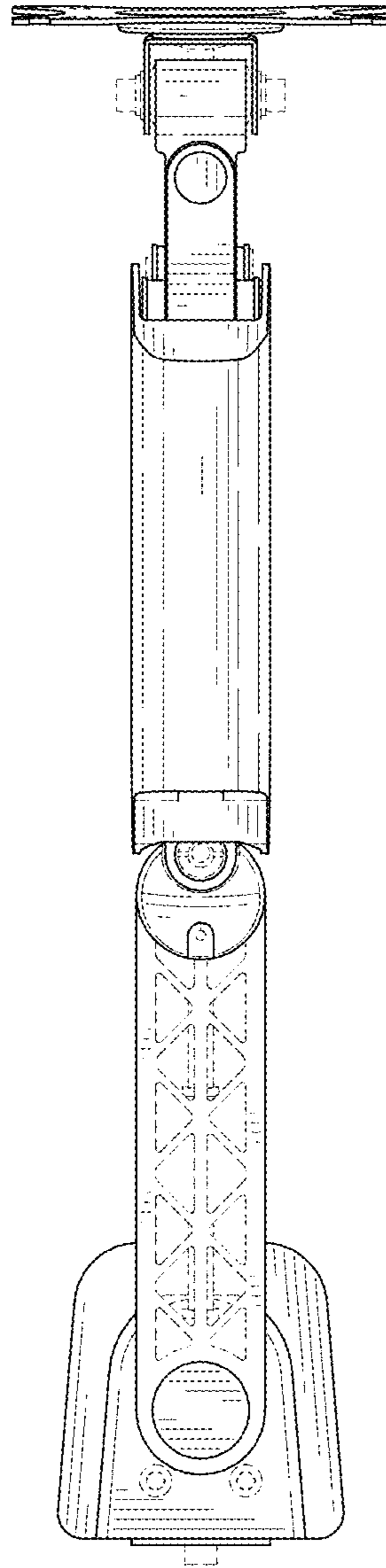


FIG. 7

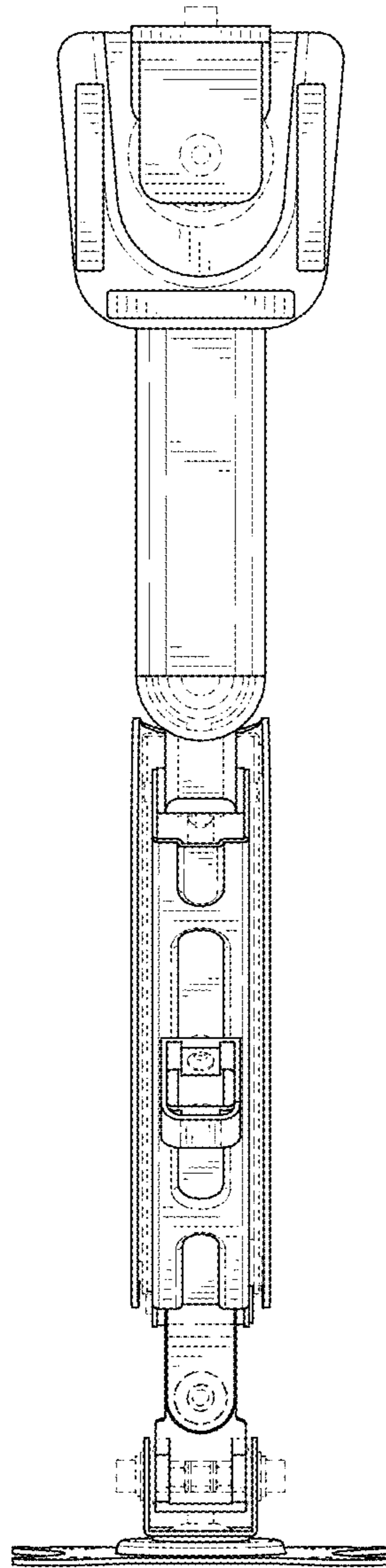


FIG. 8