



US00D922393S

(12) **United States Design Patent**  
**Nana**

(10) **Patent No.:** **US D922,393 S**

(45) **Date of Patent:** **\*\* Jun. 15, 2021**

(54) **LAPTOP STAND**

(71) Applicant: **Shenzhen Estart Technology Co., Ltd,**  
Shenzhen (CN)

(72) Inventor: **Shuai Nana,** Shenzhen (CN)

(\*\*) Term: **15 Years**

(21) Appl. No.: **29/735,191**

(22) Filed: **May 19, 2020**

(51) **LOC (13) Cl.** ..... **08-07**

(52) **U.S. Cl.**  
USPC ..... **D14/447**

(58) **Field of Classification Search**  
USPC ..... D14/447, 432, 434, 439, 440, 451, 452,  
D14/457, 239, 253; D8/363, 373, 380;  
D6/406.3, 406.4, 406.5, 406.6; D12/415  
CPC ..... A47B 21/04; A47B 2097/006; A47B  
2097/005; A47B 2023/049; A45C  
2011/002; A45C 2011/003; F16M  
2200/00; F16M 13/00

See application file for complete search history.

(56) **References Cited**

**U.S. PATENT DOCUMENTS**

D244,331 S \* 5/1977 Woods ..... D18/12  
D443,999 S \* 6/2001 Cable ..... D6/406.4  
D494,977 S \* 8/2004 Persson ..... D14/447

D554,647 S \* 11/2007 Chan ..... D14/447  
D557,267 S \* 12/2007 Beilstein ..... D14/447  
D559,257 S \* 1/2008 Hughes ..... D14/451  
D626,964 S \* 11/2010 Richardson ..... D14/447  
D688,495 S \* 8/2013 Gerner ..... D6/675.4  
D705,785 S \* 5/2014 Wang ..... D14/447  
D733,155 S \* 6/2015 van Hooft ..... D14/447  
D804,490 S \* 12/2017 Wei ..... D14/447  
D857,700 S \* 8/2019 Zeng ..... D14/447  
D915,414 S \* 4/2021 Yang ..... D14/447

\* cited by examiner

*Primary Examiner* — Angela J Lee

(74) *Attorney, Agent, or Firm* — Runit Ranjit Kanakia

(57) **CLAIM**

I claim the ornamental design for a laptop stand, as shown and described.

**DESCRIPTION**

FIG. 1 is a Back Perspective view of a laptop stand showing my new design;

FIG. 2 is a Front view thereof;

FIG. 3 is a Back view thereof;

FIG. 4 is a Left-side view thereof;

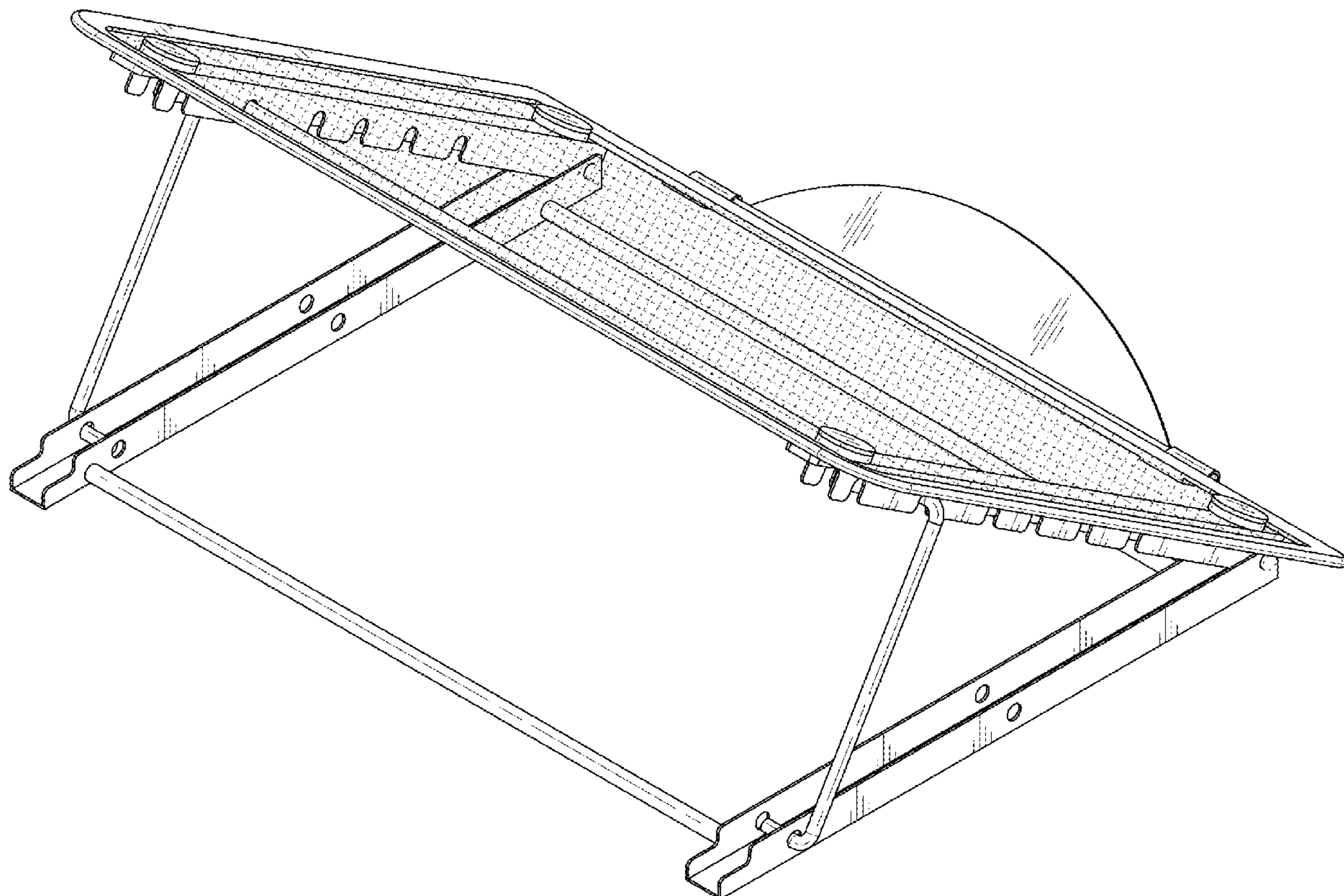
FIG. 5 is a Right-side view thereof;

FIG. 6 is a Top view thereof; and,

FIG. 7 is a Bottom view thereof.

The broken lines are only for environmental purposes and form no part of the claimed design.

**1 Claim, 7 Drawing Sheets**



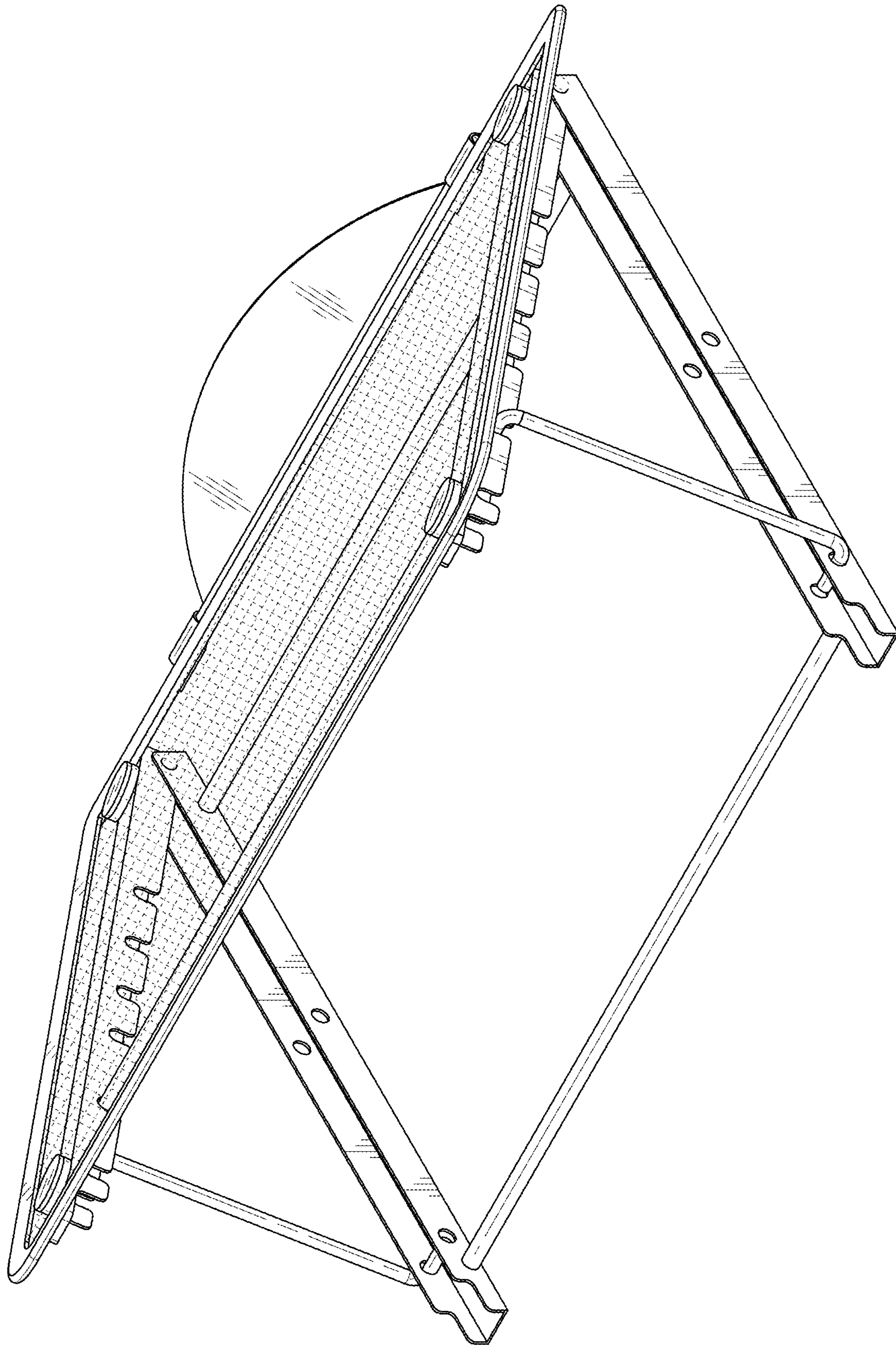


FIG. 1



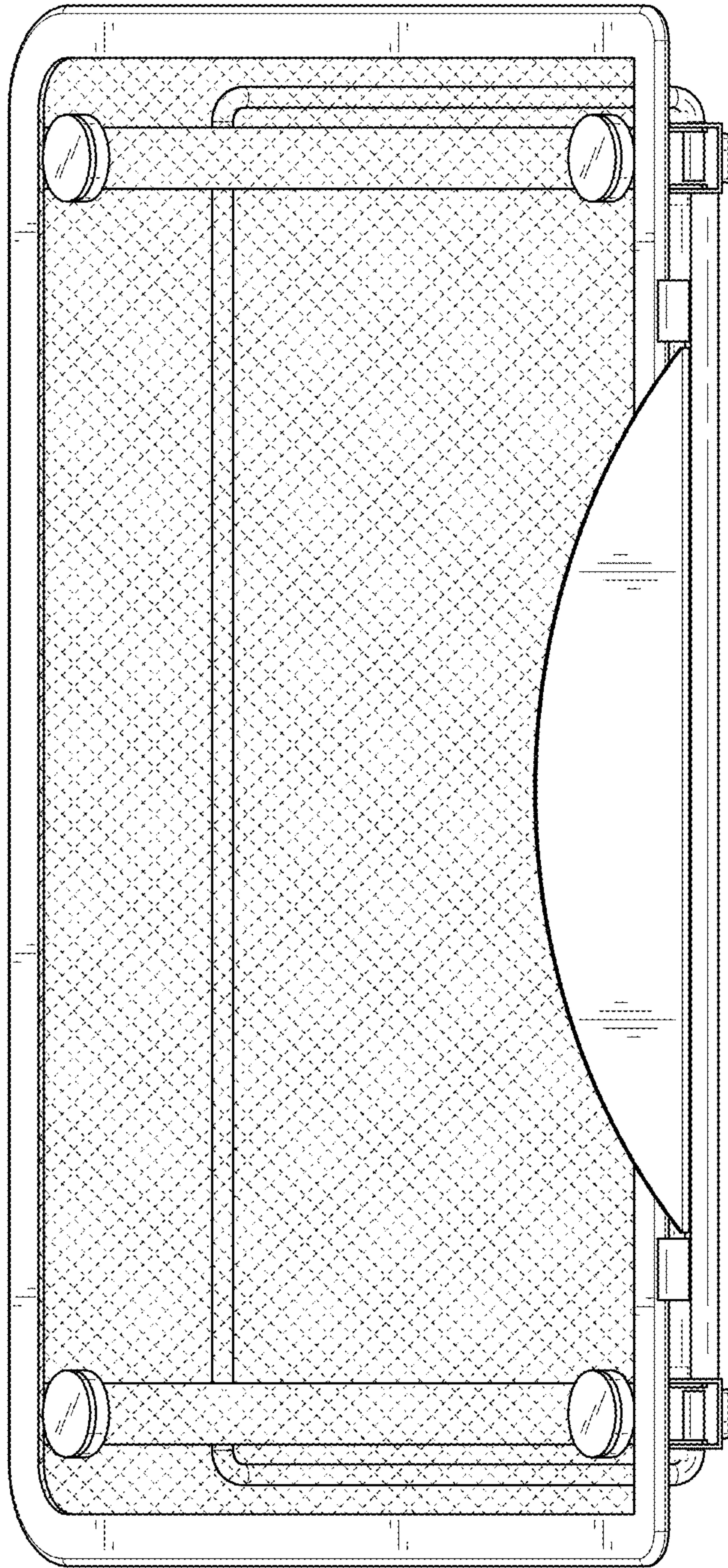


FIG. 2

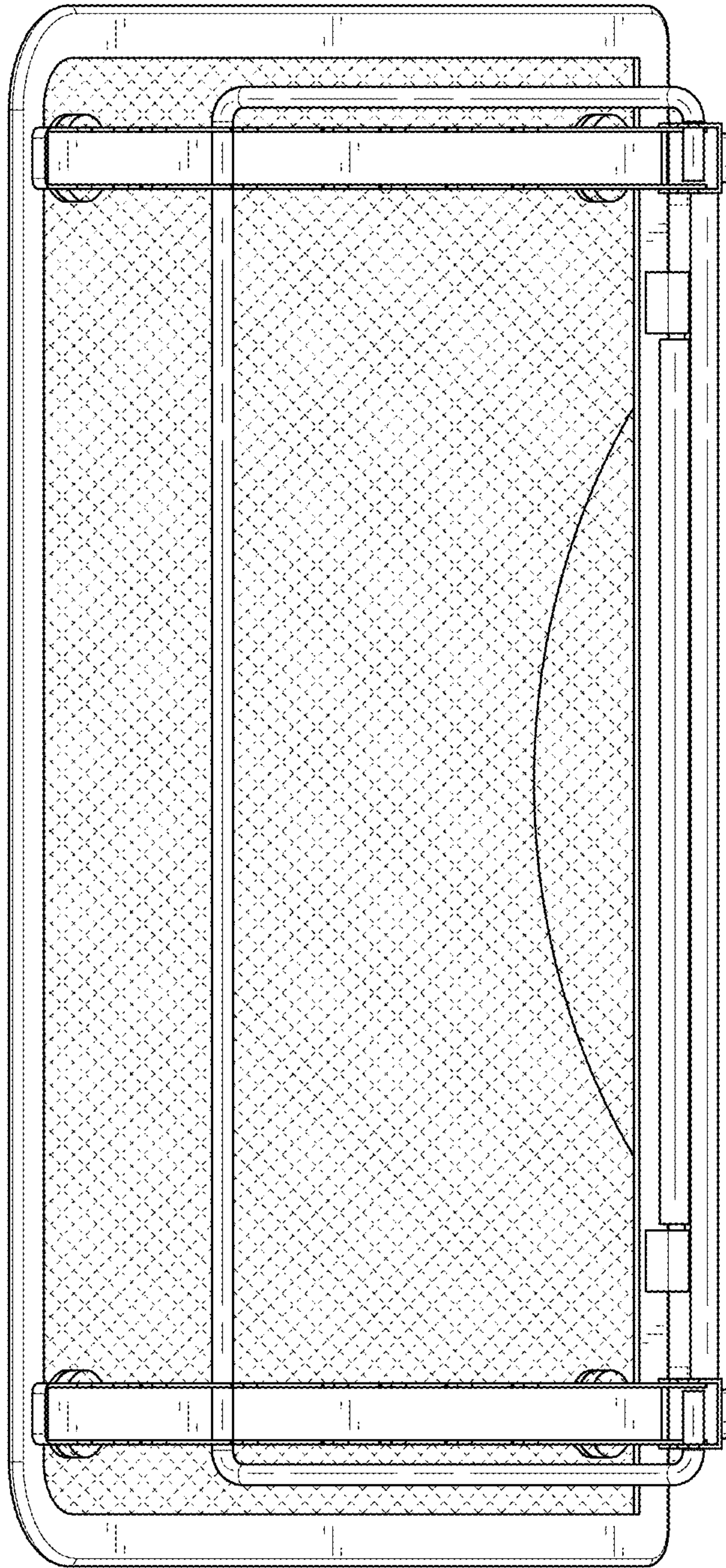


FIG. 3

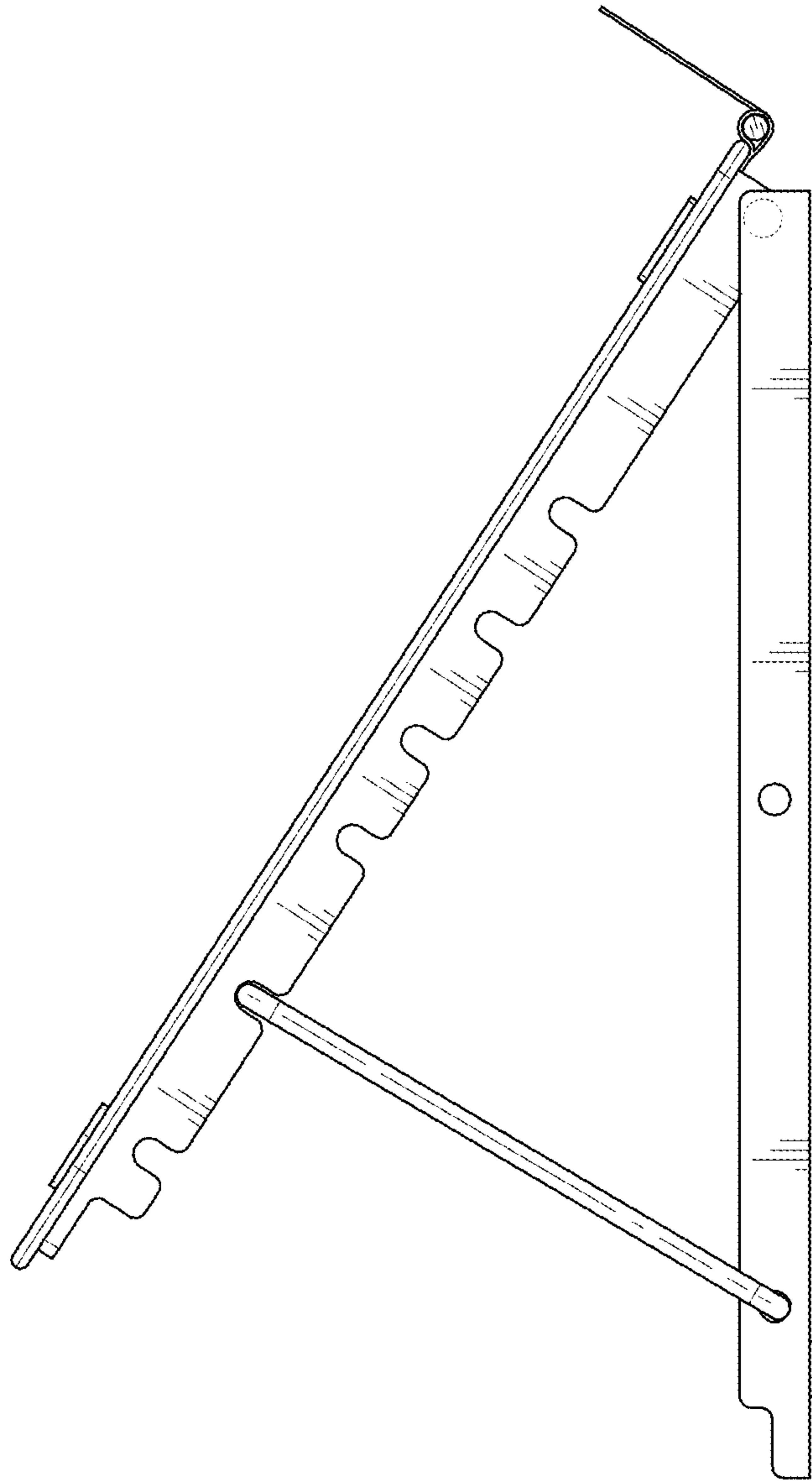


FIG. 4



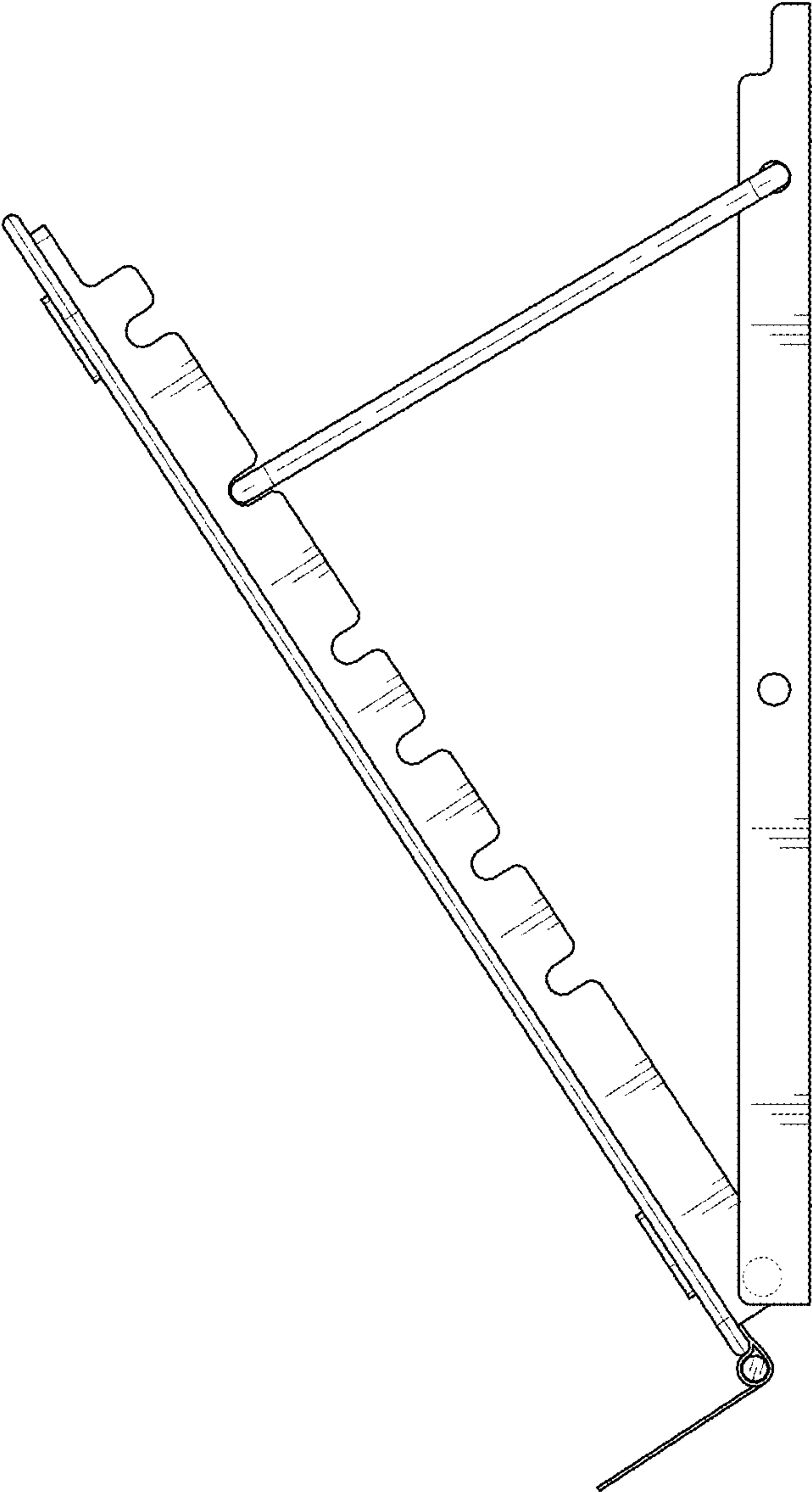


FIG. 5

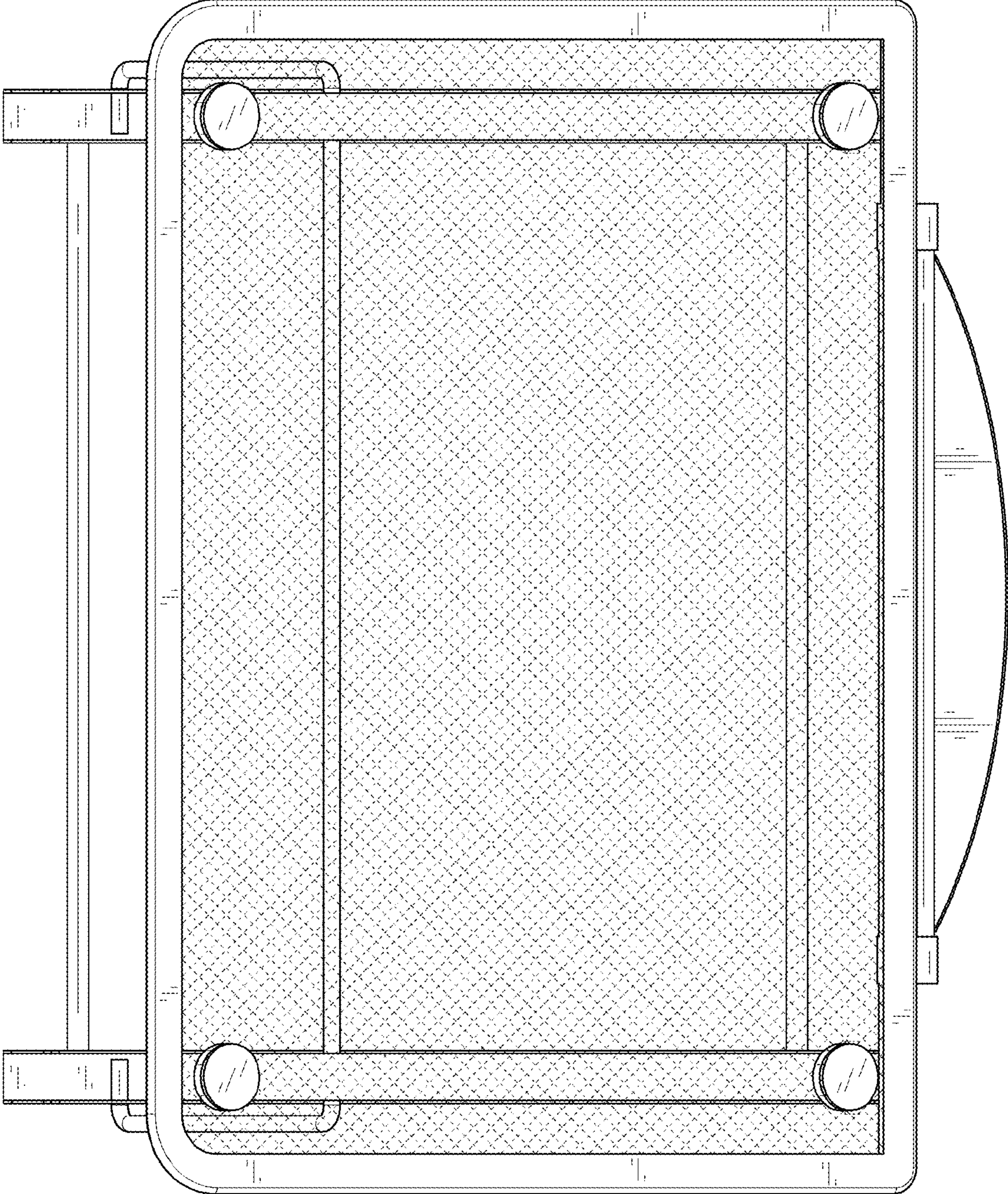


FIG. 6



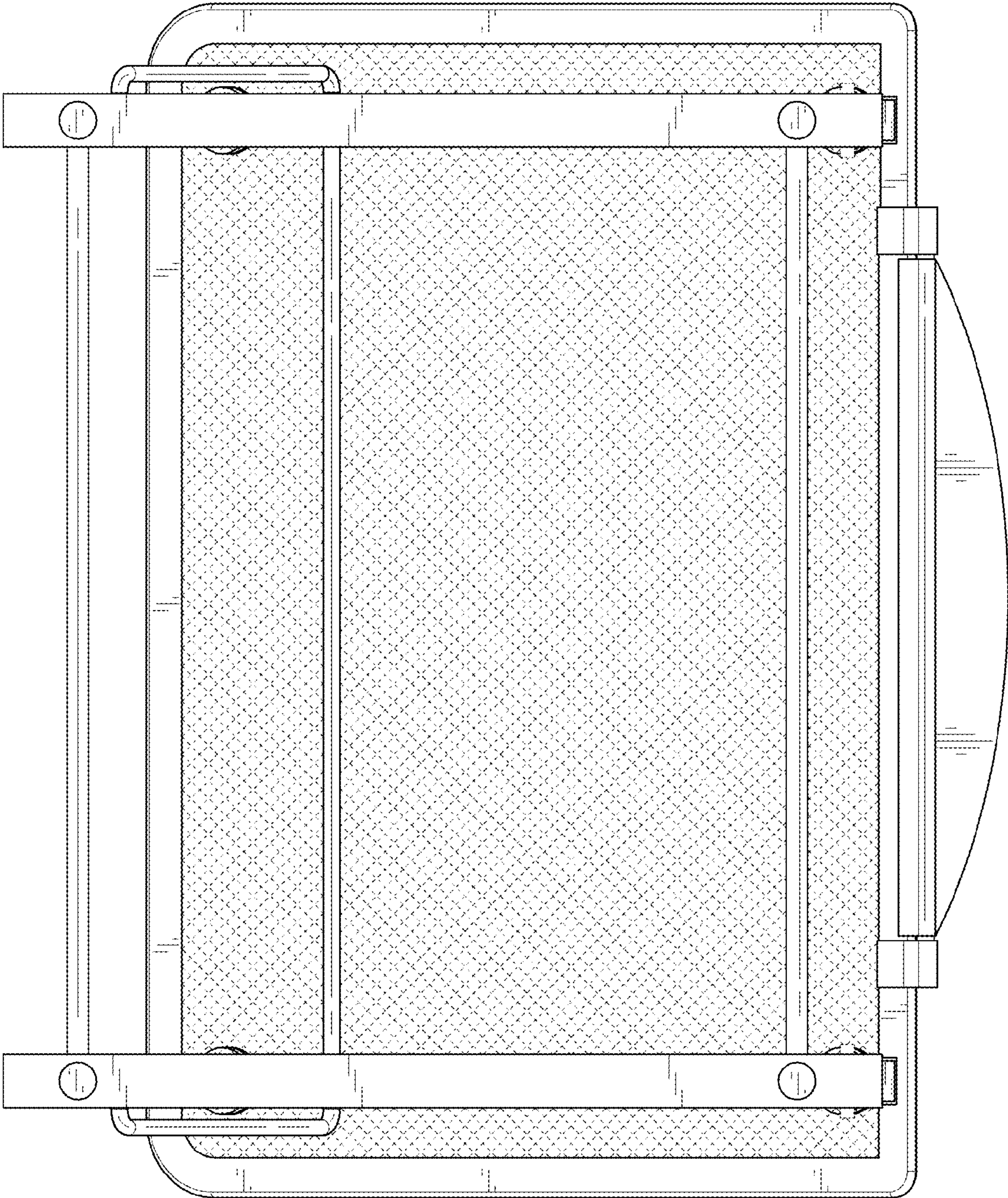


FIG. 7