



US00D922389S

(12) **United States Design Patent**  
**Liu**

(10) **Patent No.:** **US D922,389 S**

(45) **Date of Patent:** **\*\* Jun. 15, 2021**

(54) **DOCKING UNIT FOR COMPUTER**

(71) Applicant: **Zhenhua Liu**, Shenzhen (CN)

(72) Inventor: **Zhenhua Liu**, Shenzhen (CN)

(73) Assignee: **ACASIS INC. Co., Ltd**, Shenzhen (CN)

(\*\*) Term: **15 Years**

(21) Appl. No.: **29/710,495**

(22) Filed: **Oct. 23, 2019**

(30) **Foreign Application Priority Data**

Aug. 23, 2019 (CN) ..... 201930461775.2

(51) **LOC (13) Cl.** ..... **14-02**

(52) **U.S. Cl.**  
USPC ..... **D14/434**

(58) **Field of Classification Search**  
USPC ... D14/434, 433, 435, 435.1, 356, 357, 358,  
D14/440, 447, 251-253, 432, 451, 452,  
D14/454, 217, 299, 496, 171; D13/103,  
D13/107, 108; D21/333  
CPC ..... G06F 1/1632

See application file for complete search history.

(56) **References Cited**

**U.S. PATENT DOCUMENTS**

D336,631 S *	6/1993	Ivester	.....	D13/108
D374,858 S *	10/1996	Chu	.....	D13/108
D388,764 S *	1/1998	Bartling	.....	D13/107
D422,578 S *	4/2000	Bertrand	.....	D14/385
D530,717 S *	10/2006	Mori	.....	D14/434
D532,005 S *	11/2006	Leith	.....	D14/253
D565,571 S *	4/2008	Trifilio	.....	D14/356
D590,770 S *	4/2009	Moss	.....	D13/108
D592,662 S *	5/2009	Lai	.....	D14/363

D623,188 S *	9/2010	Son	.....	D14/434
D625,729 S *	10/2010	McNames	.....	D14/434
D633,503 S *	3/2011	Bo	.....	D14/434
D647,907 S *	11/2011	Perry	.....	D14/434
D654,019 S *	2/2012	Ikegame	.....	D13/108
D662,491 S *	6/2012	Andre	.....	D14/434
D685,392 S *	7/2013	Chamness	.....	D14/496
D686,595 S *	7/2013	Andre	.....	D14/217
D687,377 S *	8/2013	Huang	.....	D13/108
D696,299 S *	12/2013	Chamness	.....	D14/496
D726,690 S *	4/2015	Andre	.....	D14/217
D751,079 S *	3/2016	Skjoldborg	.....	D14/434
D752,051 S *	3/2016	Chen	.....	D14/434
D768,569 S *	10/2016	Ohno	.....	D13/107
D869,393 S *	12/2019	Urasini	.....	D13/108
D875,097 S *	2/2020	Martin	.....	D14/434
D880,482 S *	4/2020	Wang	.....	D14/434
D884,610 S *	5/2020	Heath	.....	D13/107
D896,228 S *	9/2020	Sjogren	.....	D14/434
D908,616 S *	1/2021	Bonilla	.....	D13/108
D909,295 S *	2/2021	Bonilla	.....	D13/108
2003/0216069 A1 *	11/2003	Huang	.....	G06F 1/266 439/105

(Continued)

*Primary Examiner* — Marie D. Fast Horse

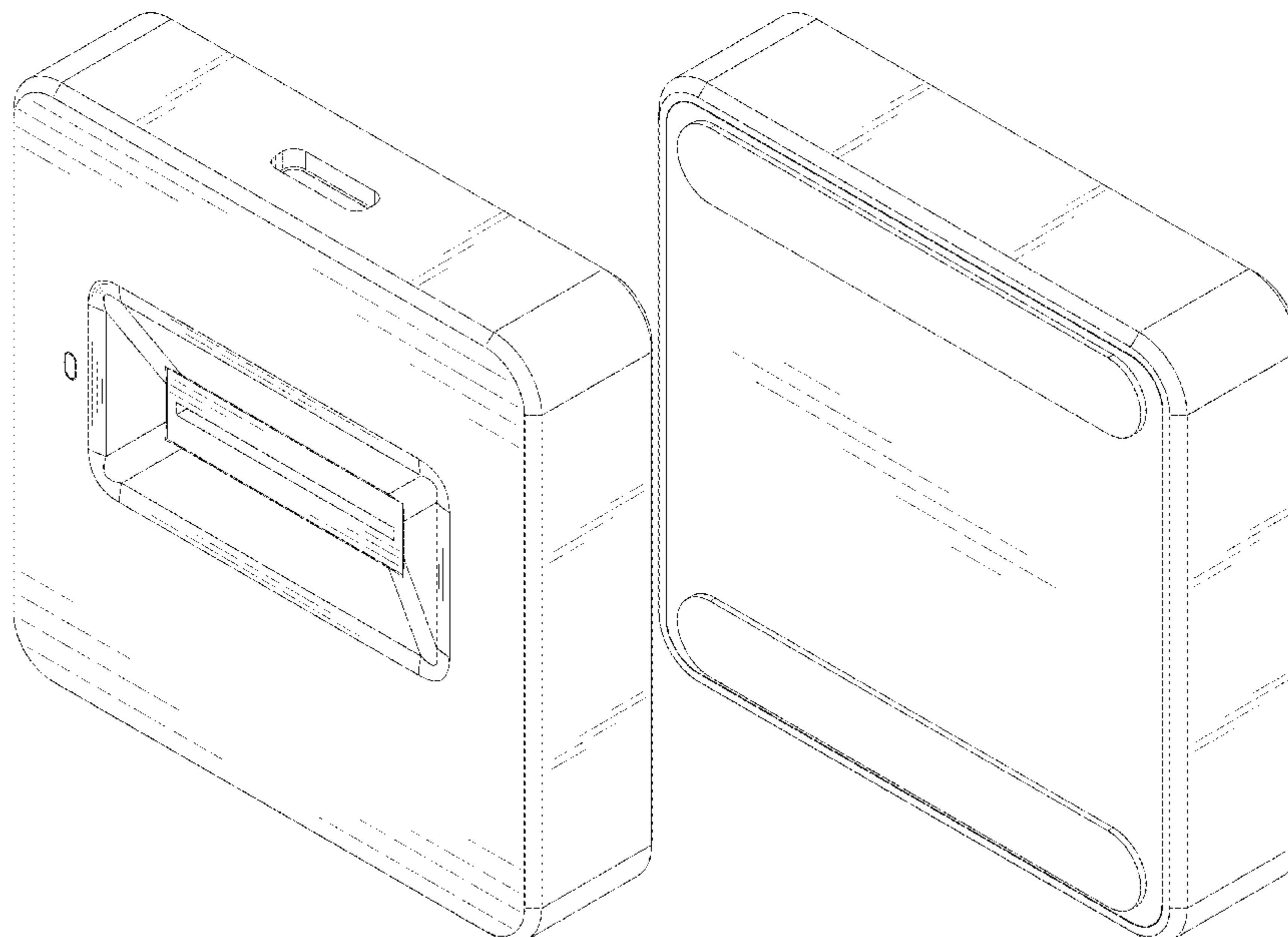
(57) **CLAIM**

The ornamental design for a docking unit for computer, as shown and described.

**DESCRIPTION**

FIG. 1 is a front perspective view of a docking unit for computer showing my new design;  
FIG. 2 is a rear perspective view thereof;  
FIG. 3 is a front elevational view thereof;  
FIG. 4 is a rear elevational view thereof;  
FIG. 5 is a left side elevational view thereof;  
FIG. 6 is a right side elevational view thereof;  
FIG. 7 is a top plan view thereof; and,  
FIG. 8 is a bottom plan view thereof.

**1 Claim, 7 Drawing Sheets**



(56)

**References Cited**

U.S. PATENT DOCUMENTS

2007/0217145 A1\* 9/2007 Sung ..... G06F 1/1632  
361/679.41  
2009/0296277 A1\* 12/2009 Huang ..... G11B 33/123  
360/132  
2012/0194132 A1\* 8/2012 Ikegame ..... H02J 7/0045  
320/113  
2019/0006861 A1\* 1/2019 Mikami ..... H02J 7/0044

\* cited by examiner

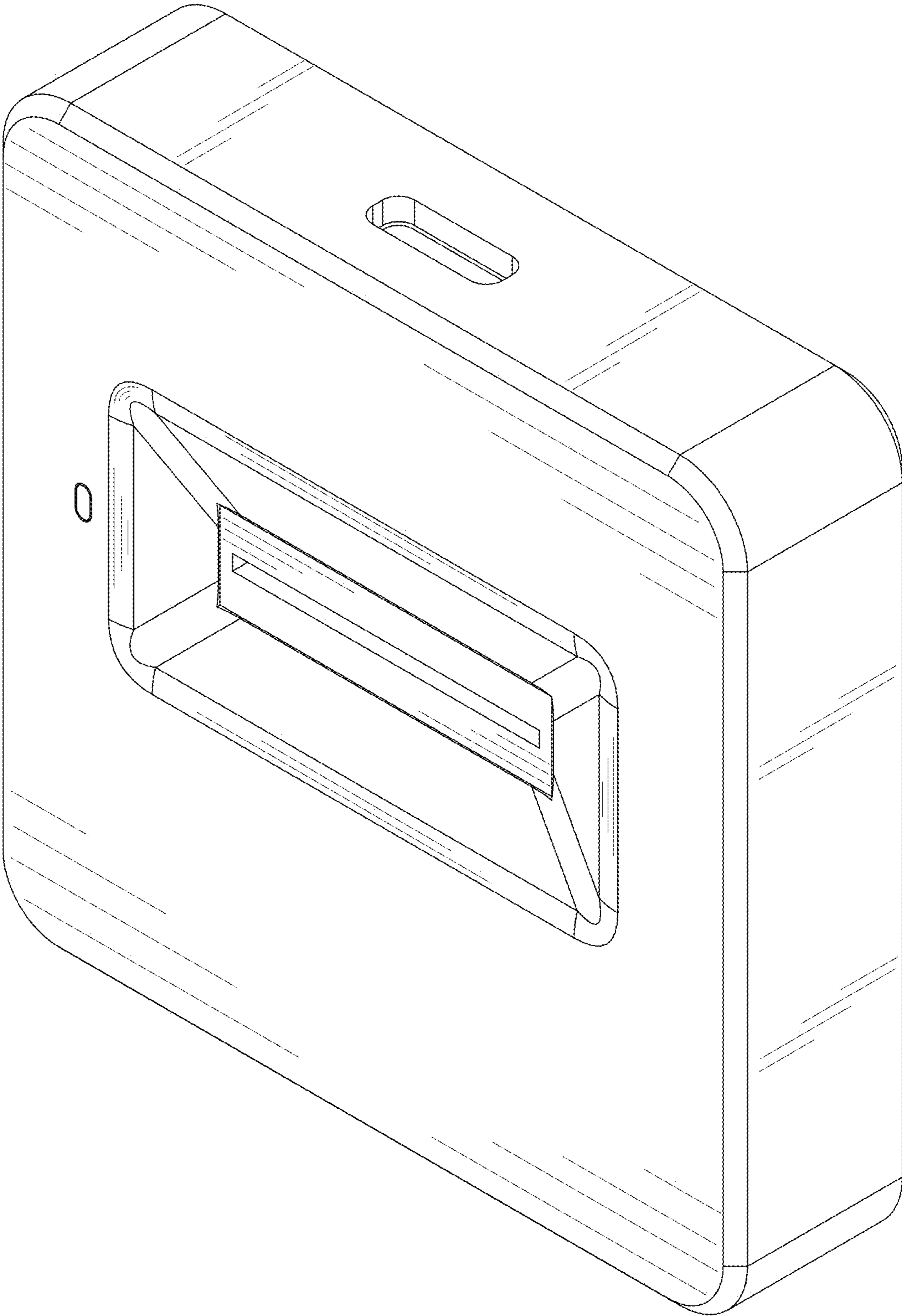


FIG. 1

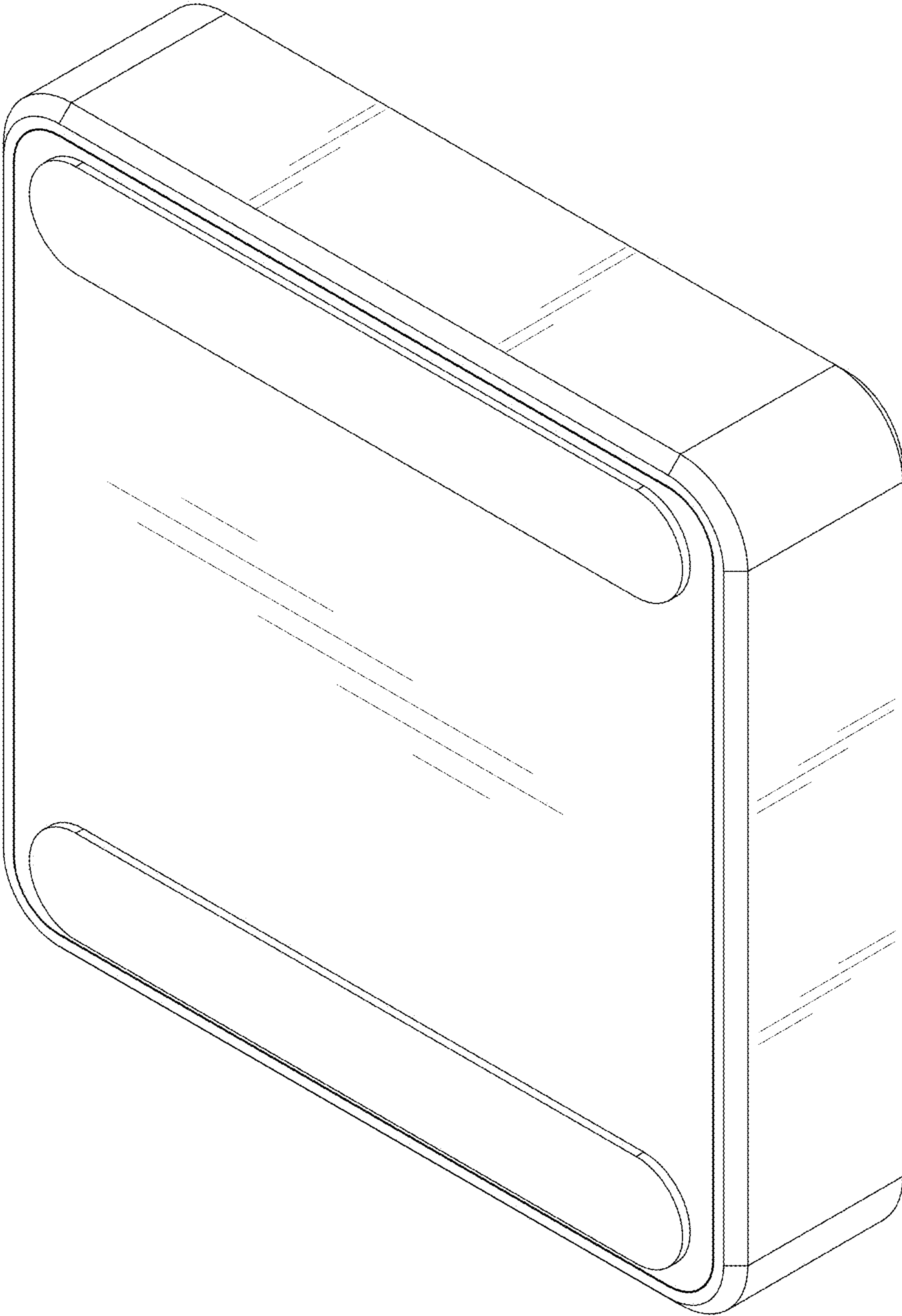


FIG. 2



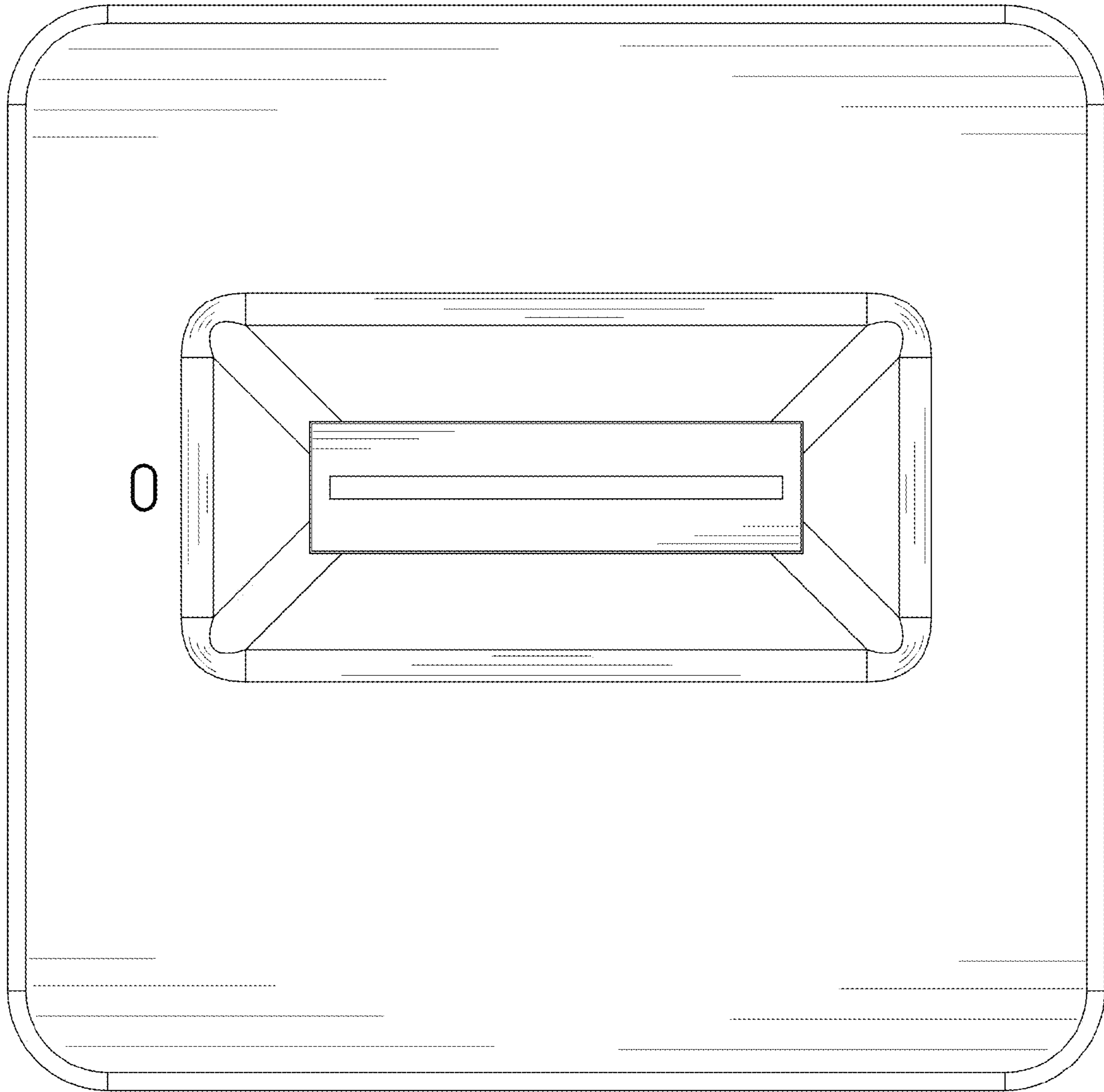


FIG. 3

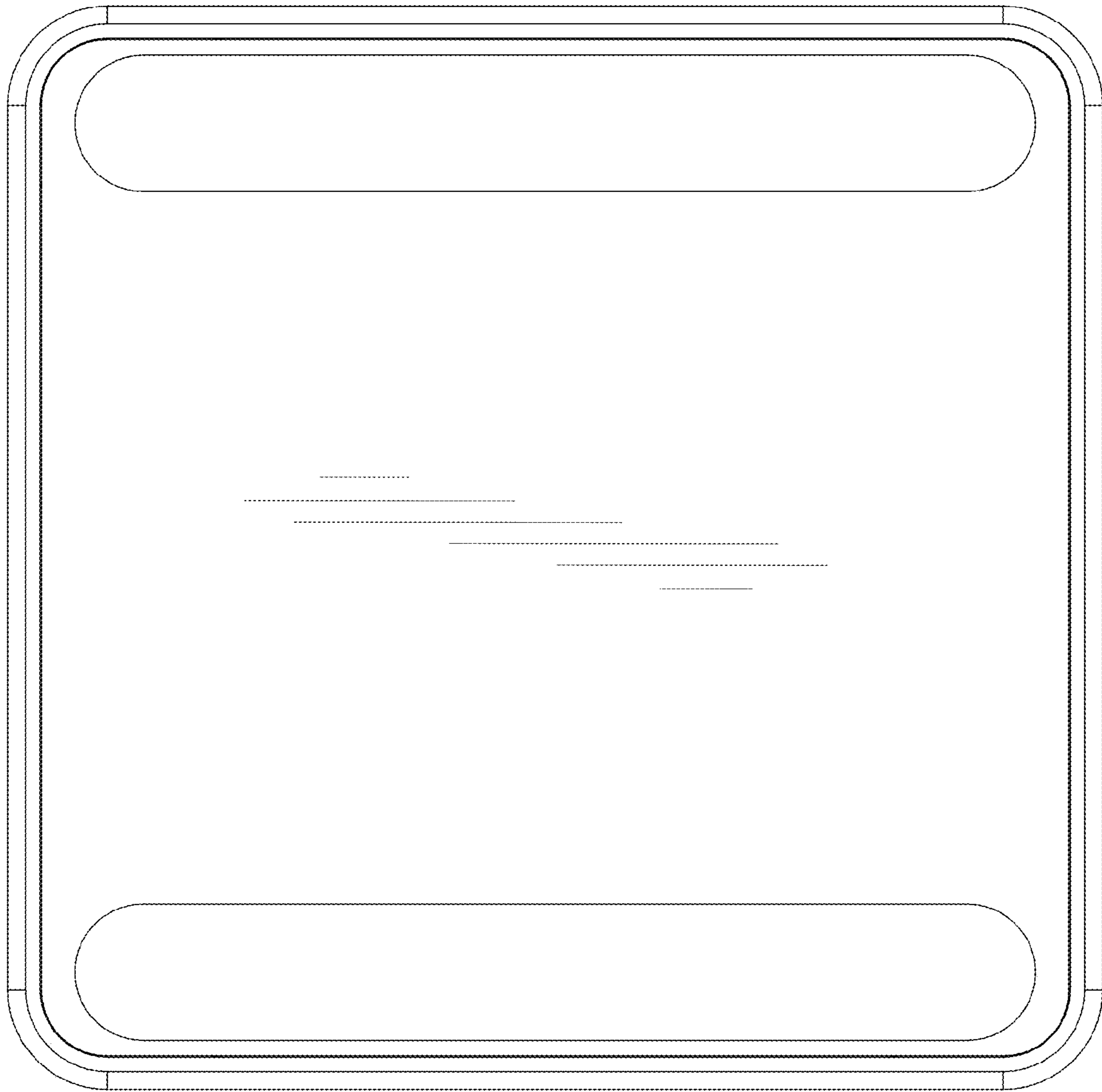


FIG. 4

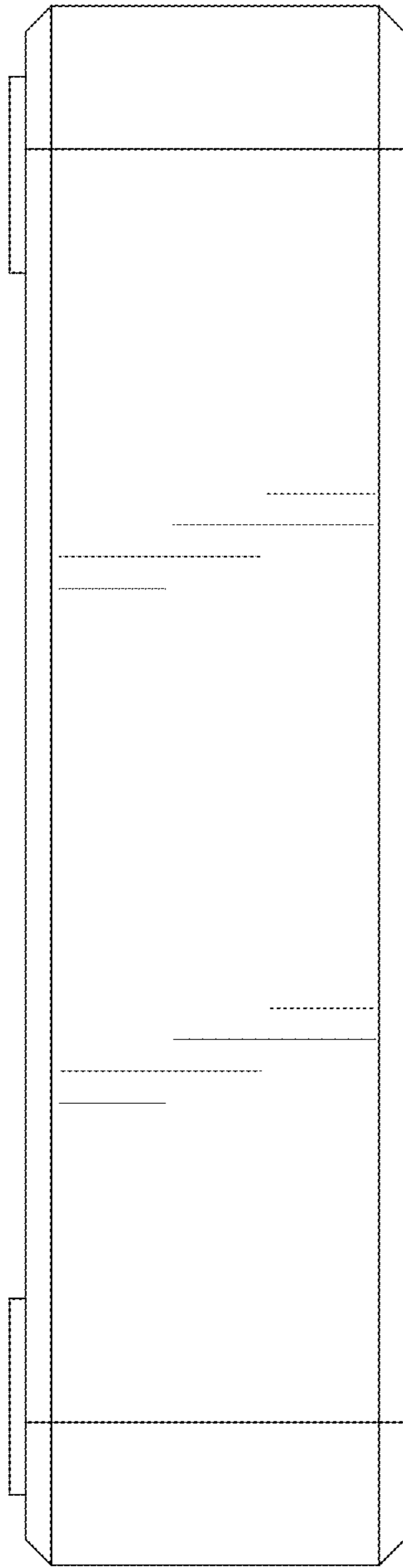


FIG. 5

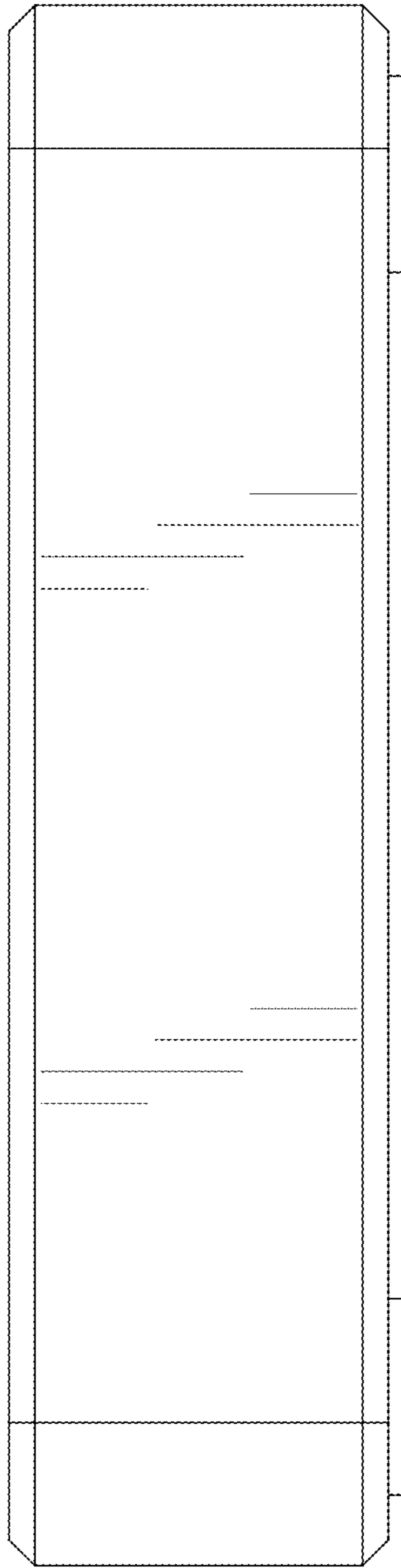


FIG. 6



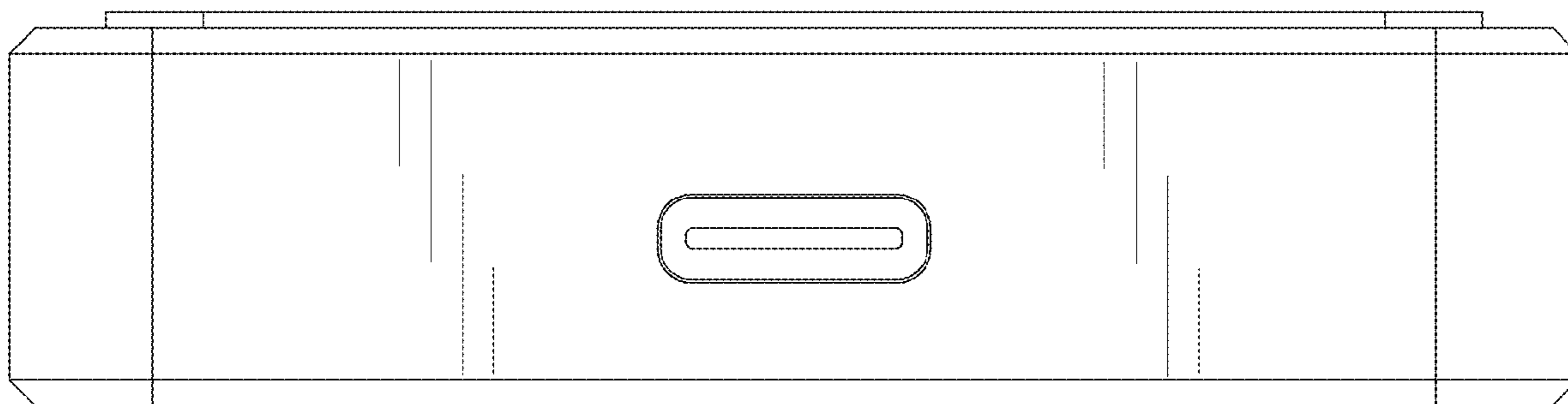


FIG. 7

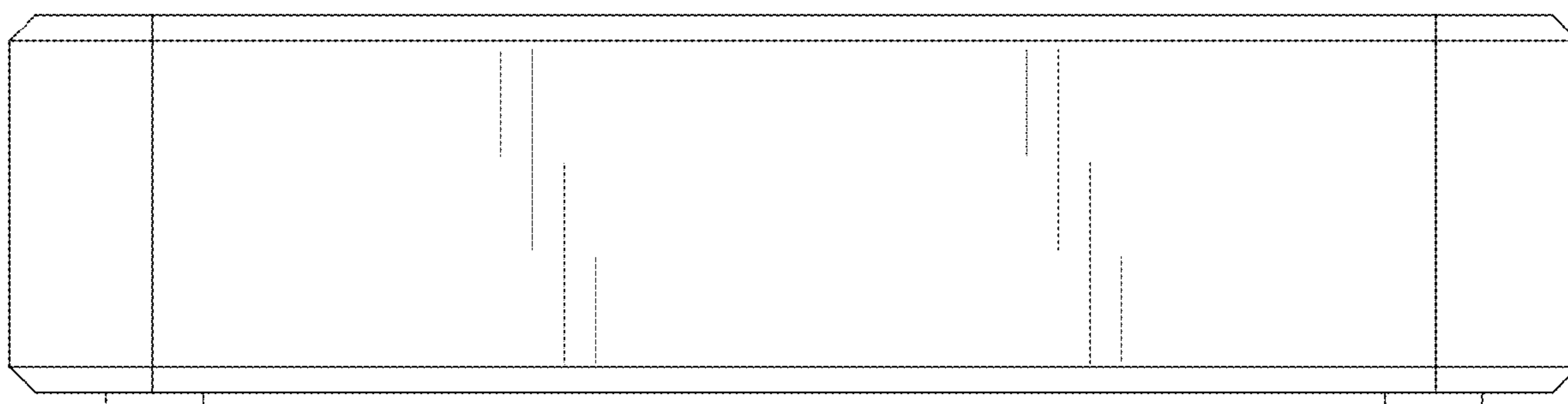


FIG. 8