



US00D922388S

(12) **United States Design Patent**
Liu

(10) **Patent No.:** **US D922,388 S**
(45) **Date of Patent:** **** Jun. 15, 2021**

(54) **DOCKING UNIT FOR COMPUTER**

(71) Applicant: **Zhenhua Liu**, Shenzhen (CN)

(72) Inventor: **Zhenhua Liu**, Shenzhen (CN)

(73) Assignee: **ACASIS INC. Co., Ltd**, Shenzhen (CN)

(**) Term: **15 Years**

(21) Appl. No.: **29/710,493**

(22) Filed: **Oct. 23, 2019**

(30) **Foreign Application Priority Data**

Aug. 23, 2019 (CN) 201930461275.9

(51) **LOC (13) Cl.** **14-02**

(52) **U.S. Cl.**
USPC **D14/434**

(58) **Field of Classification Search**
USPC ... D14/434, 433, 435, 435.1, 356, 357, 358,
D14/440, 447, 251-253, 432, 451, 452,
D14/454, 217, 299, 496, 171; D13/103,
D13/107, 108; D21/333
CPC G06F 1/1632

See application file for complete search history.

(56) **References Cited**

U.S. PATENT DOCUMENTS

D336,631 S *	6/1993	Ivester	D13/108
D374,858 S *	10/1996	Chu	D13/108
D388,764 S *	1/1998	Bartling	D13/107
D422,578 S *	4/2000	Bertrand	D14/385
D530,717 S *	10/2006	Mori	D14/434
D532,005 S *	11/2006	Leith	D14/253
D565,571 S *	4/2008	Trifilio	D14/356
D590,770 S *	4/2009	Moss	D13/108
D592,662 S *	5/2009	Lai	D14/363

D623,188 S *	9/2010	Son	D14/434
D625,729 S *	10/2010	McNames	D14/434
D633,503 S *	3/2011	Bo	D14/434
D647,907 S *	11/2011	Perry	D14/434
D654,019 S *	2/2012	Ikegame	D13/108
D662,491 S *	6/2012	Andre	D14/434
D685,392 S *	7/2013	Chamness	D14/496
D686,595 S *	7/2013	Andre	D14/217
D687,377 S *	8/2013	Huang	D13/108
D696,299 S *	12/2013	Chamness	D14/496
D726,690 S *	4/2015	Andre	D14/217
D751,079 S *	3/2016	Skjoldborg	D14/434
D752,051 S *	3/2016	Chen	D14/434
D768,569 S *	10/2016	Ohno	D13/107
D869,393 S *	12/2019	Urasini	D13/108
D875,097 S *	2/2020	Martin	D14/434
D880,482 S *	4/2020	Wang	D14/434
D884,610 S *	5/2020	Heath	D13/107
D896,228 S *	9/2020	Sjogren	D14/434
D908,616 S *	1/2021	Bonilla	D13/108
D909,295 S *	2/2021	Bonilla	D13/108
2003/0216069 A1 *	11/2003	Huang	G06F 1/266 439/105

(Continued)

Primary Examiner — Marie D. Fast Horse

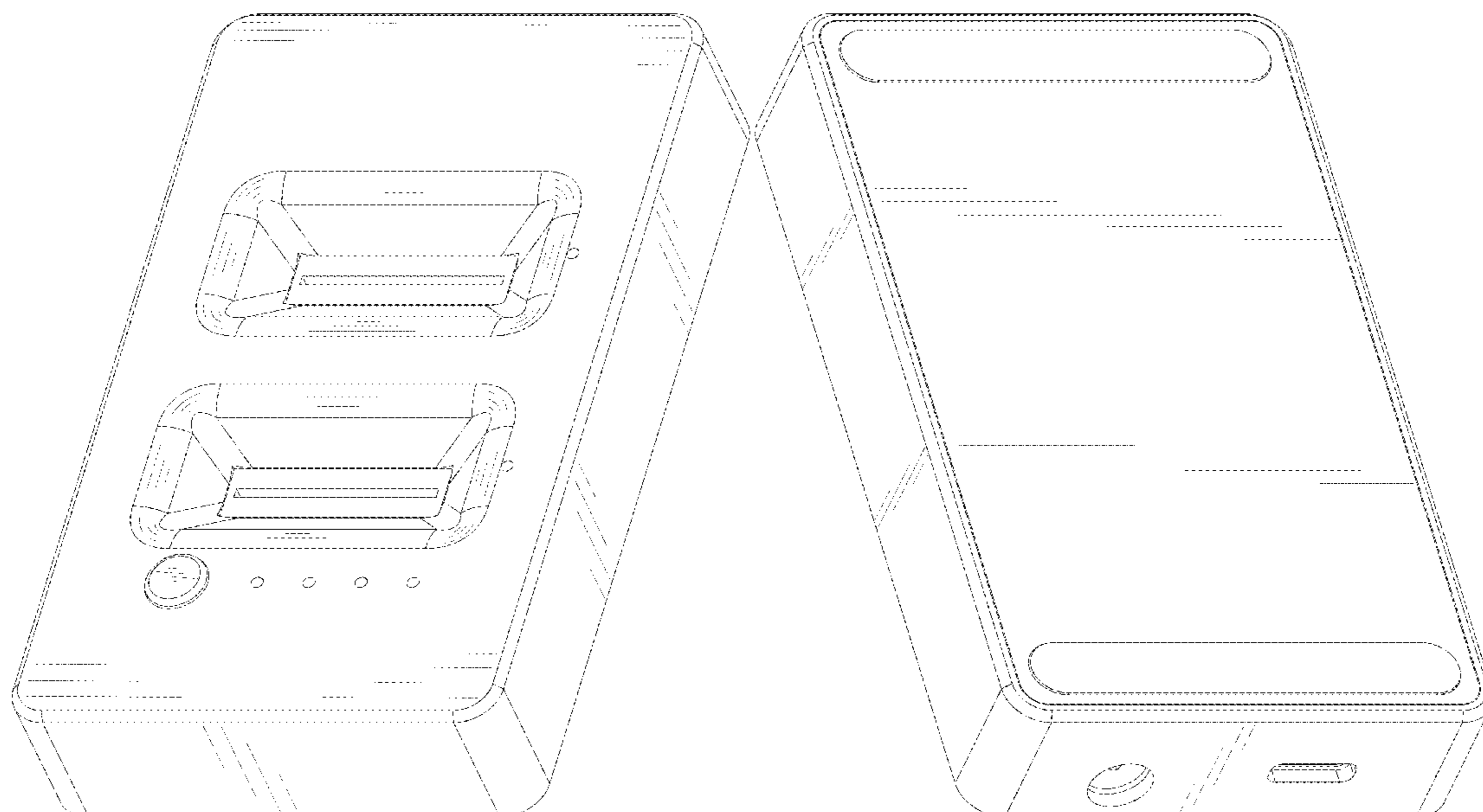
(57) **CLAIM**

The ornamental design for a docking unit for computer, as shown and described.

DESCRIPTION

FIG. 1 is a front perspective view of a docking unit for computer showing my new design;
FIG. 2 is a rear perspective view thereof;
FIG. 3 is a front elevational view thereof;
FIG. 4 is a rear elevational view thereof;
FIG. 5 is a left side elevational view thereof;
FIG. 6 is a right side elevational view thereof;
FIG. 7 is a top plan view thereof; and,
FIG. 8 is a bottom plan view thereof.

1 Claim, 7 Drawing Sheets



(56)

References Cited

U.S. PATENT DOCUMENTS

2007/0217145 A1* 9/2007 Sung G06F 1/1632
361/679.41
2009/0296277 A1* 12/2009 Huang G11B 33/123
360/132
2012/0194132 A1* 8/2012 Ikegame H02J 7/0045
320/113
2019/0006861 A1* 1/2019 Mikami H02J 7/0044

* cited by examiner

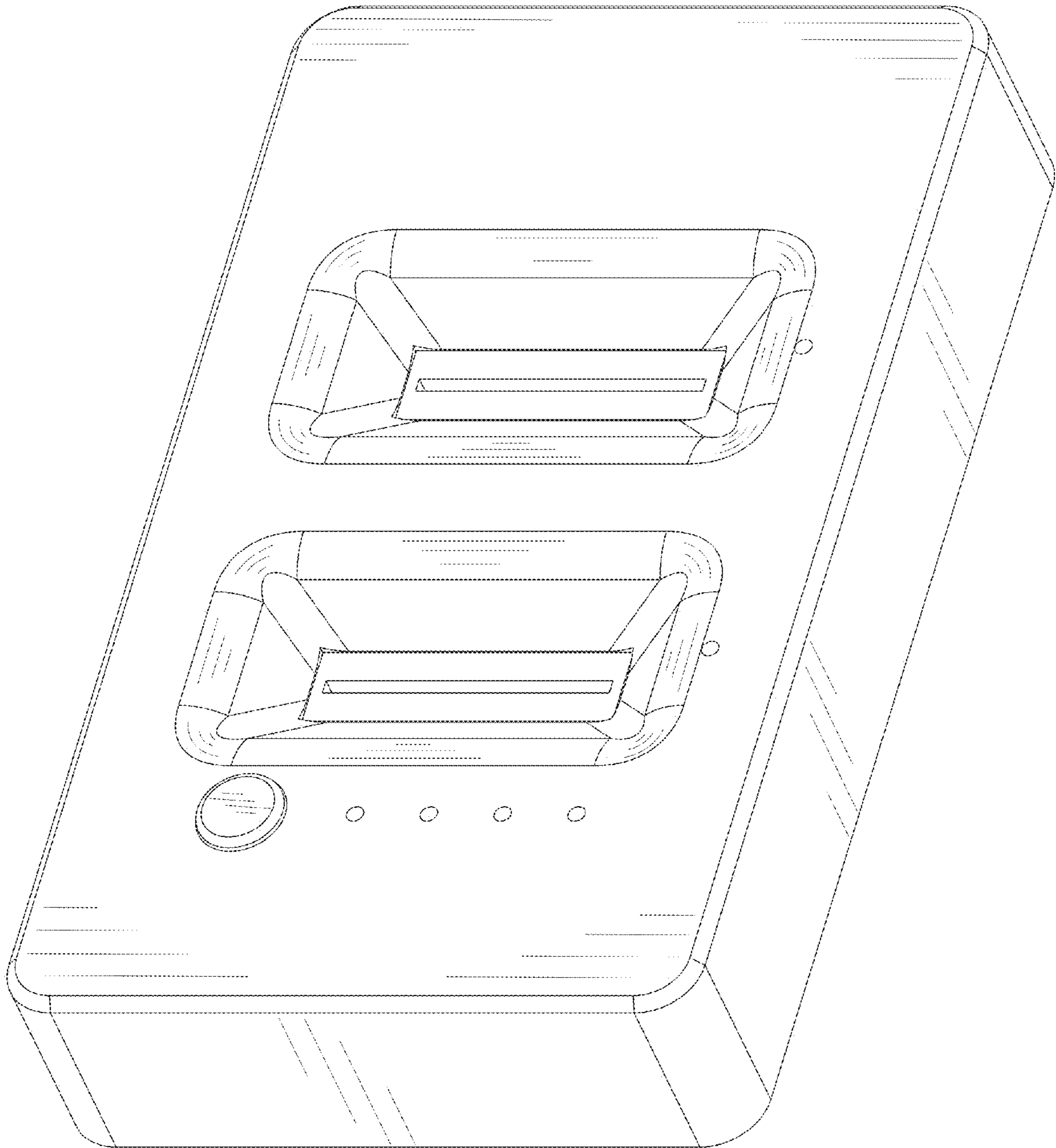


FIG. 1

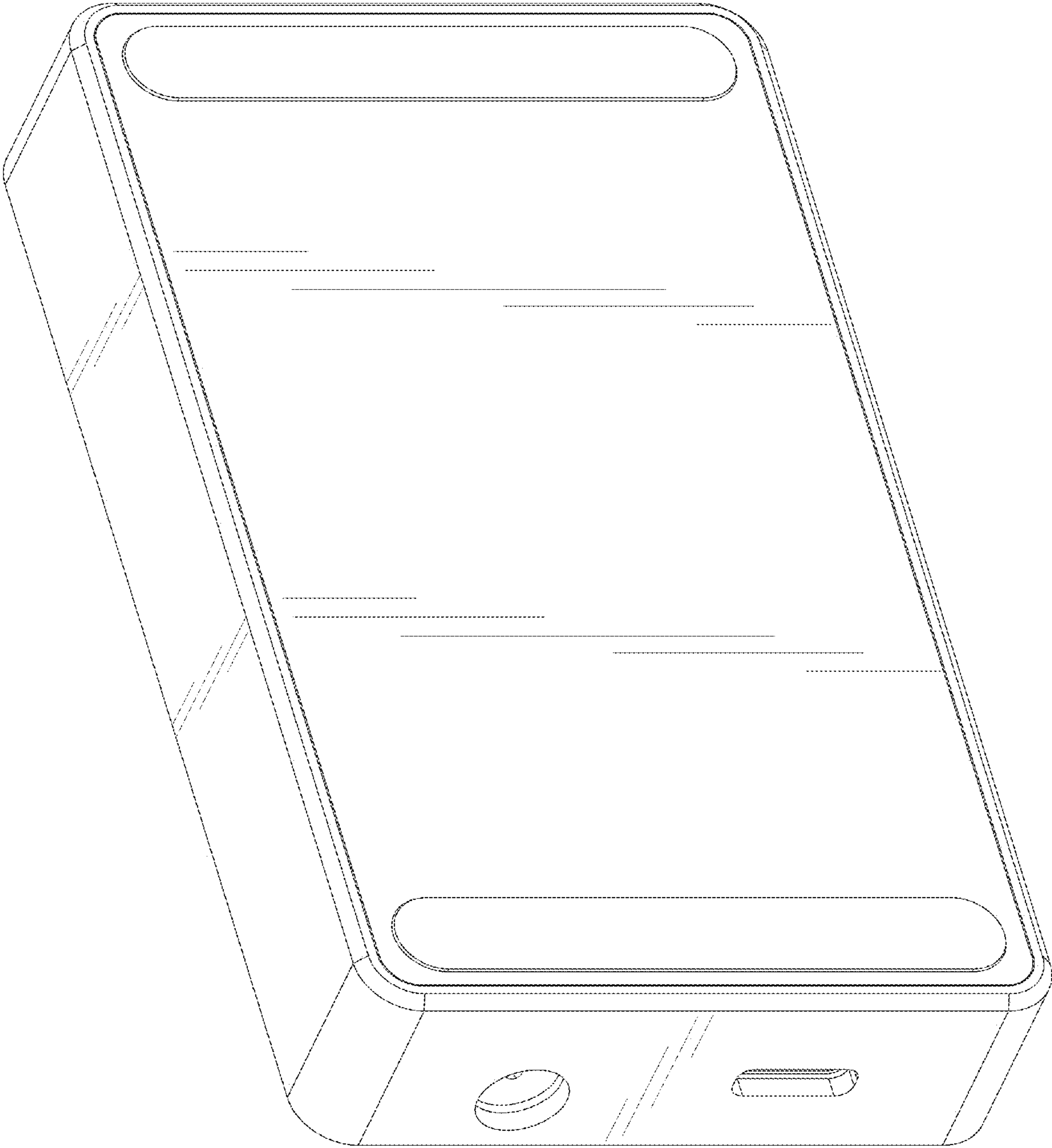


FIG. 2

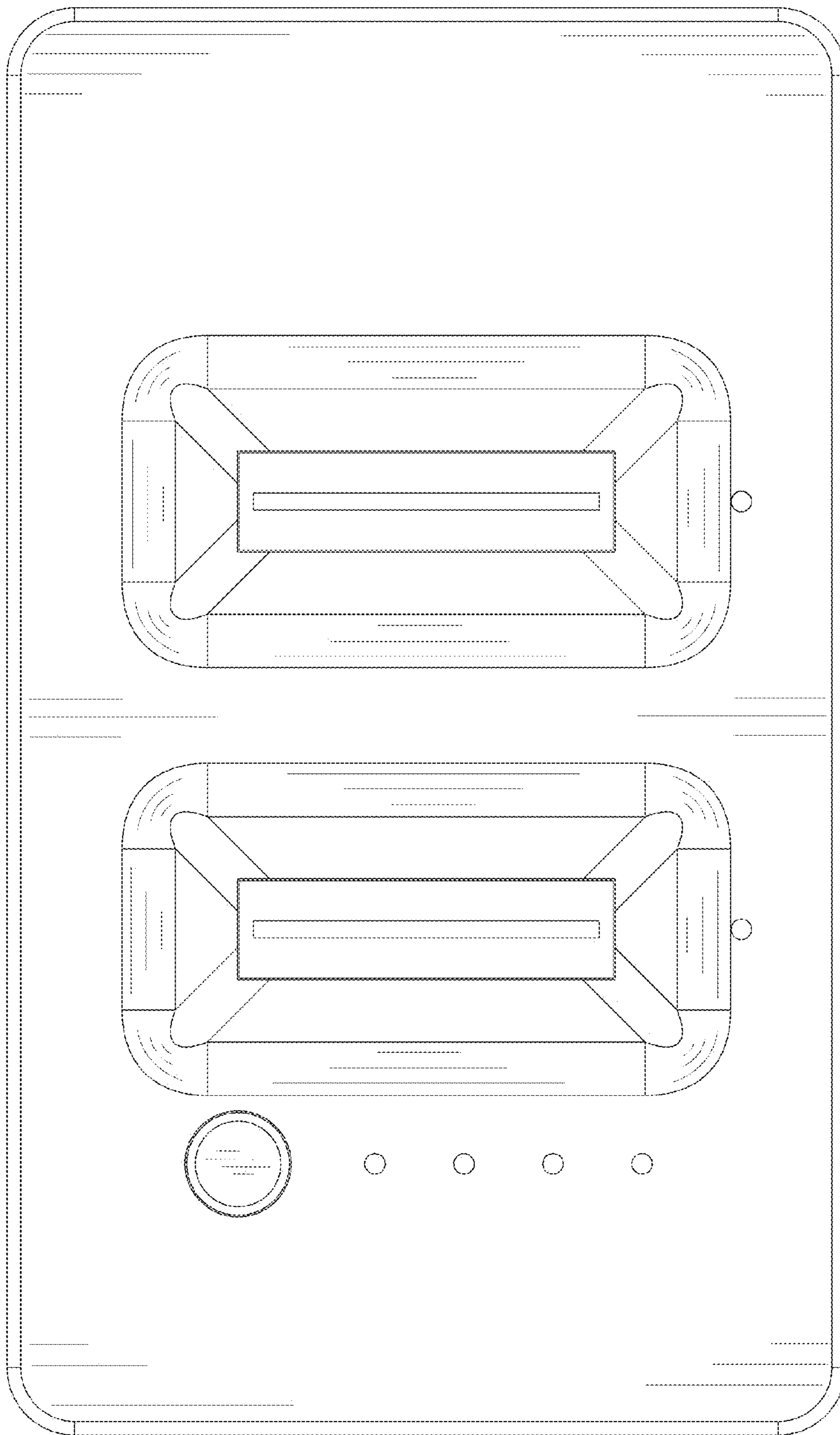


FIG. 3

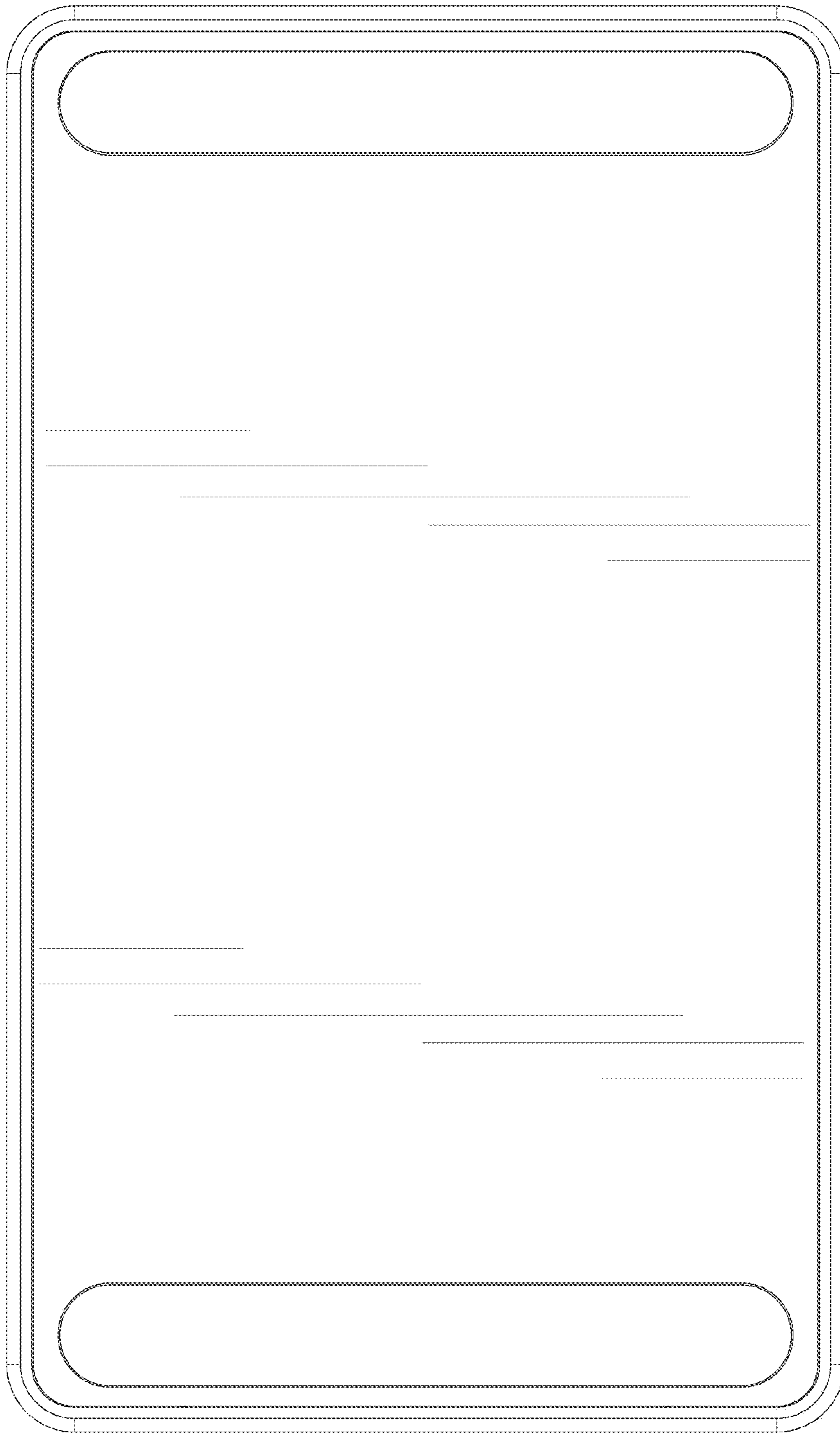


FIG. 4

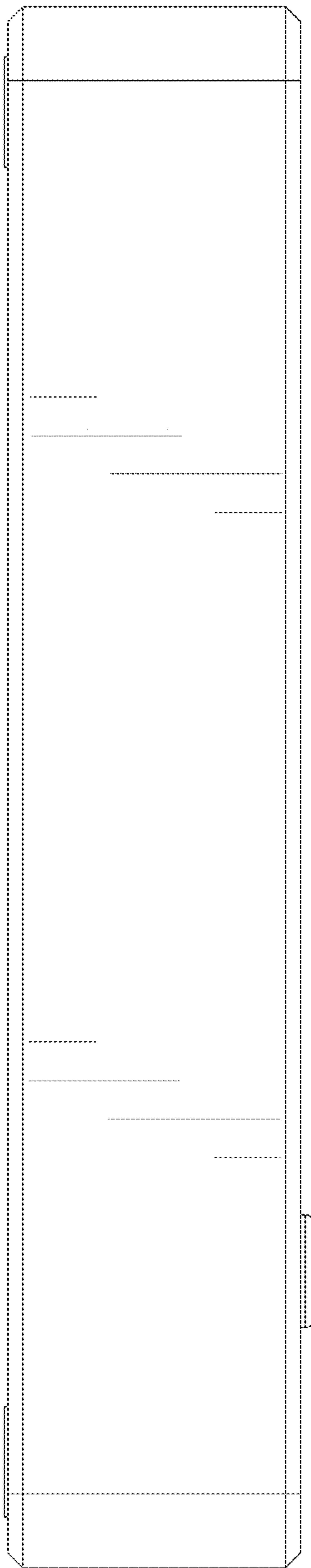


FIG. 5

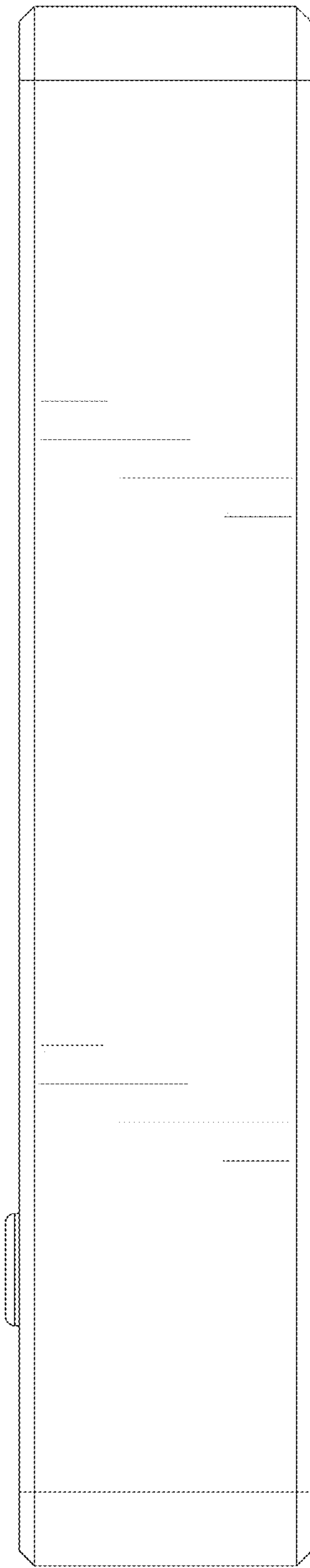


FIG. 6

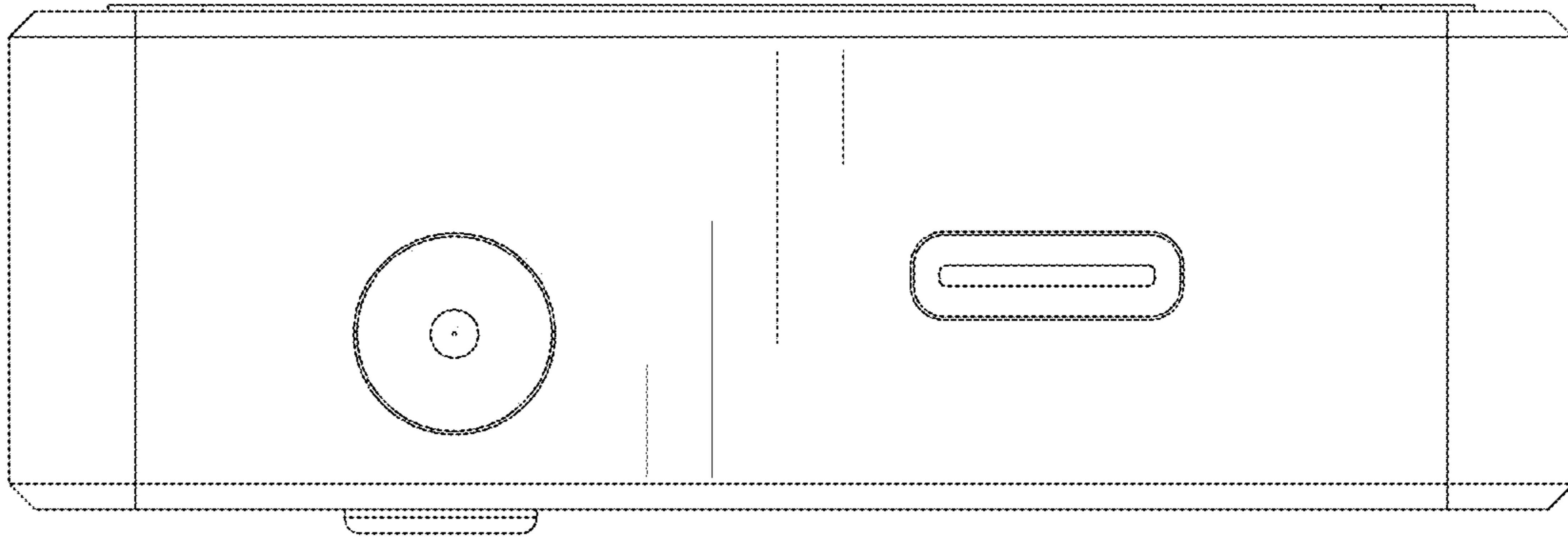


FIG. 7

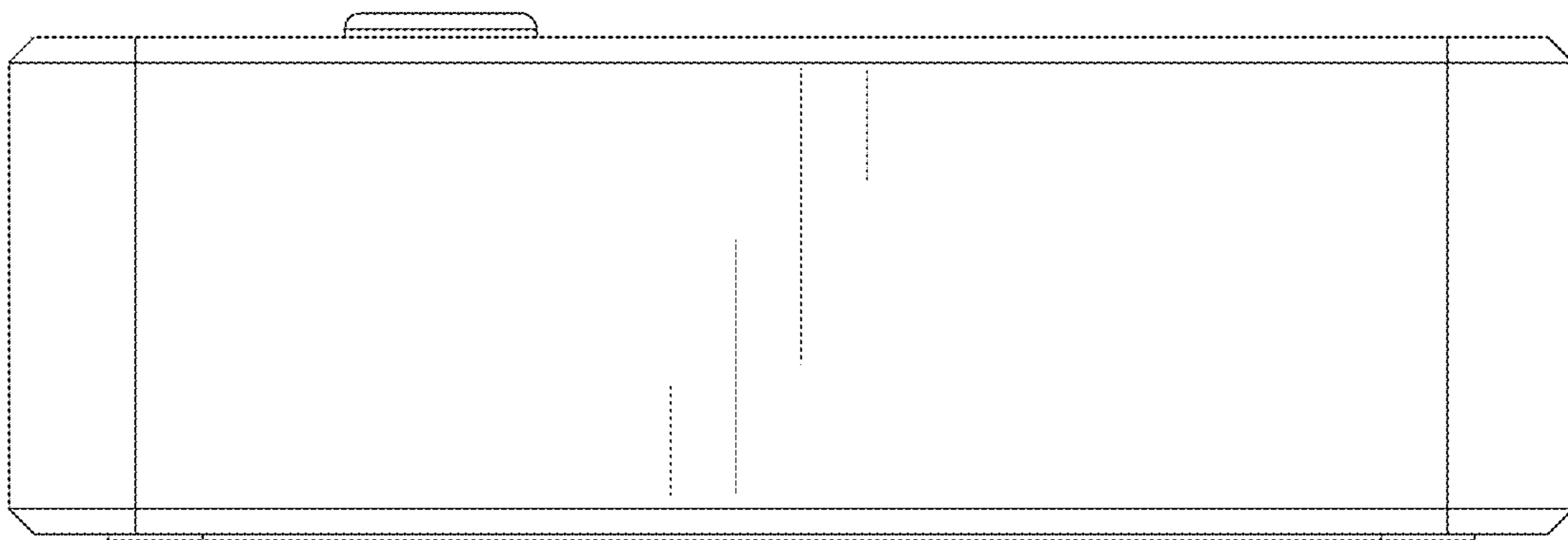


FIG. 8