



US00D922386S

(12) **United States Design Patent**
Shen et al.

(10) **Patent No.:** **US D922,386 S**
(45) **Date of Patent:** **** Jun. 15, 2021**

(54) **DATA CAPTURE DEVICE**

(71) Applicant: **Zebra Technologies Corporation**,
Lincolnshire, IL (US)

(72) Inventors: **Mu-Kai Shen**, Taipei (TW); **Huang Chih Huang**, Taoyuan (TW); **Chandra M. Nair**, Mount Sinai, NY (US); **Mark Thomas Fountain**, London (GB)

(73) Assignee: **Zebra Technologies Corporation**,
Lincolnshire, IL (US)

(**) Term: **15 Years**

(21) Appl. No.: **29/670,718**

(22) Filed: **Nov. 19, 2018**

(51) **LOC (13) Cl.** **14-02**

(52) **U.S. Cl.**
USPC **D14/429**; D14/428

(58) **Field of Classification Search**
USPC D14/420, 426–430, 453, 346, 341, 347,
D14/412, 138 R, 138 AA, 138 C;
D13/107, 184; 358/473; 235/462.43,
235/462.45, 462.47, 462.48, 462.44,
235/462.46, 487, 472.01, 472.02, 145 A,
235/145 R, 385, 440, 383, 454, 462.01;
D10/78, 46, 70, 75, 80; 324/426;
D3/273; 710/73; D18/7; 361/679, 728,
361/679.56, 679.55, 679.59; 382/313,
382/321; 455/575.1, 561, 572, 557, 349,
455/556.1, 556.2, 90.3; 345/156, 168,
345/169, 172, 173, 87; 705/17, 18,
705/22–25; 343/872, 846, 700 MS

CPC G06F 1/626; G06F 1/1626; G06F 1/1656;
G06F 1/1632; G06F 1/1684; G06F
1/1635; G06F 8/63; G06F 17/30091;
G06F 9/4401; G06K 7/10881; G06K
7/1098; G06K 7/10722; G06K 7/1404;
G06K 7/0004; G06K 7/10633; G06K
7/10851; G06K 7/1091; G06K 7/1092;
G06K 7/1093; G06K 7/10; G06K 7/109;
G06K 7/1417; G06K 7/10386; G06K

7/10079; G06K 7/10891; G06K 7/1097;
G06K 7/10366; G06K 7/10425; G06K
7/10376; G06K 7/10396; G06K 7/015;
G06K 7/10316; G06K 9/228; G06K
17/0022; G06K 17/00; G06K 2207/1011;
G06K 2207/1013; G06K 2207/1016;
G06K 2207/1018; G06K 2017/0051;
G06K 2017/0067; G06K

(Continued)

(56) **References Cited**

U.S. PATENT DOCUMENTS

D460,075 S 7/2002 Destefano et al.
D629,001 S 12/2010 Palmer et al.

(Continued)

OTHER PUBLICATIONS

The MC9200 Mobile Computer: The Gold Standard for Mobility in Demanding Environments; published Feb. 21, 2018.

Primary Examiner — Susan Moon Lee

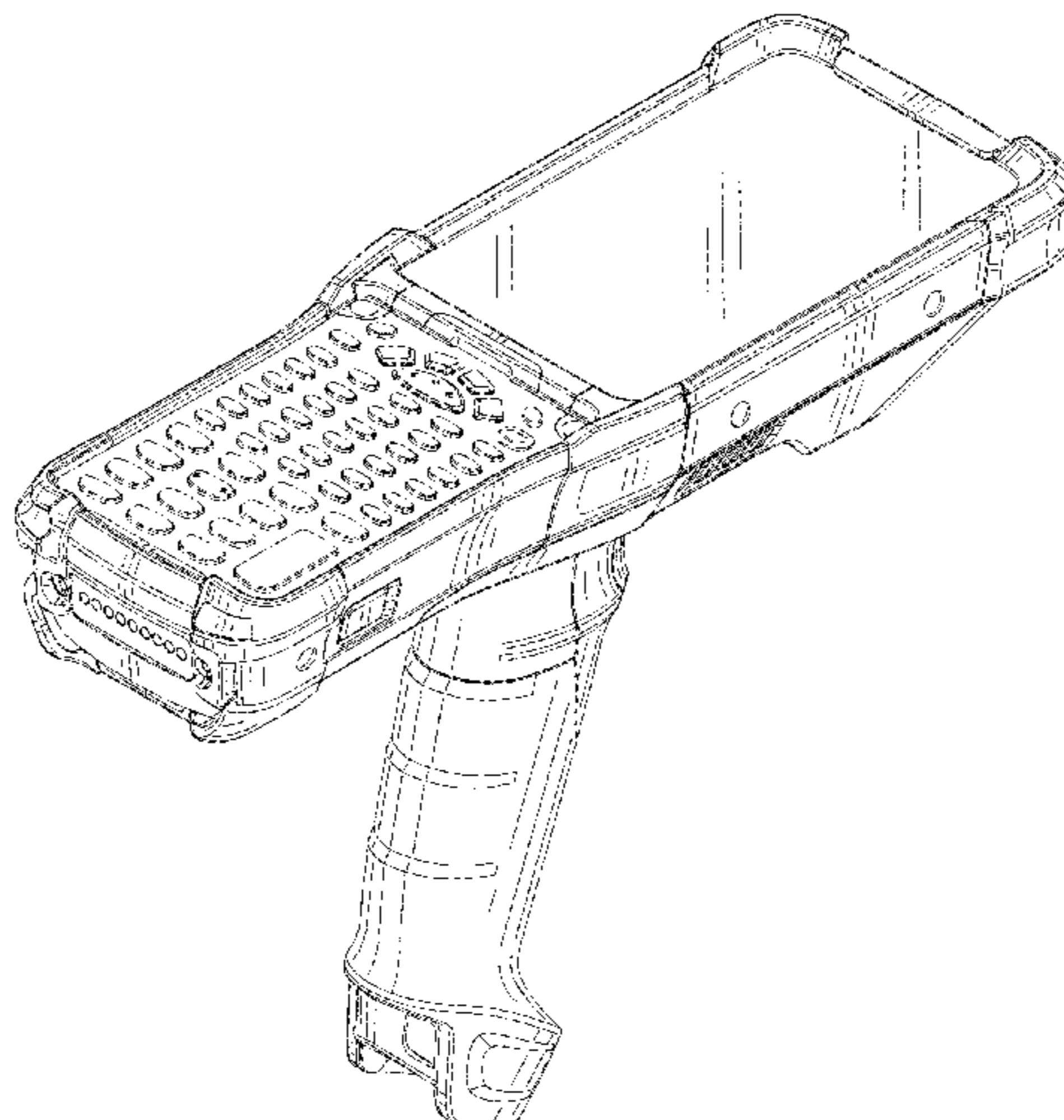
(57) **CLAIM**

We claim the ornamental design for a data capture device, as shown and described.

DESCRIPTION

FIG. 1 is a front perspective view of an example data capture device;
FIG. 2 is a rear perspective view thereof;
FIG. 3 is a first side view thereof;
FIG. 4 is a second side view thereof;
FIG. 5 is top view thereof;
FIG. 6 is bottom view thereof;
FIG. 7 is a rear view thereof; and,
FIG. 8 is a front view thereof.
Broken lines of a particular embodiment are for purposes of illustrating environment and form no part of the claimed design.

1 Claim, 8 Drawing Sheets



(58) **Field of Classification Search**

CPC 2007/10524; G06K 2007/10534; G06K
 2007/10544; G06K 19/0723; G06K
 7/1095; G06K 7/089; G06K 7/10821;
 G07G 1/0081; G07G 1/009; G06Q 20/20;
 G06Q 20/201; G06Q 20/202; G06Q
 20/203; G06Q 20/30; G06Q 20/32; G06Q
 20/322; G06Q 20/4014; G06Q 10/087;
 H04N 1/00127; H04N 1/00135; H04N
 1/00326; H04N 1/00334; H04N 1/00307;
 H04N 1/107; H04N 2201/0084; H04N
 2101/00; H04M 1/0249; H04M 1/0262;
 H04M 1/0266; H04M 1/18; H04M 1/23;
 H04M 1/236; H04B 1/3827; H04B
 1/3833; H04B 1/3877; H04B 1/3883;
 H04B 1/3888; H04B 2001/3894; H01M
 2/1066; H01Q 1/42; H01Q 1/2216; H01Q
 1/20; H01Q 1/22; H01Q 1/2208; H01Q
 1/2258; H01Q 1/241; H01Q 1/242; H01Q
 1/244; H01Q 1/27; H01Q 1/273; H01Q
 9/16; H01Q 9/285; H01Q 19/28; Y10T
 29/49016

See application file for complete search history.

(56) **References Cited**

U.S. PATENT DOCUMENTS

D634,744 S 3/2011 Palmer et al.
 7,903,033 B2* 3/2011 Bellows H01Q 1/242
 343/702
 D638,422 S * 5/2011 Reed D14/347
 7,992,787 B2* 8/2011 Mangaroo H05K 5/0247
 235/472.01
 8,025,236 B2* 9/2011 Mangaroo G06K 7/10881
 235/472.01
 8,088,507 B2* 1/2012 Su H04M 1/0262
 429/97
 D661,306 S * 6/2012 Cullen D14/426
 D662,099 S * 6/2012 Cullen D14/426
 8,199,489 B2* 6/2012 Mangaroo G06F 1/1626
 361/679.55
 D664,145 S * 7/2012 Cullen D14/426
 D673,955 S * 1/2013 Mangaroo D14/429
 D676,080 S * 2/2013 Van Den Broecke D18/14
 D676,850 S * 2/2013 Minafo D14/429
 D677,663 S * 3/2013 Minafo D14/429
 8,567,682 B2* 10/2013 Boyd G06K 7/10
 235/472.01

8,587,595 B2* 11/2013 Wang G06K 7/1417
 345/505
 D697,067 S * 1/2014 Minafo D14/429
 D704,711 S * 5/2014 Minafo D14/426
 D716,307 S * 10/2014 Paufler D14/426
 D753,119 S * 4/2016 Paufler D14/426
 D774,507 S * 12/2016 Borgini D14/347
 D792,407 S * 7/2017 Fitch D14/426
 D835,107 S * 12/2018 Memke D14/426
 2003/0006998 A1* 1/2003 Kumar G06F 3/0202
 715/700
 2005/0001037 A1* 1/2005 Wulff G06F 1/1656
 235/462.43
 2006/0054704 A1* 3/2006 Fitch G06F 1/1684
 235/472.01
 2006/0266841 A1* 11/2006 Hansen G06F 1/1684
 235/472.02
 2007/0158429 A1* 7/2007 Bhatia G06K 7/1098
 235/462.45
 2008/0006699 A1* 1/2008 Hattersley G06K 7/1098
 235/472.01
 2008/0123262 A1* 5/2008 Coleman G06F 1/1635
 361/679.08
 2008/0128499 A1* 6/2008 Chen G06K 7/10851
 235/444
 2008/0203167 A1* 8/2008 Soule G06F 16/13
 235/462.01
 2008/0297479 A1* 12/2008 Yeh G06F 1/1626
 345/169
 2009/0168337 A1* 7/2009 Conti G06F 1/1656
 361/679.56
 2009/0224039 A1* 9/2009 Hause G06K 7/0004
 235/385
 2009/0270136 A1* 10/2009 Su H04M 1/0262
 455/572
 2012/0118969 A1* 5/2012 Zolotov G06K 7/10722
 235/462.04
 2012/0120612 A1* 5/2012 Tran G02B 6/4463
 361/730
 2012/0312877 A1* 12/2012 Zolotov G06K 7/10841
 235/462.04
 2013/0341399 A1* 12/2013 Xian G06K 7/10881
 235/449
 2014/0185234 A1* 7/2014 Lee H04M 1/236
 361/679.56
 2014/0217180 A1* 8/2014 Liu E05B 73/0005
 235/472.01
 2014/0249942 A1* 9/2014 Hicks G06Q 20/20
 705/17

* cited by examiner

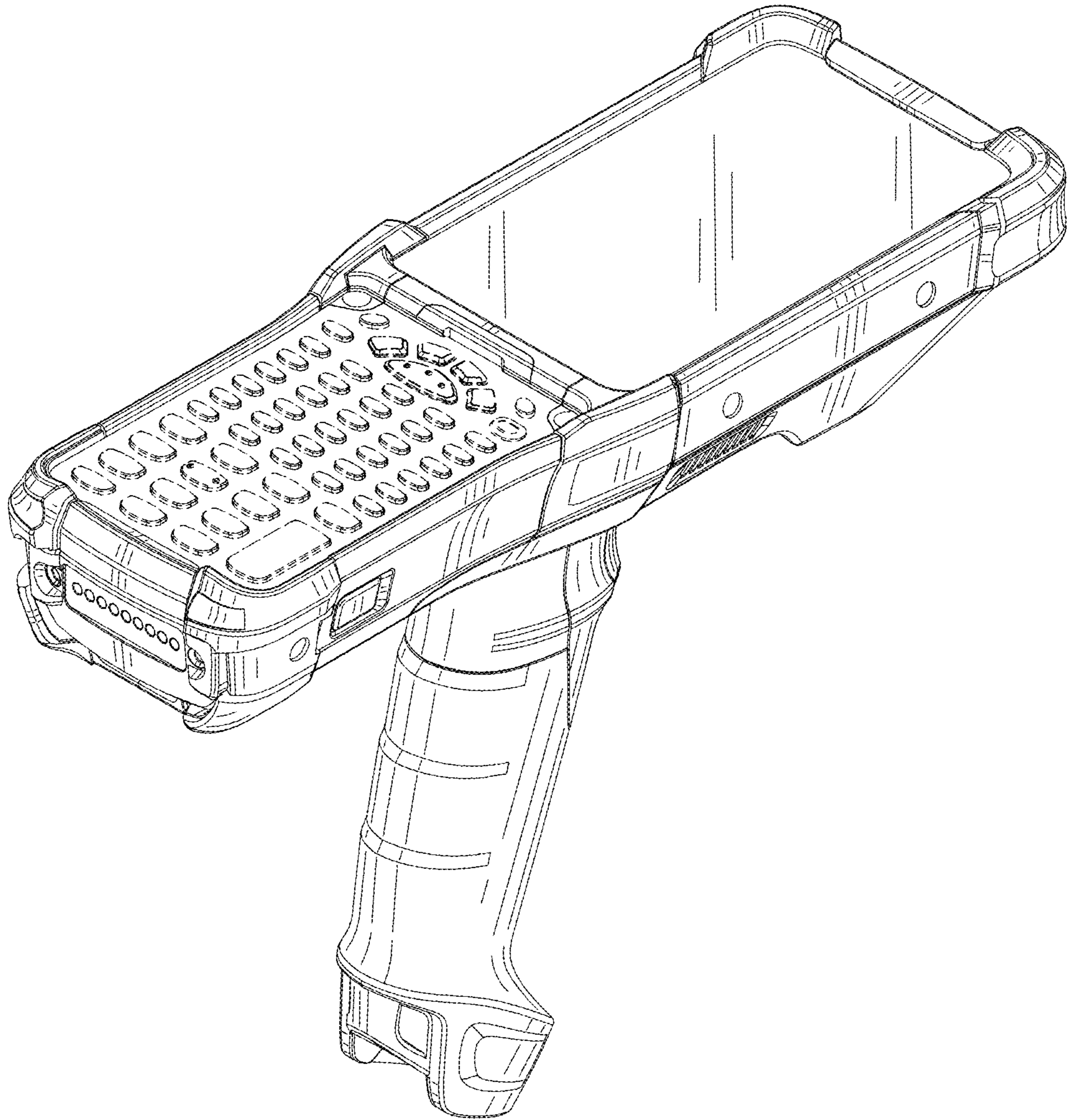


FIG. 1

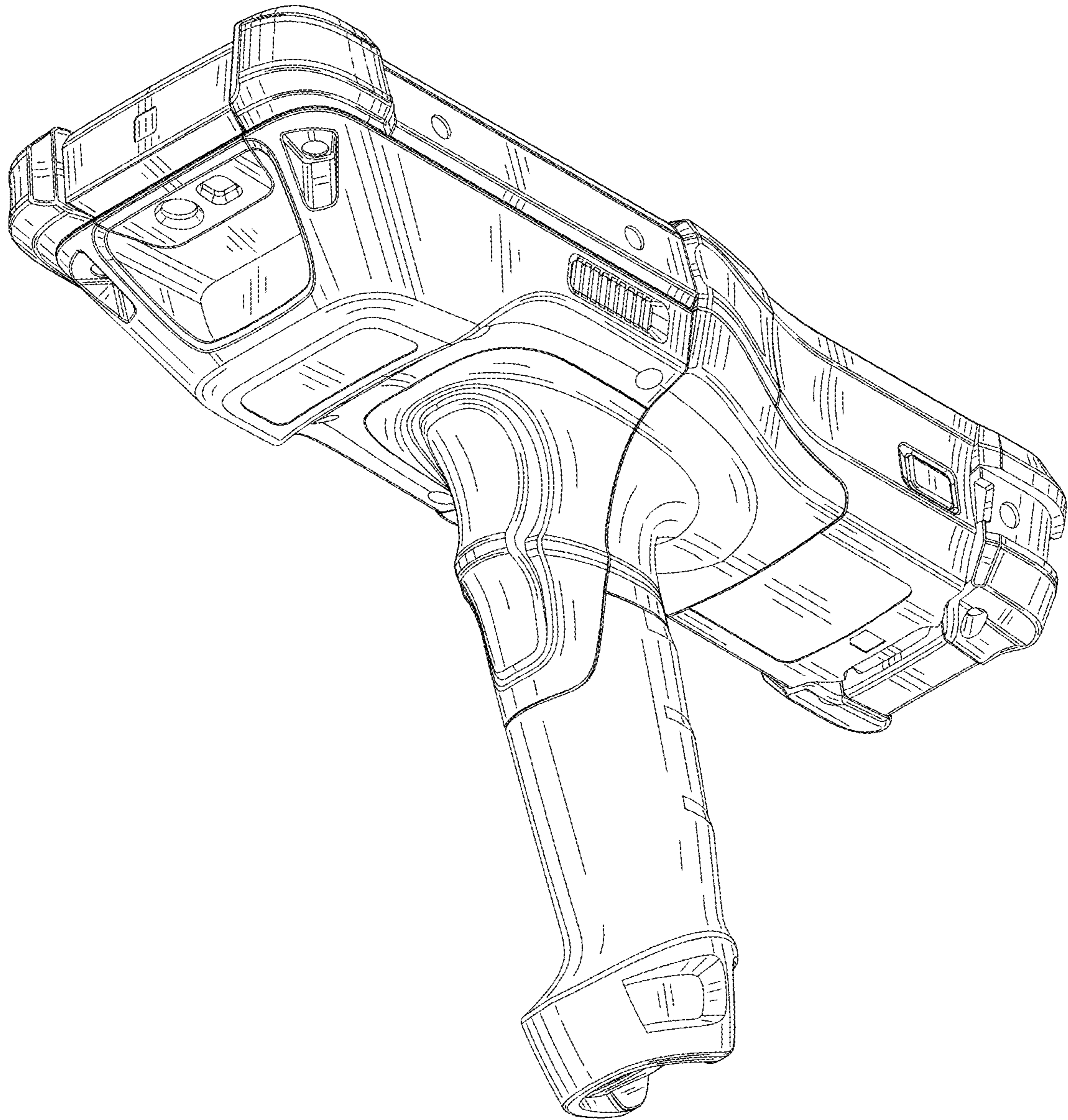


FIG. 2

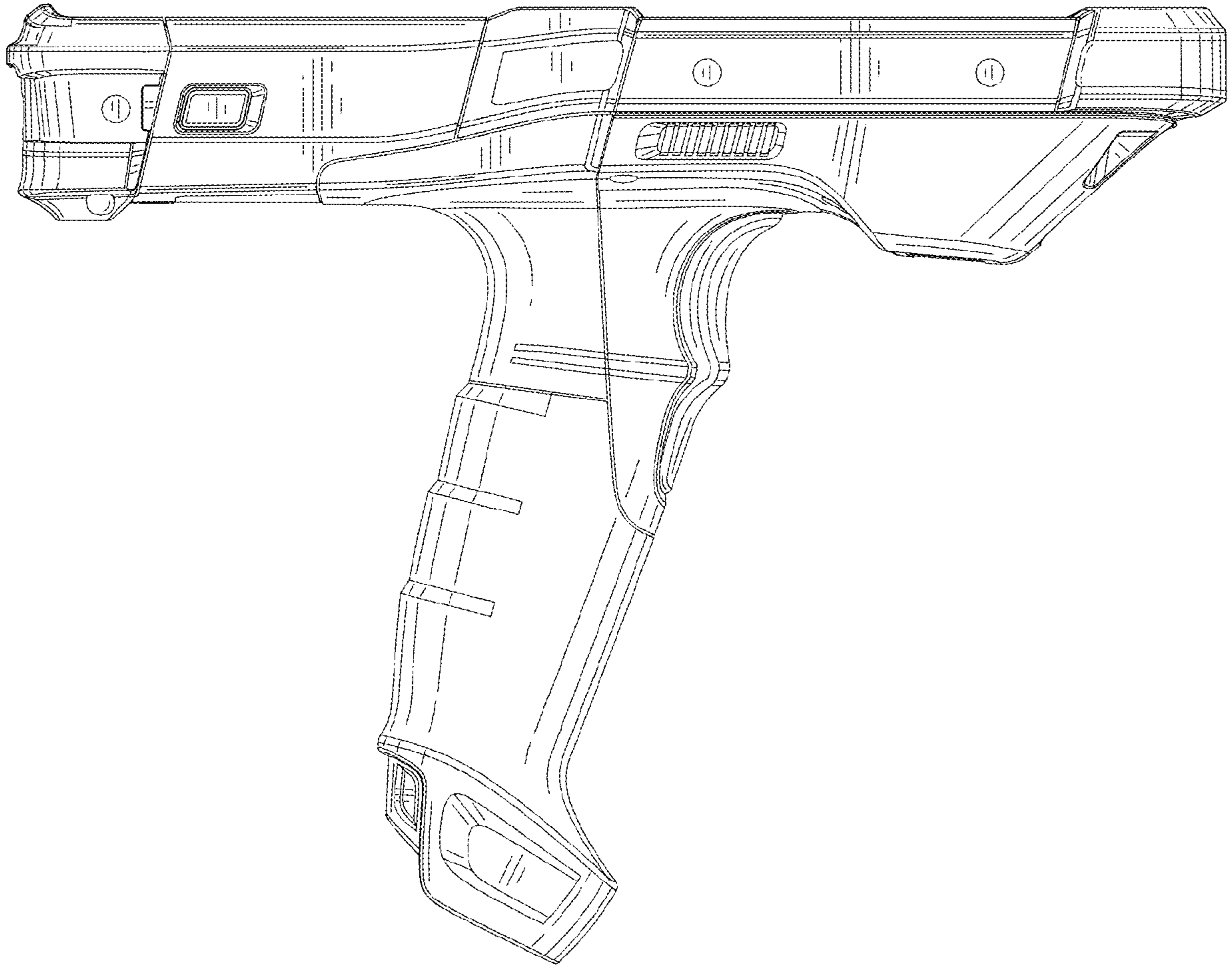


FIG. 3

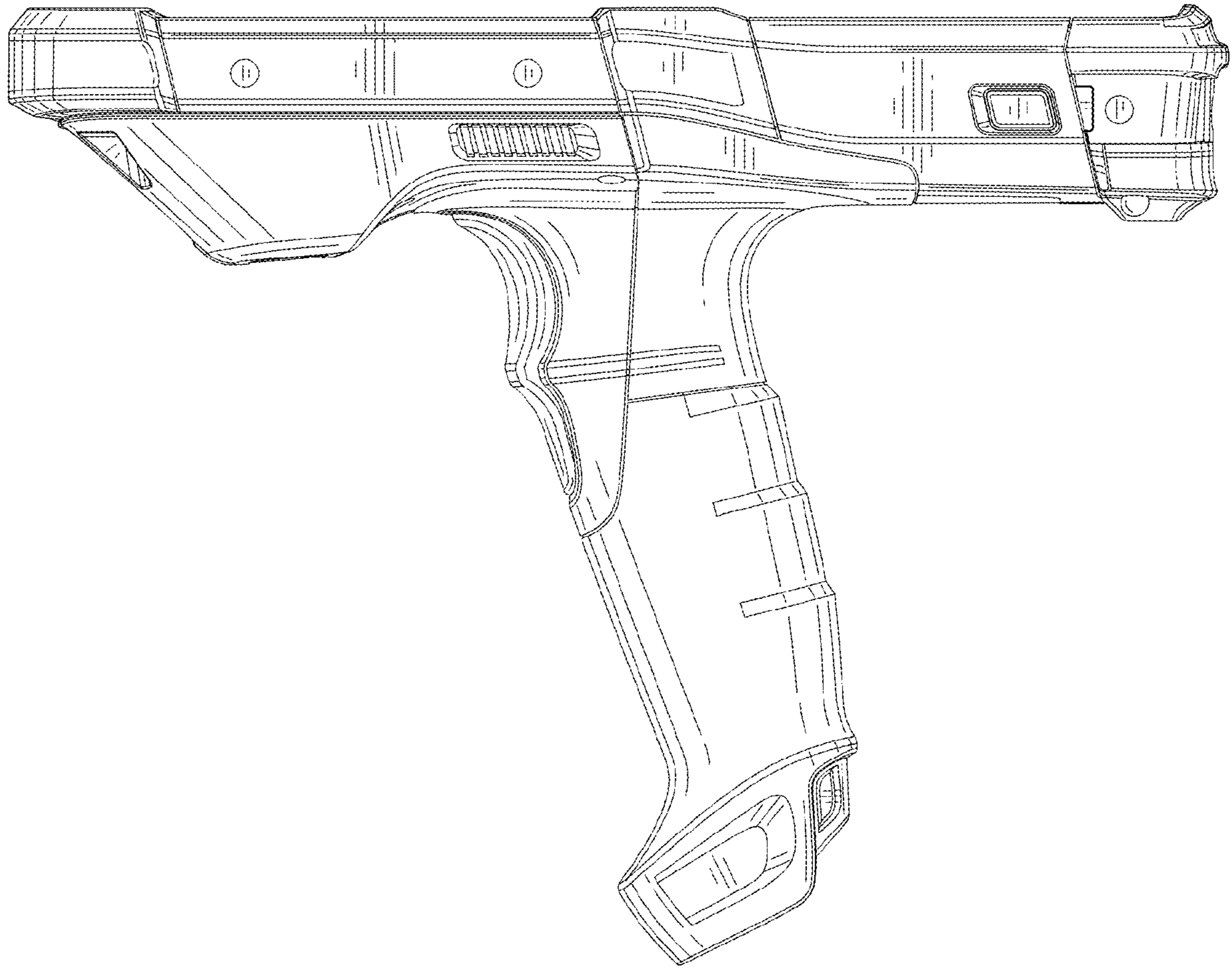


FIG. 4

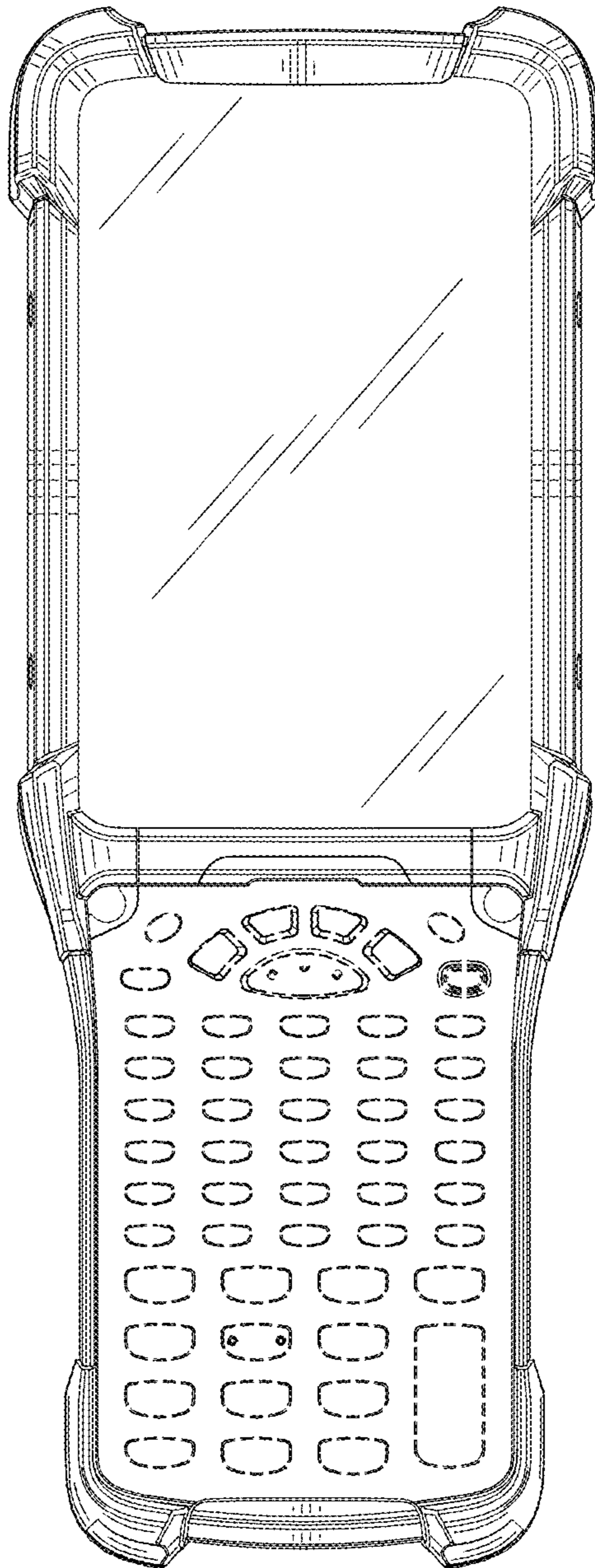


FIG. 5

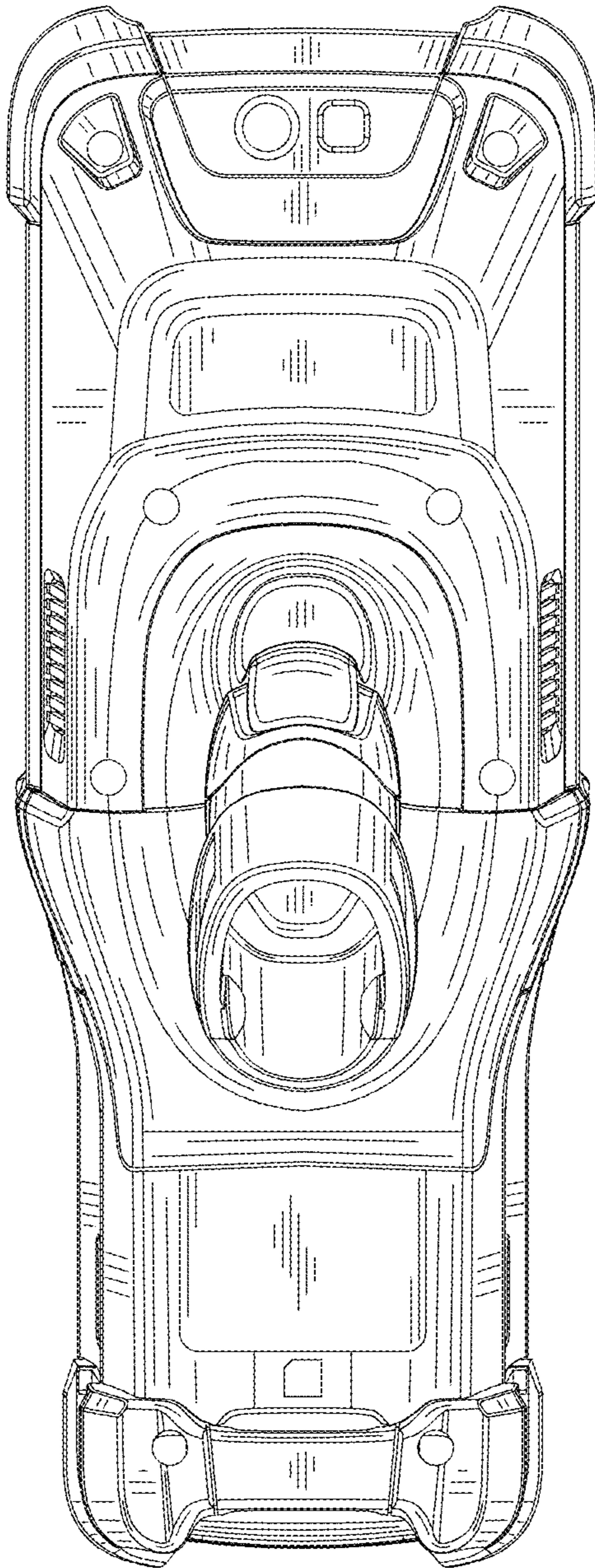


FIG. 6

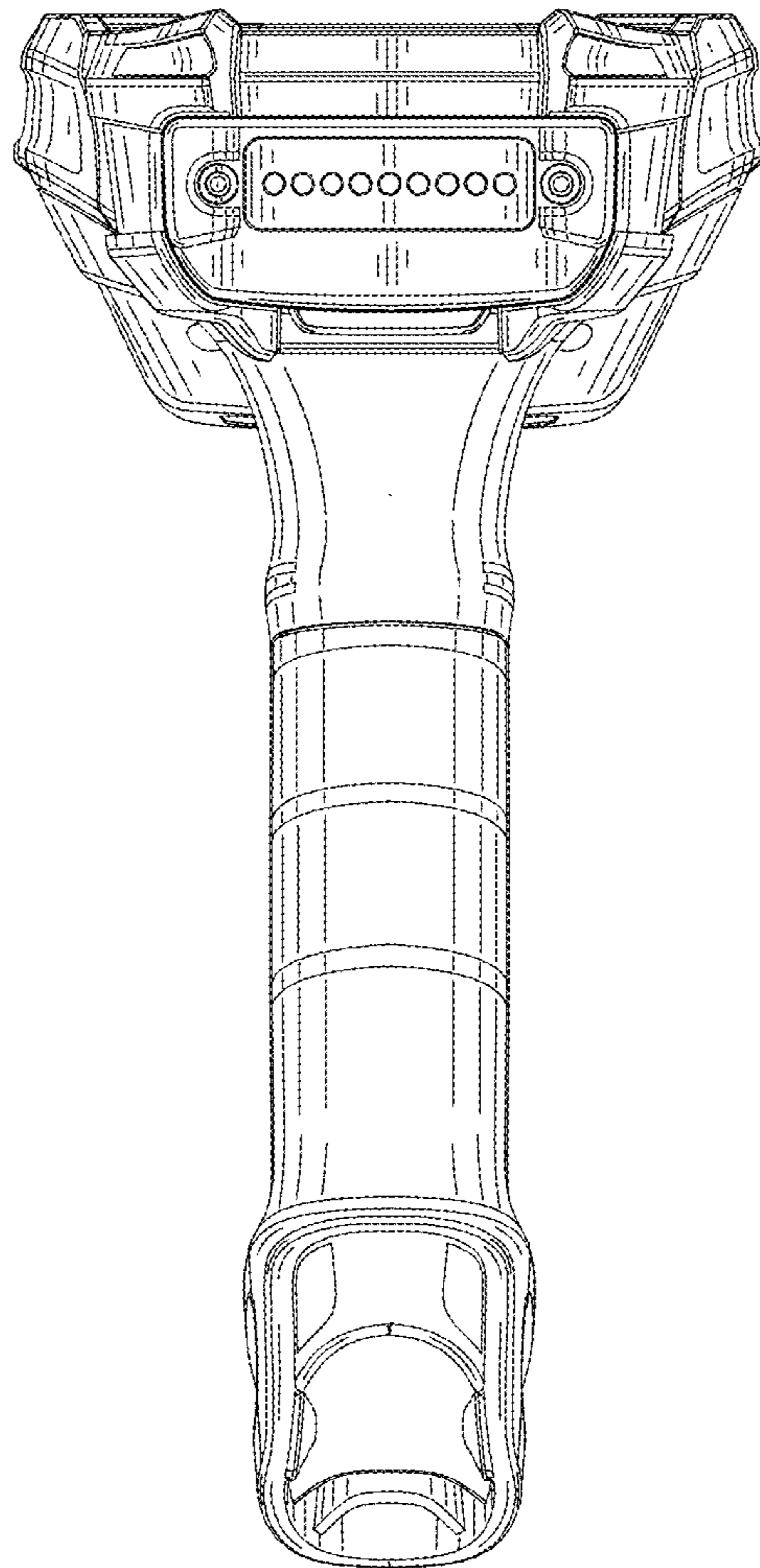


FIG. 7

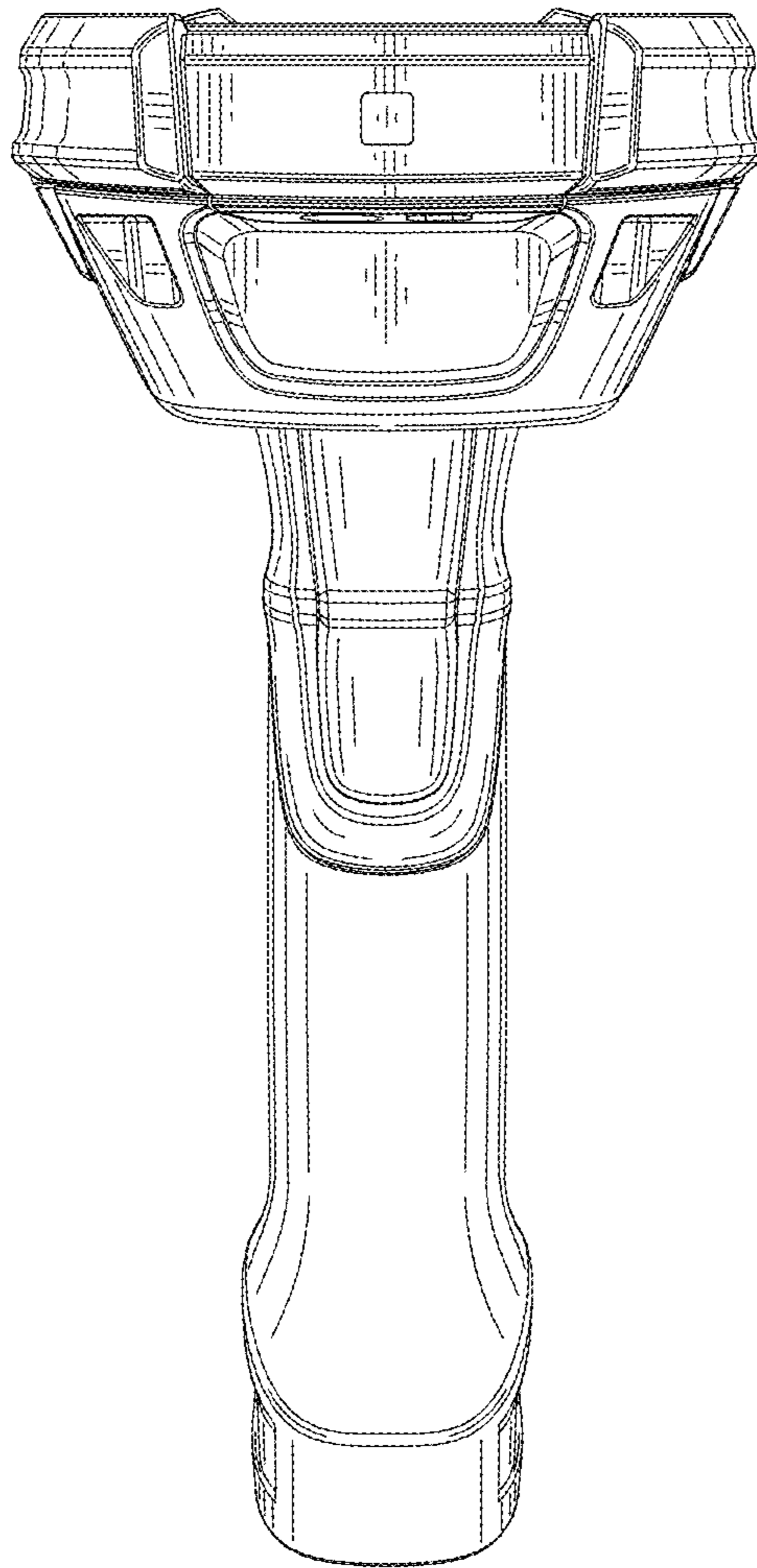


FIG. 8