



US00D922381S

(12) **United States Design Patent**
Mills et al.

(10) **Patent No.:** **US D922,381 S**
(45) **Date of Patent:** **** Jun. 15, 2021**

(54) **CORDLESS PERIPHERAL FOR WIRELESS DATA EXCHANGE**

(74) *Attorney, Agent, or Firm* — PatentVentures; Bennett Smith; Korbin Van Dyke

(71) Applicant: **SOCKET MOBILE, INC.**, Newark, CA (US)

(57) **CLAIM**

The ornamental design for a cordless peripheral for wireless data exchange, as shown and described.

(72) Inventors: **Kevin J. Mills**, Palo Alto, CA (US); **Cj Silver**, Fremont, CA (US); **Vincent J. Coli**, Mountain View, CA (US); **James William Rebello**, Livermore, CA (US); **Edward Raphael Toro**, San Jose, CA (US)

DESCRIPTION

(73) Assignee: **Socket Mobile, Inc.**, Newark, CA (US)

FIG. 1 is a perspective view of a cordless peripheral for wireless data exchange, showing a first embodiment of our new design;

(**) Term: **15 Years**

FIG. 2 is a top view thereof;

(21) Appl. No.: **29/707,558**

FIG. 3 is a bottom view thereof;

(22) Filed: **Sep. 29, 2019**

FIG. 4 is a front view thereof;

(51) **LOC (13) Cl.** **14-02**

FIG. 5 is a side view thereof, the other side view thereof being a mirror image;

(52) **U.S. Cl.**

FIG. 6 is a rear view thereof;

USPC **D14/358**

FIG. 7 is a perspective view of a cordless peripheral for wireless data exchange, showing a second embodiment of our new design;

(58) **Field of Classification Search**

FIG. 8 is a top view thereof;

USPC D14/348, 351, 356, 357, 358, 240, 242, D14/125, 129, 130, 142, 155, 167, 168, D14/172, 188, 195, 299, 496, 197, 198, D14/230, 383, 385; D9/414, 632, 302, D9/503

FIG. 9 is a bottom view thereof;

CPC ... H04W 88/00; H04W 88/005; H04W 88/02; H04W 88/08; H04W 88/085; H04W 88/10;

FIG. 10 is a front view thereof;

(Continued)

FIG. 11 is a side view thereof, the other side view thereof being a mirror image; and,

(56) **References Cited**

U.S. PATENT DOCUMENTS

FIG. 12 is a rear view thereof.

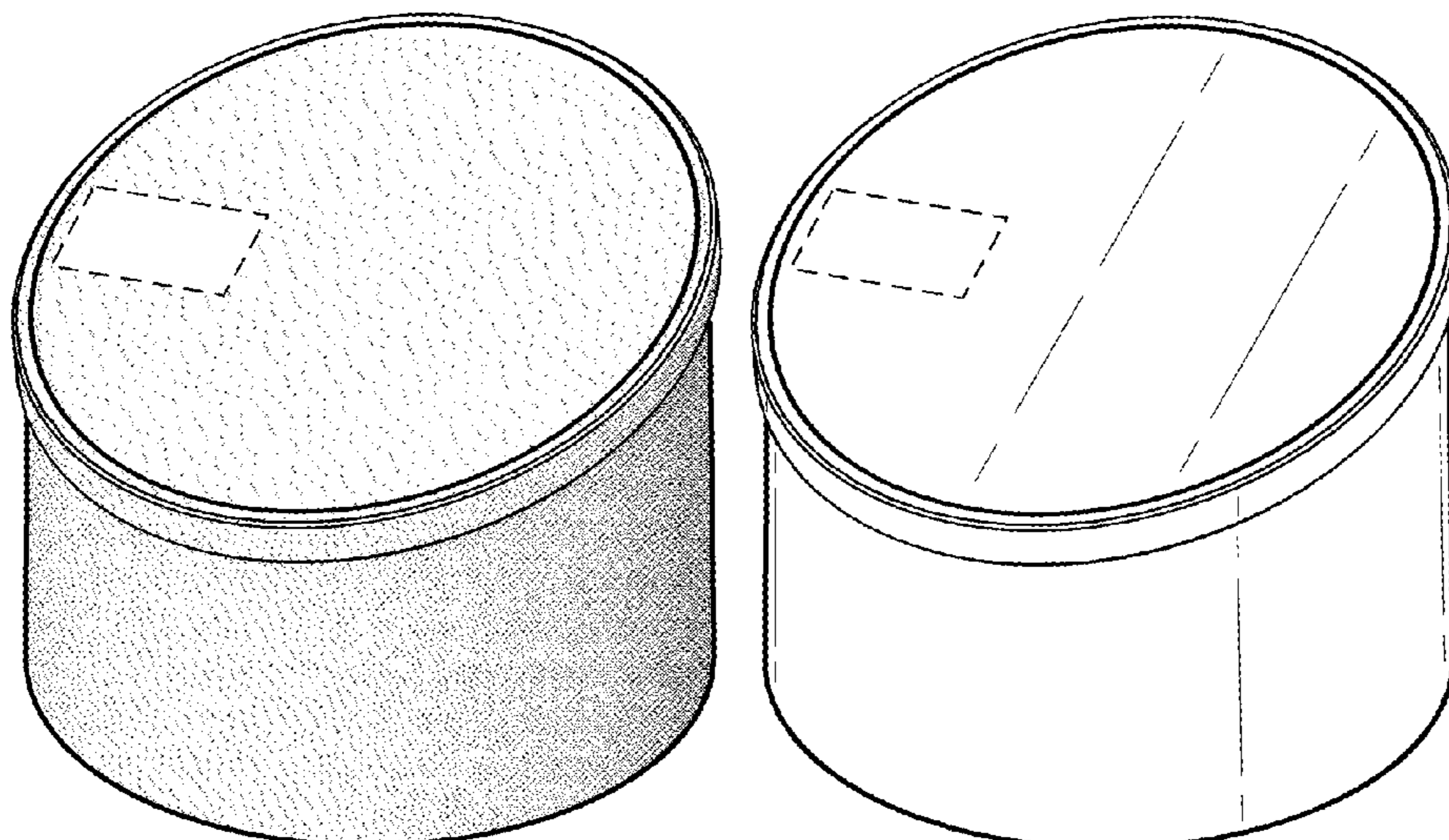
D96,018 S * 6/1935 Cannon D14/251
D287,127 S * 12/1986 Yuen 379/443
D391,943 S * 3/1998 Han D14/356

No pattern, texture, or color are claimed in association with the fine stipple shading (stippling) figurative effects in FIGS. 1-6 or the linear shading figurative effects in FIGS. 7-12. The figurative effects portray various illusions (e.g., varying degrees of surface shadow, or surface highlights), meant to distinguish the nature of various areas (e.g., as solid vs. open, and their direction and degree of curvature, if any), and thereby clarify the character and contour of all surfaces of any 3-dimensional aspects of the design. In FIGS. 1-12, broken lines and unshaded portions contained within broken lines depict portions of the cordless peripheral for wireless data exchange that form no part of the claimed design. Perspective views are not drawn to scale.

(Continued)

Primary Examiner — Marie D. Fast Horse

1 Claim, 4 Drawing Sheets



- (58) **Field of Classification Search**
 CPC H04W 88/12; H04W 88/14; H04W 88/16;
 H04W 88/18; H04W 4/00
 See application file for complete search history.

(56) **References Cited**

U.S. PATENT DOCUMENTS

D490,840 S * 6/2004 Arakaki D18/12
 D542,279 S * 5/2007 Chan D14/217
 D560,219 S * 1/2008 Yamakawa D14/385
 D569,866 S * 5/2008 Turpault D14/385
 D570,348 S * 6/2008 Turpault D14/385
 D640,976 S * 7/2011 Matsuoka D13/108
 D643,844 S * 8/2011 Akana D14/447
 D662,939 S * 7/2012 Akana D14/447
 D677,239 S * 3/2013 Todorovitch D14/168
 D687,809 S * 8/2013 Bergmann D14/209.1
 D720,752 S * 1/2015 Bleads D14/420
 D725,285 S * 3/2015 Wohlstadter D24/216
 D726,156 S * 4/2015 Gillespie-Brown D14/216
 D747,229 S * 1/2016 Perez D10/104.1
 D751,538 S * 3/2016 Koehler D14/240
 D752,552 S * 3/2016 D'Ascanio D14/216

D773,947 S * 12/2016 Scarcella D10/104.1
 D786,200 S * 5/2017 Lagerstedt D14/358
 D802,462 S * 11/2017 Morneau D10/101
 D804,568 S * 12/2017 Kessler D18/4.6
 D808,926 S * 1/2018 Kim D14/216
 D812,003 S * 3/2018 Lee D13/110
 D812,004 S * 3/2018 Lee D13/110
 D812,565 S * 3/2018 Lee D13/110
 D829,714 S * 10/2018 Robinson D14/358
 D841,632 S * 2/2019 Eun D14/242
 D854,950 S * 7/2019 Seum D10/53
 D859,401 S * 9/2019 Kim D14/358
 D865,859 S * 11/2019 Ben Avi D18/4.4
 D869,463 S * 12/2019 Gagne-Keats D14/358
 D875,570 S * 2/2020 Hernandez D10/52
 D878,334 S * 3/2020 Alves D14/216
 D879,053 S * 3/2020 Yu D13/168
 D883,970 S * 5/2020 Wang D14/242
 D895,445 S * 9/2020 Lund Henriksen D10/49
 D895,449 S * 9/2020 Lund Henriksen D10/49
 D895,451 S * 9/2020 Lund Henriksen D10/49
 D895,452 S * 9/2020 Lund Henriksen D10/49
 D896,661 S * 9/2020 Lund Henriksen D10/49
 D898,742 S * 10/2020 Kay D14/432

* cited by examiner

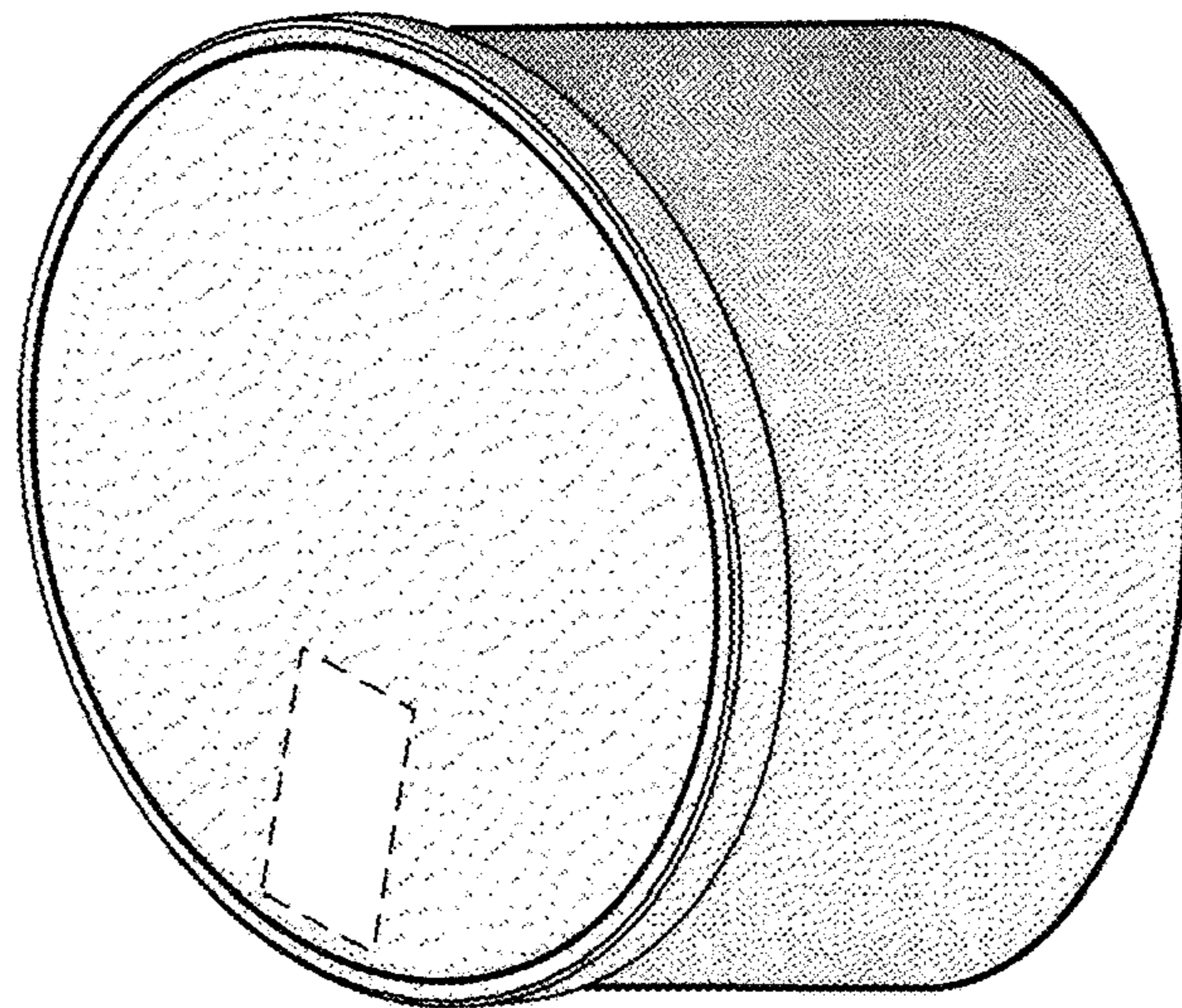


Fig. 1

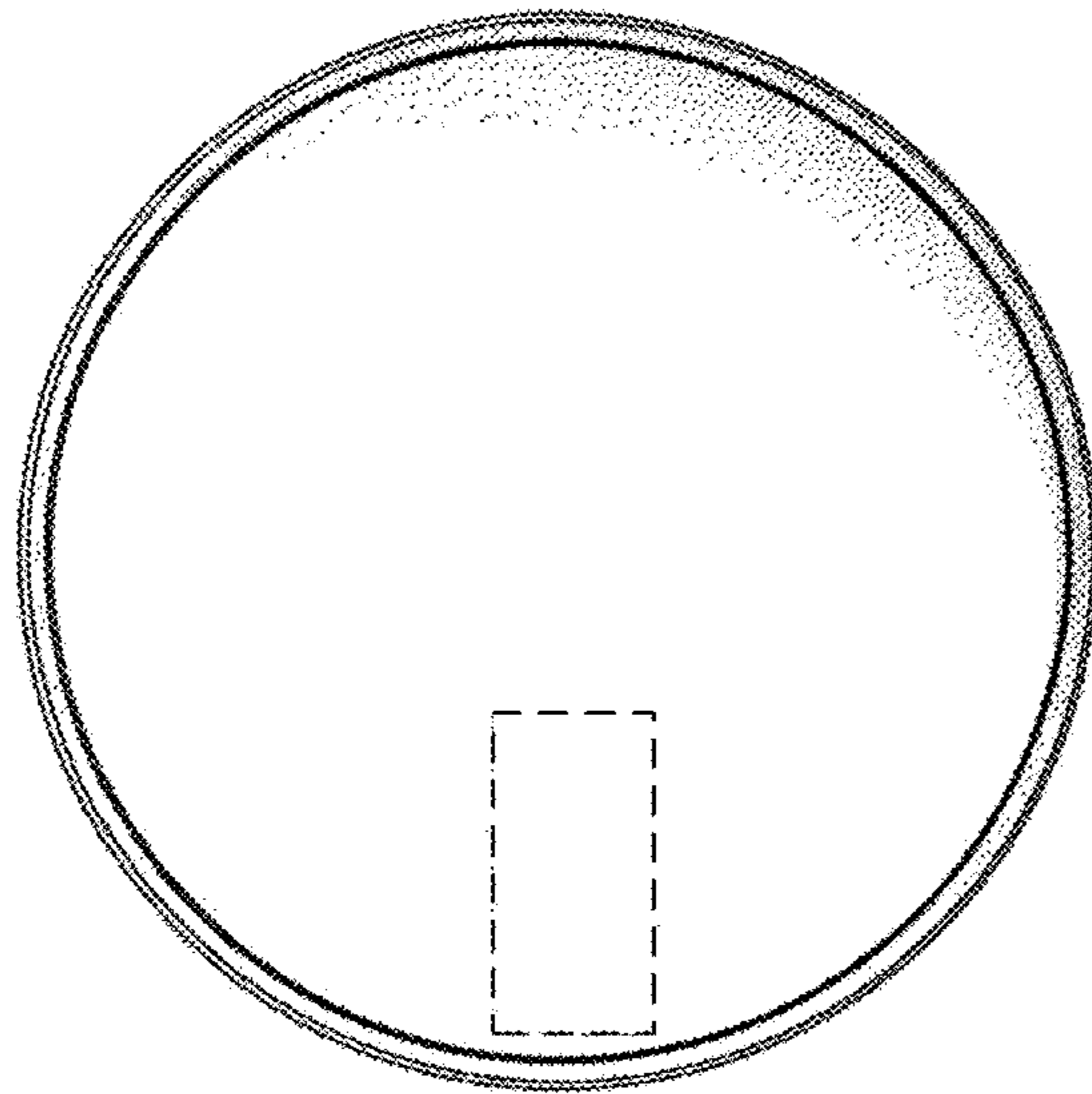


Fig. 2

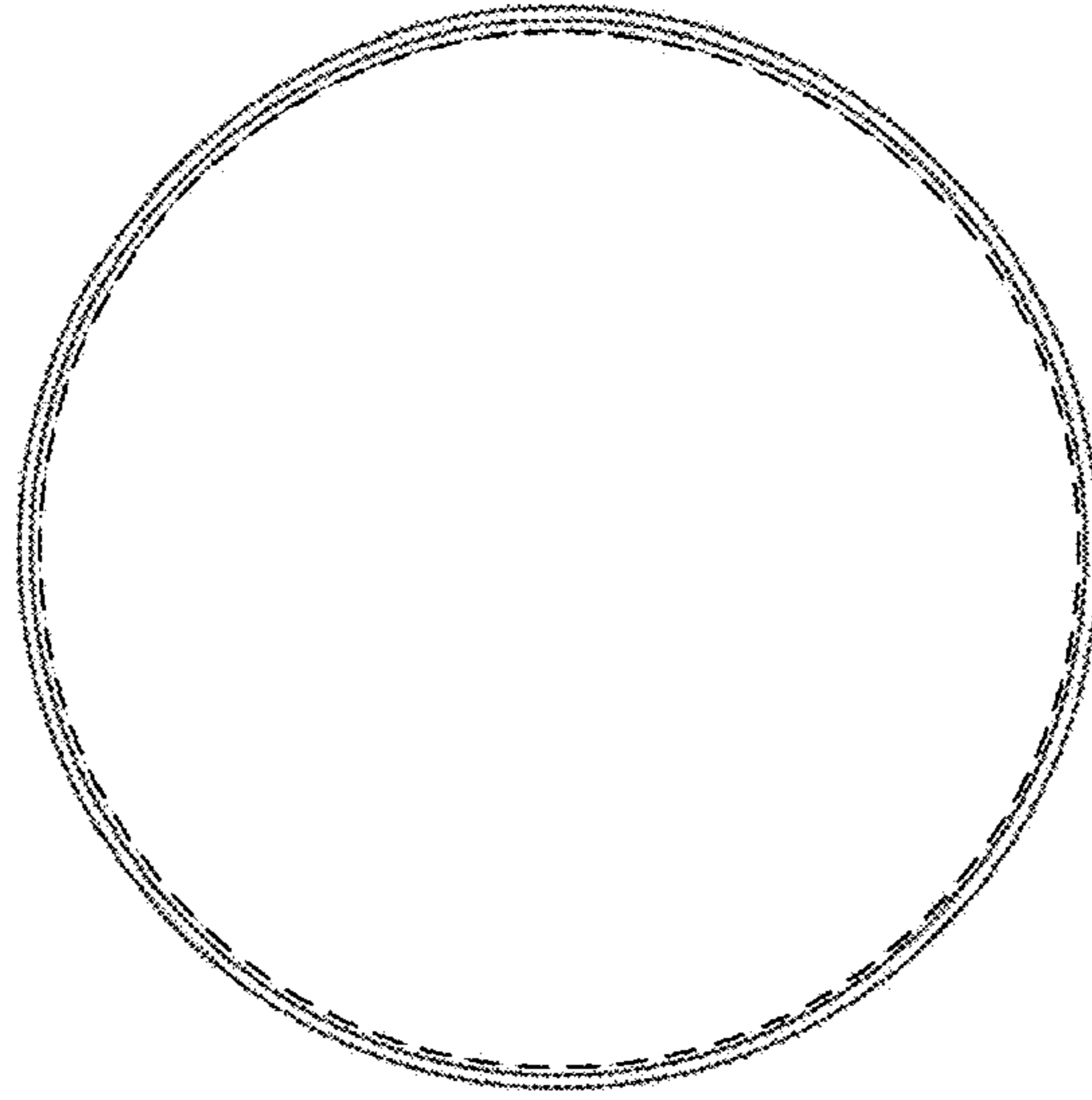


Fig. 3

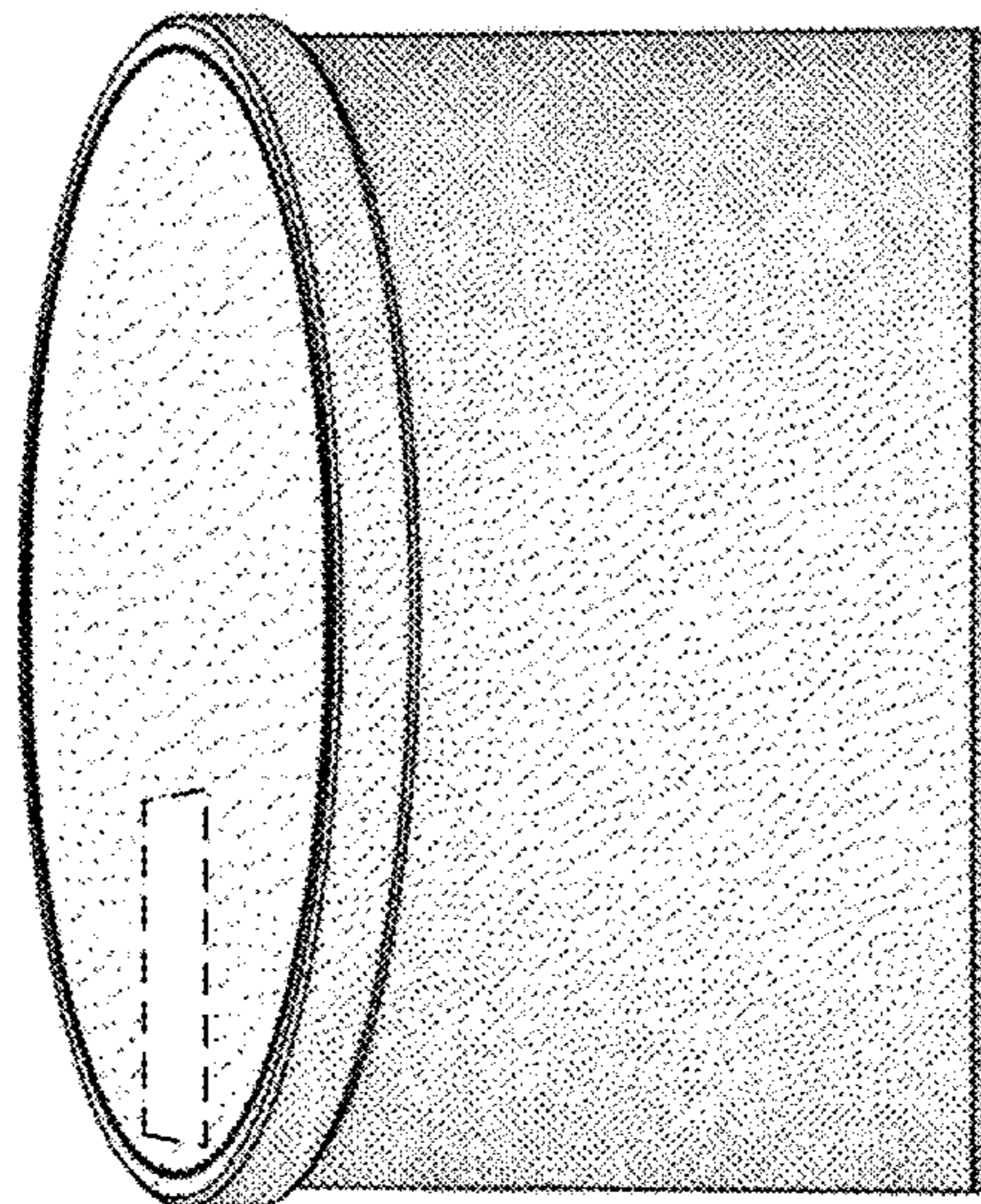


Fig. 4

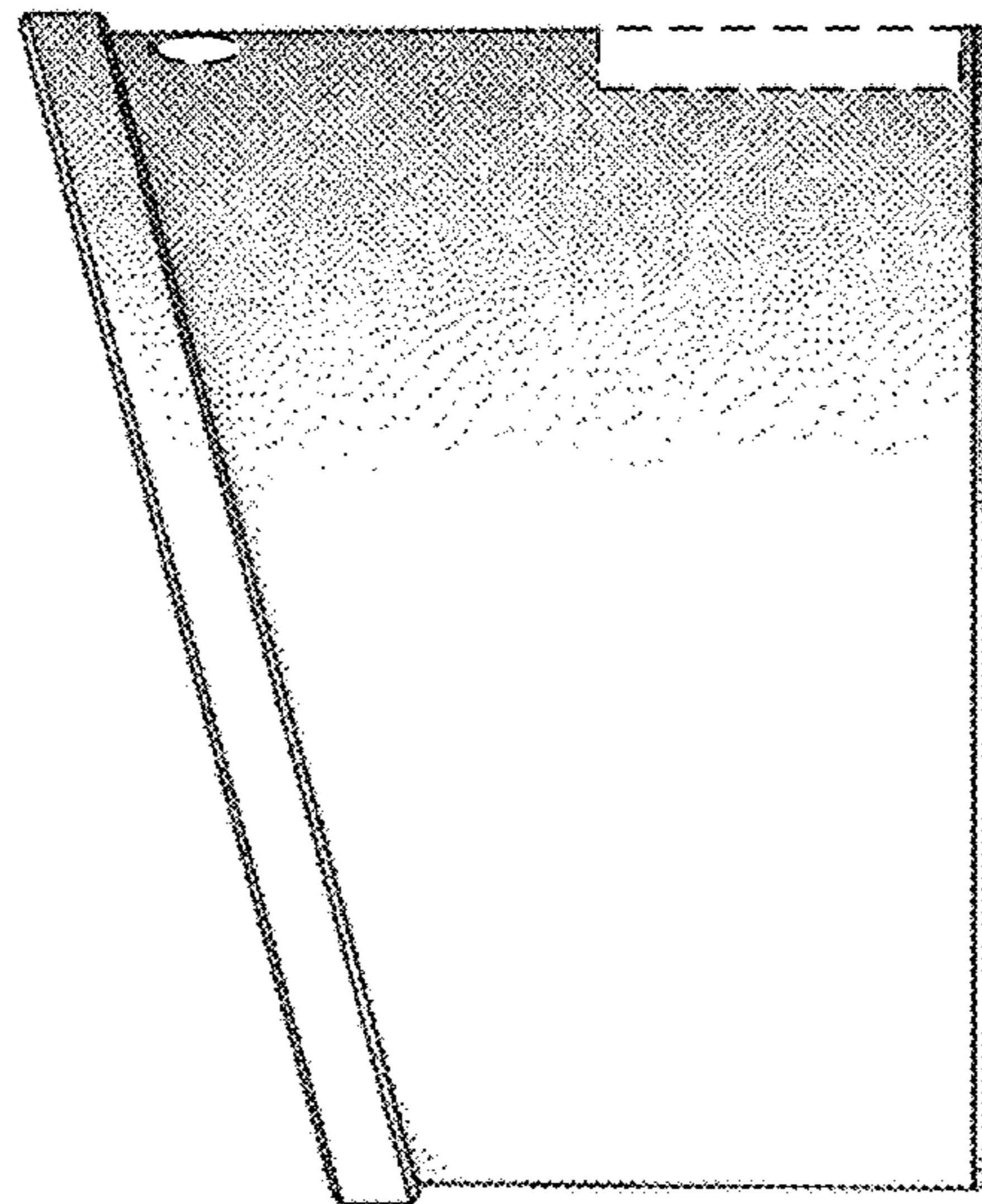


Fig. 5

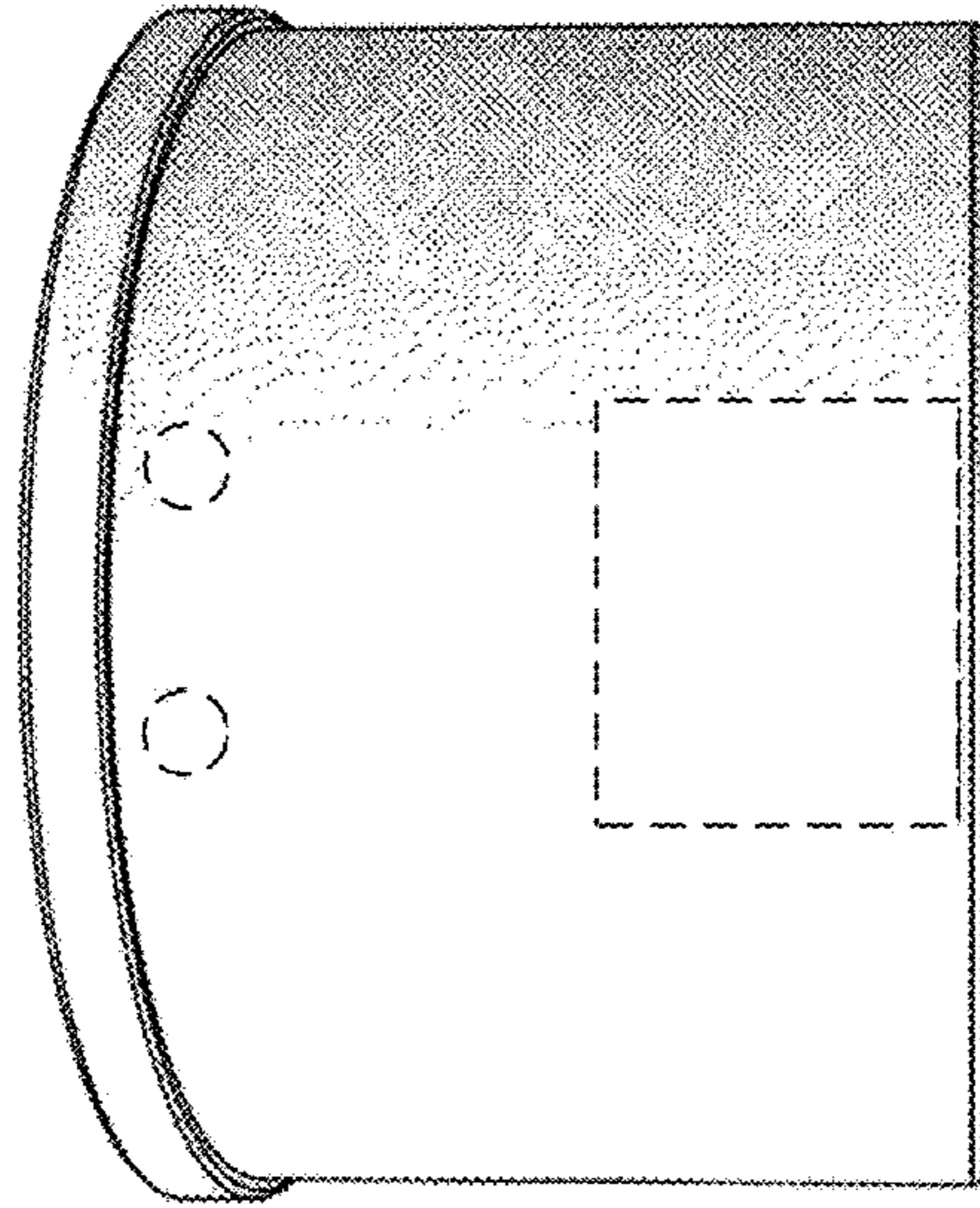


Fig. 6

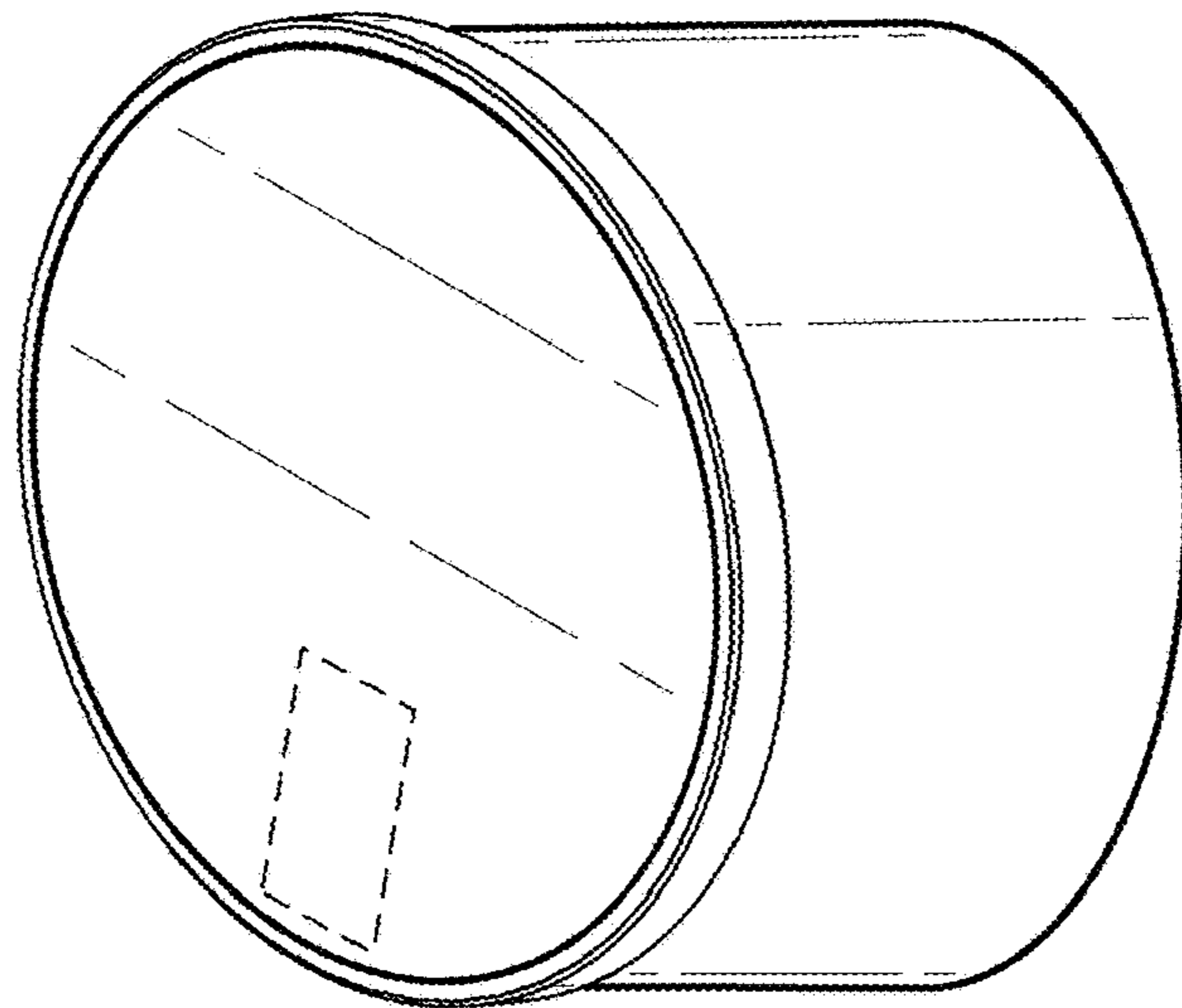


Fig. 7

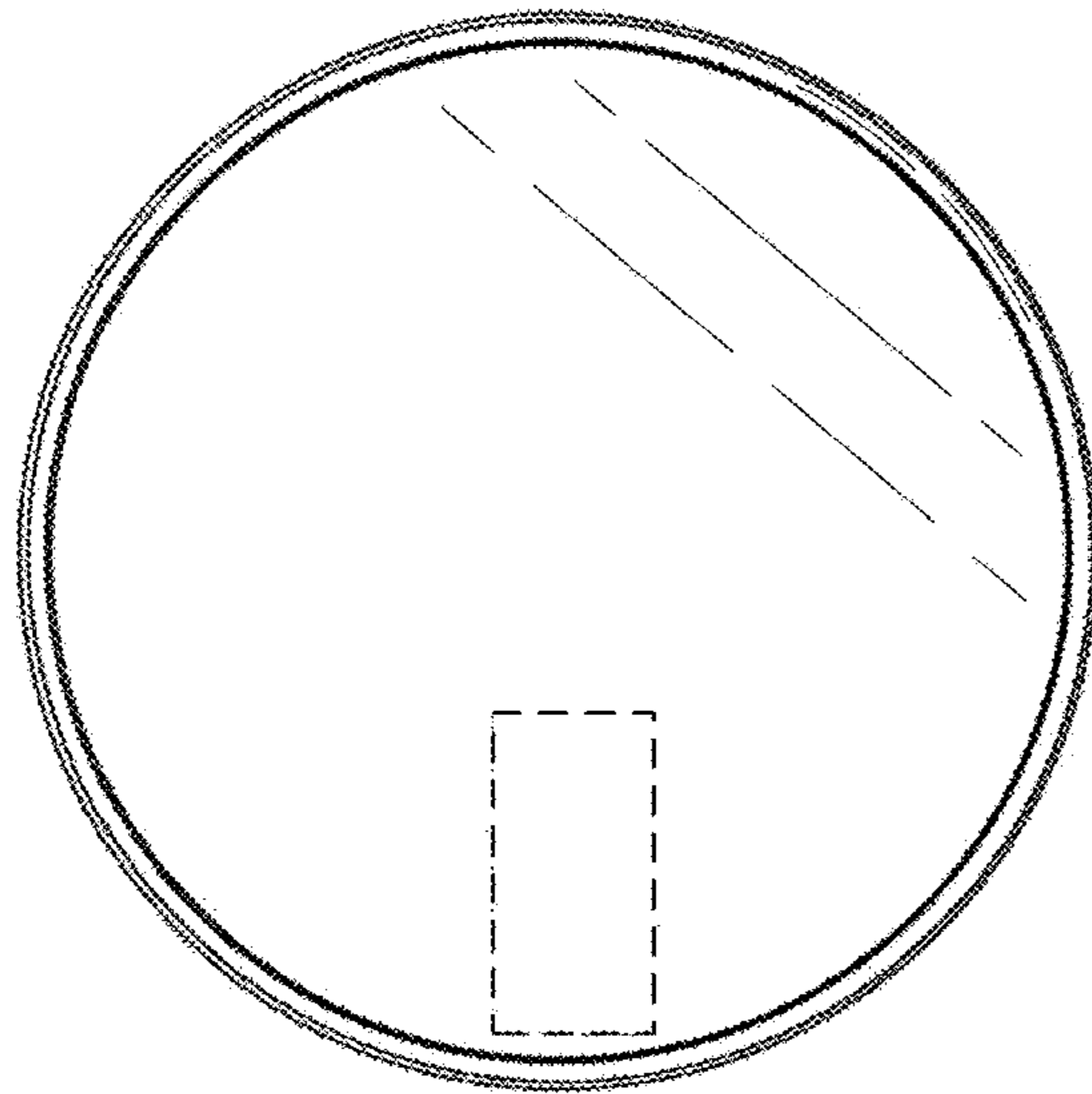


Fig. 8

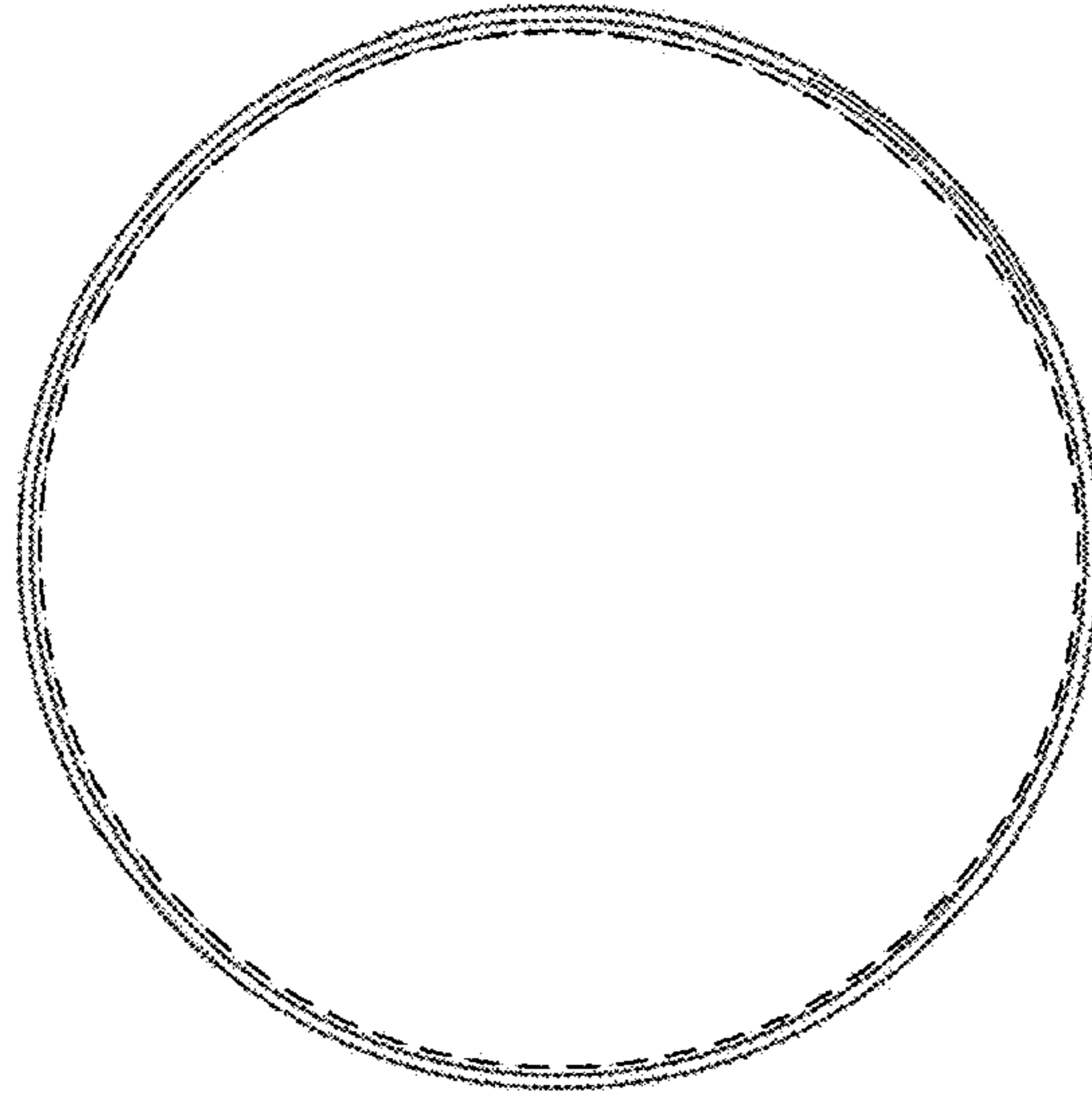


Fig. 9

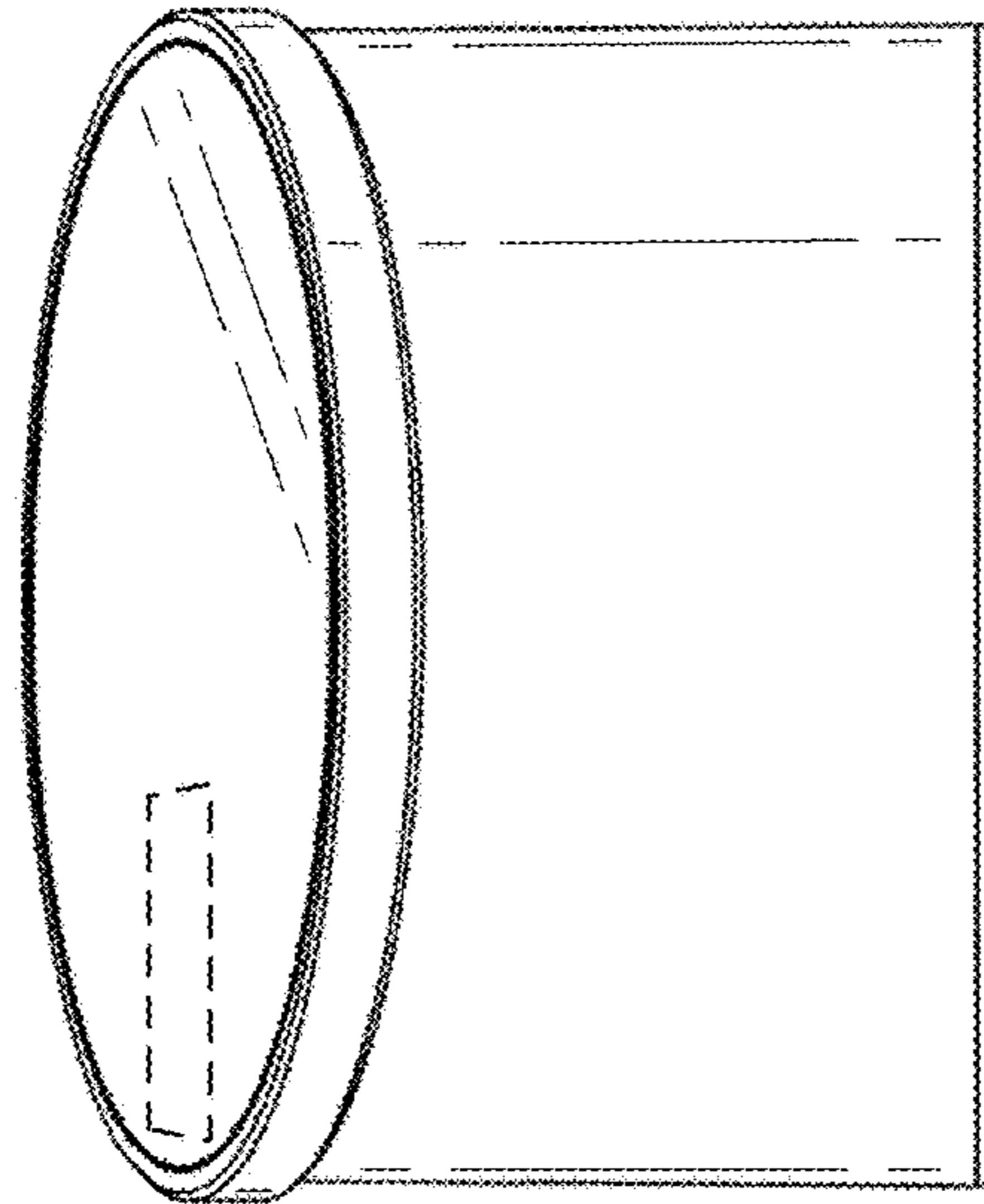


Fig. 10

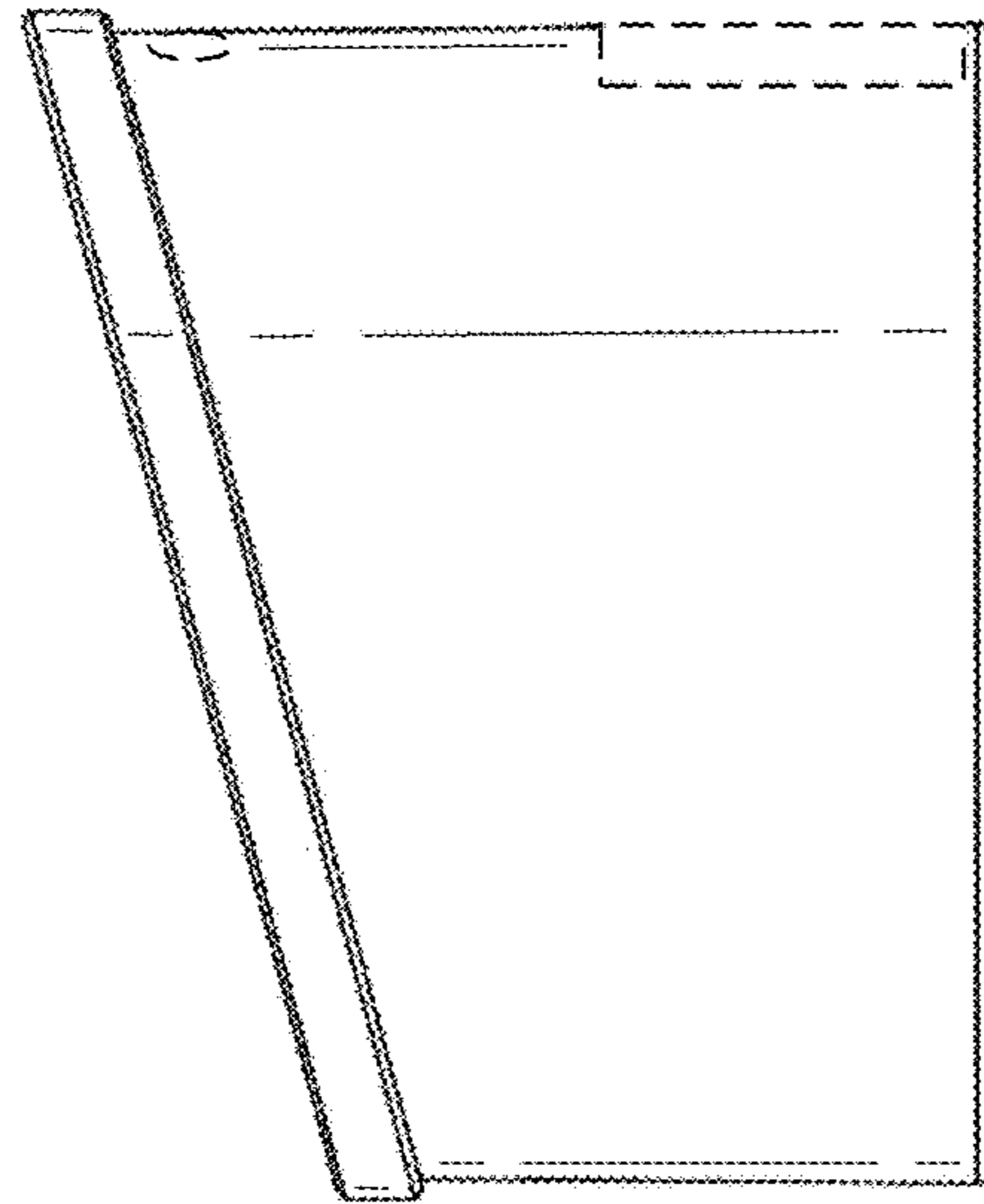


Fig. 11

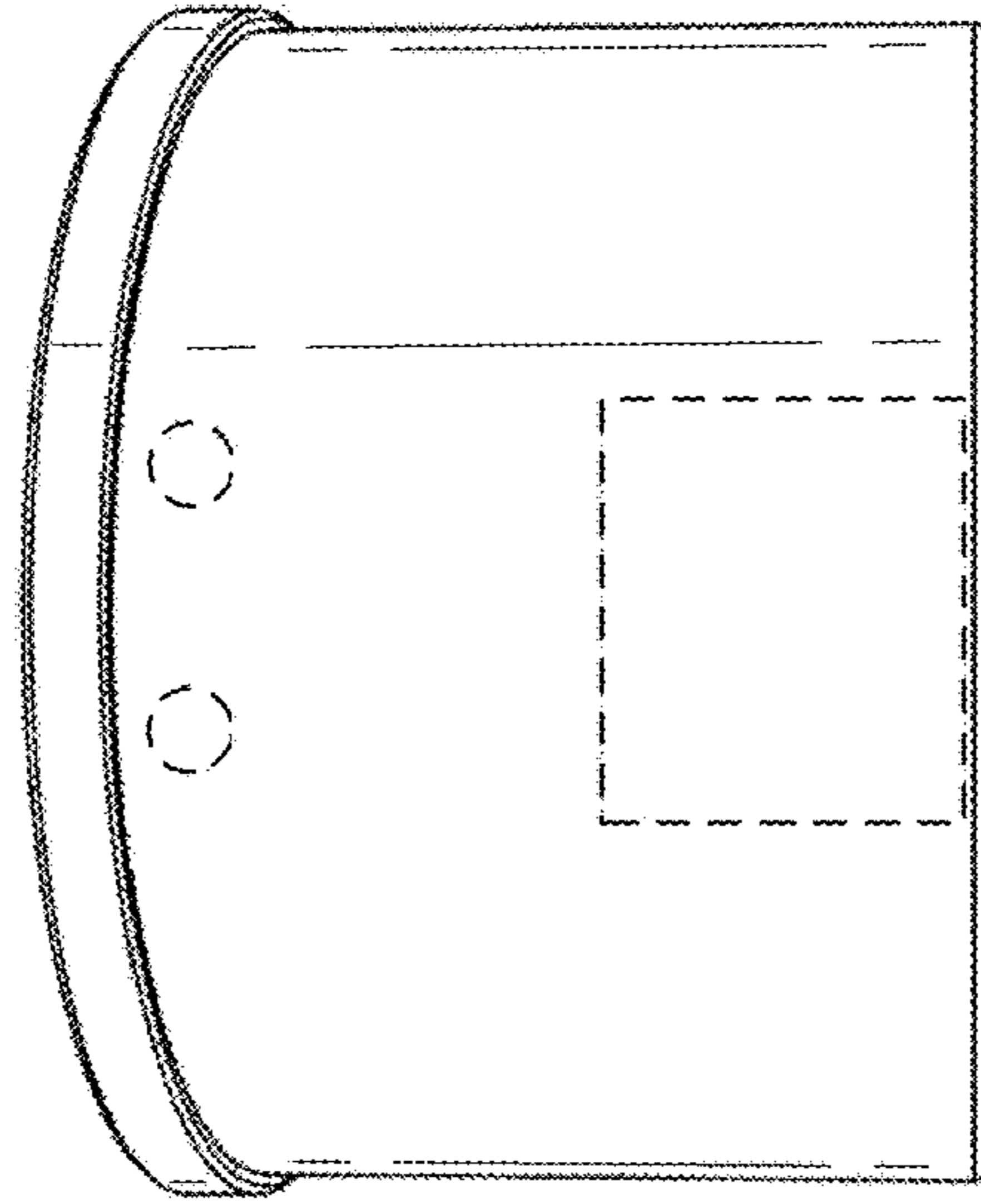


Fig. 12