



(12) **United States Design Patent**
Jun

(10) **Patent No.:** **US D922,380 S**
(45) **Date of Patent:** **** Jun. 15, 2021**

(54) **SSD(SOLID STATE DRIVE) MEMORY DEVICE**

(71) Applicant: **SAMSUNG ELECTRONICS CO., LTD.**, Suwon-si (KR)

(72) Inventor: **Gye-Jin Jun**, Suwon-si (KR)

(73) Assignee: **SAMSUNG ELECTRONICS CO., LTD.**, Suwon-si (KR)

(**) Term: **15 Years**

(21) Appl. No.: **29/713,806**

(22) Filed: **Nov. 19, 2019**

(30) **Foreign Application Priority Data**

Jul. 30, 2019 (KR) 30-2019-0036480

(51) **LOC (13) Cl.** **14-02**

(52) **U.S. Cl.**
USPC **D14/348**; D14/384; D14/356; D14/355

(58) **Field of Classification Search**
USPC D14/348-370, 383-385, 432, 433, 435, D14/436, 474, 480, 440, 498, 500, 502, D14/300-302, 314, 125, 135, 155, 496, D14/240-242, 299, 203.1, 203.3, 214; D13/103, 107, 108, 184, 199; D3/276, D3/294; D10/46, 49, 75, 104.1
CPC ... G11B 33/027; G11B 33/122; G11B 33/124; G11B 33/00; G11B 33/02; G11B 33/022; G11B 33/025; H05K 5/00; H05K 5/0213; H05K 7/00; H05K 7/1427; G06F 1/187
See application file for complete search history.

(56) **References Cited**

U.S. PATENT DOCUMENTS

D248,470 S * 7/1978 Talesfore D14/435
D277,665 S * 2/1985 Genaro D14/149
D280,322 S * 8/1985 Velinsky D14/435

5,130,891 A * 7/1992 Christie B60R 11/02 330/65
D333,633 S * 3/1993 Issa D10/106.1
D367,270 S * 2/1996 Levering D14/384
(Continued)

OTHER PUBLICATIONS

Portable hard drives. (Design—© Questel) orbit.com. [online PDF of Foreign Prior Art references selected by Examiner] 98 pgs. Print Dates range Jan. 1, 2019-Jun. 12, 2020 [Retrieved Feb. 10, 2021] <https://www.orbit.com/export/QPTUJ214/pdf2/78cfd389-de09-4253-8aa8-324b3278c5d0-171340.pdf>.*

Primary Examiner — Marie D. Fast Horse

(74) *Attorney, Agent, or Firm* — Sughrue Mion, PLLC

(57) **CLAIM**

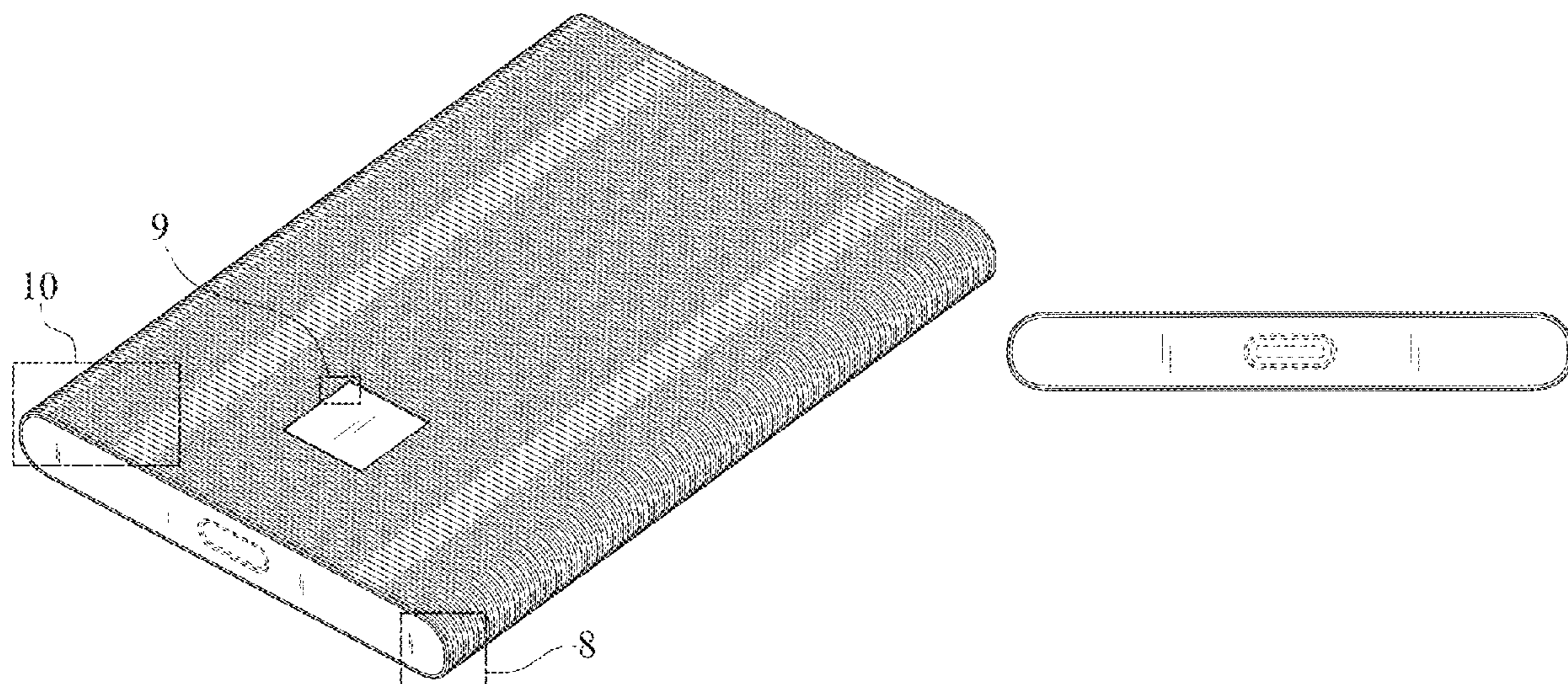
The ornamental design for a SSD(solid state drive) memory device, as shown and described.

DESCRIPTION

FIG. 1 is a perspective view of a SSD(solid state drive) memory device showing my new design;
FIG. 2 is a front view thereof;
FIG. 3 is a rear view thereof;
FIG. 4 is a left-side view thereof;
FIG. 5 is a right-side view thereof;
FIG. 6 is a top plan view thereof;
FIG. 7 is a bottom plan view thereof;
FIG. 8 is an enlarged view of the encircled portion 8 in FIG. 1;
FIG. 9 is an enlarged view of the encircled portion 9 in FIG. 1; and
FIG. 10 is an enlarged view of the encircled portion 10 in FIG. 1.

The evenly dashed broken lines in the figures depict portions of the SSD(solid state drive) memory device that form no part of the claimed design. The dot-dash broken lines encircling portions of the claimed design that are illustrated in enlargements form no part of the claimed design.

1 Claim, 10 Drawing Sheets



(56)

References Cited

U.S. PATENT DOCUMENTS

D429,725 S * 8/2000 Morimiya D14/384
 D511,774 S * 11/2005 Tanio D14/368
 D514,105 S * 1/2006 Ohta D14/384
 D515,090 S * 2/2006 Huang D14/367
 D529,512 S * 10/2006 Reawsanguanwong .. D14/203.3
 D541,785 S * 5/2007 Hwang D14/138 G
 D542,784 S * 5/2007 Franck D14/240
 D544,453 S * 6/2007 Yamada D14/349
 D565,568 S * 4/2008 Trifilio D14/356
 D576,164 S * 9/2008 Takahashi D14/385
 D590,334 S * 4/2009 Tatehata D13/103
 D590,336 S * 4/2009 Tatehata D13/103
 D590,389 S * 4/2009 Musgrave D14/349
 D590,769 S * 4/2009 Tatehata D13/103
 D592,130 S * 5/2009 Tatehata D13/103
 D593,559 S * 6/2009 Lin D14/384
 D596,634 S * 7/2009 Wong D14/358
 D597,558 S * 8/2009 Andre D14/203.7
 D623,590 S * 9/2010 Otani D13/103
 D645,814 S * 9/2011 Otani D13/103
 D646,222 S * 10/2011 Tatehata D13/103
 D649,548 S * 11/2011 Szoke D14/384
 D656,496 S * 3/2012 Andre D14/341
 D669,072 S * 10/2012 Huang D14/356
 D677,623 S * 3/2013 Fitch D13/108
 D678,191 S * 3/2013 Fitch D13/108
 D684,114 S * 6/2013 Otani D13/103
 D690,678 S * 10/2013 Daniel D14/138 G
 D693,874 S * 11/2013 Daniel D19/10
 D701,900 S * 4/2014 Daniel D19/10
 D718,307 S * 11/2014 Ozolins D14/383
 D719,506 S * 12/2014 Jung D13/108
 D728,675 S * 5/2015 Daniel D18/4.6
 D733,713 S * 7/2015 Shim D14/435
 D741,862 S * 10/2015 Beroukhim D14/384
 D763,188 S * 8/2016 Park D13/108

D782,479 S * 3/2017 Bruno D14/384
 D785,623 S * 5/2017 Kaiya D14/384
 D790,521 S * 6/2017 Chung D14/248
 D790,522 S * 6/2017 Chung D14/248
 D792,403 S * 7/2017 Nott D14/384
 D808,972 S * 1/2018 Magi D14/436
 D809,896 S * 2/2018 Gokcebay D8/331
 D819,022 S * 5/2018 Shim D14/363
 D823,243 S * 7/2018 Toscani D13/107
 D825,562 S * 8/2018 Segal D14/384
 D829,719 S * 10/2018 Shim D14/348
 D831,624 S * 10/2018 Kwon D14/240
 D837,790 S * 1/2019 Wu D14/435
 D838,271 S * 1/2019 Kaneko D14/384
 D839,226 S * 1/2019 Christie D14/125
 D843,998 S * 3/2019 Bolotin D14/365
 D844,604 S * 4/2019 Bolotin D14/365
 D844,631 S * 4/2019 Roberts D14/480.5
 D847,813 S * 5/2019 Jun D14/356
 D863,024 S * 10/2019 Gokcebay D8/330
 D863,025 S * 10/2019 Gokcebay D8/330
 D863,026 S * 10/2019 Gokcebay D8/330
 D863,027 S * 10/2019 Gokcebay D8/330
 D863,028 S * 10/2019 Gokcebay D8/330
 D863,029 S * 10/2019 Gokcebay D8/330
 D864,970 S * 10/2019 Magi D14/436
 D867,368 S * 11/2019 Magi D14/436
 D867,369 S * 11/2019 Magi D14/436
 D869,411 S * 12/2019 Wang D14/125
 D890,177 S * 7/2020 Mikami D14/384
 D892,796 S * 8/2020 Paul H02B 1/44
 D894,183 S * 8/2020 Min D14/384
 D900,795 S * 11/2020 Laffon de Mazieres D14/356
 D904,401 S * 12/2020 Wu D14/363
 D906,302 S * 12/2020 Yu D14/240
 2004/0190192 A1 * 9/2004 Huang G11B 25/043
 360/99.13

* cited by examiner

FIG. 1

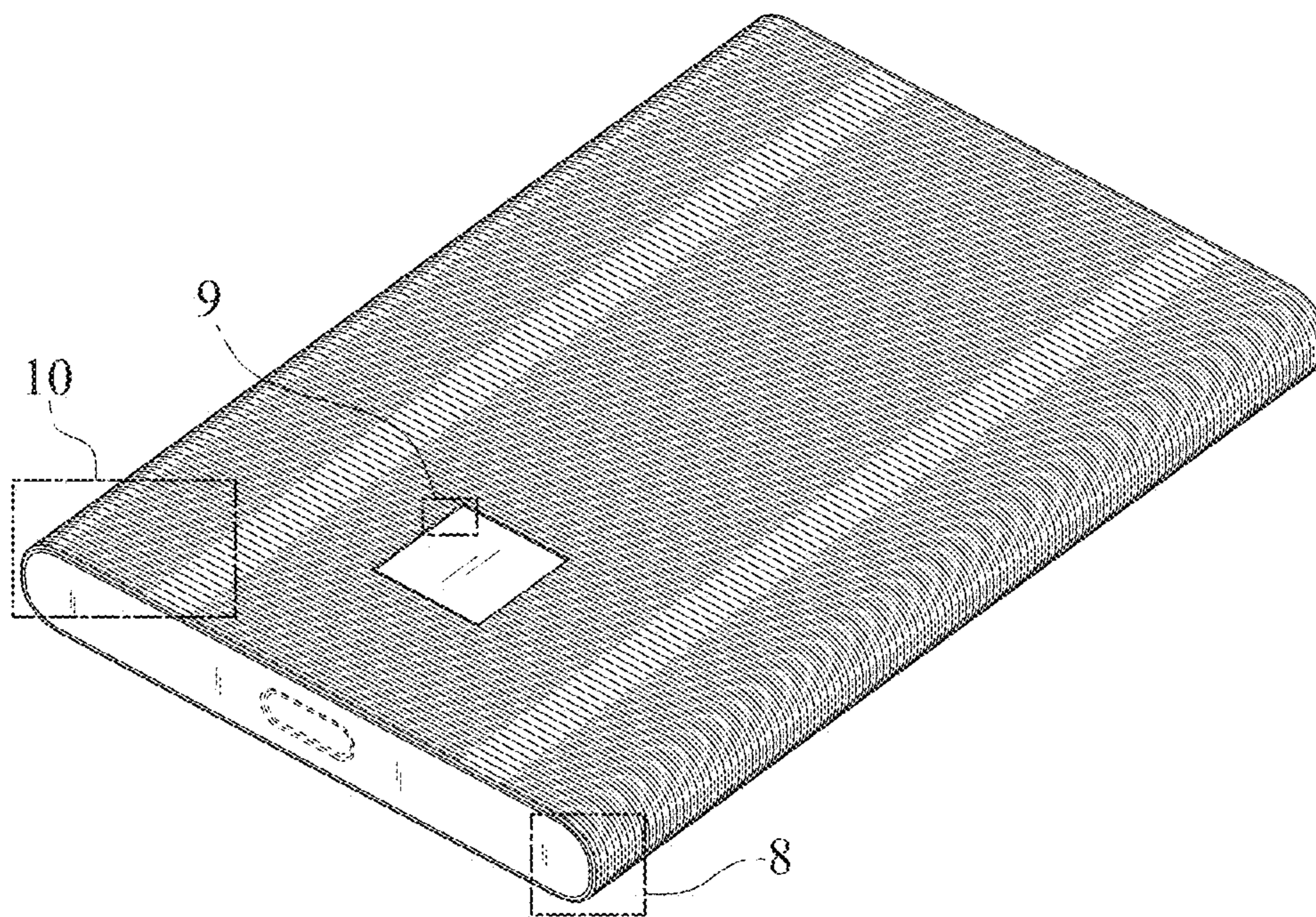


FIG. 2

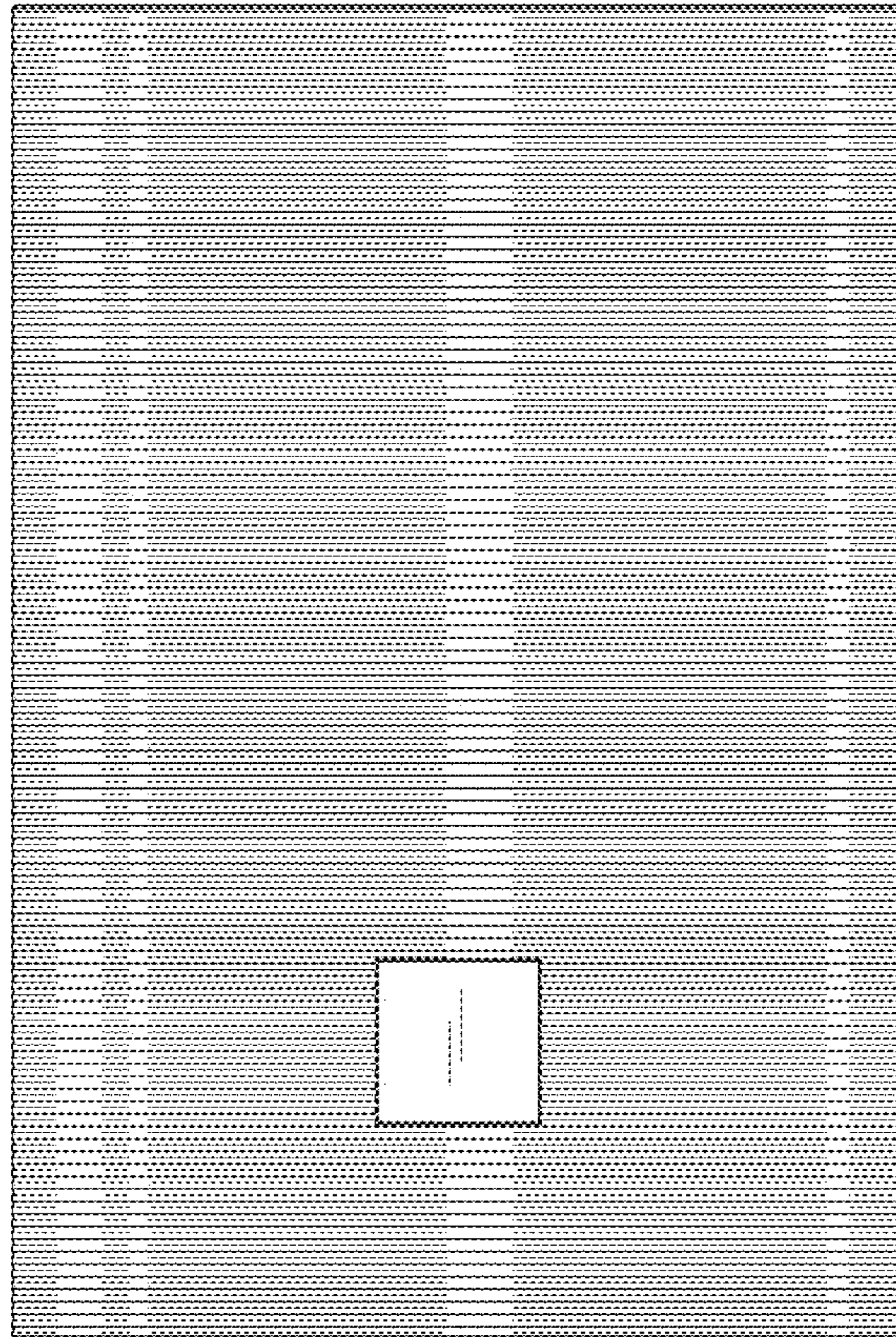


FIG. 3

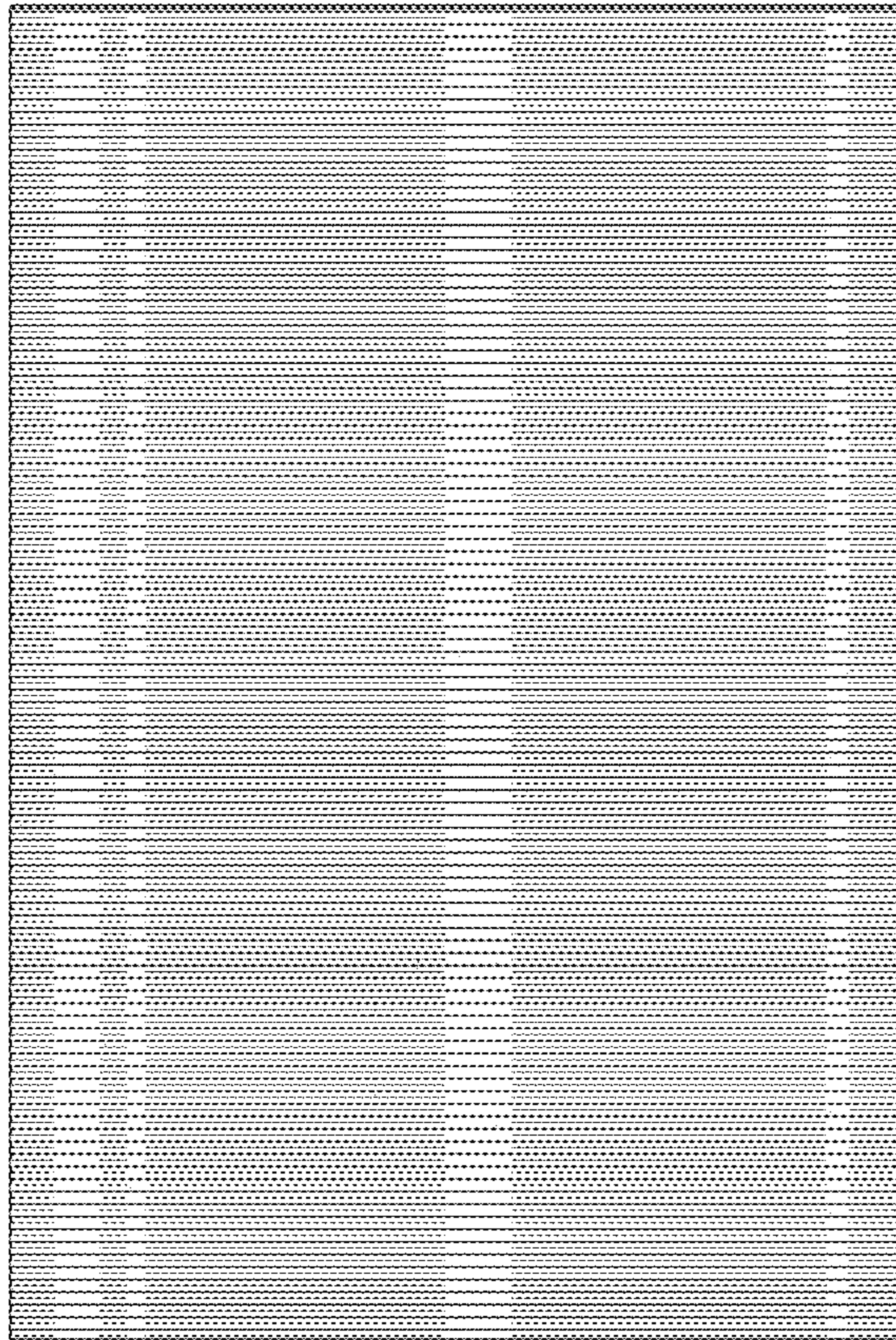


FIG. 4



FIG. 5

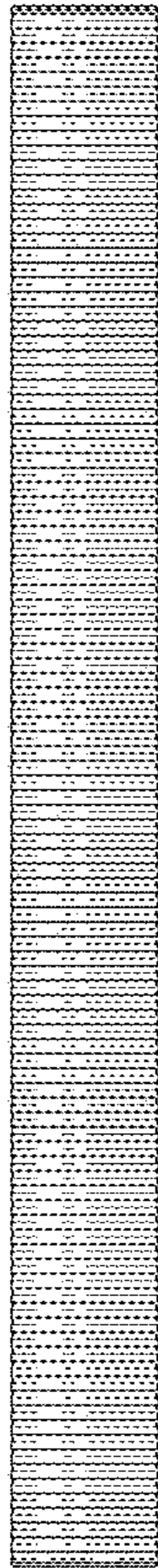


FIG. 6



FIG. 7

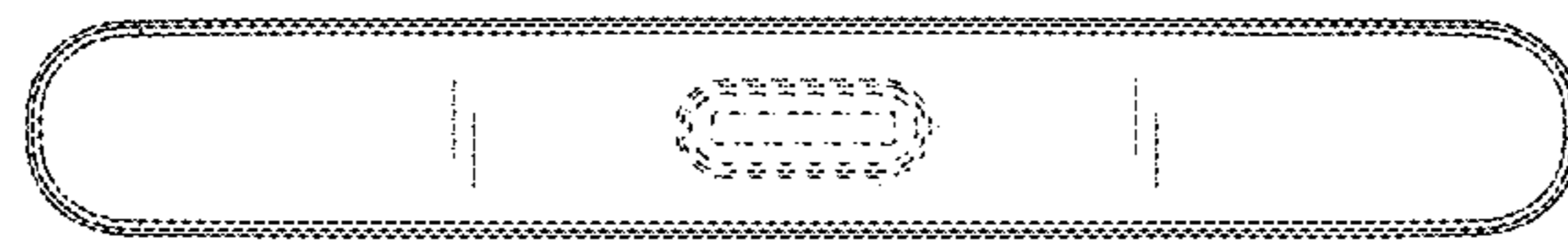


FIG. 8

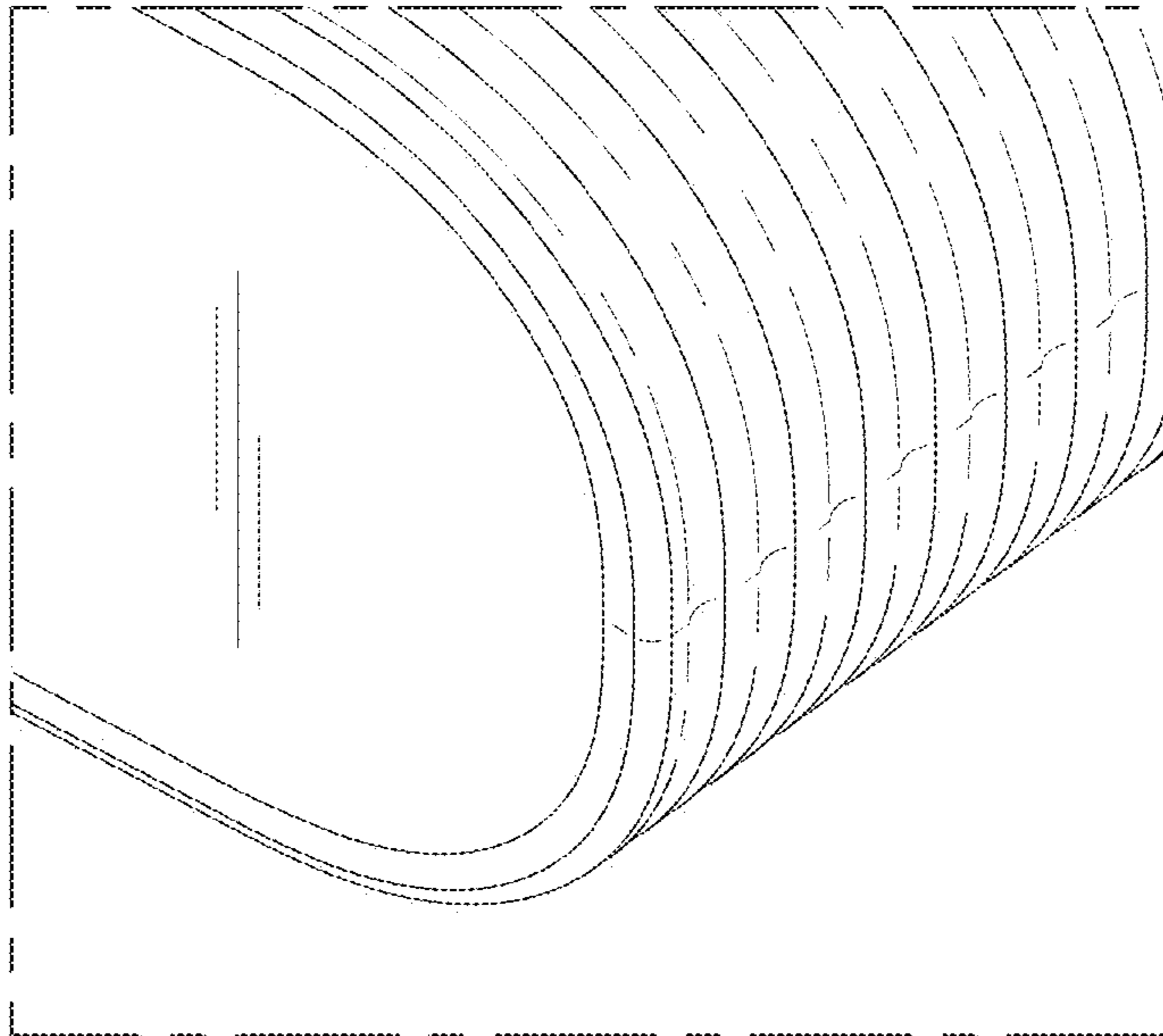


FIG. 9

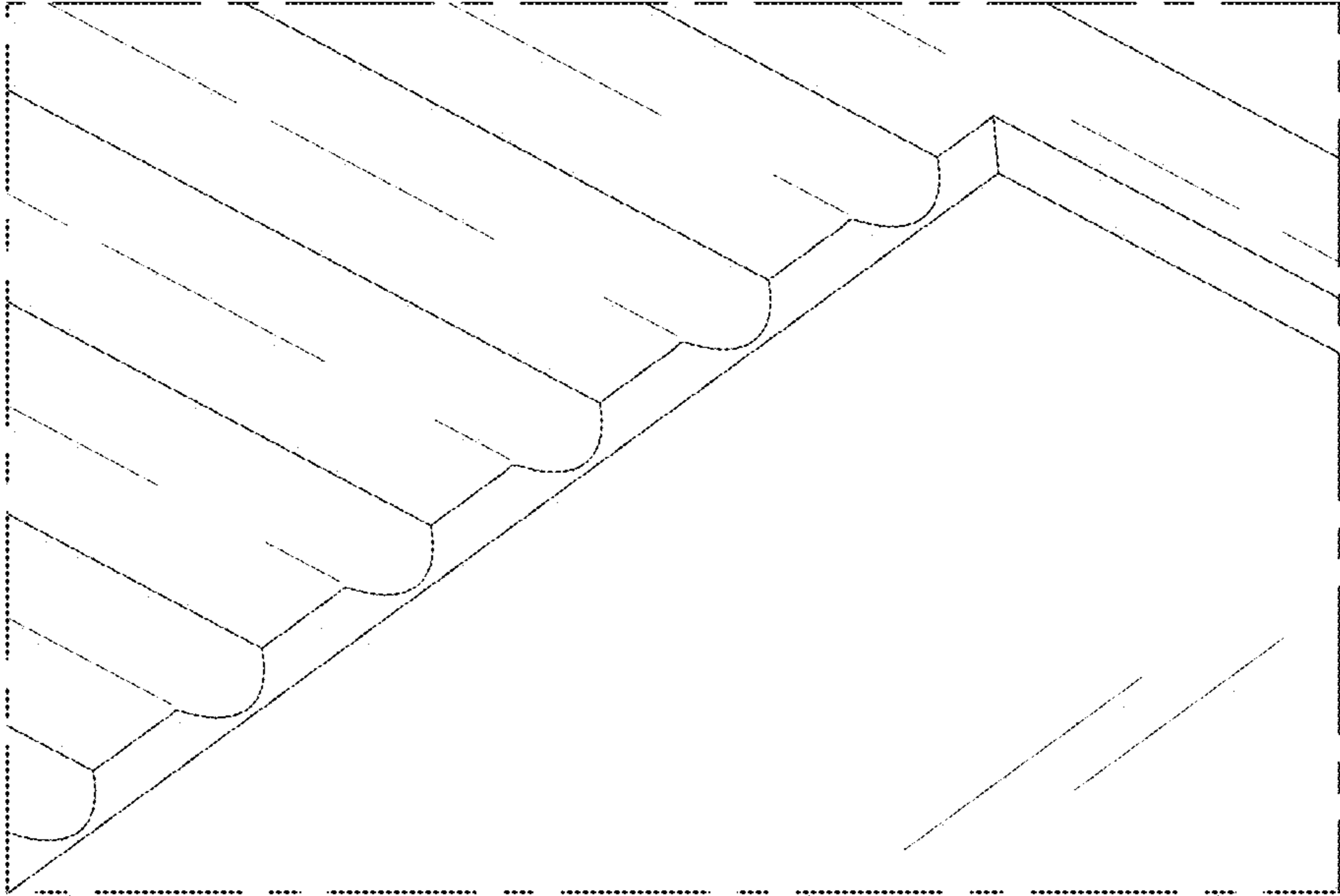


FIG. 10

