



US00D922379S

(12) **United States Design Patent** (10) **Patent No.:** **US D922,379 S**  
**Huang** (45) **Date of Patent:** **\*\* Jun. 15, 2021**

(54) **PORTABLE HARD DRIVE**  
(71) Applicant: **Xuepeng Huang**, Guangdong (CN)  
(72) Inventor: **Xuepeng Huang**, Guangdong (CN)  
(\*\*) Term: **15 Years**  
(21) Appl. No.: **29/685,986**  
(22) Filed: **Apr. 2, 2019**  
(51) **LOC (13) Cl.** ..... **14-02**  
(52) **U.S. Cl.**  
USPC ..... **D14/348**; D14/356; D14/354; D14/363  
(58) **Field of Classification Search**  
USPC ..... D14/348–370, 383–385, 432, 433, 435,  
D14/436, 474, 480, 440, 498, 500, 502,  
D14/300–302, 314, 125, 135, 155, 496,  
D14/240–242, 299, 203.1, 203.3, 214;  
D13/103, 107, 108, 184, 199; D3/276,  
D3/294; D10/46, 49, 75, 104.1  
CPC ... G11B 33/027; G11B 33/122; G11B 33/124;  
G11B 33/00; G11B 33/02; G11B 33/022;  
G11B 33/025; H05K 5/00; H05K 5/0213;  
H05K 7/00; H05K 7/1427; G06F 1/187  
See application file for complete search history.

D532,786 S \* 11/2006 Iseki ..... D14/365  
D624,076 S \* 9/2010 Huh ..... D14/366  
D625,720 S \* 10/2010 Kang ..... D14/356  
D640,646 S \* 6/2011 Wu ..... D14/125  
D641,362 S \* 7/2011 Dublin ..... D14/356  
D648,726 S \* 11/2011 Behar ..... D14/435.1  
D662,498 S \* 6/2012 Morgan ..... D14/356  
D684,971 S \* 6/2013 Chang ..... D14/365  
D705,782 S \* 5/2014 McParland ..... D14/435  
D714,824 S \* 10/2014 Park ..... D14/496  
D727,015 S \* 4/2015 Arrindell ..... D3/208  
D730,306 S \* 5/2015 Tang ..... D14/125

(Continued)

**OTHER PUBLICATIONS**

Data Storage Devices. (Design—© Questel) orbit.com. [online PDF of Foreign Prior Art references] 35 pgs. Print Dates range Dec. 22, 2009-Oct. 23, 2020 [Retrieved Feb. 5, 2021] <https://www.orbit.com/export/QPTUJ214/pdf2/83ead42c-4f59-482e-9e97-fb7af12fd8df-222106.pdf>.\*

(Continued)

*Primary Examiner* — Marie D. Fast Horse

(57) **CLAIM**

The ornamental design for a portable hard drive, as shown and described.

**DESCRIPTION**

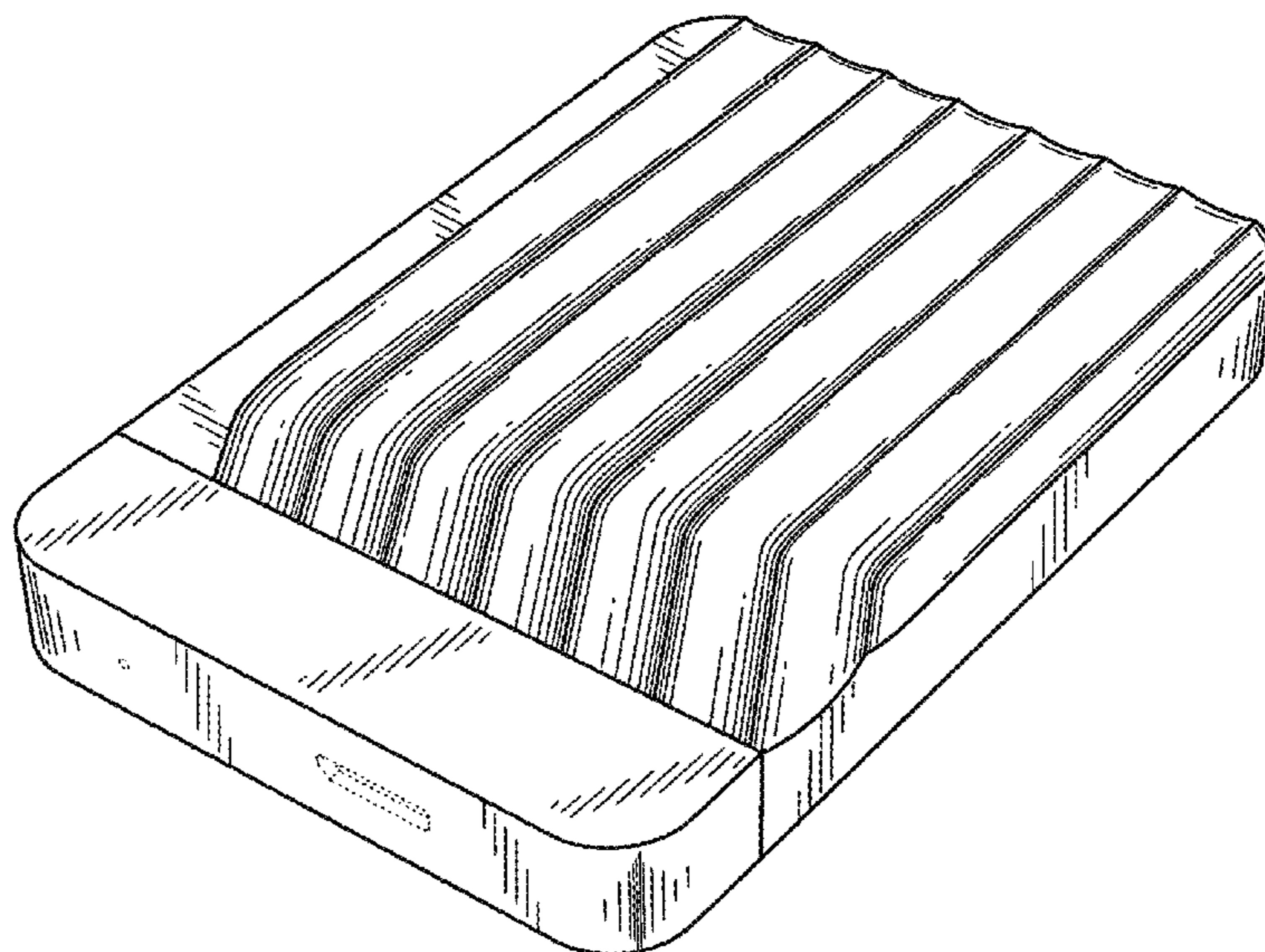
FIG. 1 is a perspective view of a portable hard drive showing my new design;  
FIG. 2 is another perspective view thereof;  
FIG. 3 is a front elevational view thereof;  
FIG. 4 is a rear elevational view thereof;  
FIG. 5 is a left side view thereof;  
FIG. 6 is a right side view thereof;  
FIG. 7 is a top plan view thereof; and,  
FIG. 8 is a bottom plan view thereof.  
The broken lines shown in portable hard drive form no part of the claimed design.

**1 Claim, 6 Drawing Sheets**

(56) **References Cited**

**U.S. PATENT DOCUMENTS**

D275,752 S \* 10/1984 Mahan ..... D14/240  
D320,023 S \* 9/1991 Gault ..... D14/299  
D328,734 S \* 8/1992 Riley ..... D14/355  
D328,735 S \* 8/1992 Barbera ..... D14/355  
D332,445 S \* 1/1993 Lin ..... D14/368  
D337,997 S \* 8/1993 Brunner ..... D14/368  
D342,943 S \* 1/1994 Wetrin ..... D14/355  
D347,630 S \* 6/1994 DiPrizio ..... D14/435  
D362,240 S \* 9/1995 Heidorn ..... D14/357  
D370,211 S \* 5/1996 Lee ..... D14/349  
D381,974 S \* 8/1997 Alfonso ..... D14/445  
D383,452 S \* 9/1997 Thompson ..... D14/368  
D391,556 S \* 3/1998 Corrington ..... D14/367



(56)

**References Cited**

U.S. PATENT DOCUMENTS

D730,850 S \* 6/2015 Tang ..... D14/125  
 D733,713 S \* 7/2015 Shim ..... D14/435  
 D736,657 S \* 8/2015 Detering ..... D10/46  
 D758,366 S \* 6/2016 Peng ..... D14/363  
 D760,223 S \* 6/2016 Peng ..... D14/363  
 D778,280 S \* 2/2017 Vanderpol ..... D14/363  
 D784,358 S \* 4/2017 Chung ..... D14/480.5  
 D785,579 S \* 5/2017 McMiller ..... D14/125  
 D811,391 S \* 2/2018 Behar ..... D14/349  
 D814,460 S \* 4/2018 Behar ..... D14/349  
 D814,464 S \* 4/2018 Huang ..... D14/365  
 D816,659 S \* 5/2018 Latto ..... D14/314  
 D823,793 S \* 7/2018 Xianxi ..... D13/107  
 D847,811 S \* 5/2019 Shim ..... D14/356  
 D848,441 S \* 5/2019 Ferren ..... D14/440  
 D849,000 S \* 5/2019 Tsai ..... D14/348  
 D852,160 S \* 6/2019 Chen ..... D14/168  
 D853,368 S \* 7/2019 Uchida ..... D14/240

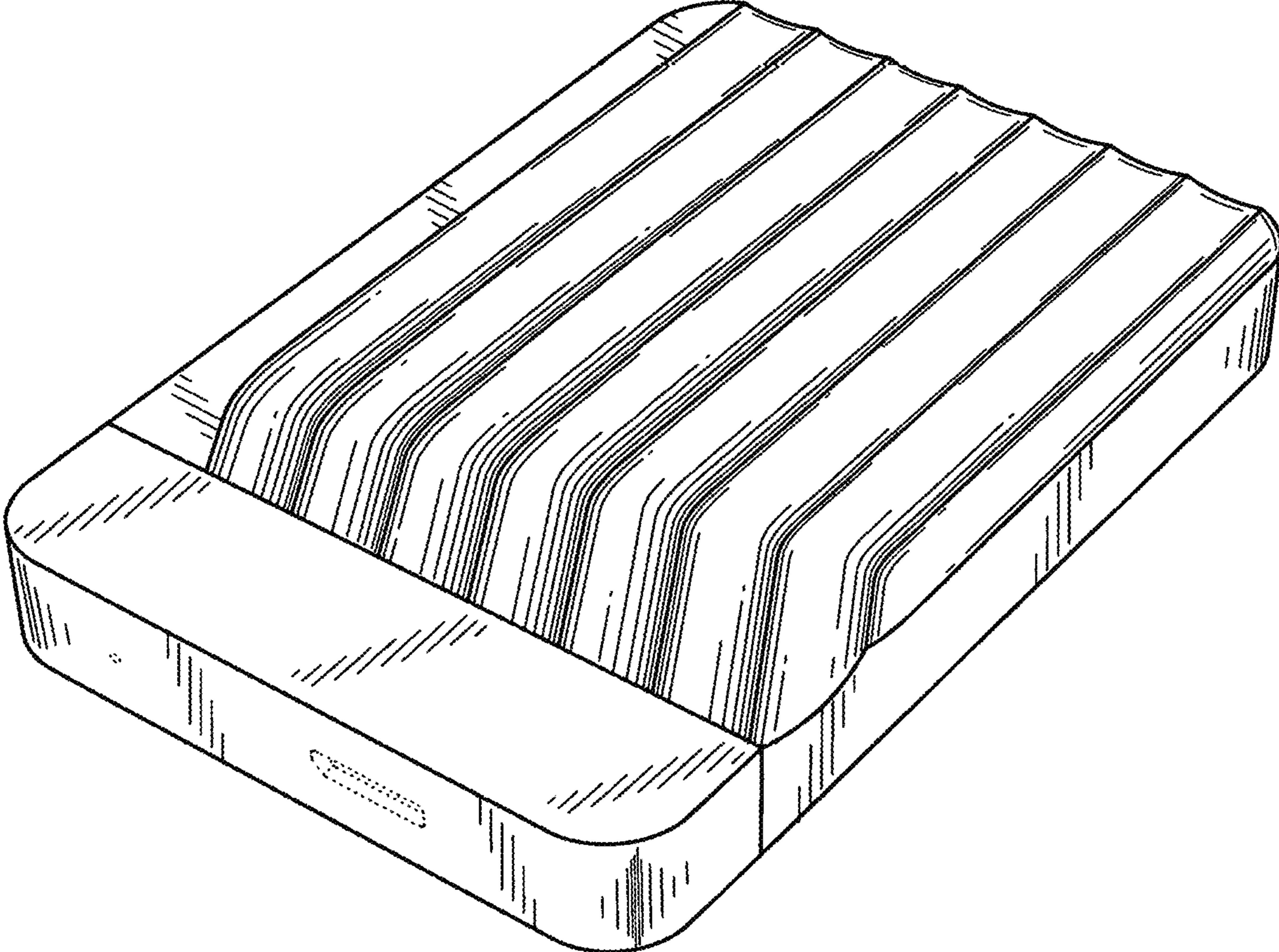
D854,545 S \* 7/2019 Woo ..... D14/435  
 D856,327 S \* 8/2019 Huang ..... D14/365  
 D860,826 S \* 9/2019 Uchida ..... D10/49  
 D868,076 S \* 11/2019 Huang ..... D14/480.1  
 D869,411 S \* 12/2019 Wang ..... D14/125  
 D881,186 S \* 4/2020 Peng ..... D14/349  
 D902,924 S \* 11/2020 Behar ..... D14/349  
 D904,399 S \* 12/2020 Behar ..... D14/349  
 2018/0329457 A1 \* 11/2018 Fairchild ..... G06F 1/187

OTHER PUBLICATIONS

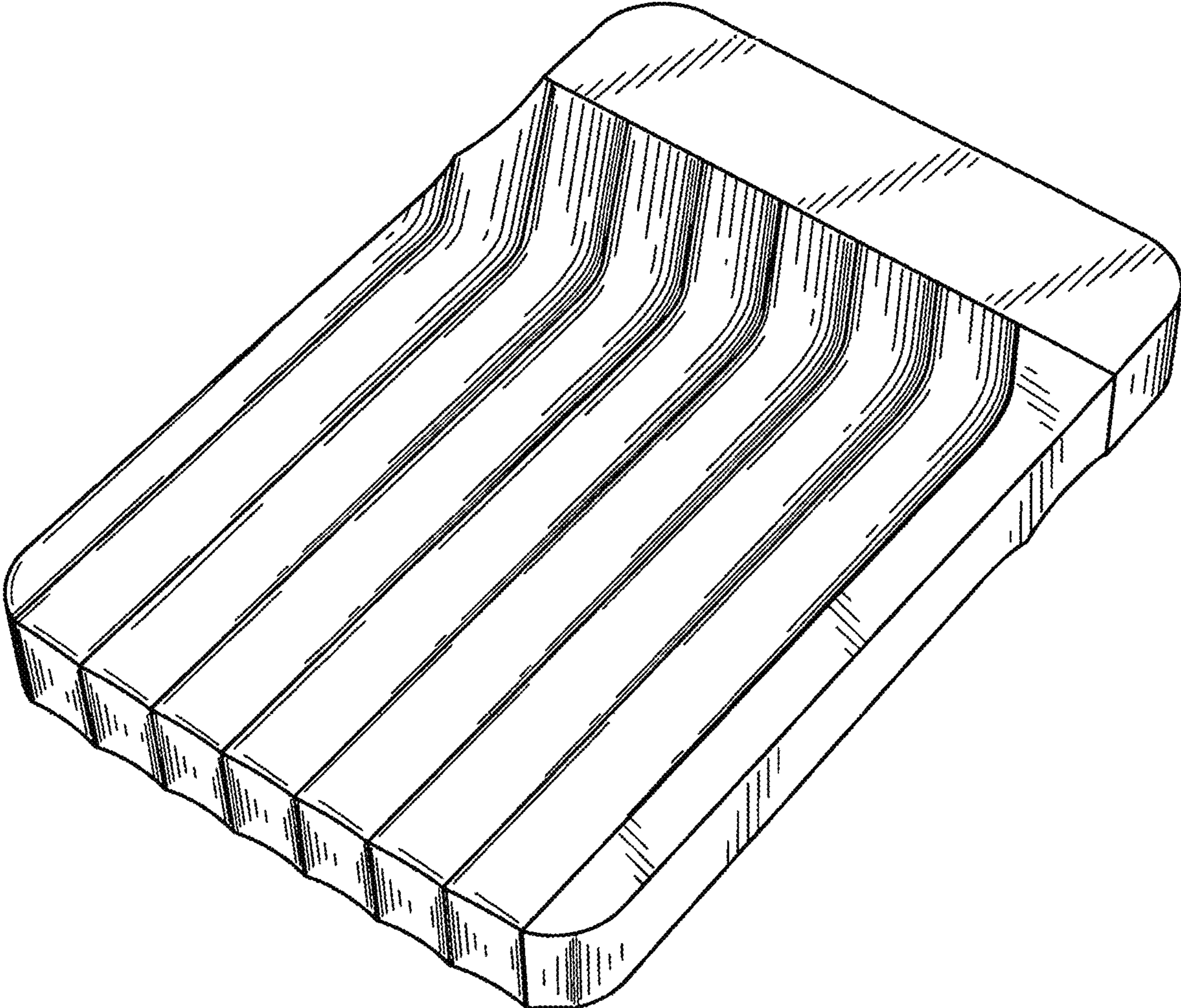
WD 5TB My Passport Ultra USB 3.0 Type-C External Hard Drive, (online) 45 pgs. Available Sep. 14, 2017 [Retrieved Feb. 10, 2021] [https://www.bhphotovideo.com/c/product/1514294-REG/wd\\_wdbpmv0050bsl\\_wesn\\_5tb\\_my\\_passport\\_ultra.html/reviews?ap=y&ap=y&smp=y&smp=y&lsft=BI%3A514&gclid=EA1alQobChMI-pqjrvjd7glVda7ICh17DwkbEAkYE.\\*](https://www.bhphotovideo.com/c/product/1514294-REG/wd_wdbpmv0050bsl_wesn_5tb_my_passport_ultra.html/reviews?ap=y&ap=y&smp=y&smp=y&lsft=BI%3A514&gclid=EA1alQobChMI-pqjrvjd7glVda7ICh17DwkbEAkYE.*)

\* cited by examiner





**FIG. 1**



**FIG. 2**

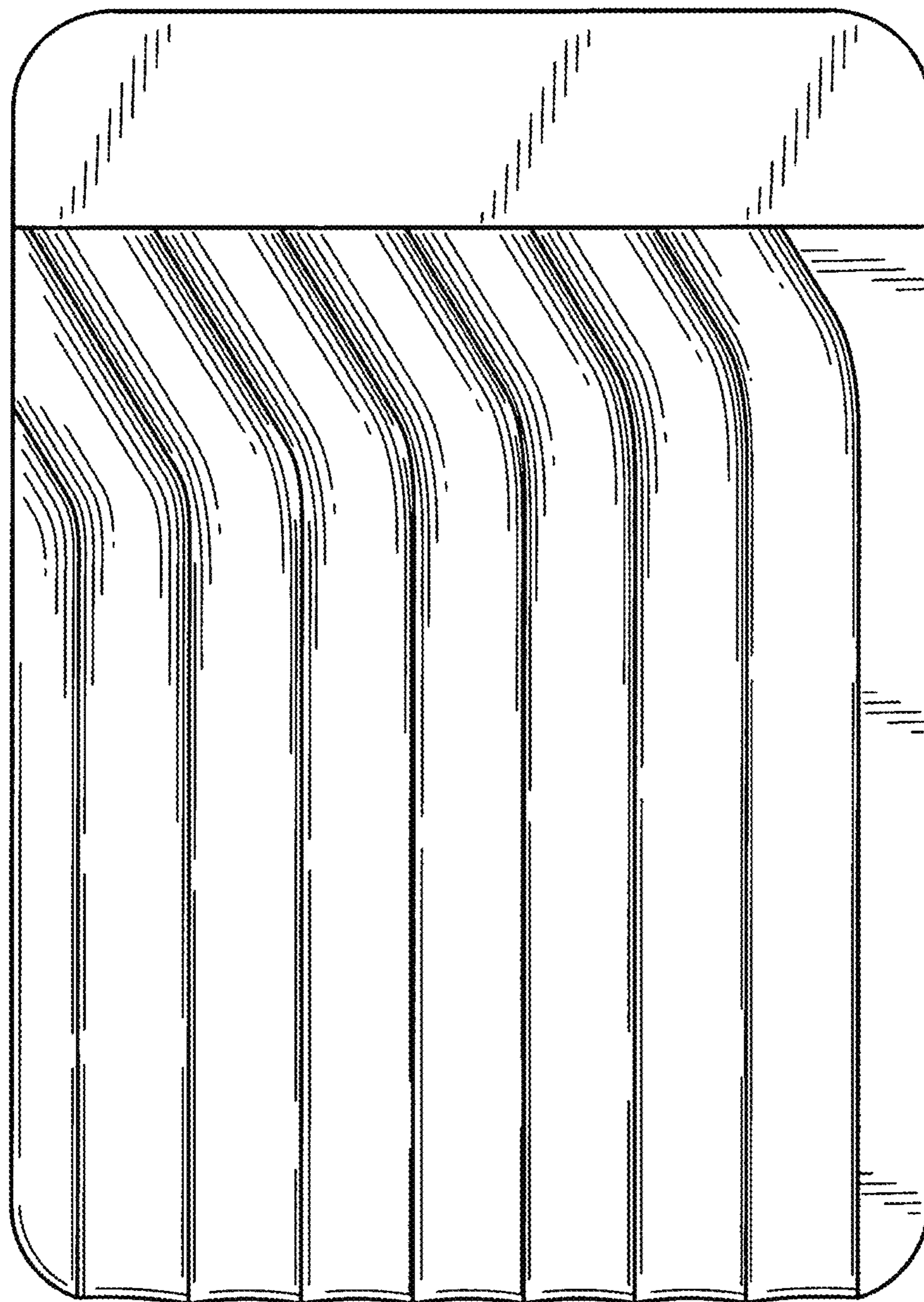


FIG. 3



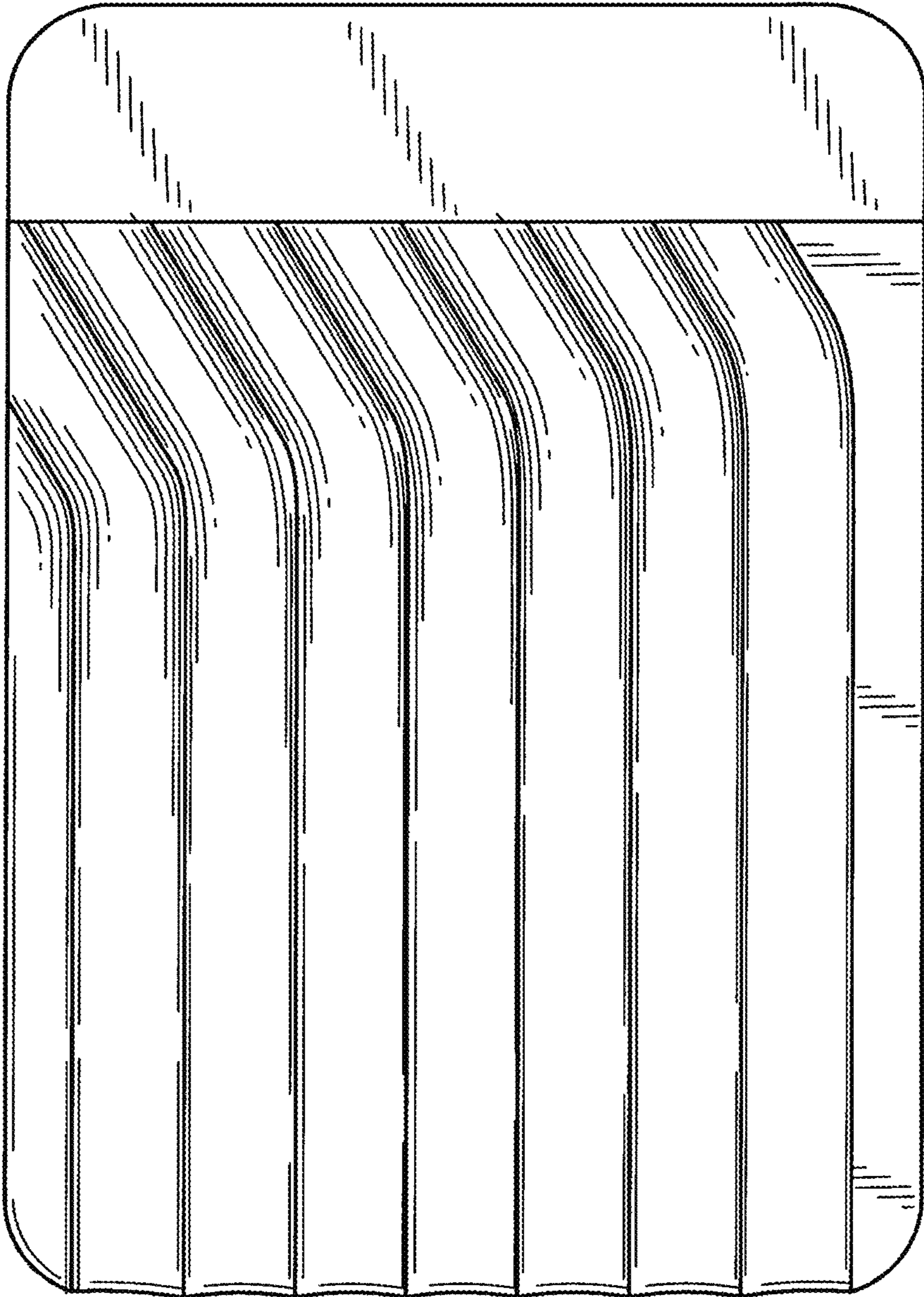
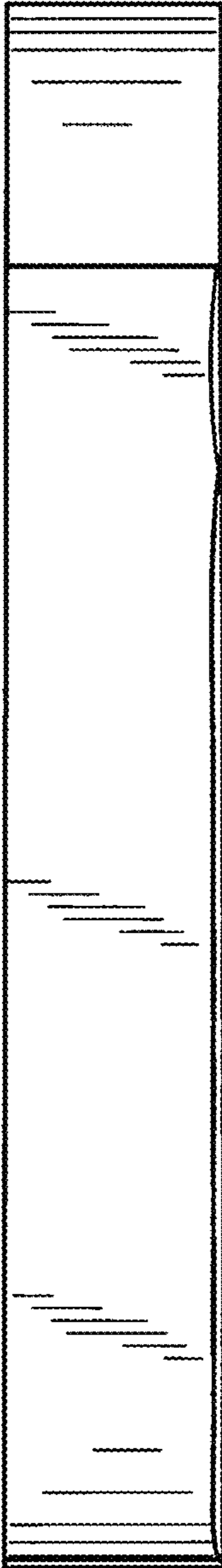
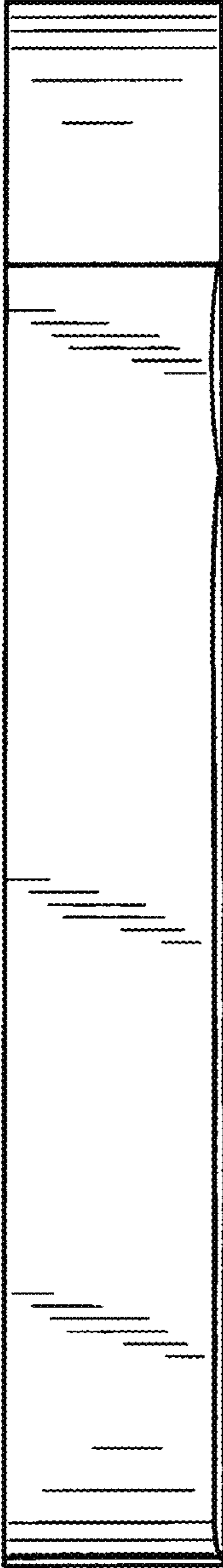


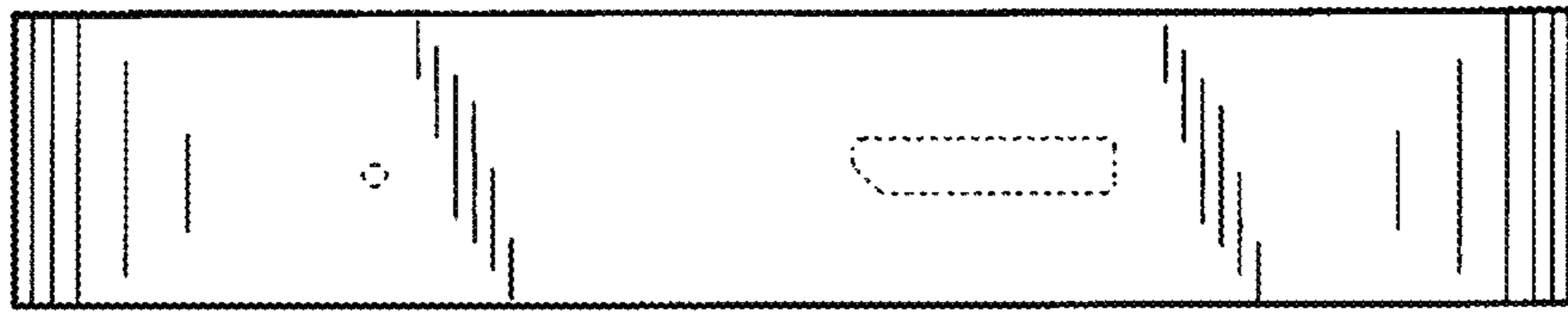
FIG. 4



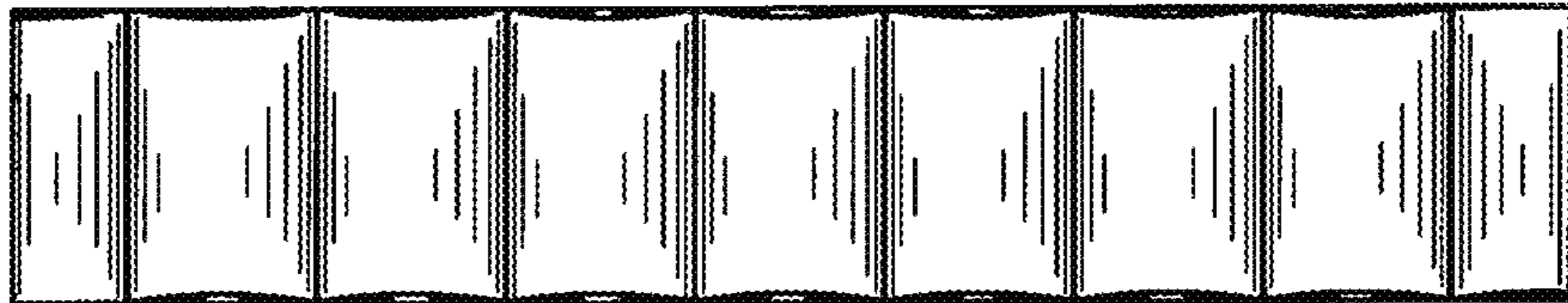
**FIG. 5**



**FIG. 6**



**FIG. 7**



**FIG. 8**