



US00D922378S

(12) **United States Design Patent** (10) **Patent No.:** **US D922,378 S**
Lin (45) **Date of Patent:** **** Jun. 15, 2021**

(54) **SMARTWATCH**

FOREIGN PATENT DOCUMENTS

(71) Applicant: **Fei Lin**, Wuping (CN)

CN 303770292 * 8/2016
CN 305092782 * 4/2019

(72) Inventor: **Fei Lin**, Wuping (CN)

(Continued)

(**) Term: **15 Years**

OTHER PUBLICATIONS

(21) Appl. No.: **29/755,342**

Why the Best Ever Apple Watch . . . , announced Oct. 4, 2020 [online], [retrieved Apr. 23, 2021]. Available from Internet, URL: <<https://www.gearpatrol.com/tech/a34099471/apple-watch-series-6-review/>> (Year: 2020).*

(22) Filed: **Oct. 20, 2020**

(Continued)

(51) **LOC (13) Cl.** **14-02**

(52) **U.S. Cl.**
USPC **D14/344**

(58) **Field of Classification Search**
USPC ... D14/344, 138 R, 144, 341, 358, 205, 223,
D14/249; D10/30-39, 70, 98; D11/3,
D11/93-94; D24/167, 169, 186-187,
D24/106, 173-175
CPC G06F 1/163; G04G 21/08; G04G 17/08;
A61B 5/681; A61B 5/0243

See application file for complete search history.

Primary Examiner — Dana K Weiland

(57) **CLAIM**

The ornamental design for a smartwatch, as shown and described.

(56) **References Cited**

DESCRIPTION

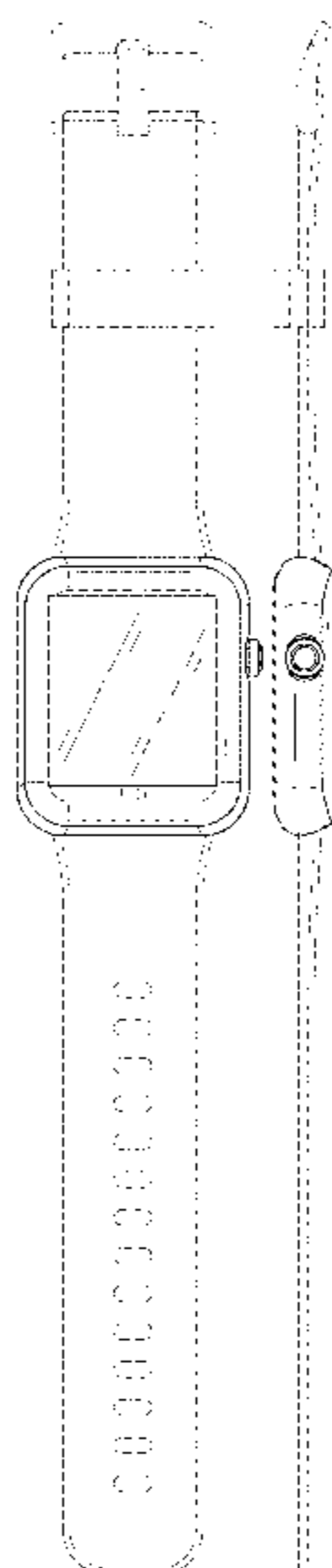
U.S. PATENT DOCUMENTS

- D638,725 S * 5/2011 Morrison D10/39
- D726,680 S * 4/2015 Kim D14/138 R
- D729,653 S * 5/2015 Nuovo D10/70
- D751,067 S 3/2016 Nousiainen
- D759,725 S * 6/2016 Akana D14/496
- D786,861 S 5/2017 Pu
- D802,587 S * 11/2017 Lee D14/344
- D828,352 S * 9/2018 Akana D14/344
- D837,206 S * 1/2019 Guan D14/344
- D852,648 S * 7/2019 Chen D10/32
- D861,677 S 10/2019 Wu
- D866,350 S * 11/2019 Park D10/38
- D867,179 S * 11/2019 Akana D10/70
- D869,462 S * 12/2019 Ke D14/344
- D876,244 S * 2/2020 Park D10/32
- D877,145 S * 3/2020 Shin D14/344
- D889,459 S * 7/2020 Zhang D14/344

(Continued)

FIG. 1 is a first perspective view of a smartwatch showing my new design;
 FIG. 2 is a second perspective view thereof;
 FIG. 3 is a front view thereof;
 FIG. 4 is a back view thereof;
 FIG. 5 is a left side view thereof;
 FIG. 6 is a right side view thereof;
 FIG. 7 is a top view thereof;
 FIG. 8 is a bottom view thereof; and,
 FIG. 9 is an enlarged view of the smartwatch shown within the encircled portion 9 in FIG. 2.
 The broken lines shown in the drawings depict portions of the smartwatch in which the design is embodied that form no part of the claimed design. The dot-dash broken line encircling the enlargement forms no part of the claimed design.

1 Claim, 9 Drawing Sheets



(56)

References Cited

U.S. PATENT DOCUMENTS

D900,809	S	*	11/2020	Gao	D14/344
D901,493	S	*	11/2020	Gao	D14/344
D912,665	S	*	3/2021	Zhang	D14/344
D914,678	S	*	3/2021	Zheng	D14/344
2018/0085058	A1	*	3/2018	Chakravarthi	...	A61B 5/150022
2018/0220754	A1	*	8/2018	Strebe	A44C 5/0053
2021/0052188	A1	*	2/2021	Gorbunov	A61B 5/681
2021/0052221	A1	*	2/2021	Panneer Selvam	A61B 5/486

FOREIGN PATENT DOCUMENTS

CN	306070700	*	9/2020
CN	306229445	*	12/2020
CN	306380828	*	3/2021
CN	306420529	*	3/2021
CN	306430729	*	4/2021

OTHER PUBLICATIONS

Apple Watch Series 4, date first available Mar. 17, 2019 [online], [retrieved Apr. 23, 2021]. Available from Internet, URL: <https://www.amazon.com/Apple-Watch-44mm-Space-Aluminum/dp/B07PS9D7GW/ref=sr_1_23?dchild=1&qid=1619218789&s=wearable-tech&sr=1-23> (Year: 2019).*

Willful Smart Watch, date first available Oct. 9, 2019 [online], [retrieved Apr. 23, 2021]. Available from Internet, URL: <https://www.amazon.com/Willful-Compatible-Swimming-Waterproof-Smartwatch/dp/B07YWS4QTH/ref=psdc_7939901011_t5_B07NFMNQB> (Year: 2019).*

Virmee VT3 Plus Fitness Tracker, date first available Sep. 2, 2020 [online], [retrieved Apr. 23, 2021]. Available from Internet, URL: <https://www.amazon.com/Virmee-Tracking-Waterproof-Smartwatch-Compatible/dp/B08H84NGZL/ref=sr_1_19?dchild=1&keywords=smart+watch+without+lugs&qid=1619222404&sr=8-19> (Year: 2020).*

* cited by examiner

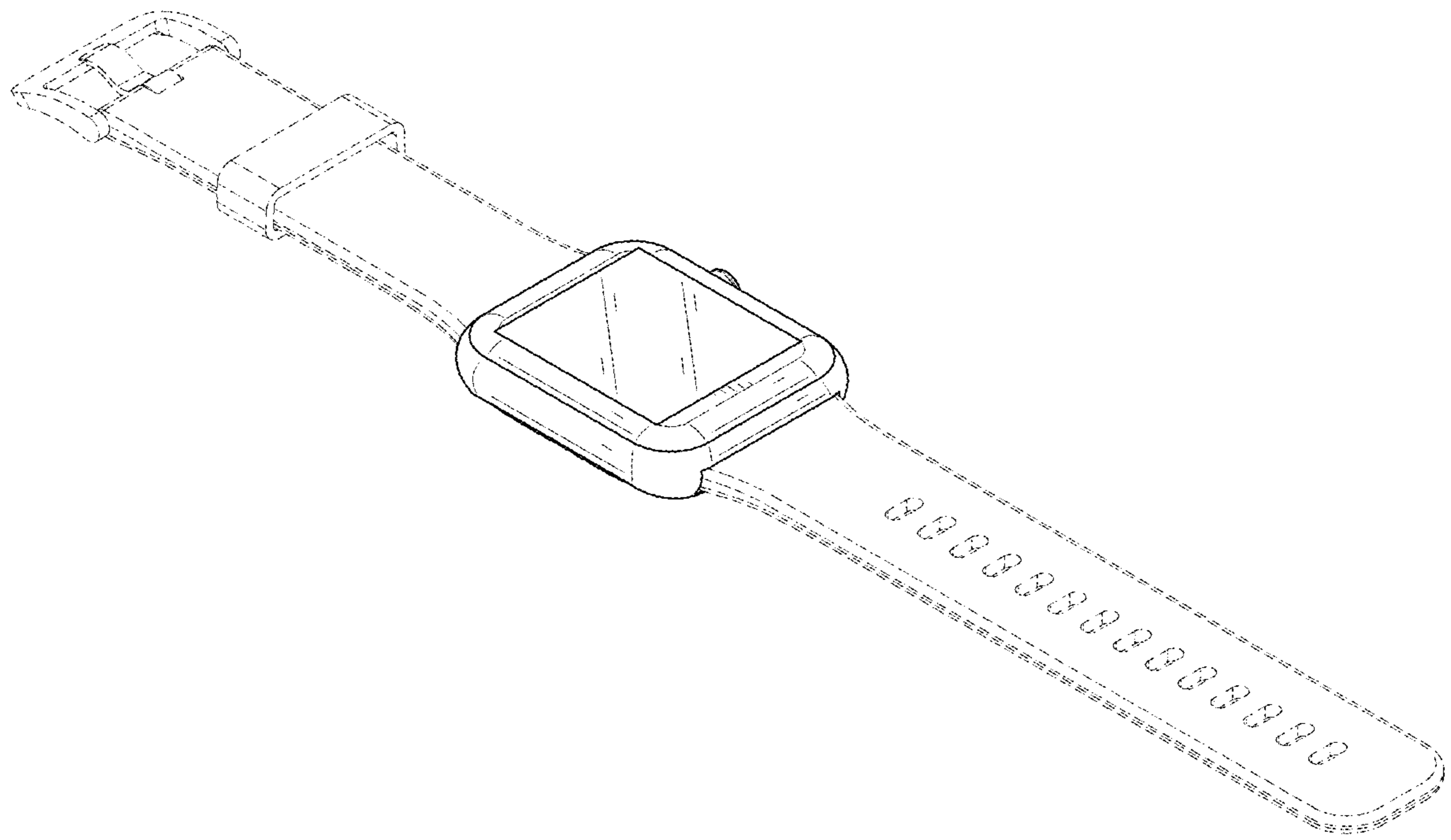


FIG. 1

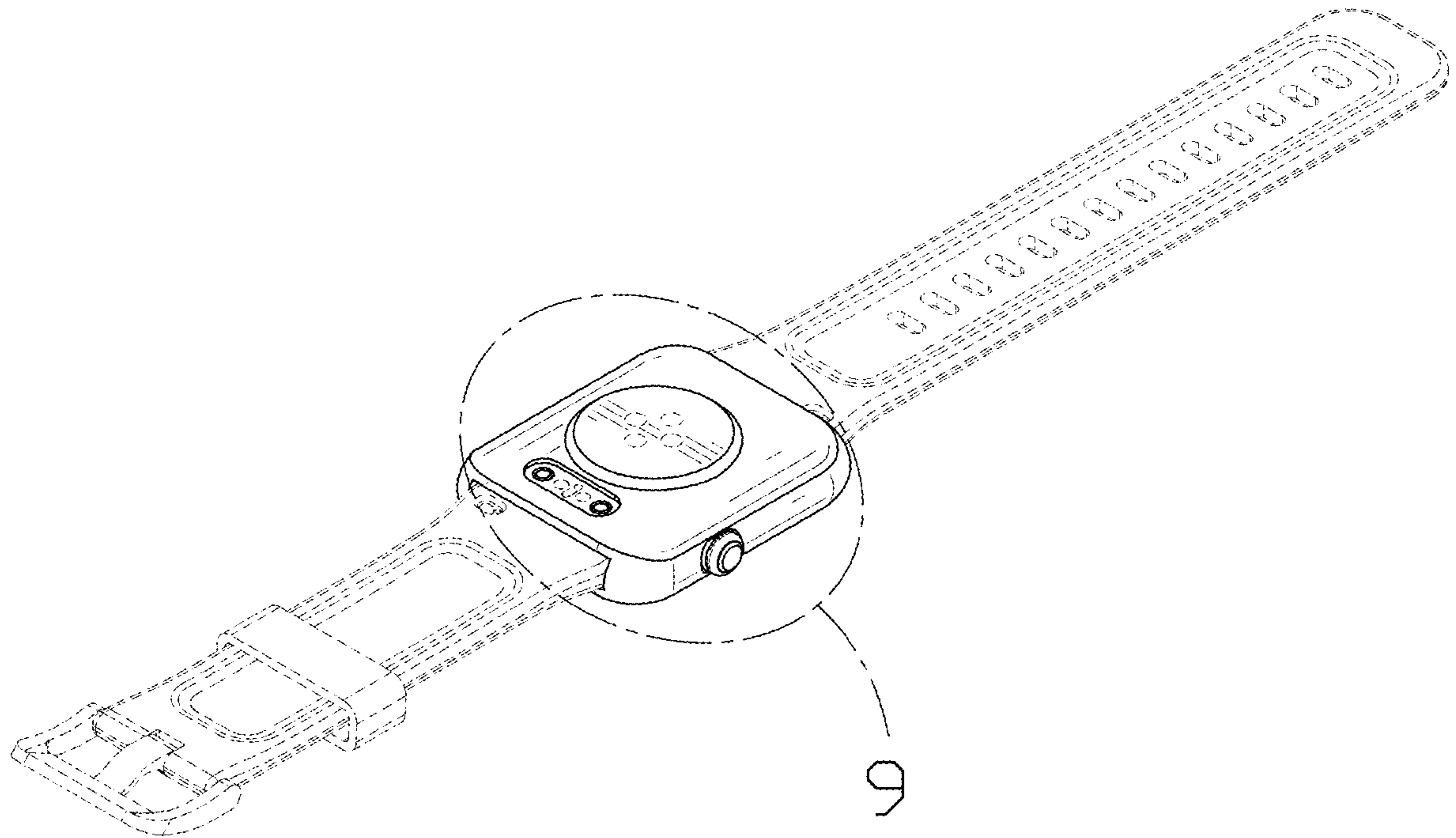


FIG. 2

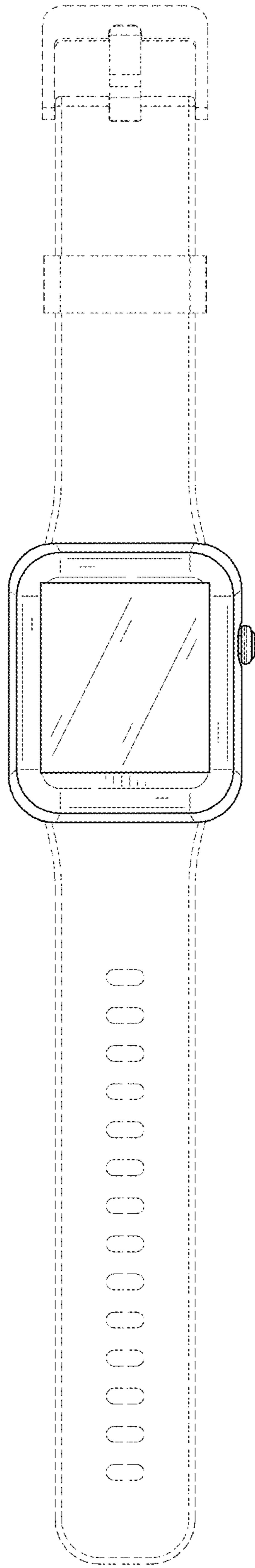


FIG. 3

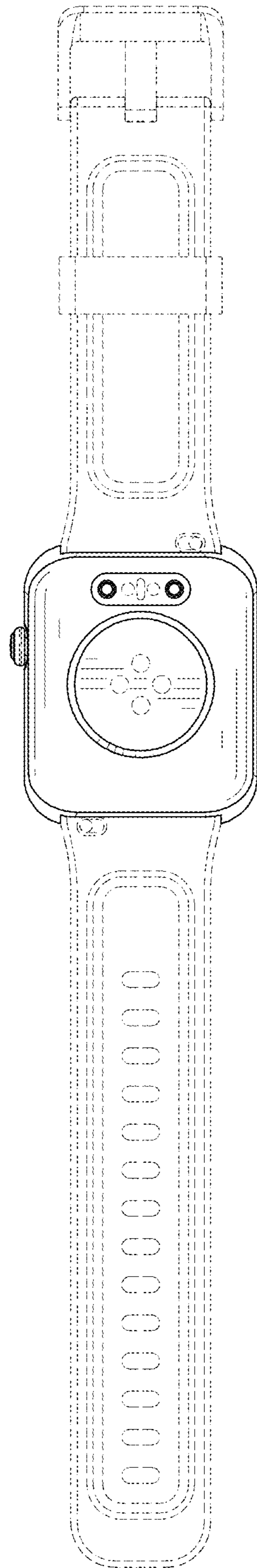


FIG. 4

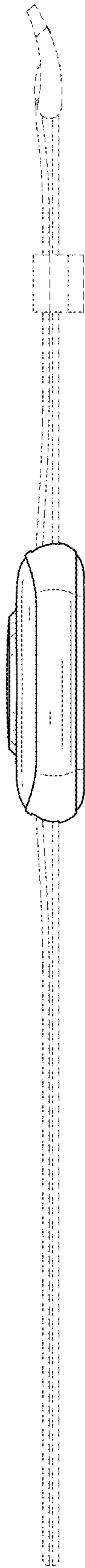


FIG. 5

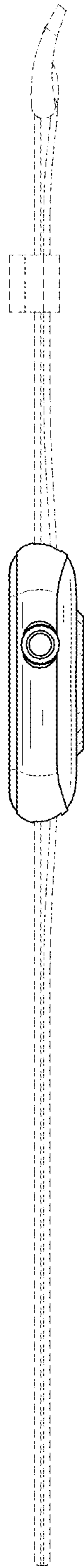


FIG. 6



FIG. 7

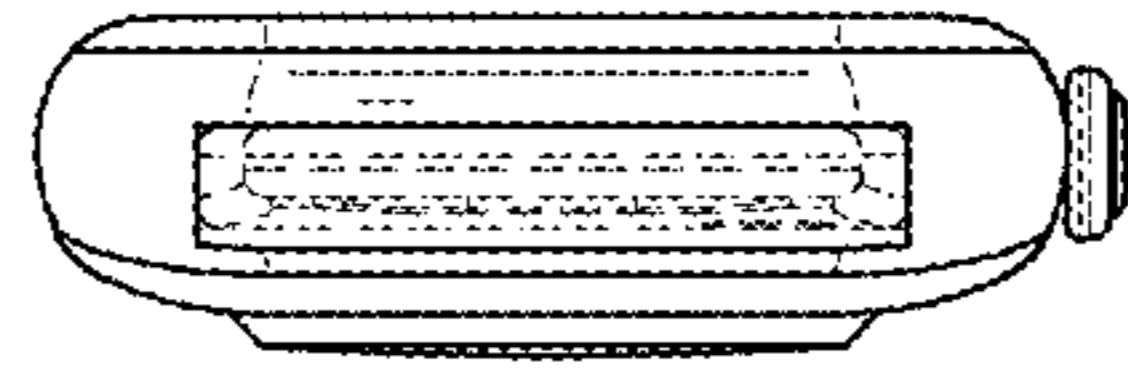


FIG. 8

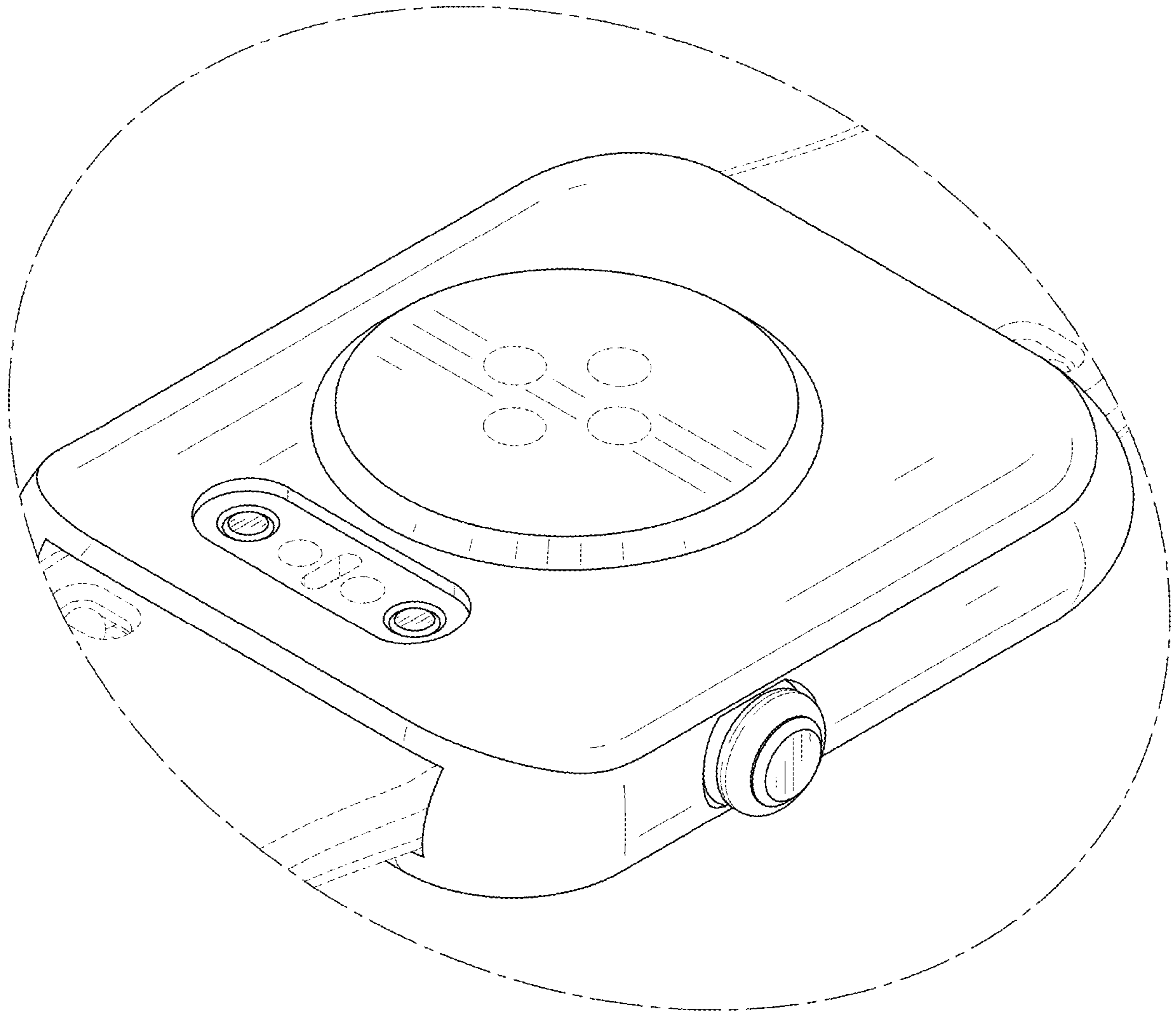


FIG. 9