



US00D922375S

(12) **United States Design Patent**  
**Gill**

(10) **Patent No.:** **US D922,375 S**

(45) **Date of Patent:** **\*\* Jun. 15, 2021**

(54) **WEARABLE WATCH TYPE DEVICE**

D696,259 S \* 12/2013 Howarth ..... D14/447  
D726,672 S \* 4/2015 Olodort ..... D14/138 G  
D770,430 S \* 11/2016 Lee ..... D14/240

(71) Applicant: **T-Mobile USA, Inc.**, Bellevue, WA  
(US)

(Continued)

(72) Inventor: **Dolores Gill**, Bellevue, WA (US)

*Primary Examiner* — Sheryl Lane

*Assistant Examiner* — Calvin E Vansant

(73) Assignee: **T-Mobile USA, Inc.**, Bellevue, WA  
(US)

(74) *Attorney, Agent, or Firm* — Han Santos, PLLC

(\*\*) Term: **15 Years**

(57) **CLAIM**

(21) Appl. No.: **29/641,071**

The ornamental design for a wearable watch type device, as shown and described.

(22) Filed: **Mar. 19, 2018**

**DESCRIPTION**

(51) **LOC (13) Cl.** ..... **14-02**

(52) **U.S. Cl.**  
USPC ..... **D14/344**

(58) **Field of Classification Search**  
USPC ... D14/138 R, 144, 341, 344, 358, 388, 218,  
D14/485-495; D10/30-39, 70, 98;  
D11/3, 4, 26, 93-94, 78.1, 79, 86;  
D24/167, 169, 186-187, 164  
CPC ..... A41D 1/002; A41D 19/0034; G06F 1/04;  
G06F 1/08; G06F 1/10; G06F 1/14; G06F  
1/1626; G06F 1/1628; G06F 1/163; G06F  
1/1635; G06F 1/3203; G06Q 20/10;  
G06Q 20/12; G06Q 20/108; G06Q  
20/145; H04B 1/3833; H04B 1/385;  
H04B 1/3888; H04M 1/02; H04M 1/03;  
H04M 1/04; H04M 1/05; H04M 1/667;  
H04M 1/6058; Y02B 60/1217  
See application file for complete search history.

FIG. 1 is a top, right, and front perspective view of a wearable watch type device, shown in an environment of use;  
FIG. 2 is a top, right, and front perspective view of the wearable watch type device, shown removed from the environment of use;  
FIG. 3 is a top, right, and front perspective view of the wearable watch type device thereof, shown with the battery separated;  
FIG. 4 is a bottom, left, and back perspective view of the wearable watch type device, shown in an environment of use;  
FIG. 5 is a bottom, left, and back perspective view of the wearable watch type device, shown removed from the environment of use;  
FIG. 6 is a front elevation view thereof;  
FIG. 7 is a back elevation view thereof;  
FIG. 8 is a right side elevation view thereof;  
FIG. 9 is a left side elevation view thereof;  
FIG. 10 is a top plan view thereof; and,  
FIG. 11 is a bottom plan view thereof.

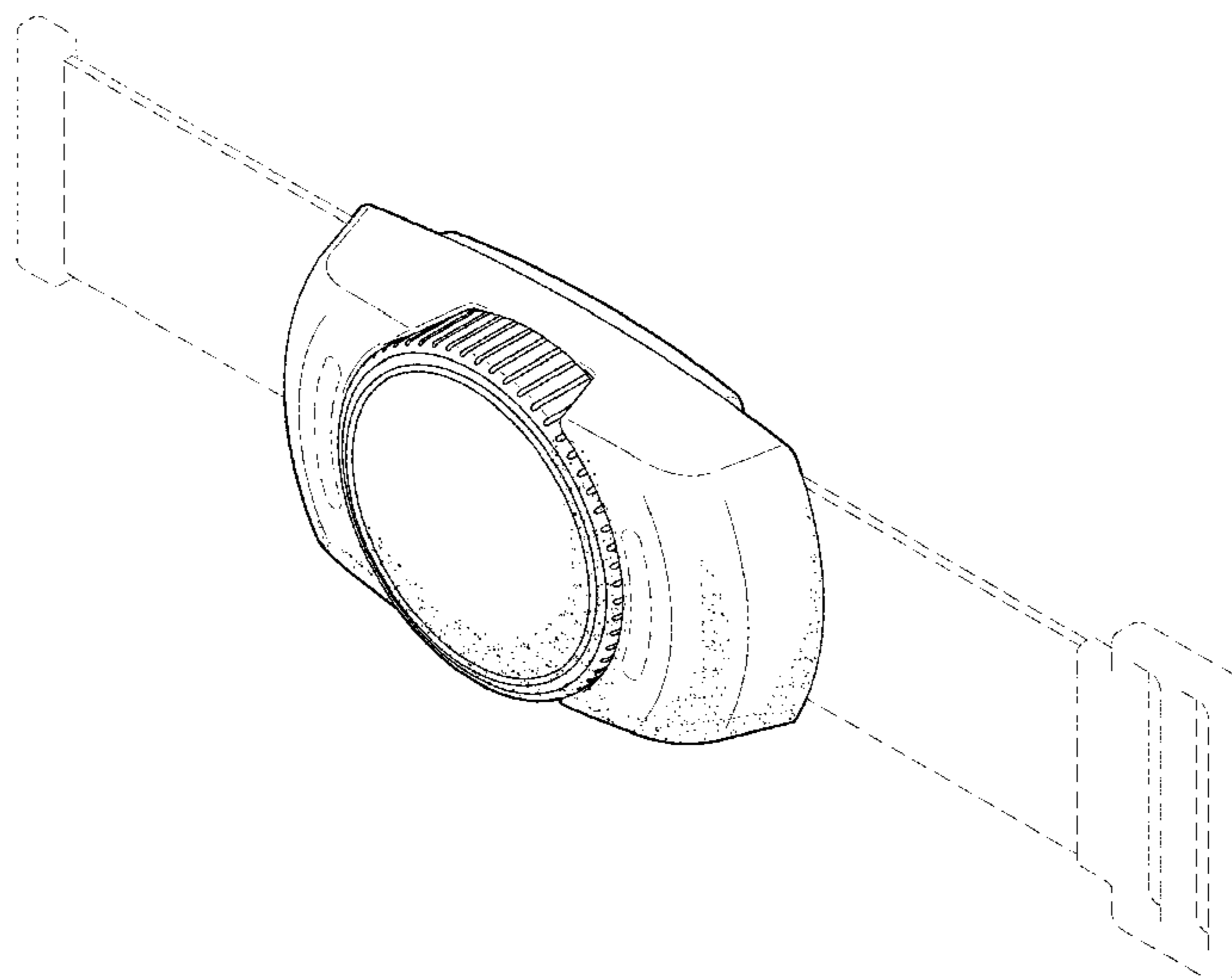
(56) **References Cited**

**U.S. PATENT DOCUMENTS**

D157,607 S \* 3/1950 Lachman ..... D10/38  
D640,143 S \* 6/2011 Virgili ..... D10/32  
8,087,625 B2 \* 1/2012 Chang ..... F16B 47/00  
248/205.5  
D684,694 S \* 6/2013 Green ..... A61B 17/132  
D24/169

The broken lines showing of a band in FIGS. 1 and 4 depict an environment of use. The remaining broken lines shown in the drawings depict portions of the wearable watch type device. The broken lines form no part of the claimed design.

**1 Claim, 6 Drawing Sheets**



(56)

**References Cited**

U.S. PATENT DOCUMENTS

D794,556 S *	8/2017	Liao .....	D13/107
9,897,974 B2 *	2/2018	Nicolas .....	G04G 17/06
D823,703 S *	7/2018	Pan .....	D10/65
D838,267 S *	1/2019	Zhang .....	D14/253
D873,260 S *	1/2020	Dang .....	D14/253

\* cited by examiner

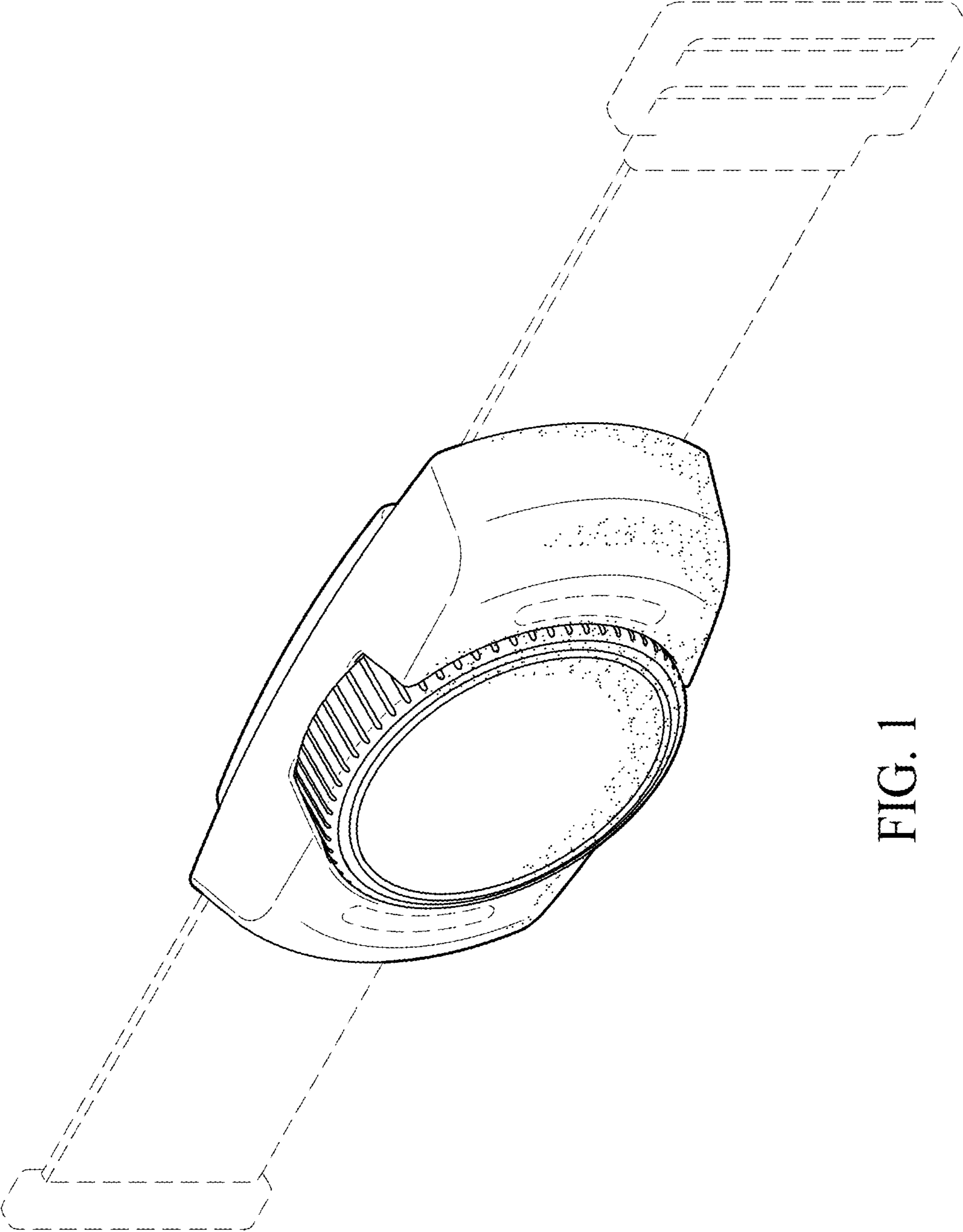


FIG. 1

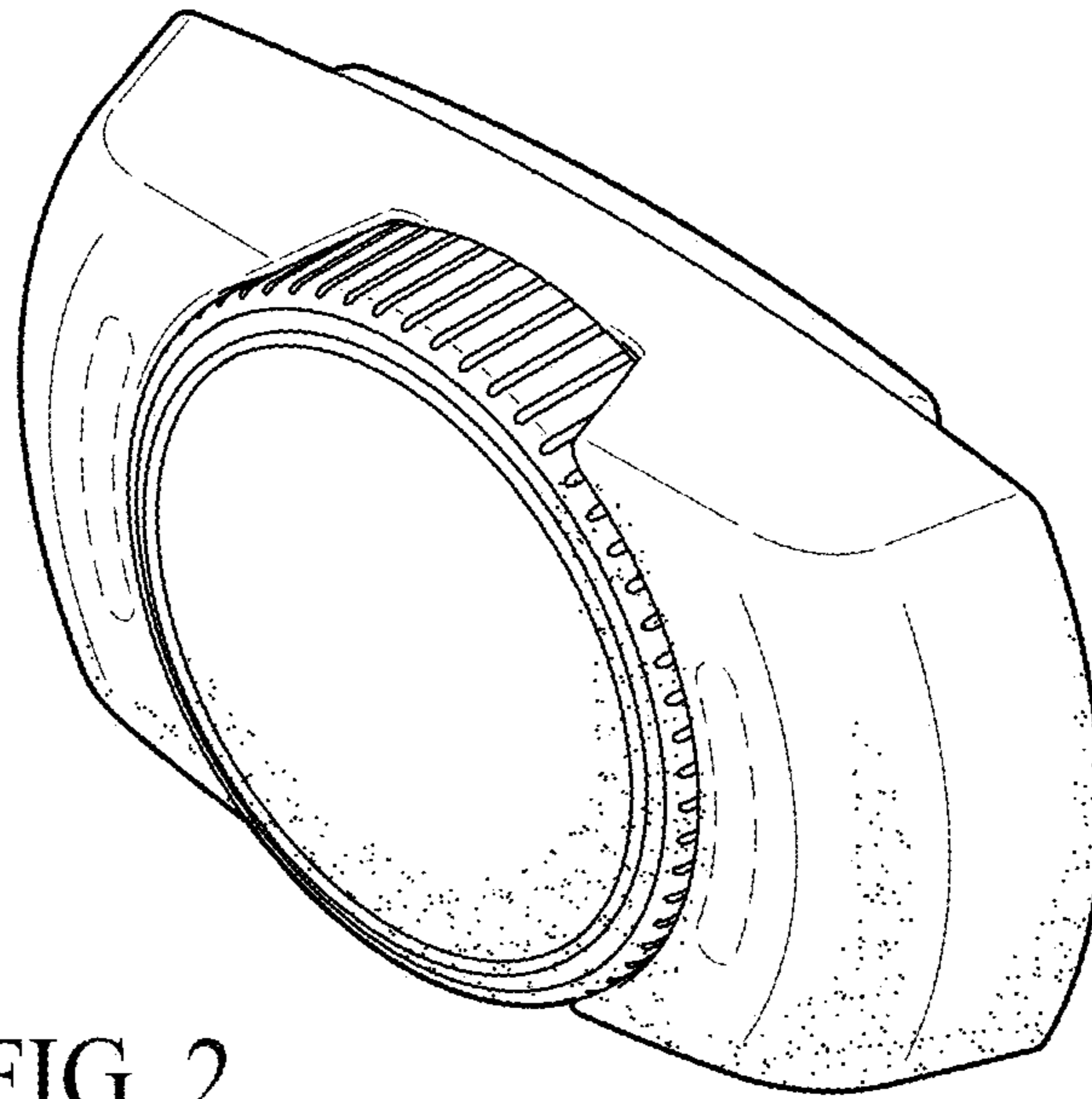


FIG. 2

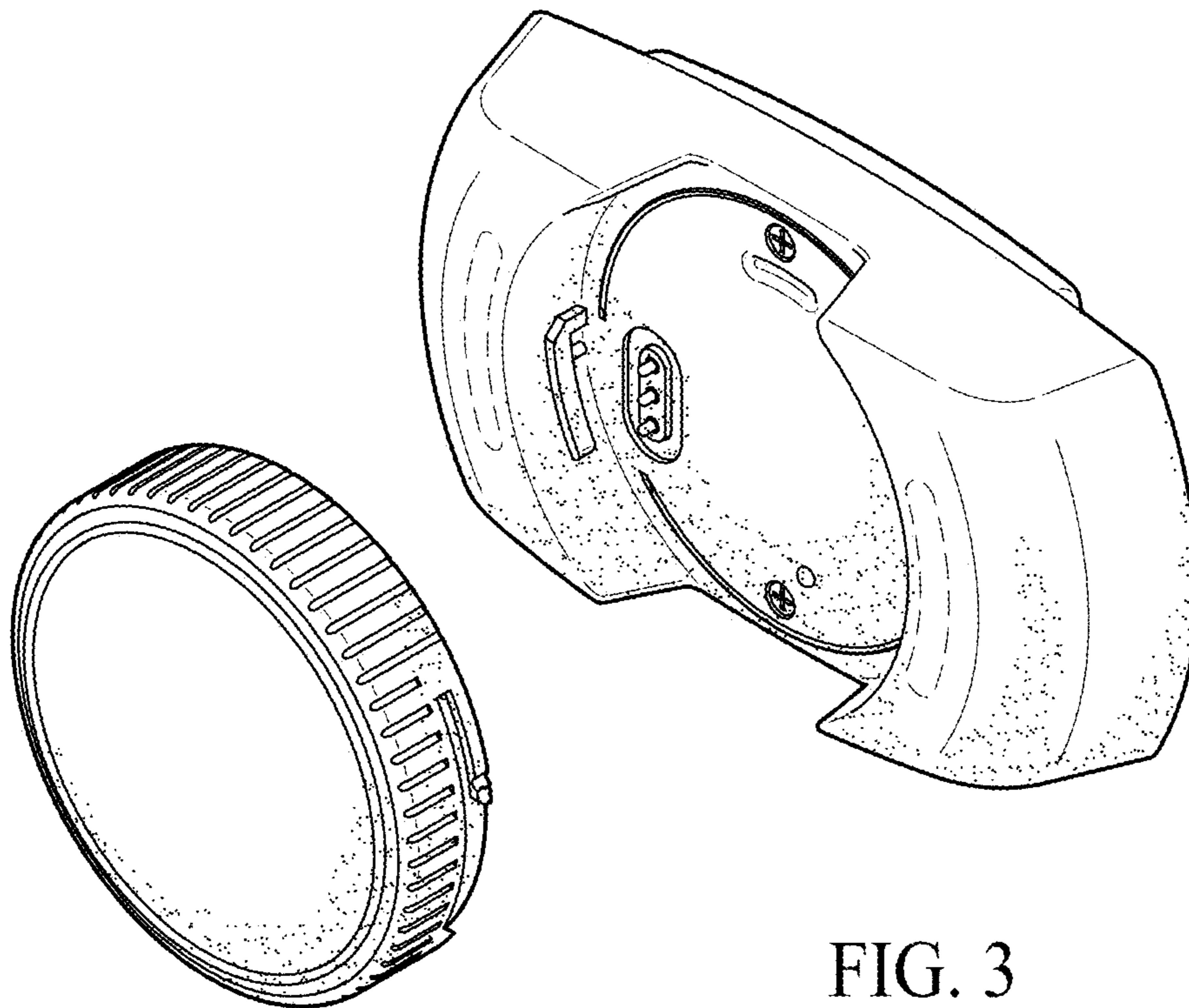


FIG. 3

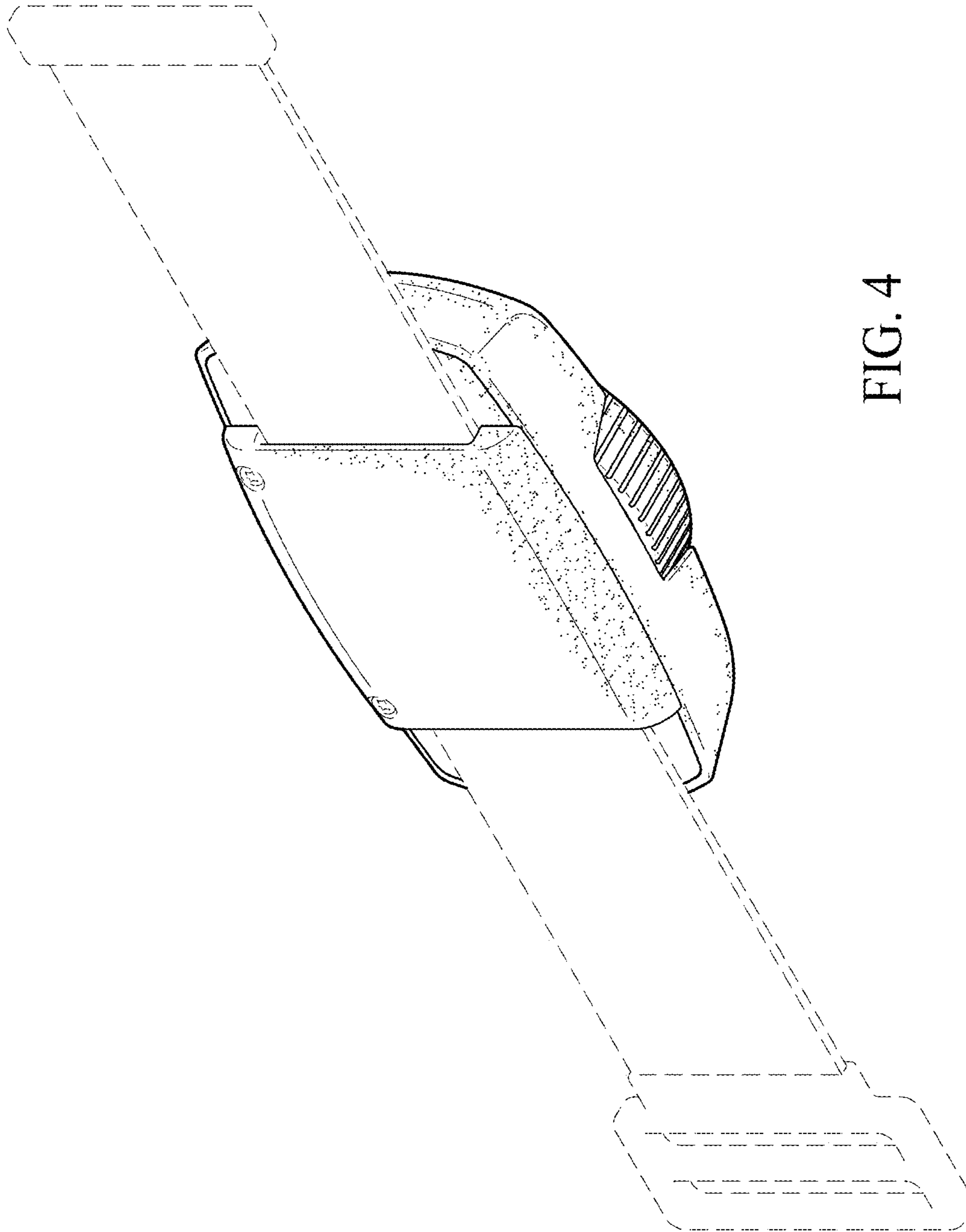


FIG. 4

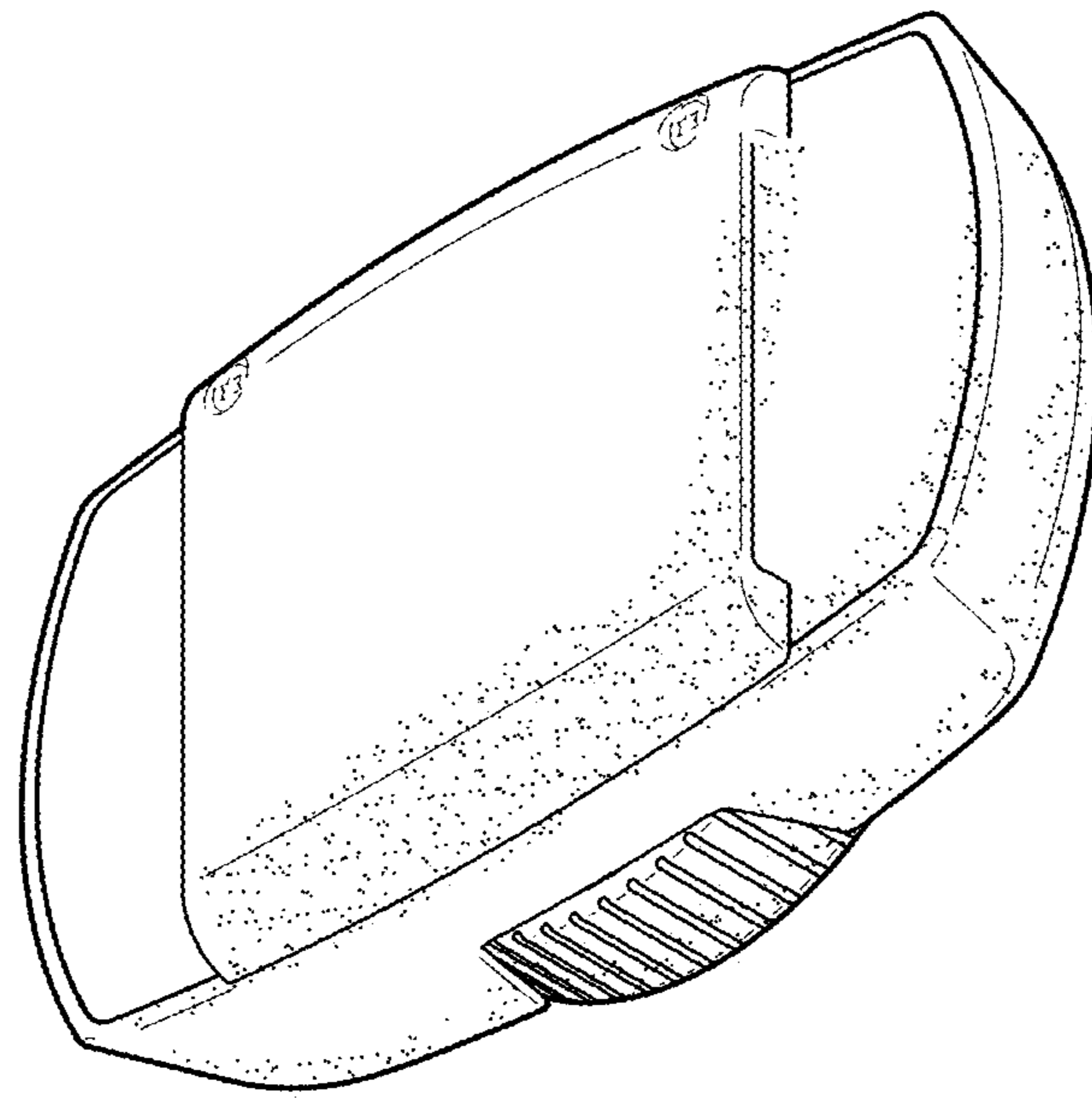


FIG. 5

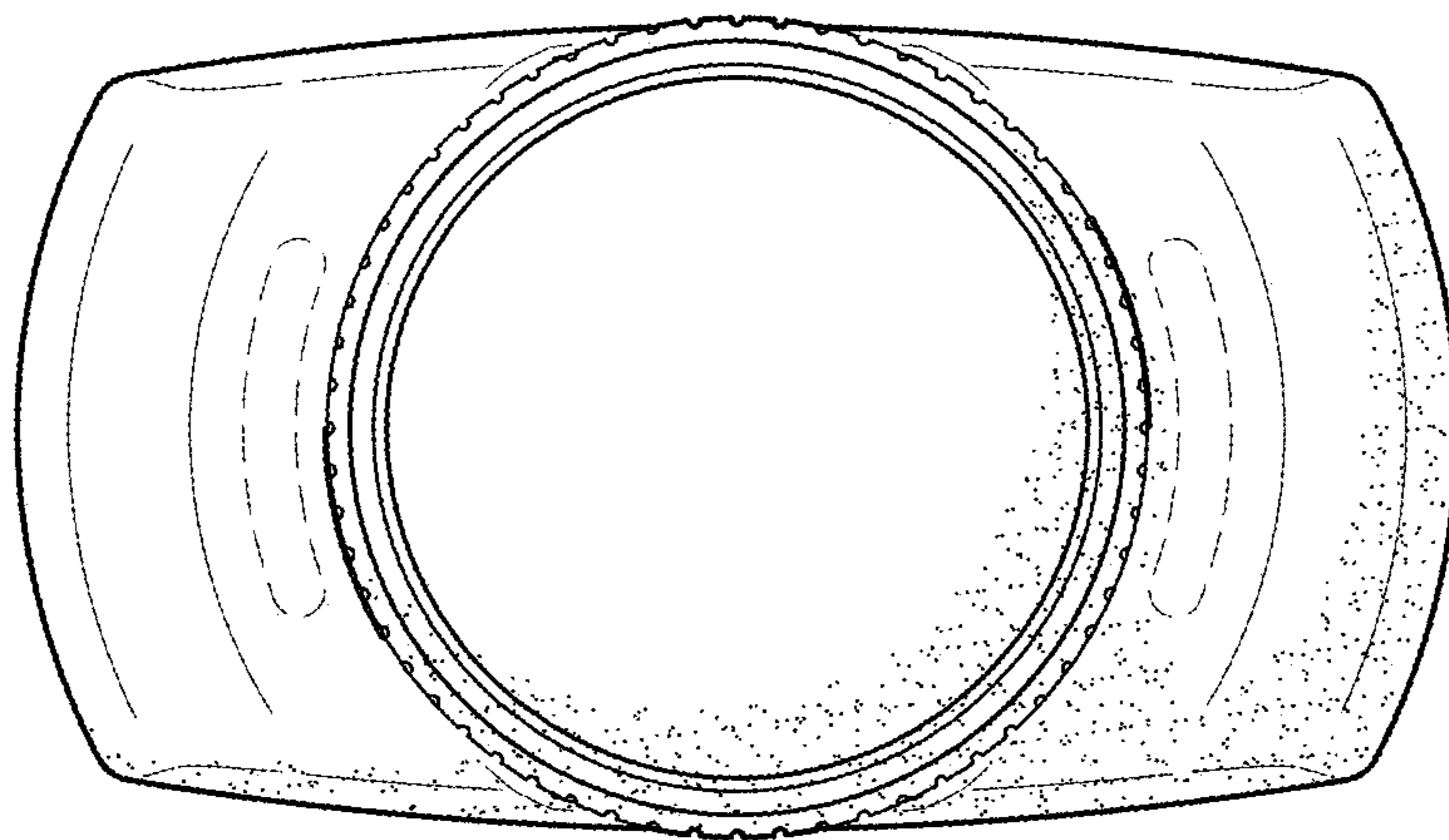


FIG. 6

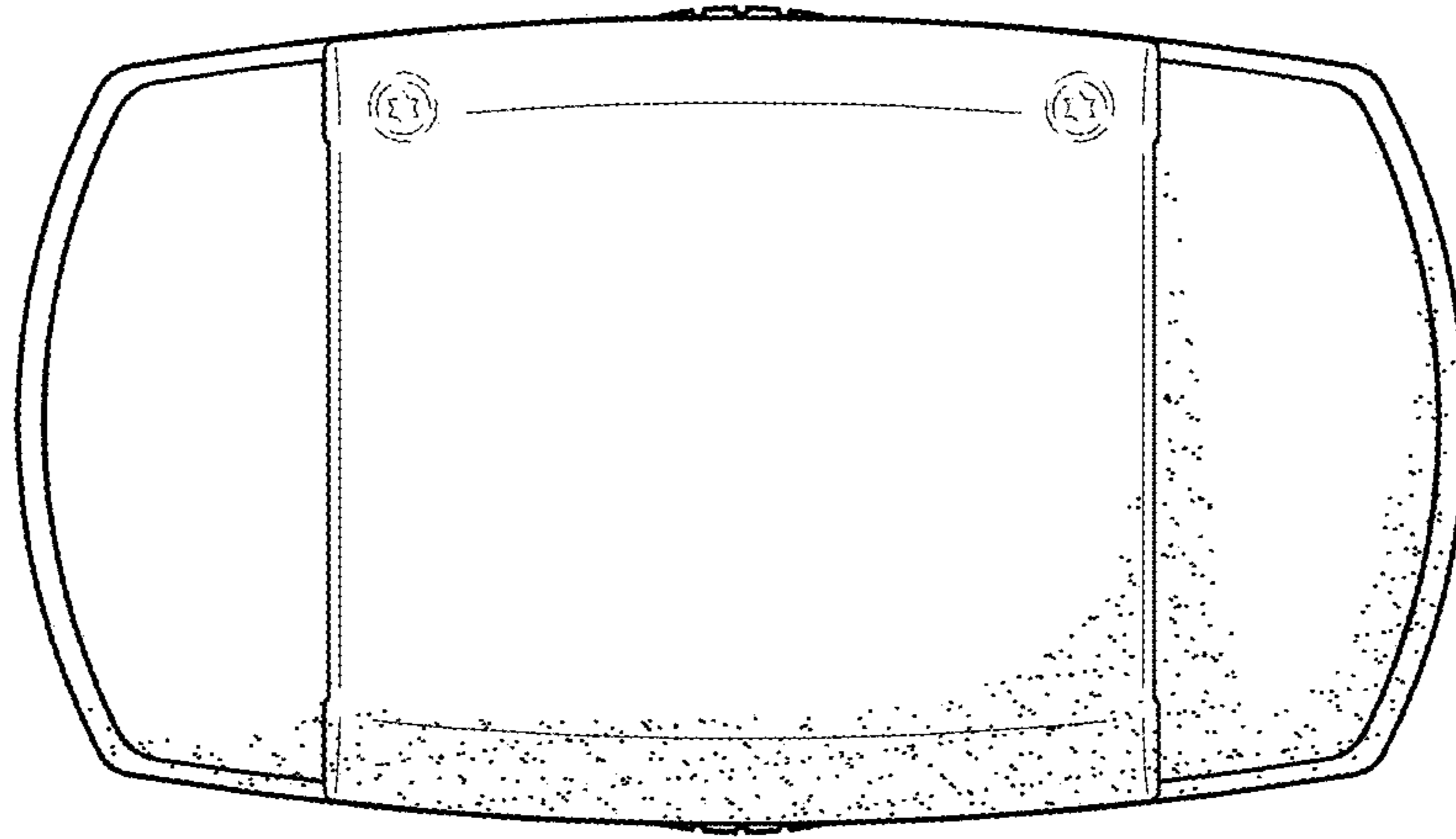


FIG. 7

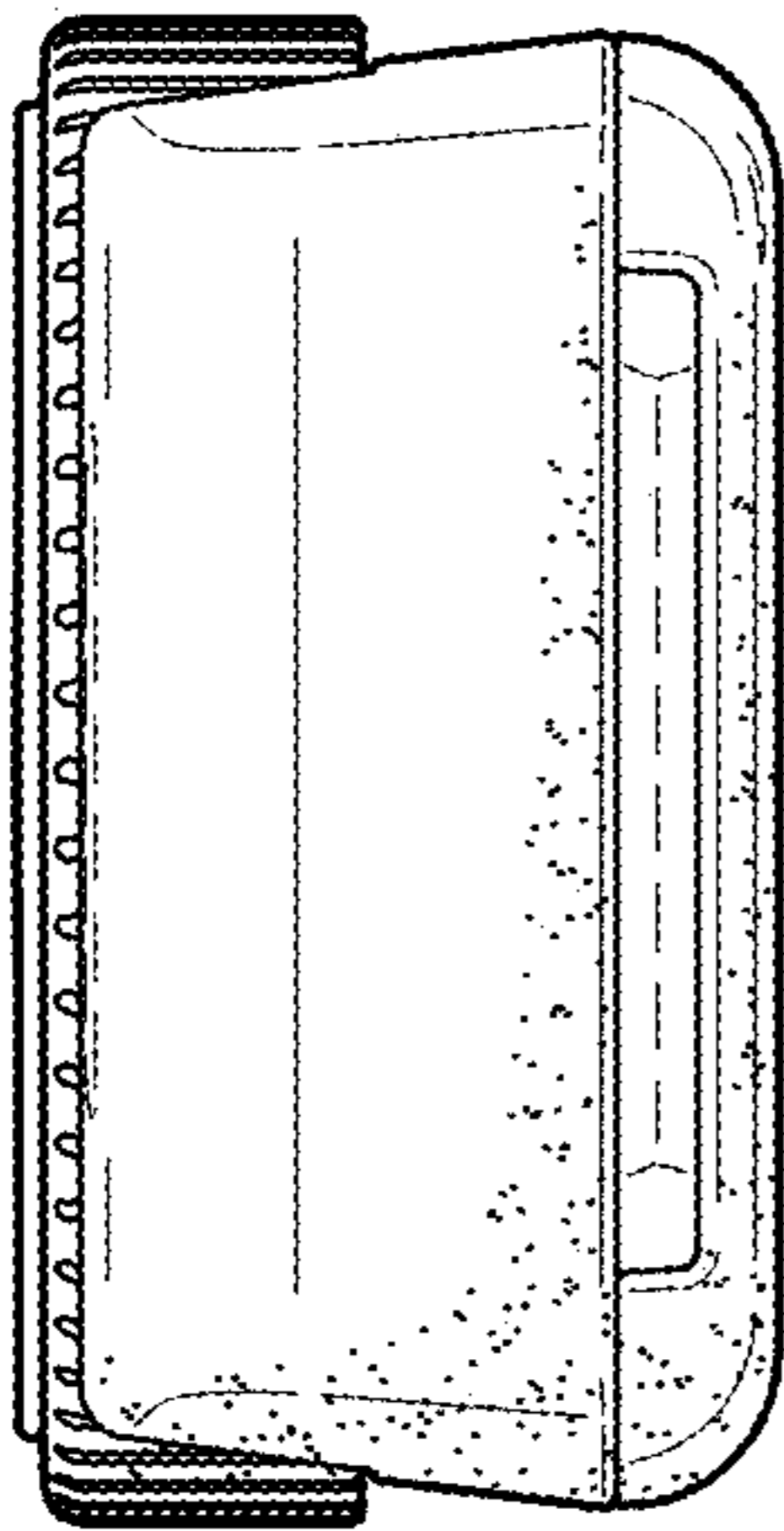


FIG. 8

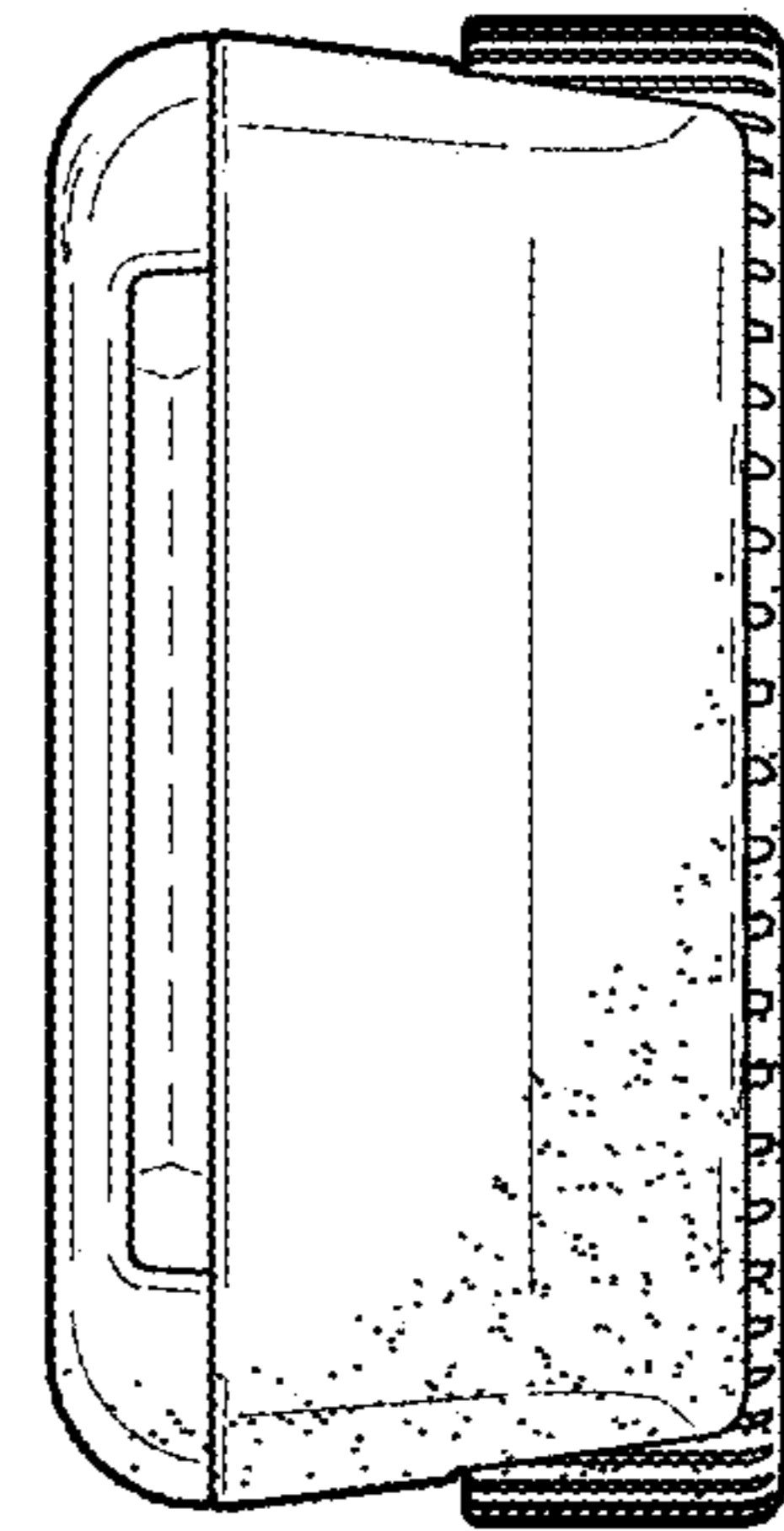


FIG. 9

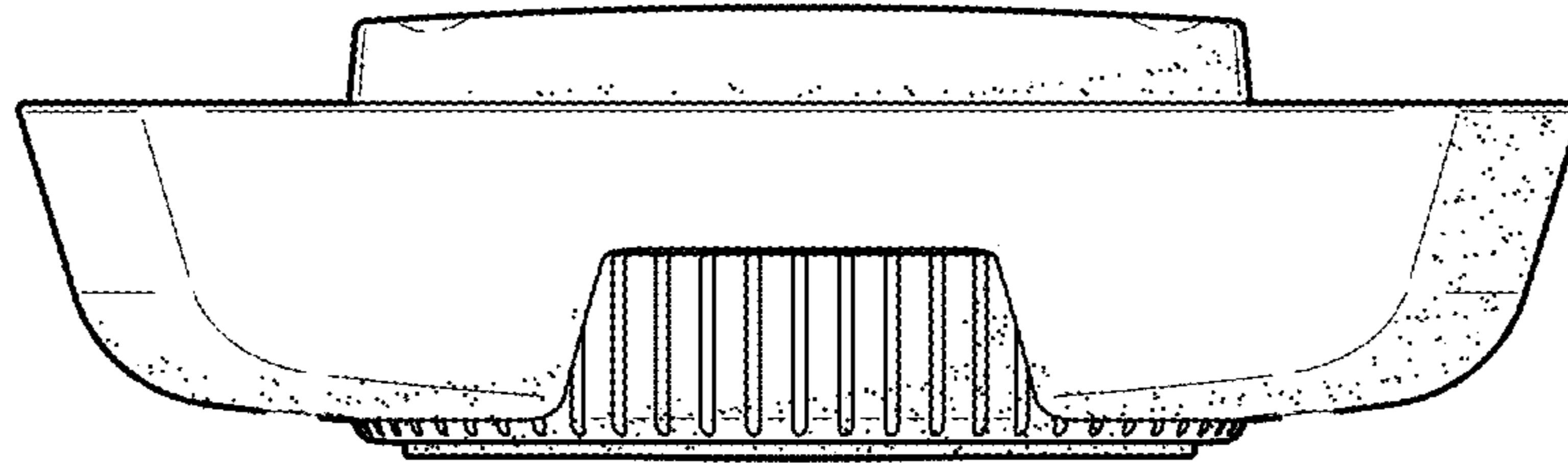


FIG. 10

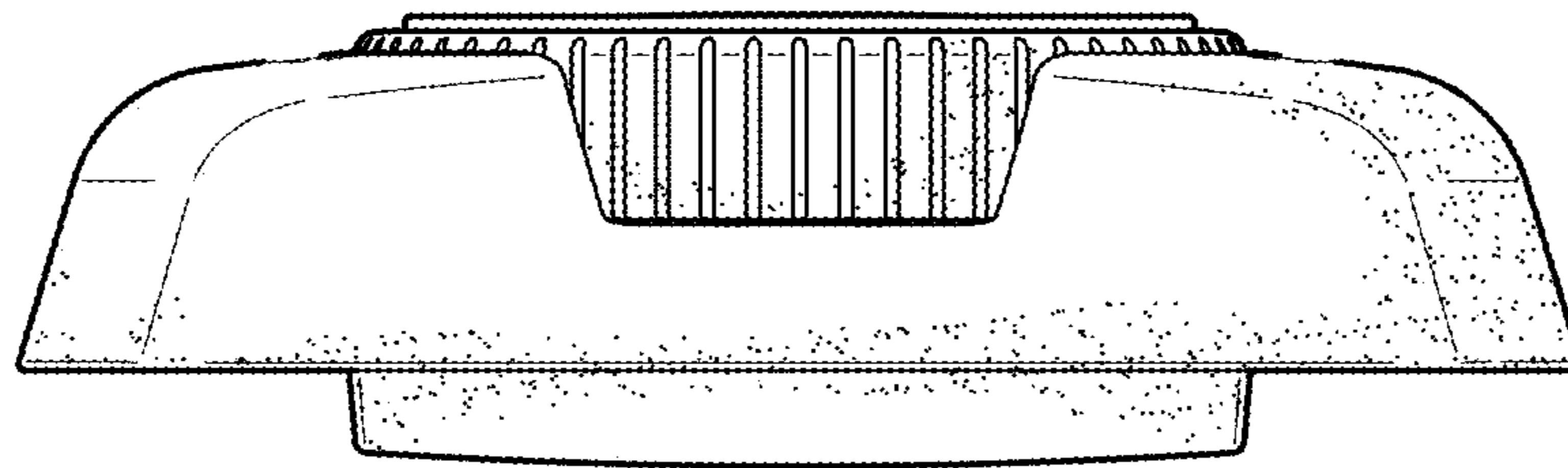


FIG. 11