



US00D922371S

(12) **United States Design Patent** (10) **Patent No.:** **US D922,371 S**  
**Lu** (45) **Date of Patent:** **\*\* Jun. 15, 2021**

(54) **PORTABLE ELECTRONIC DEVICE**

D626,123 S \* 10/2010 Peng ..... D14/324  
D628,196 S \* 11/2010 Li ..... D14/324  
D649,149 S \* 11/2011 Peng ..... D14/315

(71) Applicant: **GETAC TECHNOLOGY CORPORATION**, Hsinchu County (TW)

(Continued)

(72) Inventor: **Wei-Sen Lu**, Taipei (TW)

**FOREIGN PATENT DOCUMENTS**

(73) Assignee: **GETAC TECHNOLOGY CORPORATION**, Hsinchu County (TW)

CN 305179093 \* 5/2019  
CN 305453048 \* 11/2019  
EM 005380011-0002 \* 7/2018

(\*\*) Term: **15 Years**

**OTHER PUBLICATIONS**

(21) Appl. No.: **29/656,336**

Getac S410 G2, announced Oct. 2017 [online], [retrieved Dec. 4, 2020]. Available from Internet, URL: <[https://www.ruggedpreview.com/3\\_notebooks\\_getac\\_s410\\_g2.html](https://www.ruggedpreview.com/3_notebooks_getac_s410_g2.html)> (Year: 2017).\*

(22) Filed: **Jul. 11, 2018**

(Continued)

(51) **LOC (13) Cl.** ..... **14-02**

*Primary Examiner* — Dana K Weiland

(52) **U.S. Cl.**  
USPC ..... **D14/341**

(57) **CLAIM**

(58) **Field of Classification Search**

The ornamental design is for a portable electronic device, as shown and described.

USPC ..... D14/315–318, 341–347, 420, 426, 240, D14/129–130, 496, 137, 138 R, 138 AA, D14/138 AB, 138 AC, 138 AD, 138 C, D14/138 G, 147, 203.1–203.8, 218, 247, D14/371, 248, 388–389, 374, 429, 453; D10/104.1, 50, 65; D21/324, 329, 330, D21/332

**DESCRIPTION**

CPC .... G06F 1/1626; G06F 1/1613; G06F 3/0488; G06F 3/04886; G06F 3/041; G06F 3/0412; G06F 3/0416; H04M 1/725; H04M 1/0202; H04M 1/0266

FIG. 1 is a top, front and right side perspective view of a portable electronic device showing my new design; FIG. 2 is a top, rear and left side perspective view thereof; FIG. 3 is a bottom, rear and left side perspective view thereof; FIG. 4 is a front view thereof; FIG. 5 is a rear view thereof; FIG. 6 is a left side view thereof; FIG. 7 is a right side view thereof; FIG. 8 is a top view thereof; and, FIG. 9 is a bottom view thereof.

See application file for complete search history.

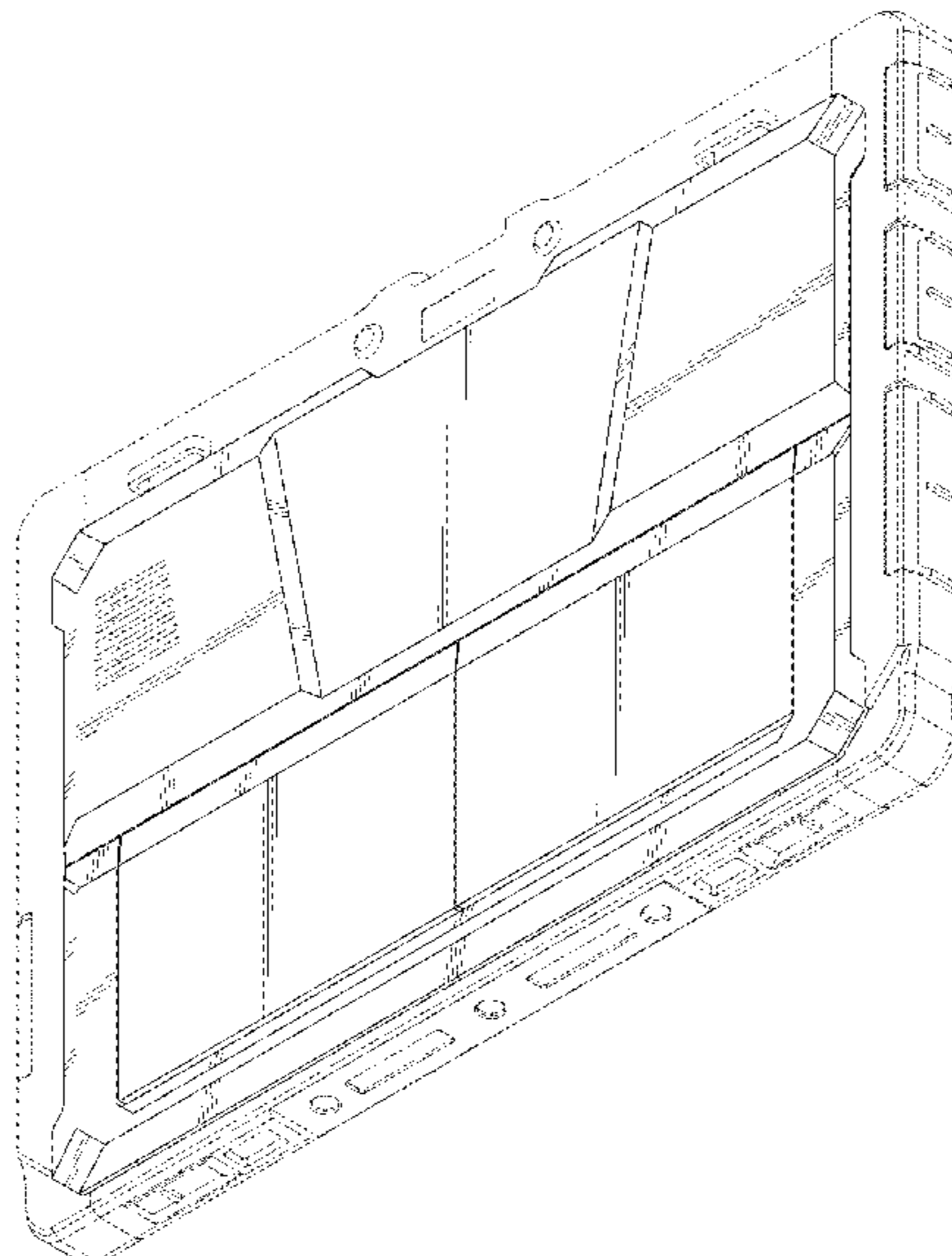
The broken lines shown in the drawings depict portions of the portable electronic device that form no part of the claimed design.

(56) **References Cited**

**U.S. PATENT DOCUMENTS**

D456,398 S \* 4/2002 Horiki ..... D14/318  
D558,754 S \* 1/2008 Takemasa ..... D14/328  
D561,616 S \* 2/2008 Park ..... D10/65  
D623,648 S \* 9/2010 Hsu ..... D14/324  
D624,067 S \* 9/2010 Peng ..... D14/315

**1 Claim, 7 Drawing Sheets**



(56)

References Cited

U.S. PATENT DOCUMENTS

8,411,432 B1 \* 4/2013 Zimlin ..... G06F 1/1658  
 361/679.55  
 D702,679 S \* 4/2014 Li ..... D14/324  
 D722,598 S \* 2/2015 Leonard ..... D14/315  
 D724,093 S \* 3/2015 Dong ..... D14/440  
 D729,644 S \* 5/2015 Browning ..... D10/65  
 D733,154 S \* 6/2015 Armstrong ..... D14/440  
 D742,371 S \* 11/2015 Bopp ..... D14/336  
 D743,392 S \* 11/2015 Ju ..... D14/341  
 D767,564 S \* 9/2016 Li ..... D14/341  
 D785,612 S \* 5/2017 Kim ..... D14/248  
 D804,468 S \* 12/2017 Armstrong ..... D14/315  
 D806,083 S \* 12/2017 Armstrong ..... D14/440  
 D818,466 S \* 5/2018 Chang ..... D14/341  
 D822,016 S \* 7/2018 Zhong ..... D14/341  
 D826,931 S \* 8/2018 Chang ..... D14/341  
 D828,349 S \* 9/2018 Nagai ..... D14/318  
 10,372,167 B1 \* 8/2019 Hsu ..... G06F 1/1635  
 10,452,107 B2 \* 10/2019 Katsuyama ..... G06F 1/1656  
 D868,790 S \* 12/2019 Weng ..... D14/440  
 D879,771 S \* 3/2020 Lu ..... D14/328  
 D902,935 S \* 11/2020 Li ..... D14/440  
 D904,414 S \* 12/2020 Hyun ..... D14/440

D906,338 S \* 12/2020 Hyun ..... D14/440  
 D906,339 S \* 12/2020 Hyun ..... D14/440  
 D908,132 S \* 1/2021 Poon ..... D14/440  
 10,884,453 B2 \* 1/2021 Armstrong ..... A45C 11/00  
 D910,008 S \* 2/2021 Shi ..... D14/341  
 D910,026 S \* 2/2021 Li ..... D14/440  
 D913,969 S \* 3/2021 Lin ..... D13/156  
 10,935,183 B2 \* 3/2021 Zhong ..... F16M 13/005  
 D915,397 S \* 4/2021 Biggadike ..... D14/341  
 2017/0045920 A1 \* 2/2017 Armstrong ..... G06F 1/1626  
 2017/0283138 A1 \* 10/2017 Mori ..... E05F 1/00  
 2017/0285692 A1 \* 10/2017 Mori ..... E05B 65/0067  
 2017/0285693 A1 \* 10/2017 Mori ..... G06F 1/1616  
 2017/0346523 A1 \* 11/2017 Nyholm ..... A45C 11/00  
 2019/0361503 A1 \* 11/2019 Kuriyama ..... G06F 1/1679  
 2020/0318781 A1 \* 10/2020 Zhong ..... G06F 1/1656  
 2021/0092858 A1 \* 3/2021 Chou ..... G06F 1/1656

OTHER PUBLICATIONS

Getac announces the K120, announced Sep. 20, 2018 [online], [retrieved Dec. 4, 2020]. Available from Internet, URL: <<https://www.digitimes.com/news/a20180917PR202.html?chid=9>> (Year: 2018).\*

\* cited by examiner

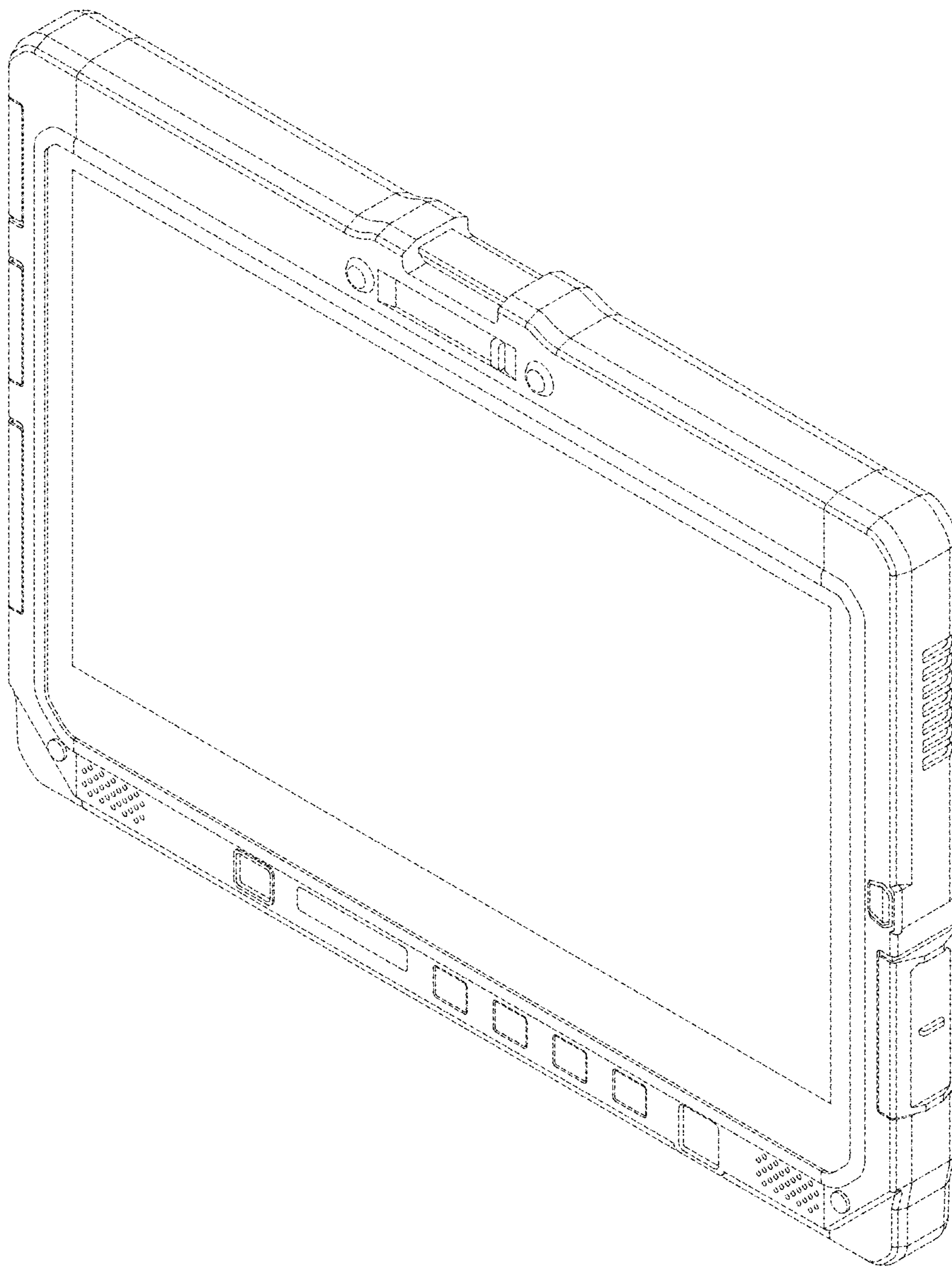


FIG. 1



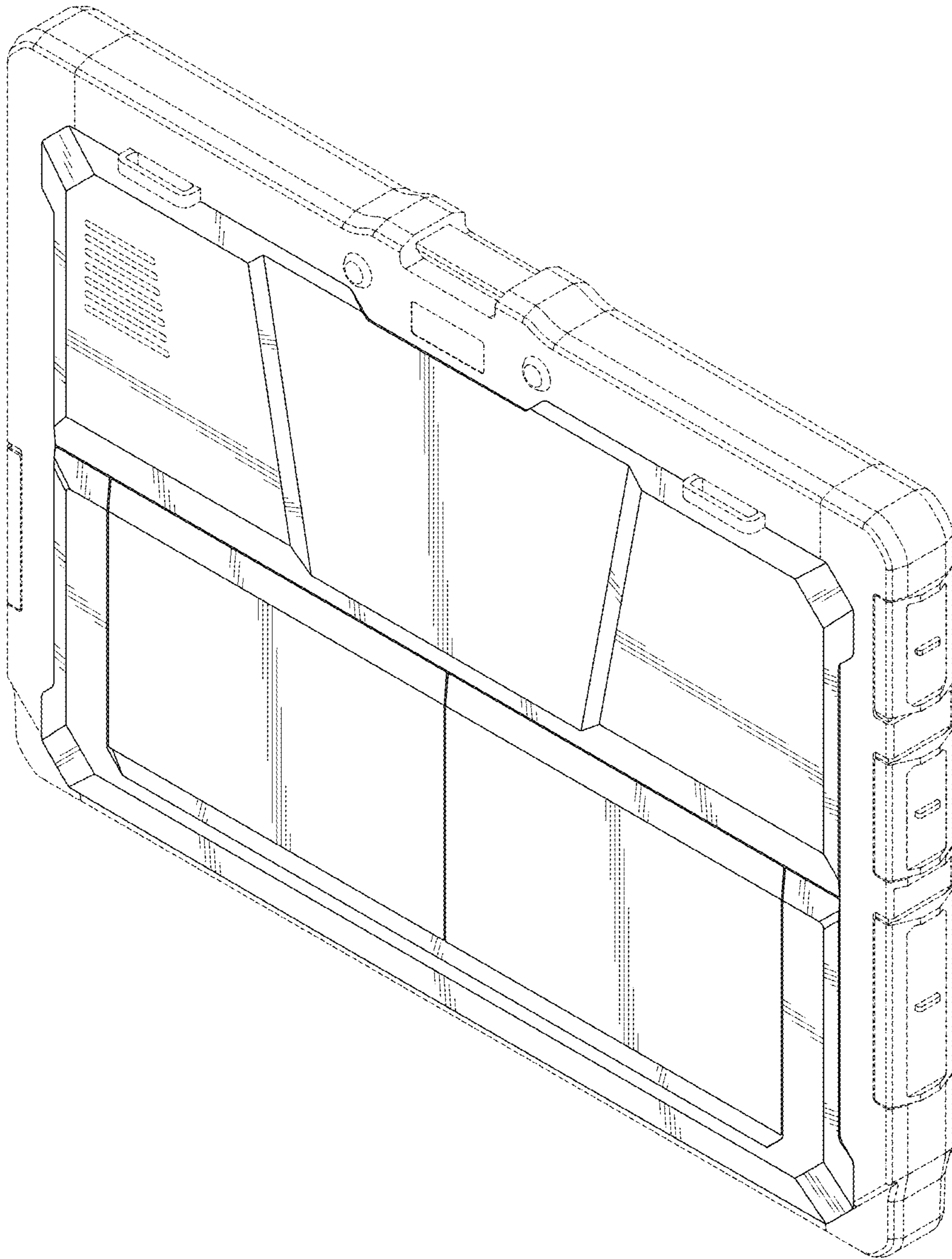


FIG. 2

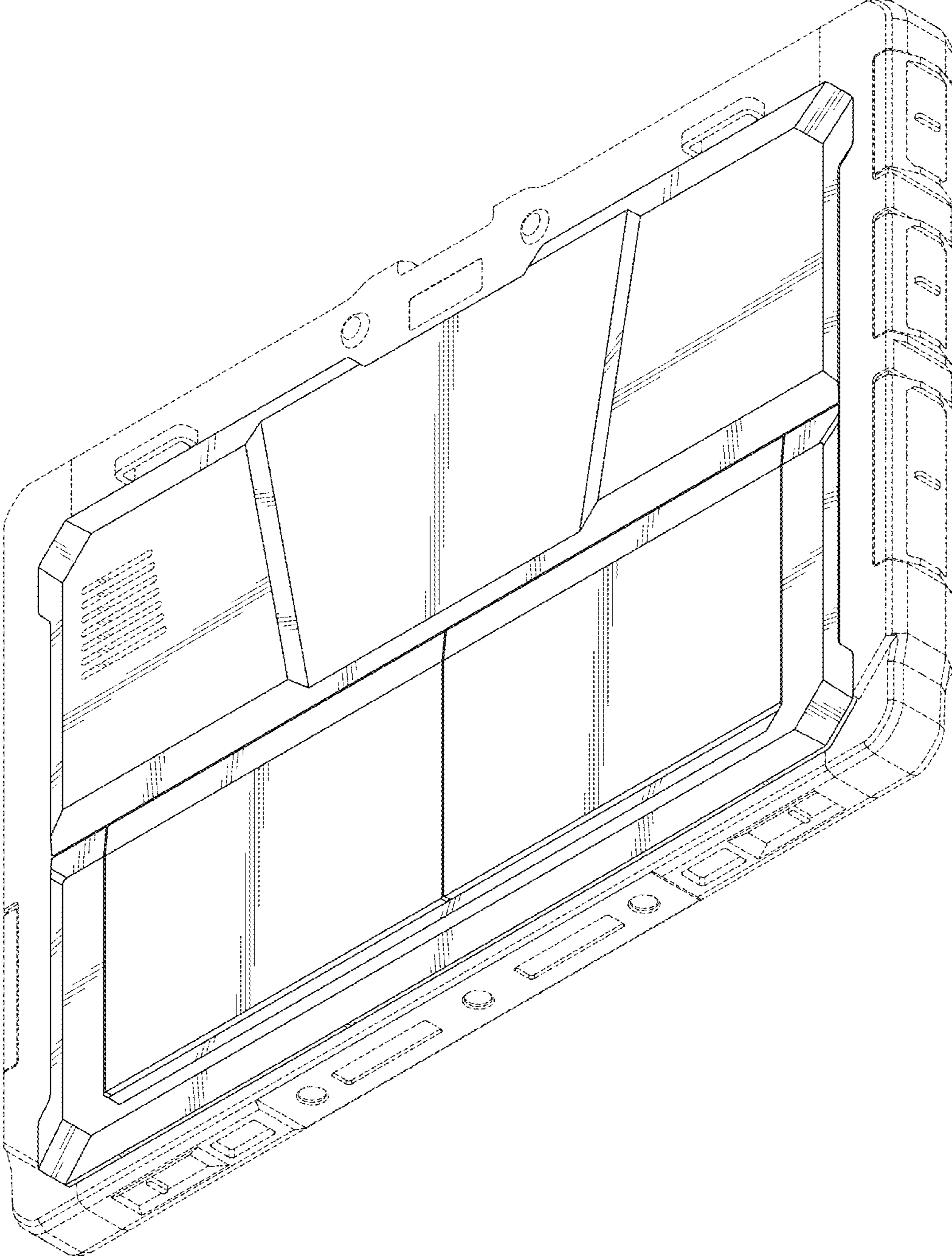


FIG. 3

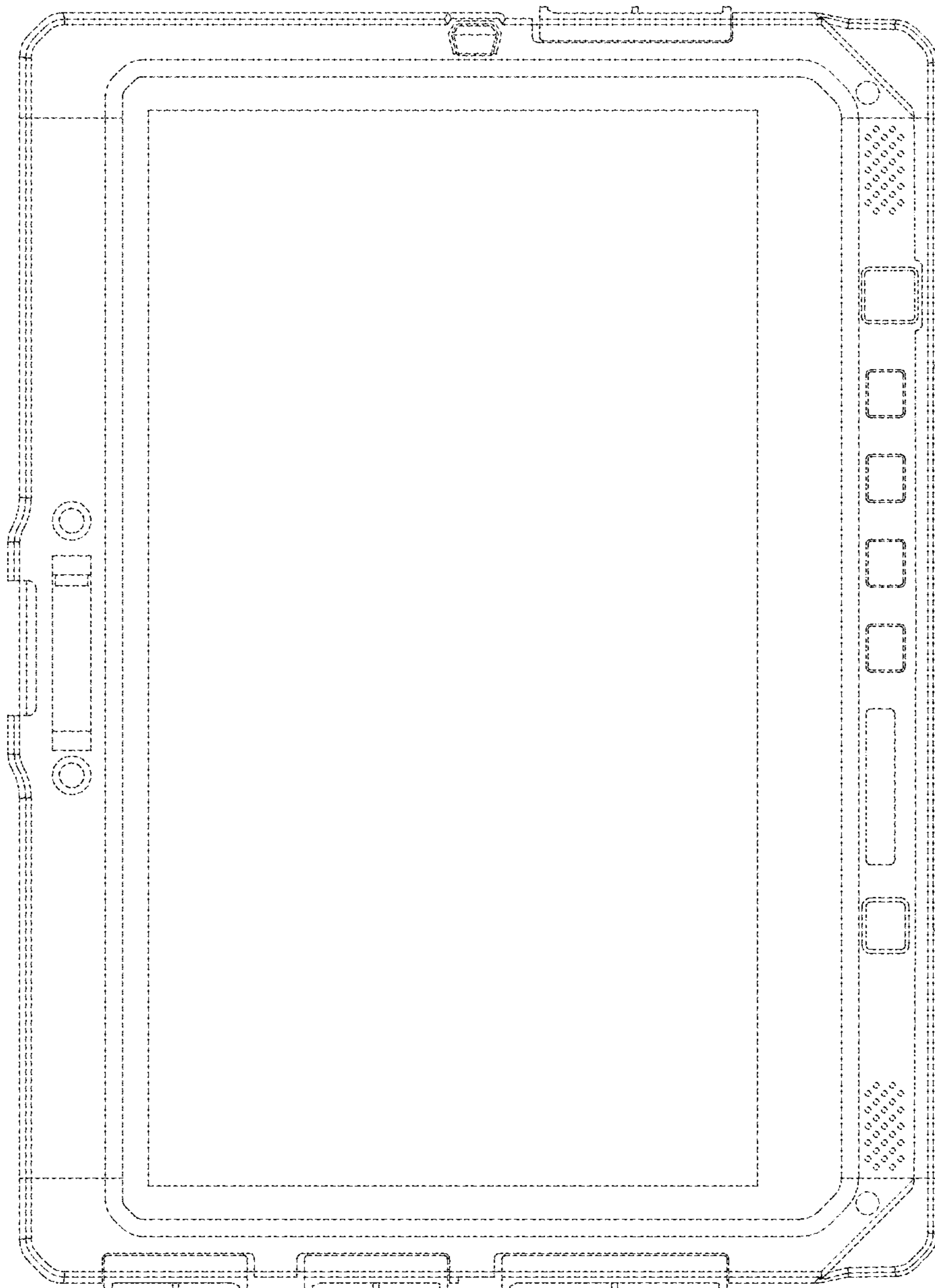


FIG. 4

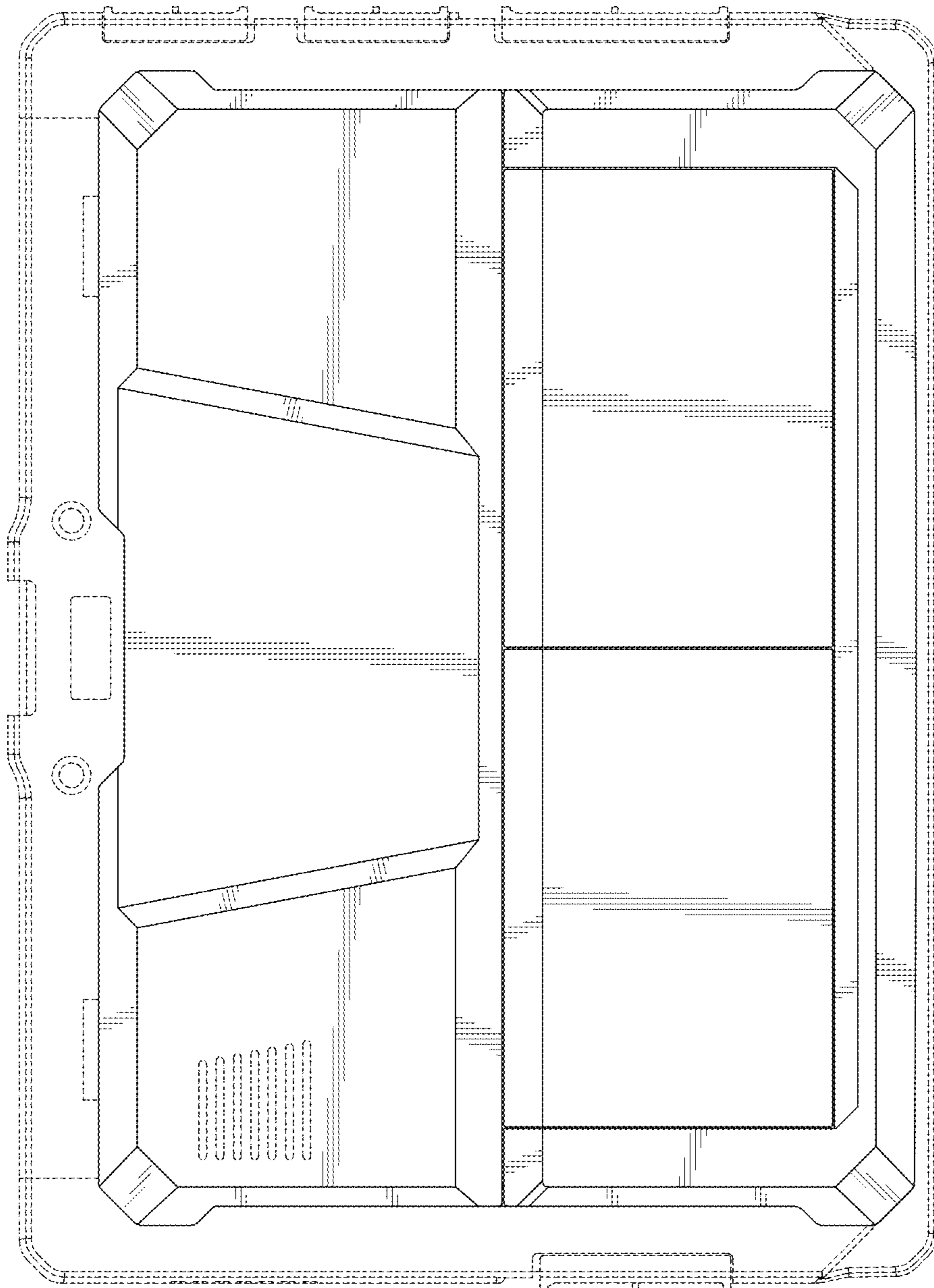


FIG. 5

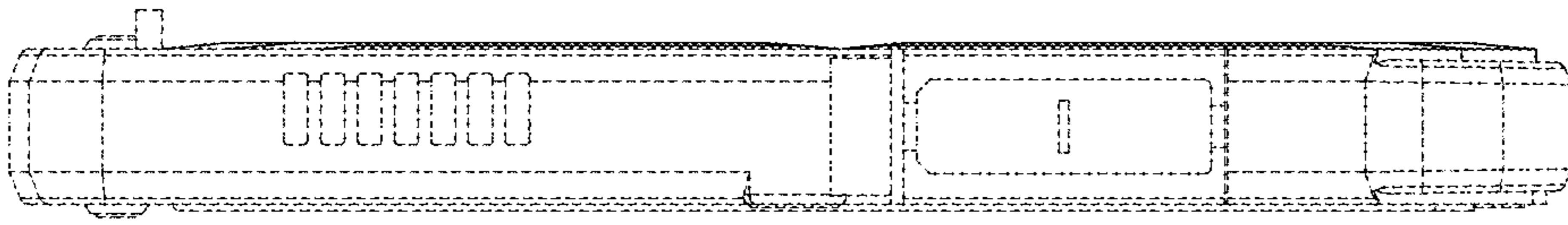


FIG. 6

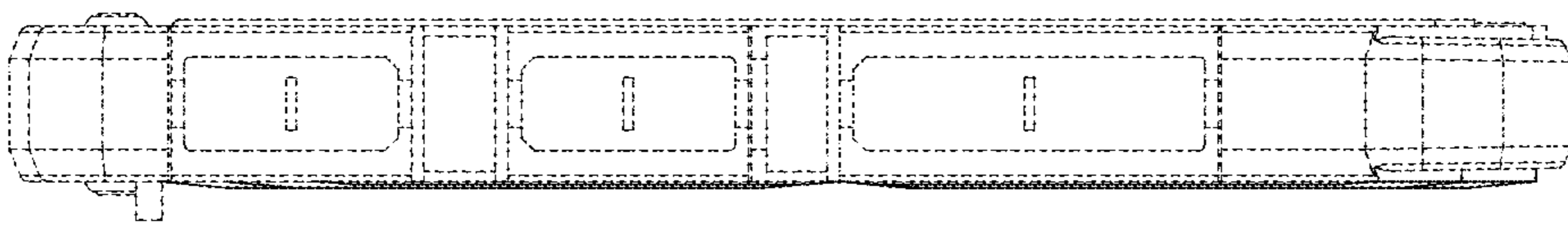


FIG. 7



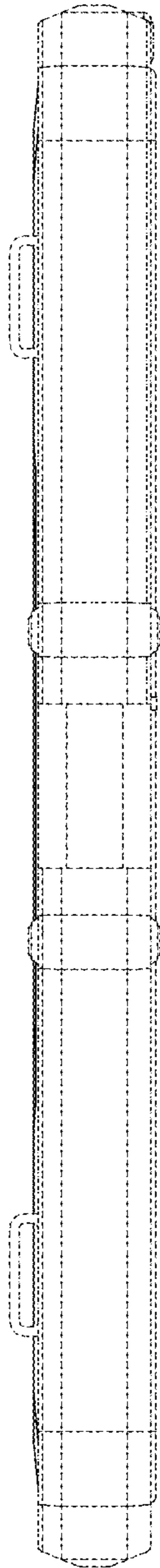


FIG. 8

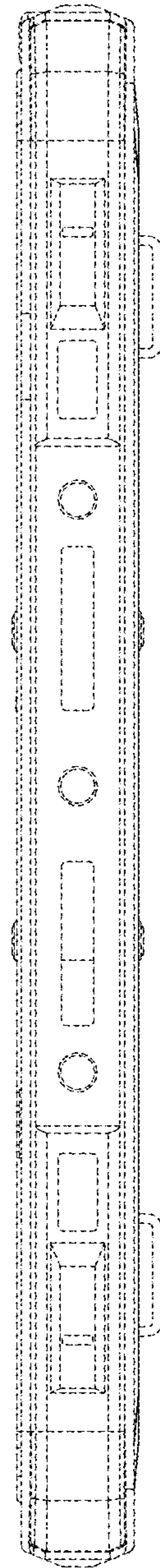


FIG. 9