



US00D922369S

(12) **United States Design Patent**  
**Hirvesaar**

(10) **Patent No.:** **US D922,369 S**  
(45) **Date of Patent:** **\*\* Jun. 15, 2021**

(54) **AUTOMATED PARCEL TERMINAL**

(71) Applicant: **Cleveron AS**, Viljandi (EE)

(72) Inventor: **Lauri Hirvesaar**, Tallinn (EE)

(\*\*) Term: **15 Years**

(21) Appl. No.: **29/707,104**

(22) Filed: **Sep. 26, 2019**

(30) **Foreign Application Priority Data**

Apr. 10, 2019 (EM) ..... 006372447-0001

(51) **LOC (13) Cl.** ..... **14-02**

(52) **U.S. Cl.**  
USPC ..... **D14/307**

(58) **Field of Classification Search**  
USPC ..... D14/302-307, 900-902; D13/163;  
D20/10; D21/332, 325, 369, 370;  
D99/28; D6/397, 466; 194/206;  
361/679.01, 679.02, 679.04, 679.21,  
361/679.57, 725  
CPC ..... G06Q 20/18; G06Q 20/10; G06Q 20/123;  
G06Q 20/20; G06Q 30/02; G06Q 30/06;  
A47F 9/047

See application file for complete search history.

(56) **References Cited**

**U.S. PATENT DOCUMENTS**

D532,417 S \* 11/2006 Becker ..... D14/307  
D639,801 S \* 6/2011 Kuroda ..... D14/307

D690,293 S \* 9/2013 Wilson ..... D14/307  
D705,213 S \* 5/2014 Smith ..... D14/307  
D713,840 S \* 9/2014 Daniel ..... D14/307  
D734,314 S \* 7/2015 Swaine ..... D14/307  
D782,466 S \* 3/2017 Yopez ..... D14/307  
D788,098 S \* 5/2017 Thornton ..... D14/307  
D820,824 S \* 6/2018 Thornton ..... D14/307  
D864,193 S \* 10/2019 Oosawa ..... D14/307  
D881,503 S \* 4/2020 Hirvesaar ..... D99/28  
D912,655 S \* 3/2021 Ahn ..... D14/307

\* cited by examiner

*Primary Examiner* — Austin Murphy

(74) *Attorney, Agent, or Firm* — Meunier Carlin & Curfman LLC

(57) **CLAIM**

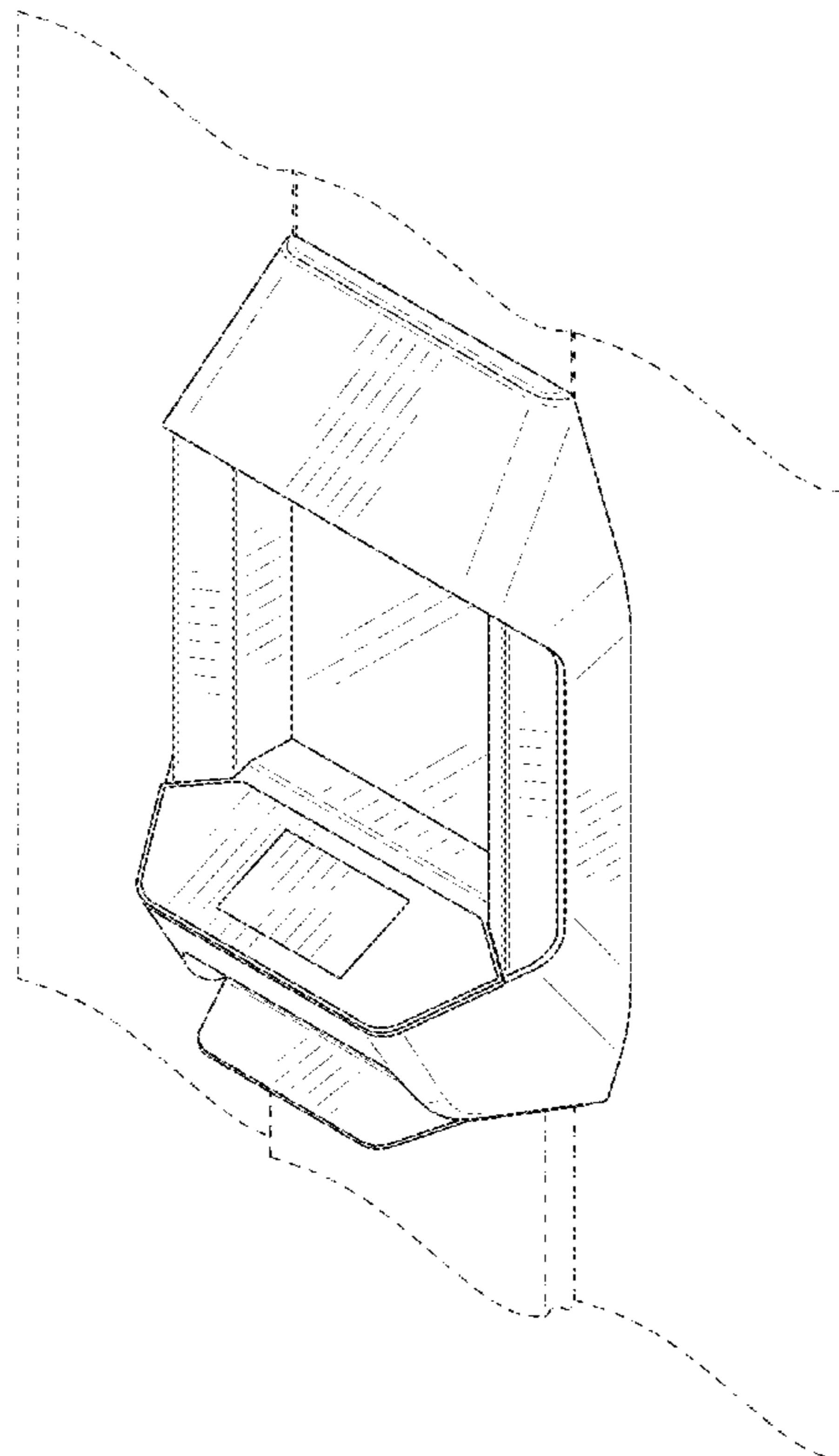
I claim the ornamental design of the automated parcel terminal, as shown and described.

**DESCRIPTION**

FIG. 1 is a zoomed-out perspective view of the automated parcel terminal, showing my new design;  
FIG. 2 is close-up perspective view thereof;  
FIG. 3 is a different perspective view;  
FIG. 4 is a front view thereof;  
FIG. 5 is a top plan view thereof;  
FIG. 6 is a bottom plan view thereof; and,  
FIG. 7 is a side view thereof, the opposite side being a mirror image thereof.

The broken line portions of the figure drawings are included to show portions of the article that form no part of the claimed design.

**1 Claim, 6 Drawing Sheets**



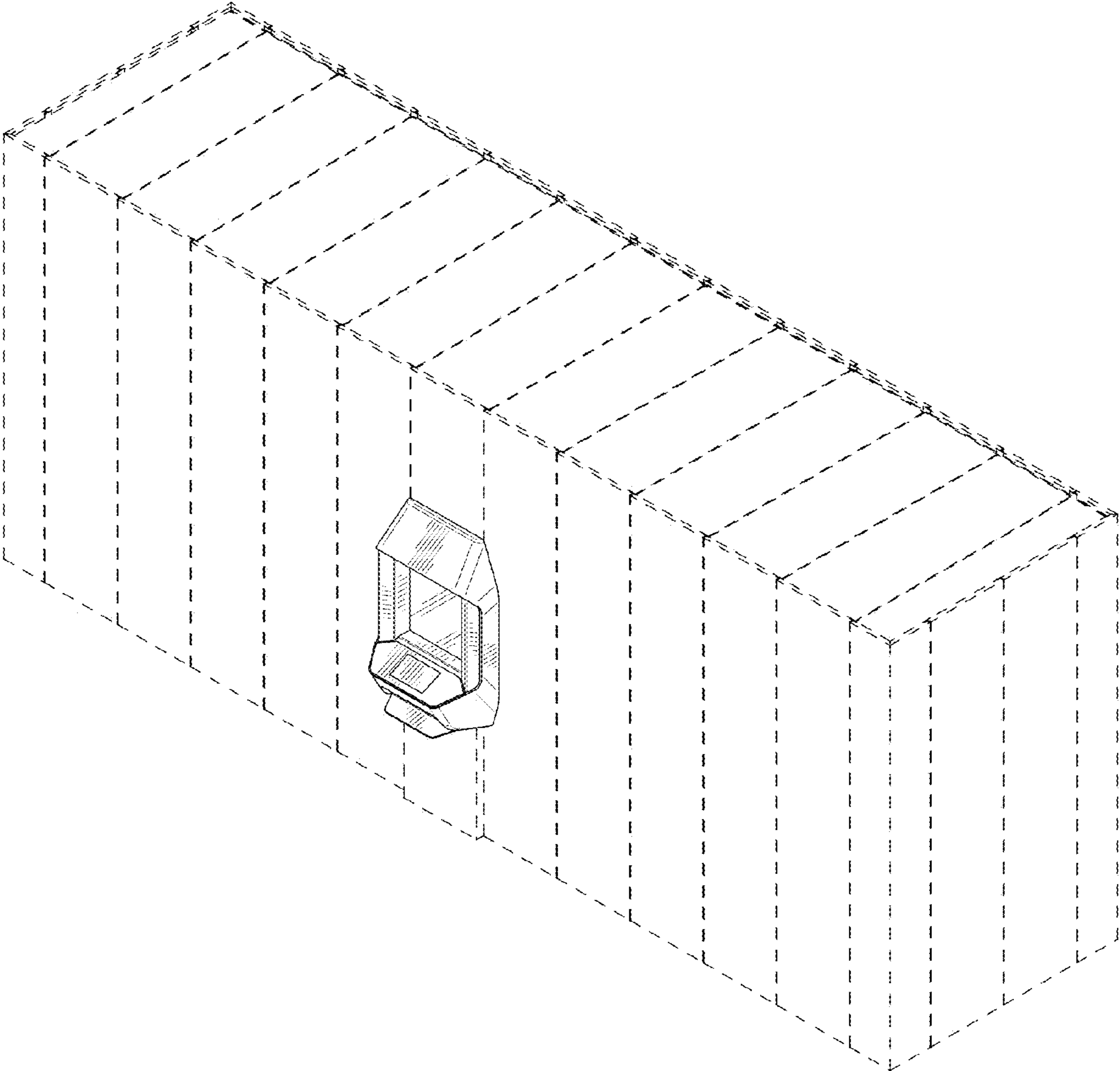


FIG. 1

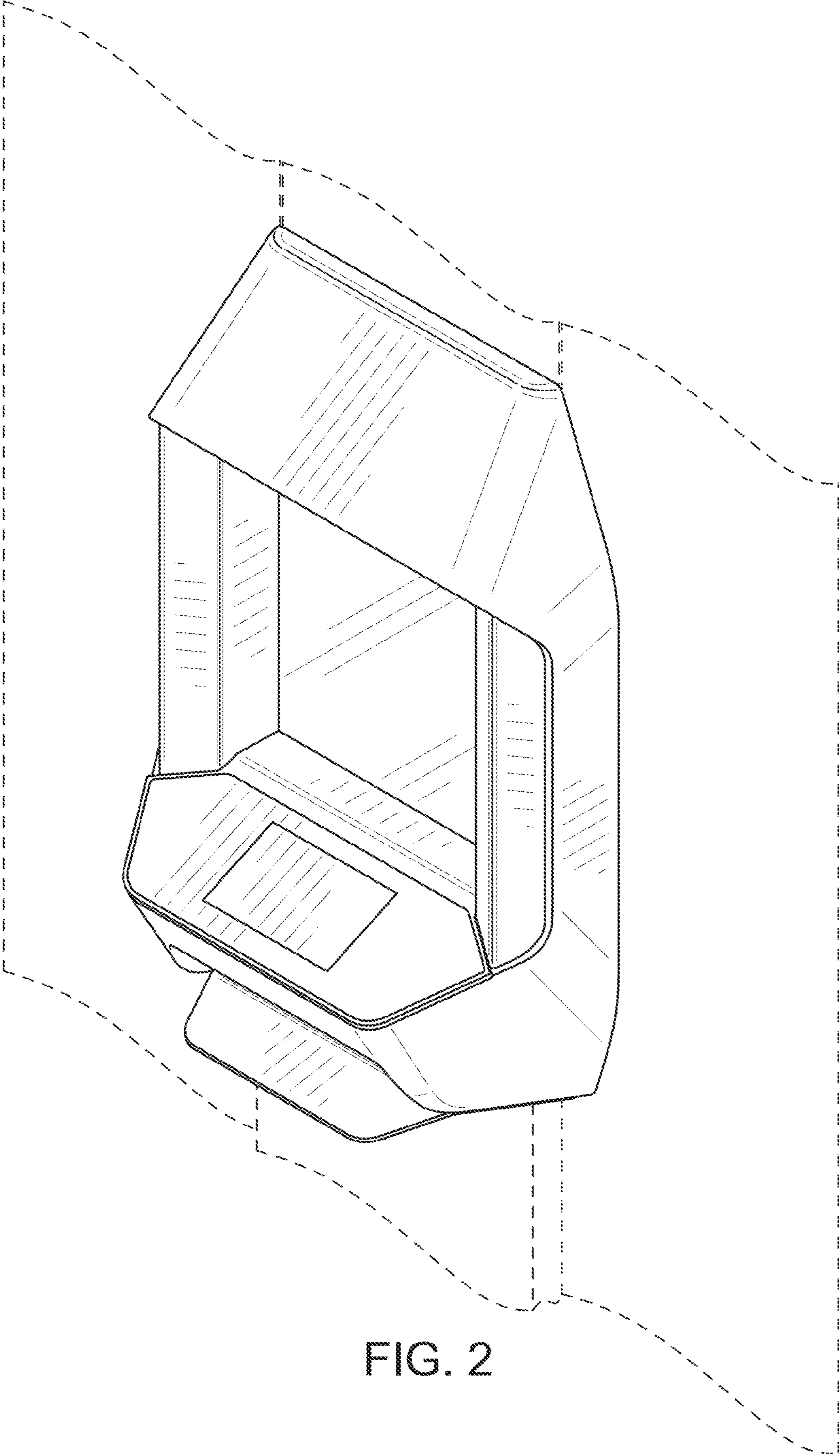


FIG. 2

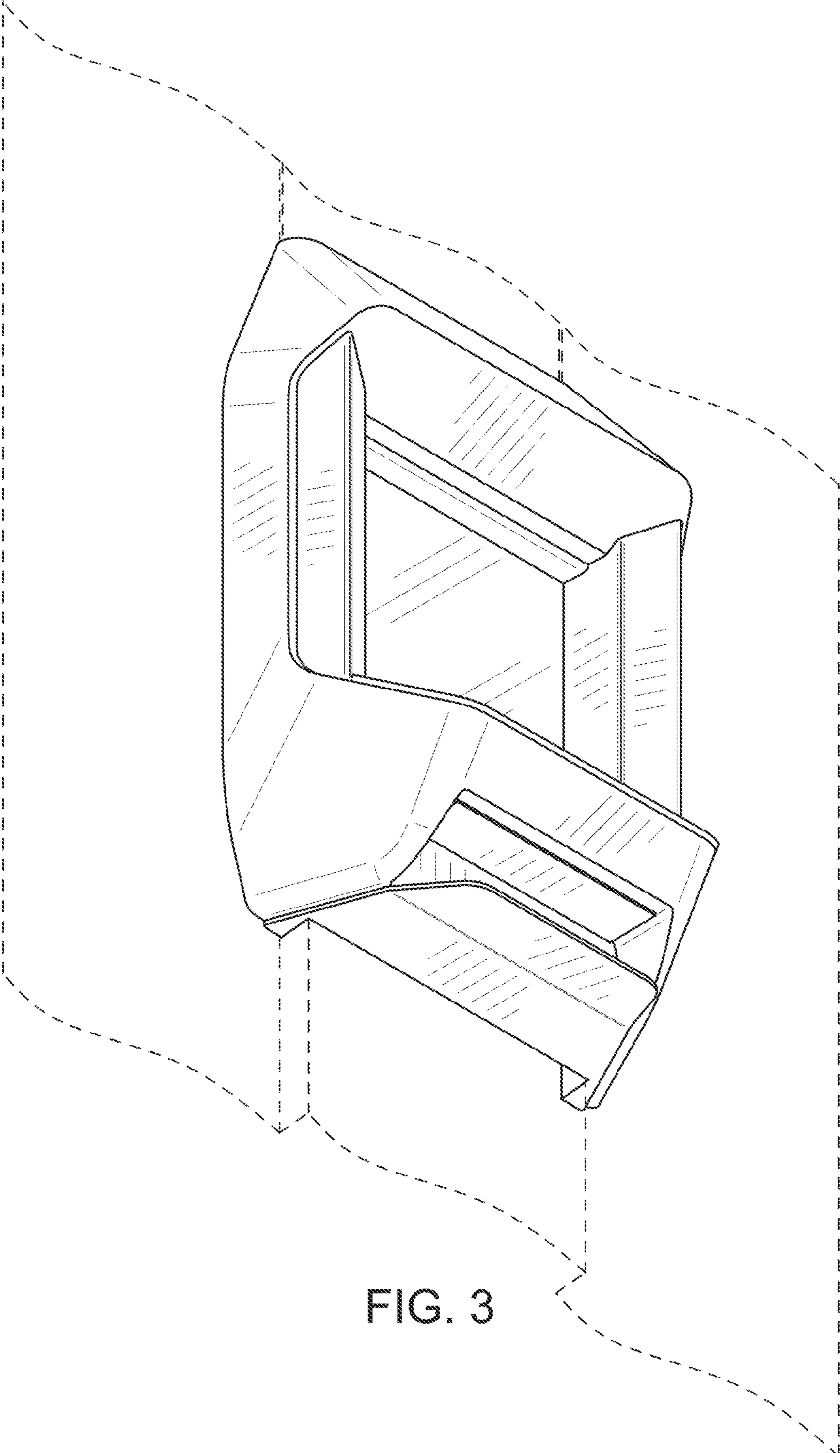


FIG. 3

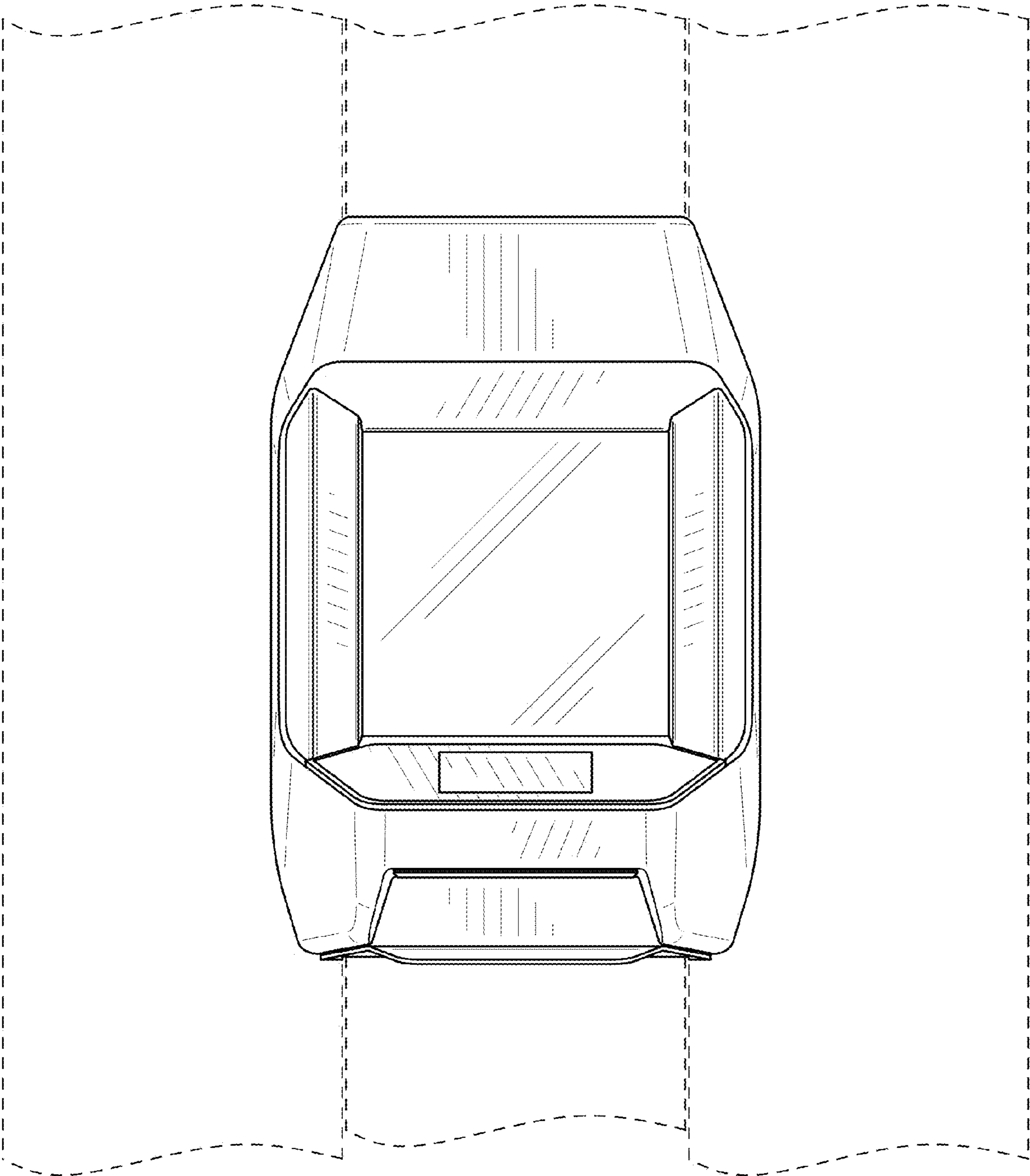


FIG. 4

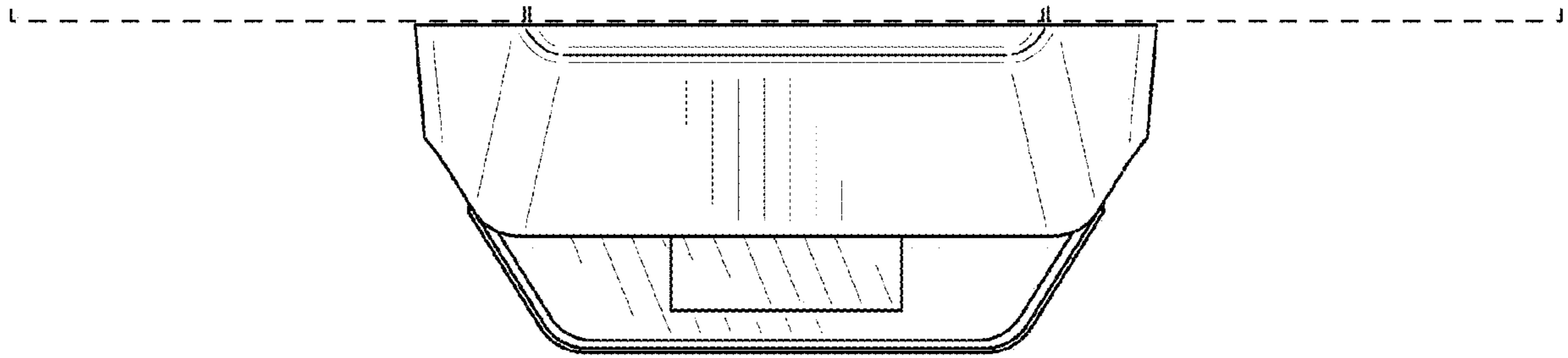


FIG. 5

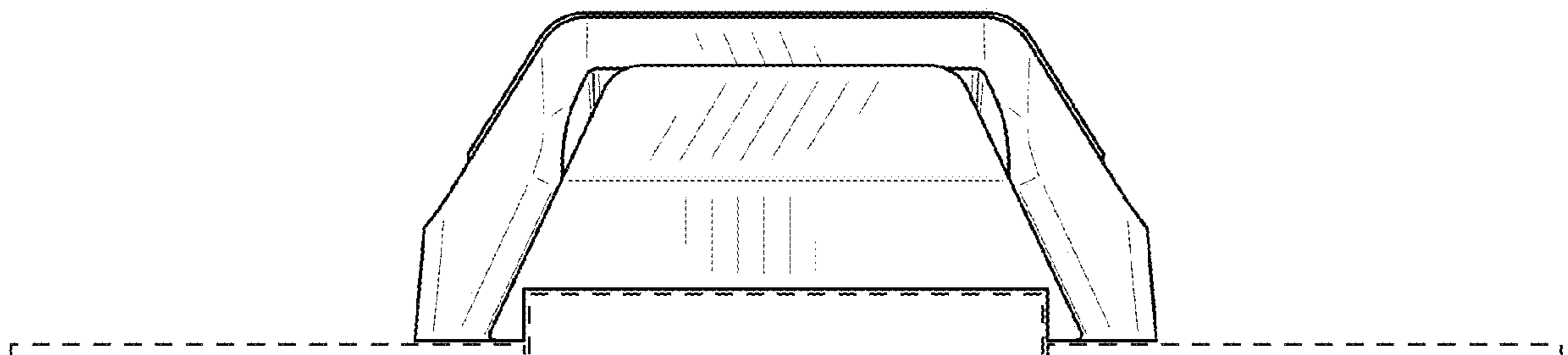


FIG. 6

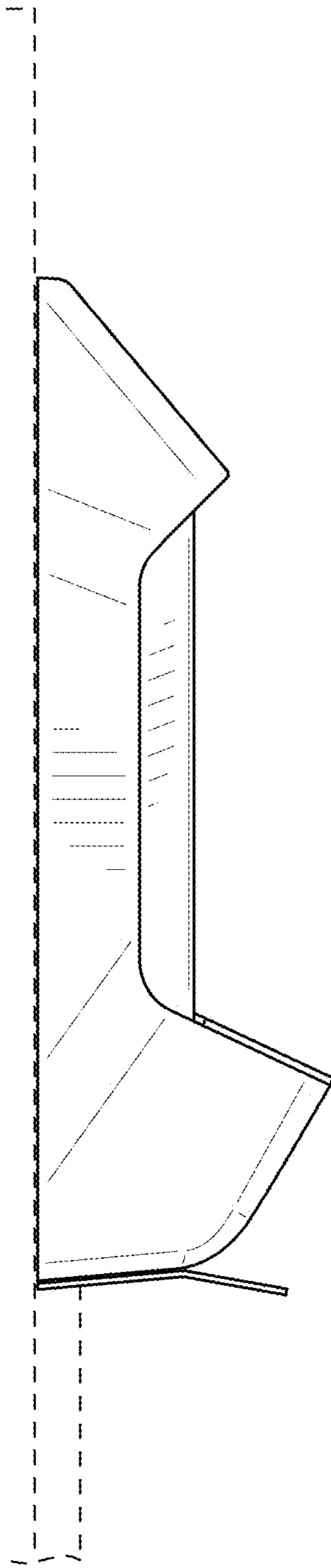


FIG. 7