



US00D922367S

(12) **United States Design Patent**
Garbelman et al.

(10) **Patent No.:** **US D922,367 S**
(45) **Date of Patent:** **** Jun. 15, 2021**

(54) **ROUTER**

(71) Applicant: **CenturyLink Intellectual Property LLC, Broomfield, CO (US)**

(72) Inventors: **Glenn Garbelman, Monroe, LA (US); Kenchen Phillips, Calhoun, LA (US); Rod Imbriani, Littleton, CO (US)**

(73) Assignee: **CenturyLink Intellectual Property LLC, Broomfield, CO (US)**

(**) Term: **15 Years**

(21) Appl. No.: **29/702,134**

(22) Filed: **Aug. 16, 2019**

(51) **LOC (13) Cl.** **14-03**

(52) **U.S. Cl.**
USPC **D14/242**

(58) **Field of Classification Search**
USPC D14/240, 242, 357, 358, 140-140.9, 155, D14/125, 137, 139, 243, 348, 349, 351, D14/354, 355, 204, 496
CPC H04L 12/00; H03K 17/00; H04W 88/00; H04W 88/005; H04W 88/02; H04W 88/08; H04W 88/085; H04W 88/10; H04W 88/12; H04W 88/14; H04B 1/38
See application file for complete search history.

(56) **References Cited**

U.S. PATENT DOCUMENTS

D717,341 S	*	11/2014	Akana	D14/496
D729,809 S	*	5/2015	Akana	D14/439
D735,163 S	*	7/2015	Valeur	D14/216
D744,488 S	*	12/2015	Akana	D14/439
D780,728 S	*	3/2017	Shin	D14/242
D781,798 S	*	3/2017	Klepper	D14/125
D790,549 S	*	6/2017	Akana	D14/439
D797,087 S	*	9/2017	Burton	D14/242
D822,716 S	*	7/2018	Mangum	D14/496
D835,600 S	*	12/2018	Weiss	D14/204

D840,436 S	*	2/2019	Demin	D14/496
D841,632 S	*	2/2019	Eun	D14/242
D843,418 S	*	3/2019	Demin	D14/496
D853,998 S	*	7/2019	Hasegawa	D14/242
D855,564 S	*	8/2019	Brennan	D13/108
D856,318 S	*	8/2019	Ramones	D14/242

(Continued)

FOREIGN PATENT DOCUMENTS

CN	303415606	*	10/2015
CN	304933611	*	12/2018
EM	005521002-0001	*	11/2018

OTHER PUBLICATIONS

AZORES AX1500 Smart WiFi, First Available May 20, 2020, [online], [retrieved on Feb. 11, 2021], Retrieved from Internet, <URL: https://www.amazon.com/AZORES-AX1500-Router-MU-MIMO-Wireless/dp/B088WRCFKJ/ref=sr_1_151_sspa?crd=2UBW83L9EOBZR&dchild=1&keywords=routers+for+wireless+internet&qid=1613093102&sprefix=router%>>.*

Primary Examiner — Bridget L Eland

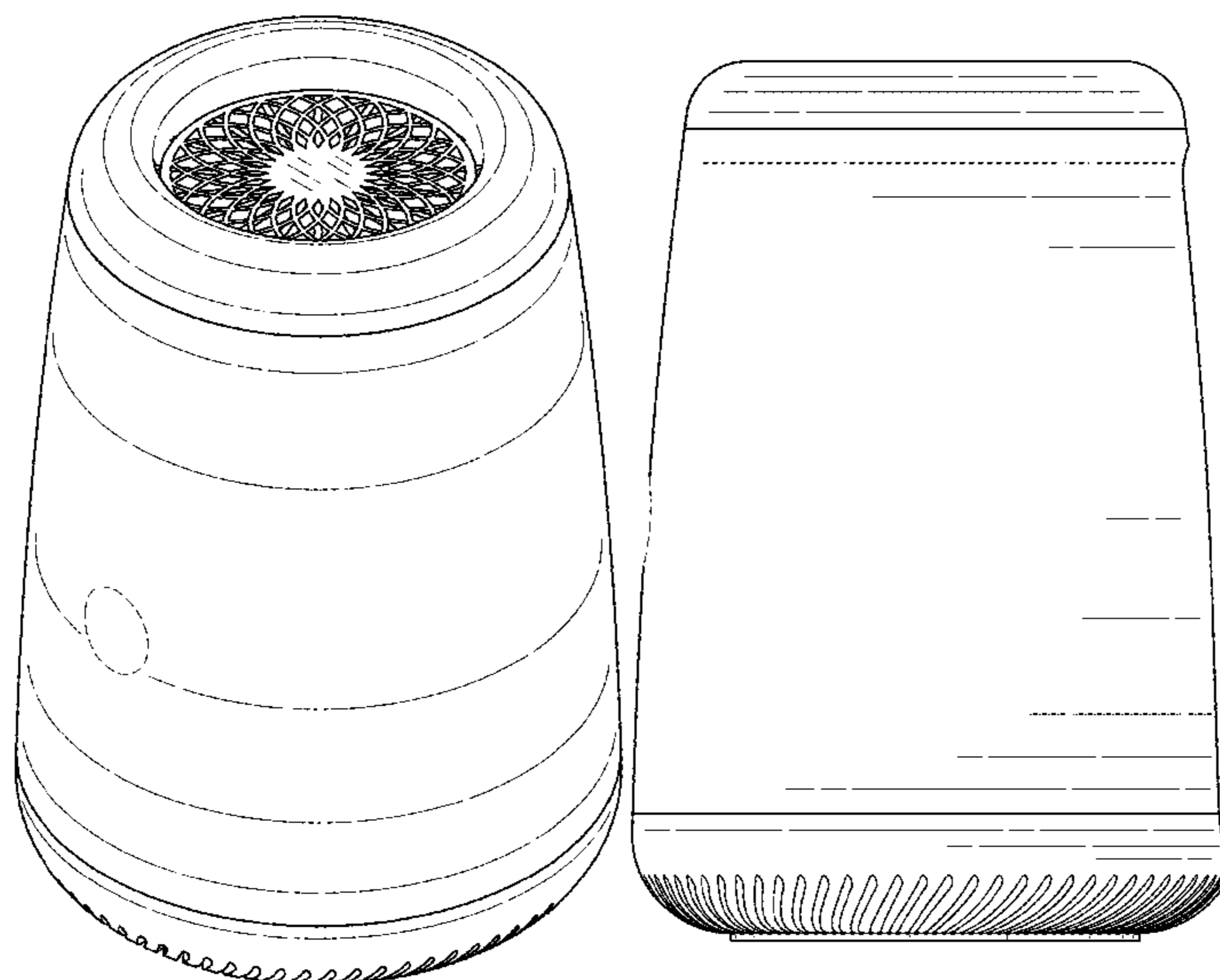
(57) **CLAIM**

The ornamental design for a router, as shown and described.

DESCRIPTION

FIG. 1 is a top perspective view of a router according to the present invention. FIG. 2 is a bottom perspective view of the router of FIG. 1; FIG. 3 is a front elevation view of the router of FIG. 1; FIG. 4 is a rear elevation view of the router of FIG. 1; FIG. 5 is a right side elevation view of the router of FIG. 1; FIG. 6 is a left side elevation view of the router of FIG. 1; FIG. 7 is a top plan view of the router of FIG. 1; and, FIG. 8 is a bottom plan view of the router of FIG. 1. The broken lines represent portions of the structure that form no part of the claimed design.

1 Claim, 8 Drawing Sheets



(56)

References Cited

U.S. PATENT DOCUMENTS

D862,436 S *	10/2019	Ramones	D14/242
D864,929 S *	10/2019	Laurans	D14/240
D864,931 S *	10/2019	Fahlgren	D14/242
D873,788 S *	1/2020	Demin	D14/204
D883,970 S *	5/2020	Wang	D14/242
D887,390 S *	6/2020	Weiss	D14/204
D890,006 S *	7/2020	Takano	D10/104.1
D893,457 S *	8/2020	Wei	D14/216
D905,049 S *	12/2020	Lu	D14/314
2016/0144233 A1 *	5/2016	Welker	G06K 9/00342 700/91

* cited by examiner

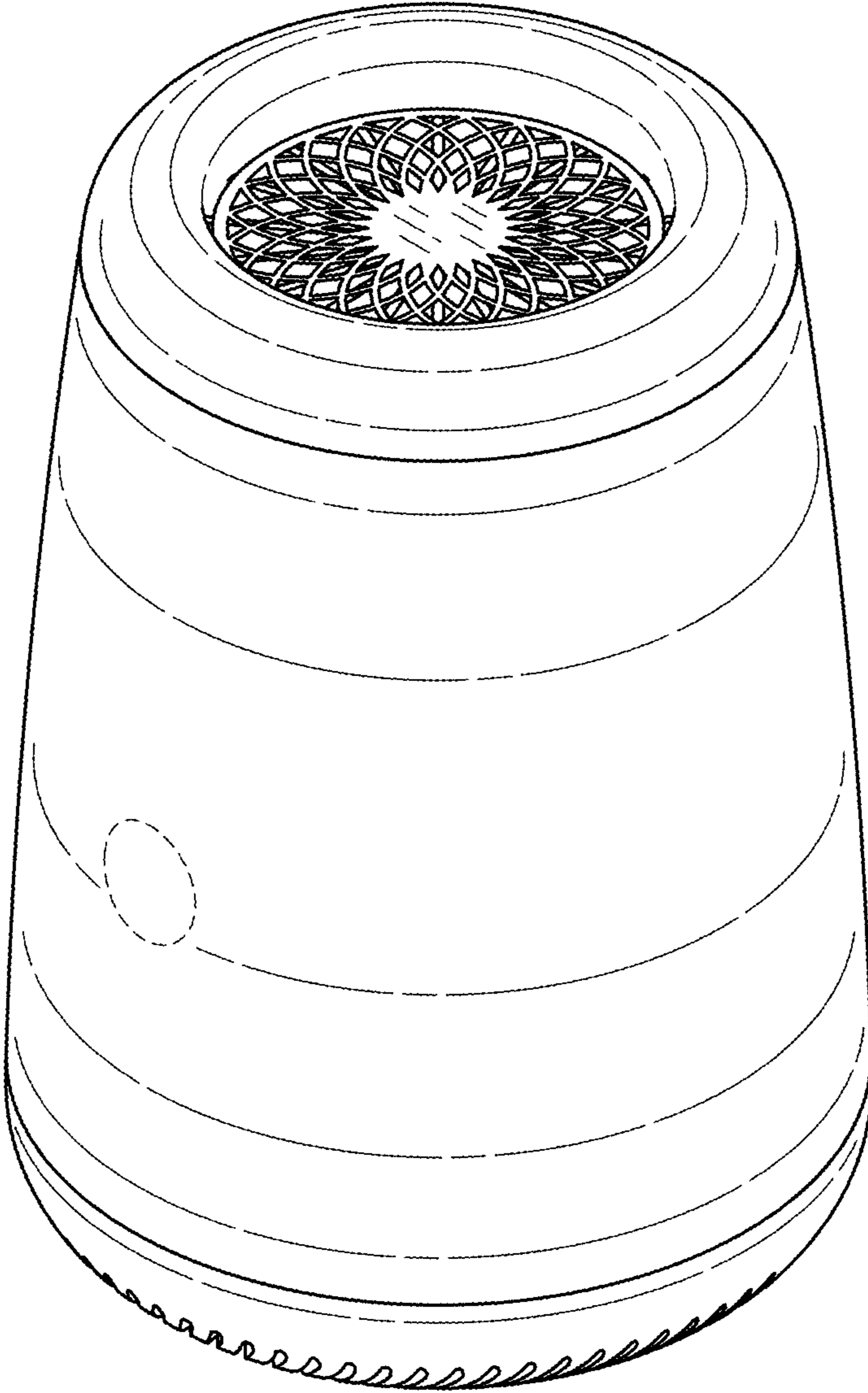


FIG.1

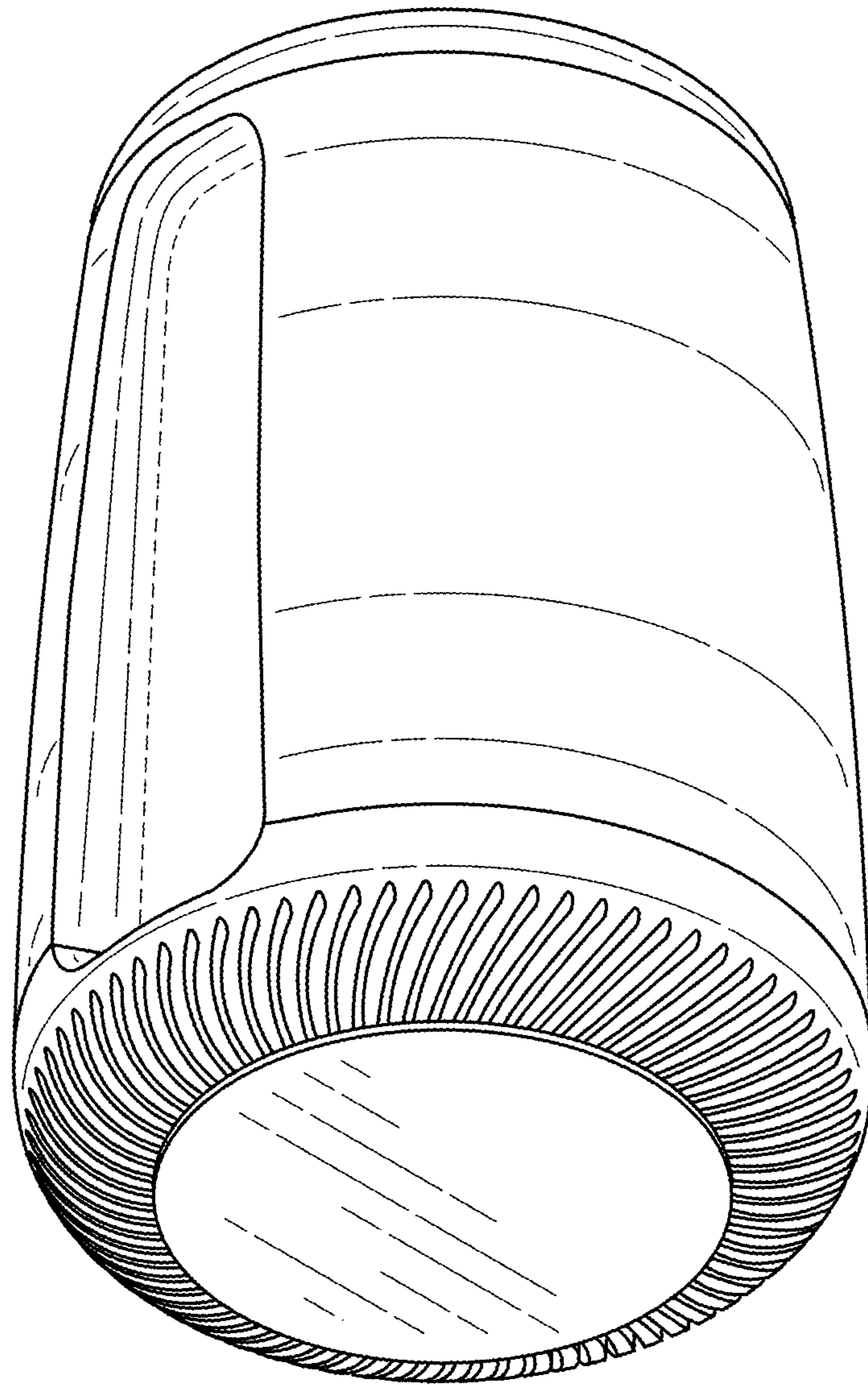


FIG.2

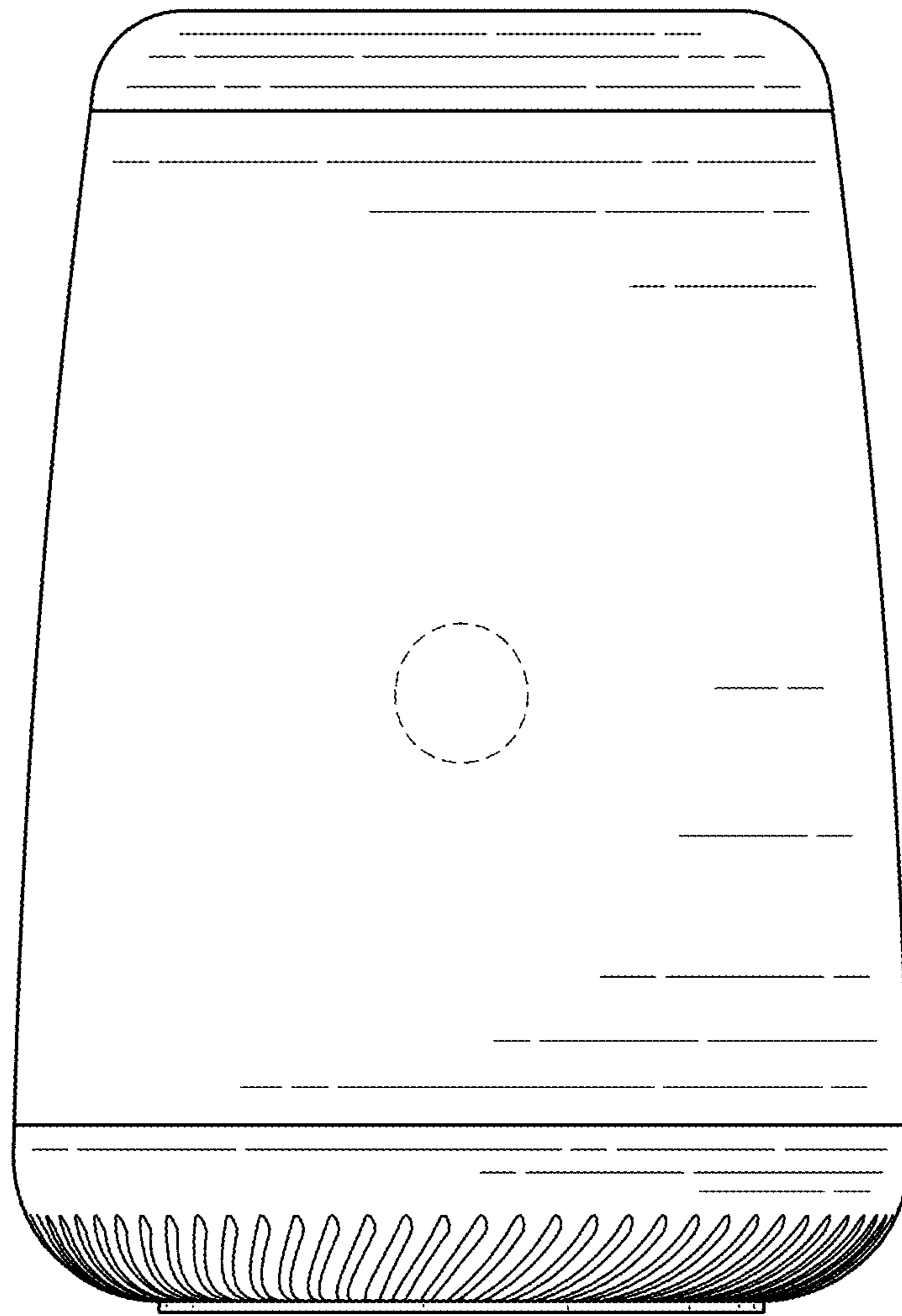


FIG.3

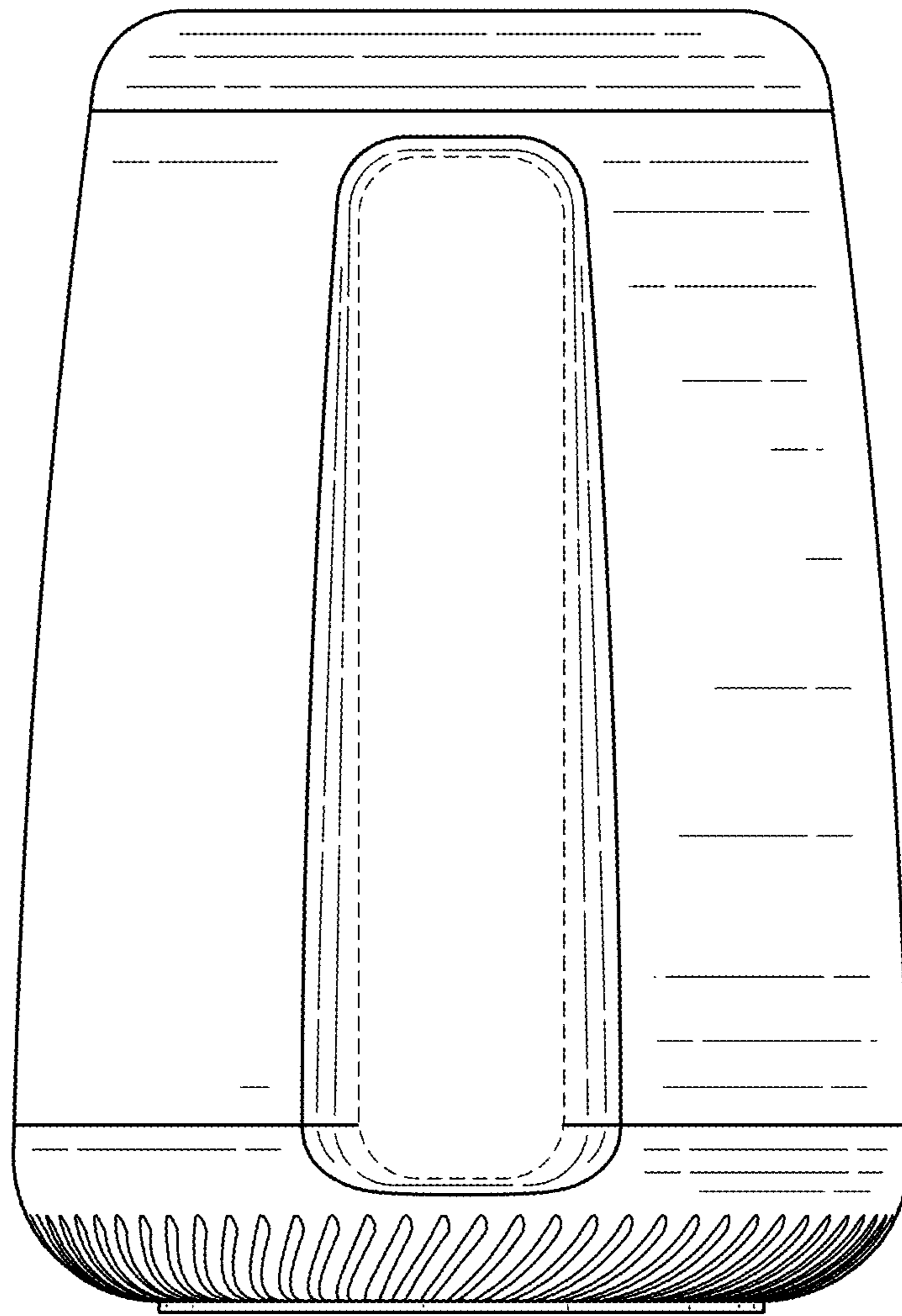


FIG.4

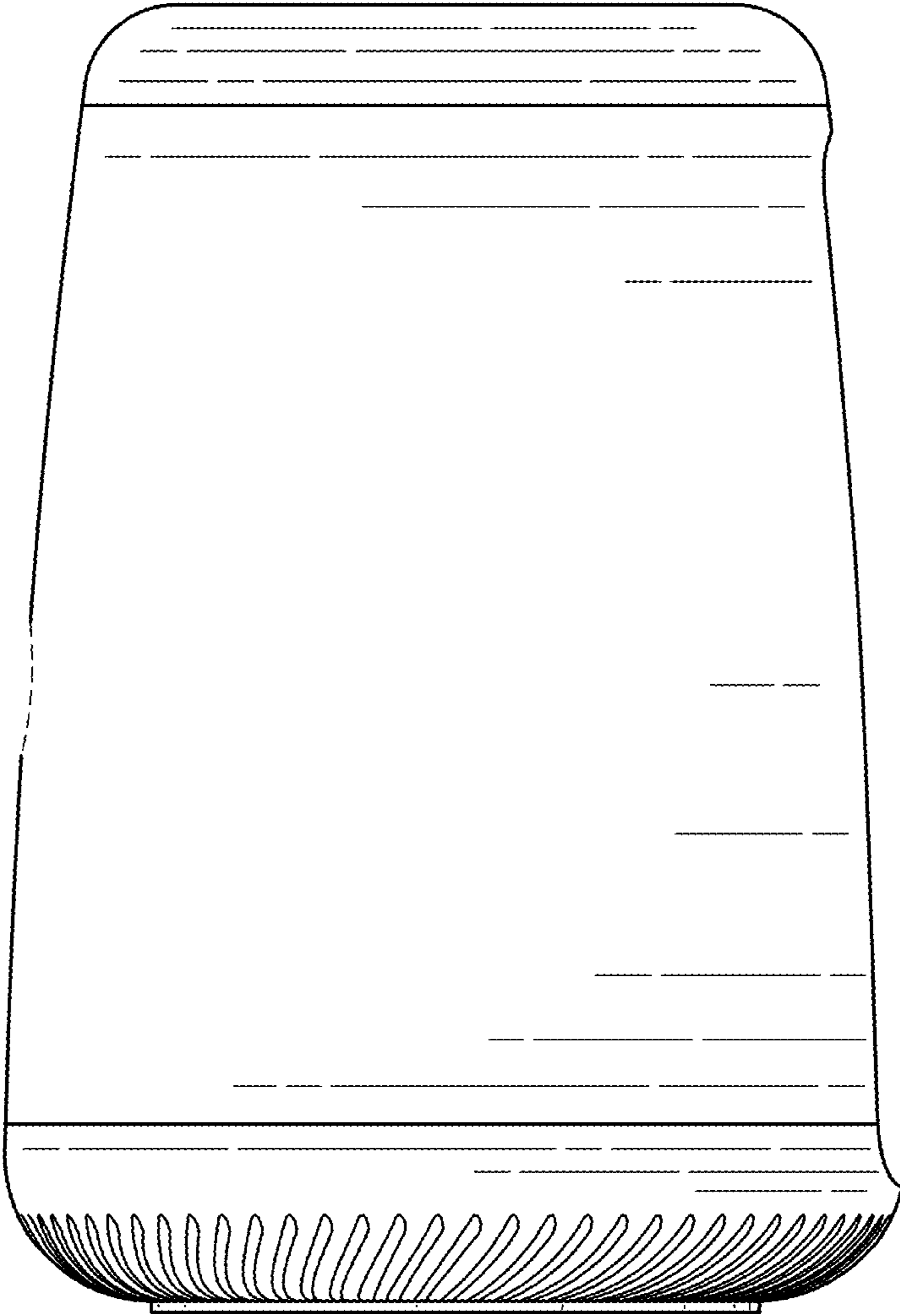


FIG.5

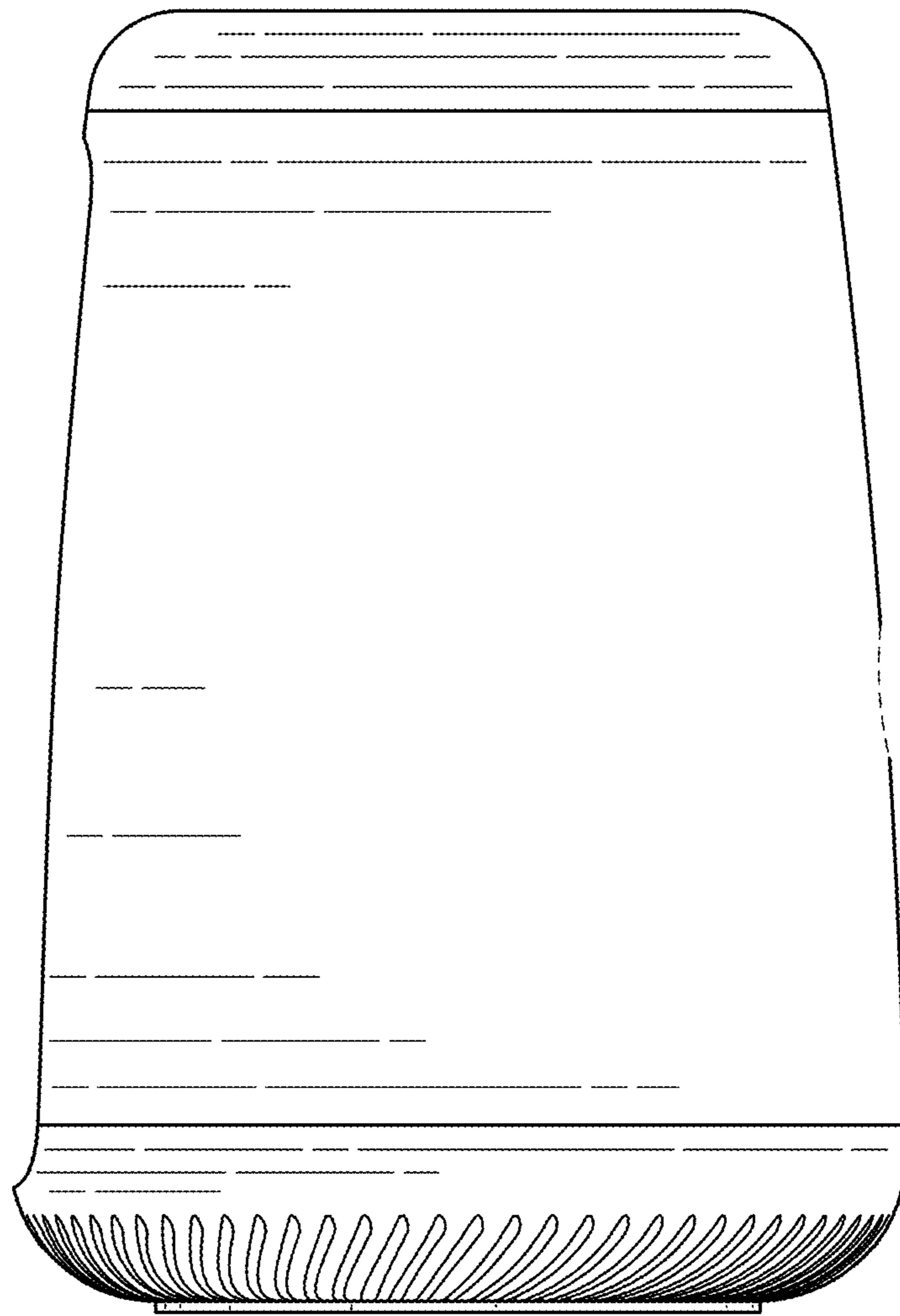


FIG.6

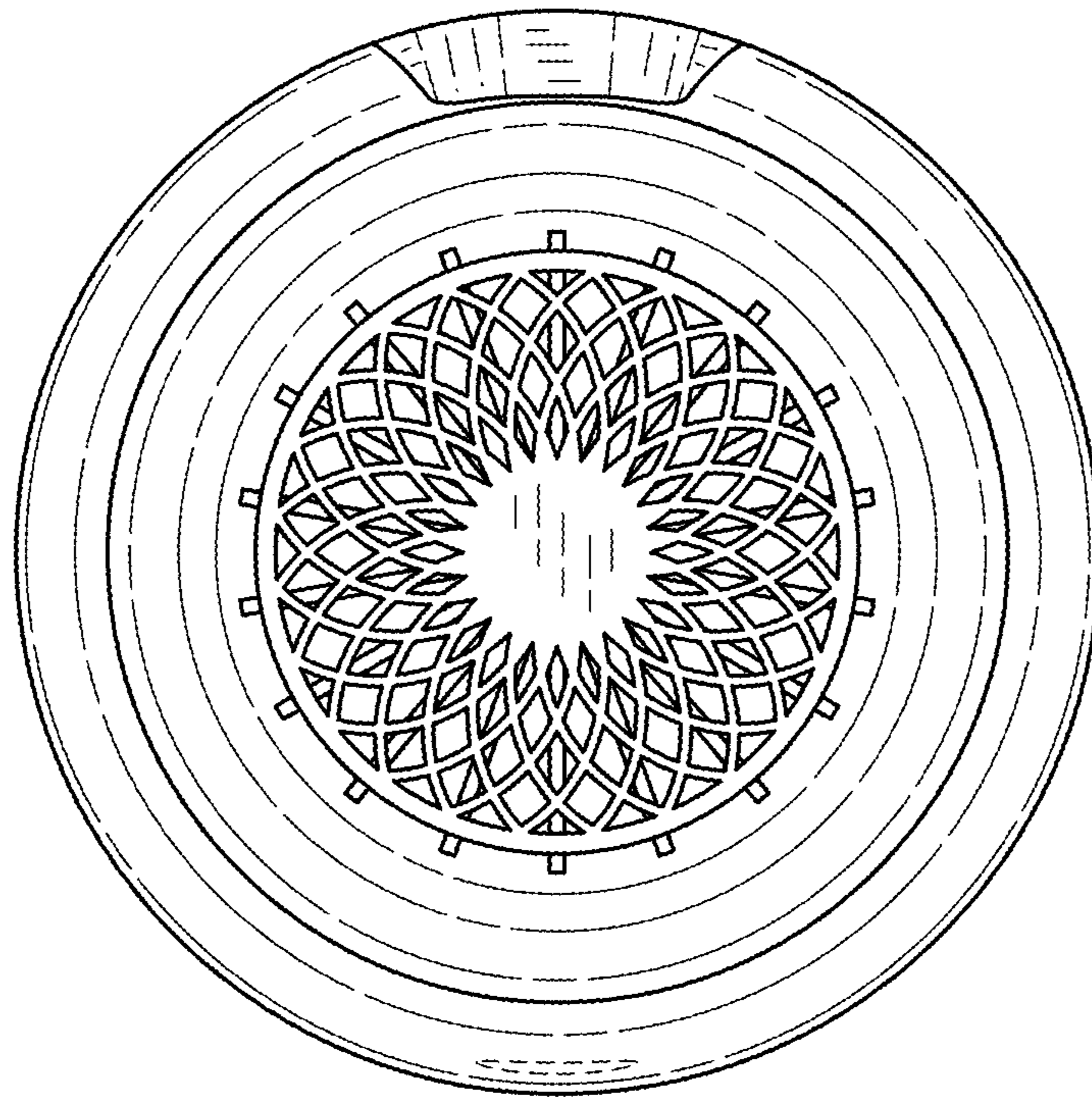


FIG.7

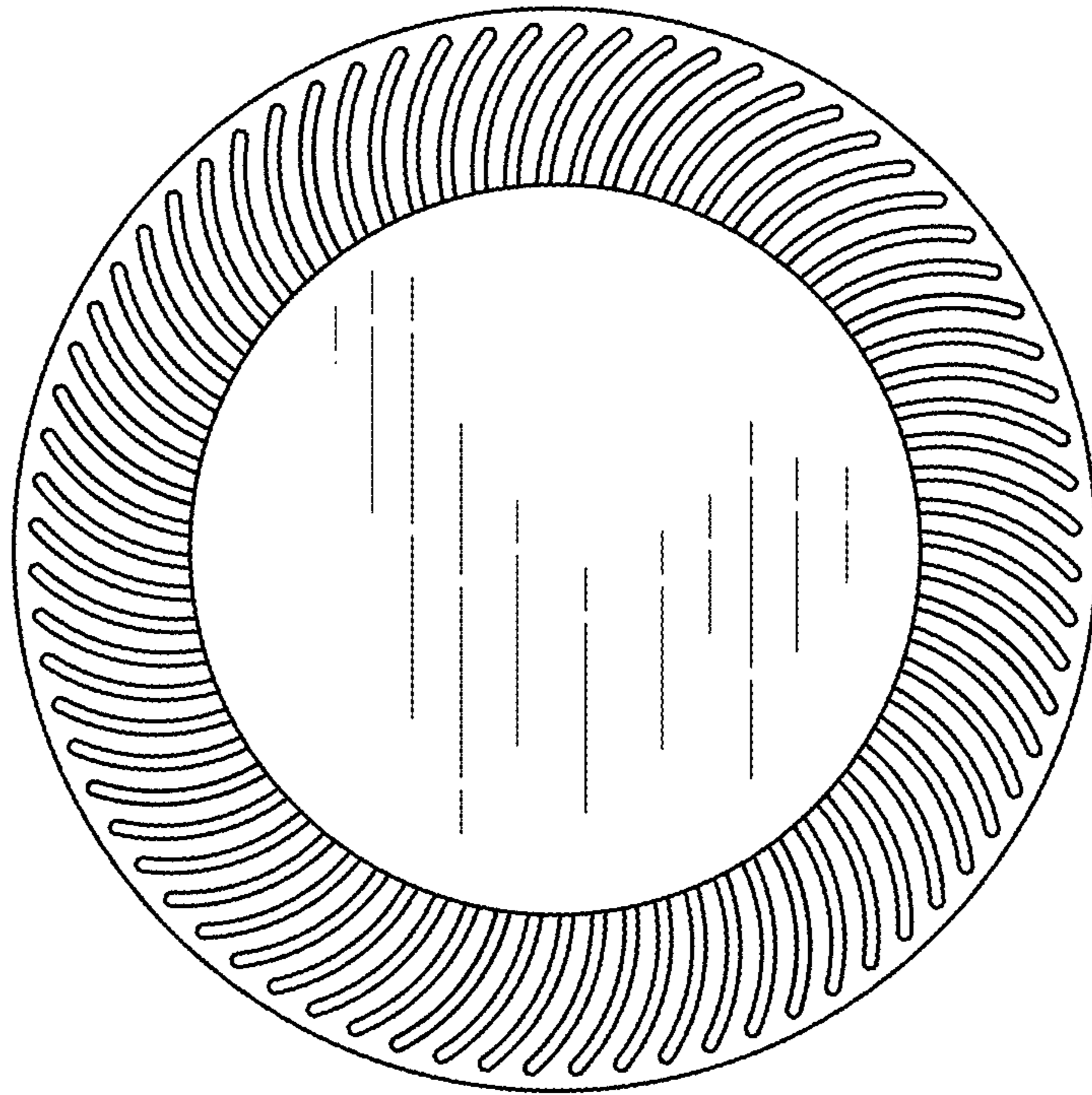


FIG.8